



US00D670474S

(12) **United States Design Patent**
Koch

(10) **Patent No.:** **US D670,474 S**

(45) **Date of Patent:** **** Nov. 6, 2012**

(54) **GUIDE RAIL FOR MOBILE CRANE**

(75) Inventor: **Timo Koch**, Reichshof (DE)

(73) Assignee: **eepos GmbH**, Wiehl (DE)

(**) Term: **14 Years**

(21) Appl. No.: **29/394,139**

(22) Filed: **Jun. 14, 2011**

(51) **LOC (9) Cl.** **12-05**

(52) **U.S. Cl.** **D34/35**

(58) **Field of Classification Search** D34/35,
D34/36; 52/118; 212/223, 303, 261, 347,
212/177

See application file for complete search history.

(56) **References Cited**

U.S. PATENT DOCUMENTS

4,003,168	A *	1/1977	Brady	52/118
5,082,128	A *	1/1992	Franzen et al.	212/347
D325,277	S *	4/1992	Abbestam et al.	D34/35
6,981,598	B1 *	1/2006	Rivera et al.	212/325
D611,673	S *	3/2010	Andrews et al.	D34/35

* cited by examiner

Primary Examiner — Doris Clark

(74) *Attorney, Agent, or Firm* — Andrew Wilford

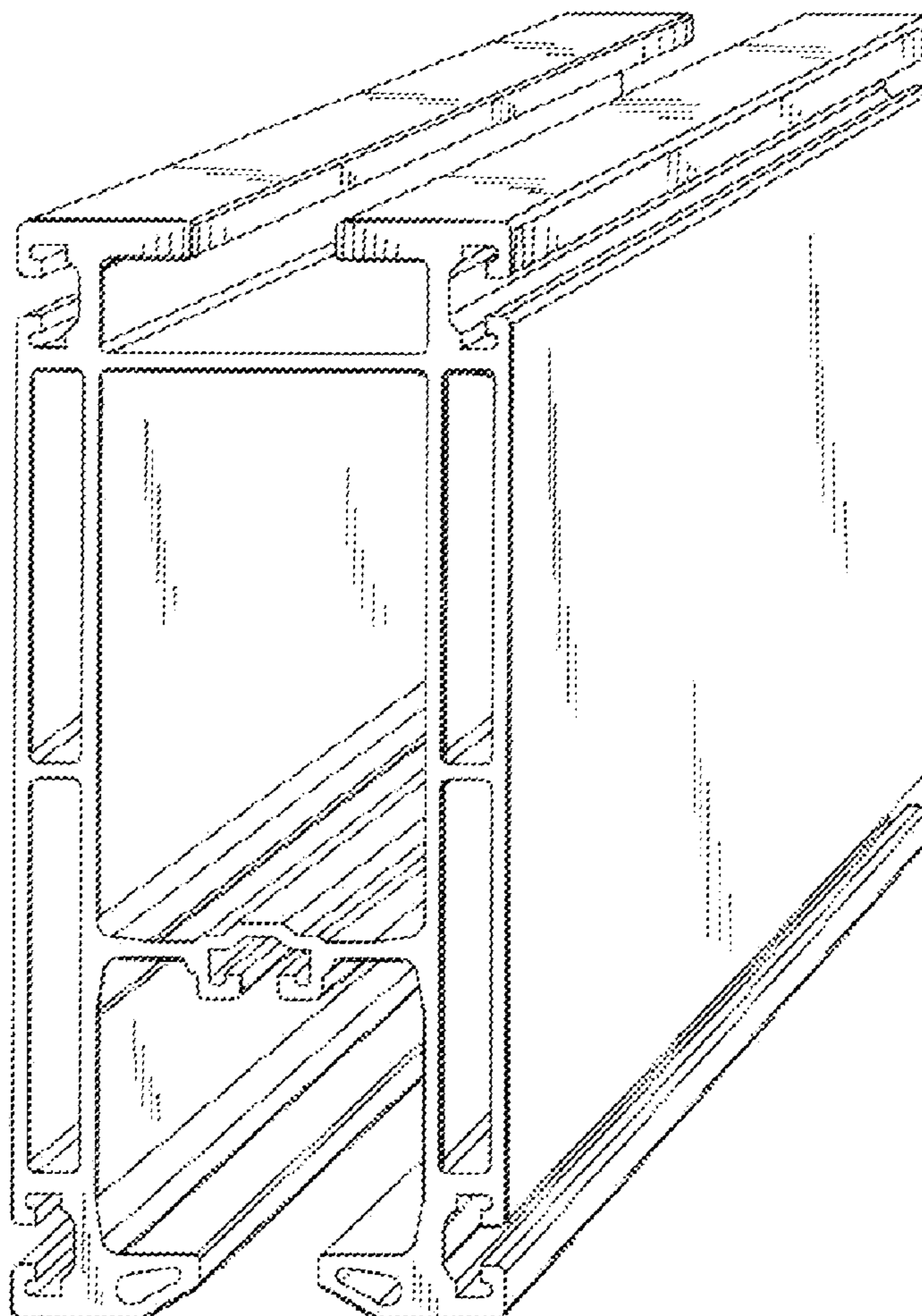
(57) **CLAIM**

The ornamental design for a guide rail for mobile crane, as shown and described.

DESCRIPTION

FIG. 1 is an elevational end view of the invention; and, FIG. 2 is an end perspective view of the invention.

1 Claim, 1 Drawing Sheet



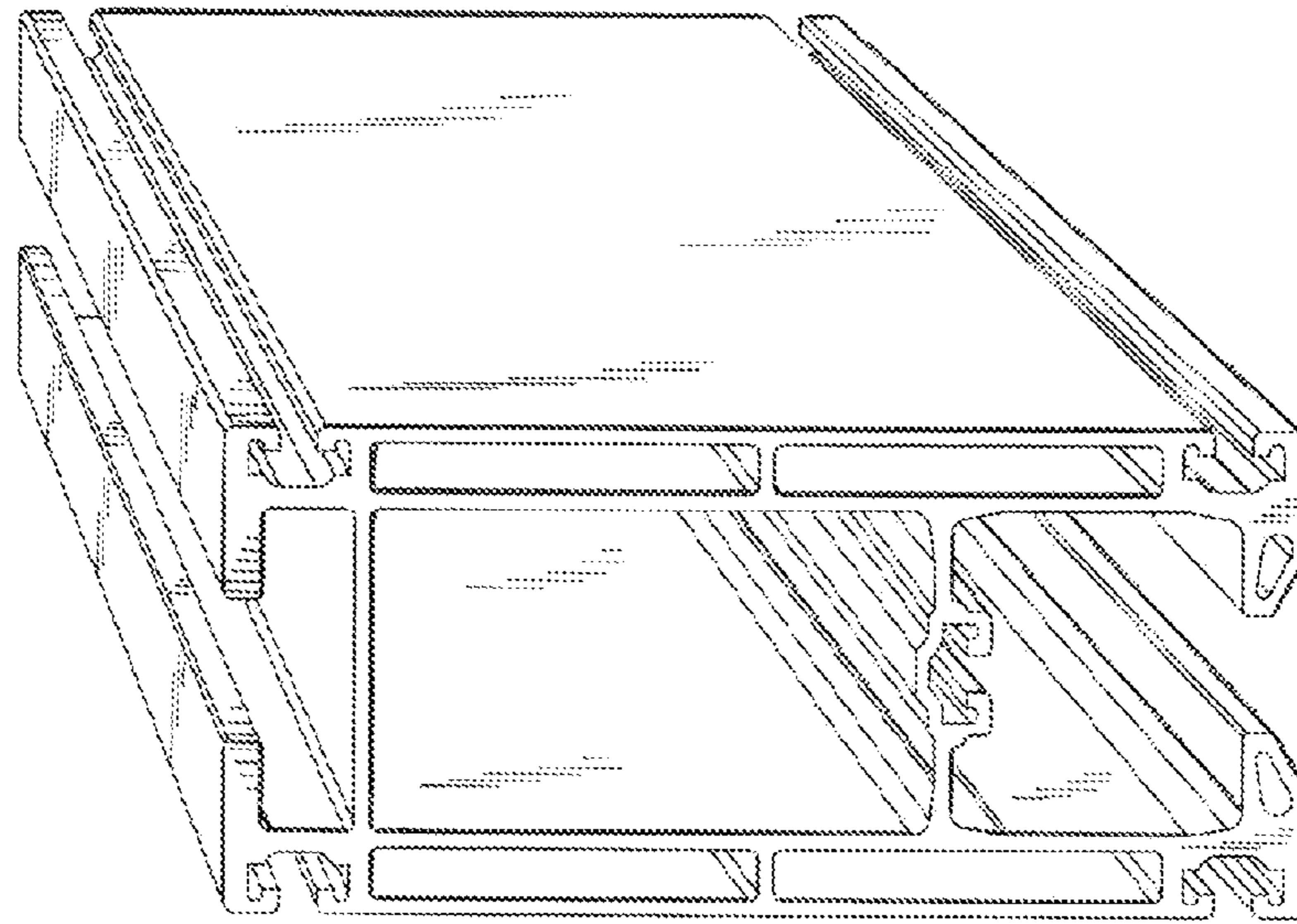


Fig. 2

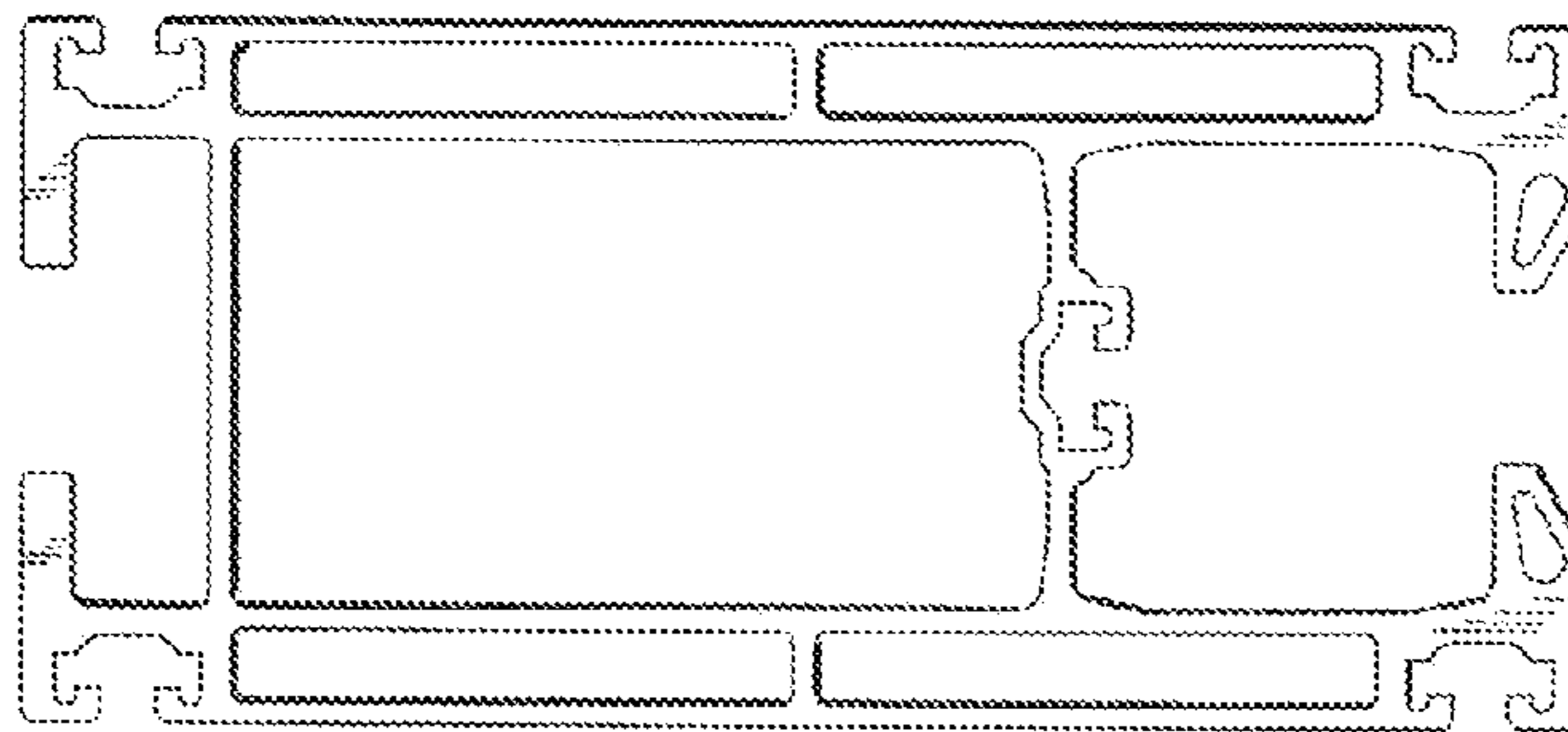


Fig. 1