



US00D670472S

(12) **United States Design Patent**  
**Ono**

(10) **Patent No.:** **US D670,472 S**

(45) **Date of Patent:** **\*\* Nov. 6, 2012**

(54) **CART**

(75) **Inventor:** **Naho Ono**, Kanagawa (JP)

(73) **Assignee:** **Okamura Corporation**, Kanagawa (JP)

(\*\*) **Term:** **14 Years**

(21) **Appl. No.:** **29/410,732**

(22) **Filed:** **Jan. 11, 2012**

(30) **Foreign Application Priority Data**

Jul. 12, 2011 (JP) ..... 2011-015993

(51) **LOC (9) Cl.** ..... **12-02**

(52) **U.S. Cl.** ..... **D34/12**

(58) **Field of Classification Search** ..... D34/12-27;  
280/47.26, 47.35, 47.34, 47.24, 47.27, 47.29,  
280/79.3, 79.11, 654, 655, 47.28; D6/477,  
D6/478; 211/149

See application file for complete search history.

(56) **References Cited**

**U.S. PATENT DOCUMENTS**

D118,060 S \* 12/1939 Smith ..... D34/24  
3,074,734 A \* 1/1963 Munson et al. .... 280/641  
D304,112 S \* 10/1989 Bettess ..... D34/21  
D305,710 S \* 1/1990 Ng et al. .... D6/474  
D339,441 S \* 9/1993 Marchant et al. .... D34/21

D363,590 S \* 10/1995 Kazmerchek et al. .... D34/21  
6,688,634 B2 \* 2/2004 Noffsinger ..... 280/651  
D500,575 S \* 1/2005 Lucas ..... D34/12  
7,168,715 B1 \* 1/2007 Friedman ..... 280/47.35  
7,188,847 B1 \* 3/2007 Friedman ..... 280/47.35  
7,270,339 B2 \* 9/2007 Feick ..... 280/79.3  
D553,324 S \* 10/2007 Lieblein ..... D34/14  
8,074,815 B2 \* 12/2011 Gerstner ..... 211/193

\* cited by examiner

*Primary Examiner* — Cynthia Ramirez

(74) *Attorney, Agent, or Firm* — Sughrue Mion, PLLC

(57) **CLAIM**

The ornamental design for a cart, as shown and described.

**DESCRIPTION**

FIG. 1 is a perspective view of a cart showing my new design;

FIG. 2 is a front elevation view thereof.

FIG. 3 is a rear elevation view thereof.

FIG. 4 is a right side elevation view thereof.

FIG. 5 is a left side elevation view thereof.

FIG. 6 is a top plan view thereof.

FIG. 7 is a bottom plan view thereof.

FIG. 8 is a sectional view of line 8-8 in FIG. 2.

FIG. 9 is a sectional view of line 9-9 in FIG. 2; and,

FIG. 10 is another perspective view thereof.

The portion of the cart shown in broken lines is for the purpose of showing environmental structure only and forms no part of the claimed design.

**1 Claim, 10 Drawing Sheets**

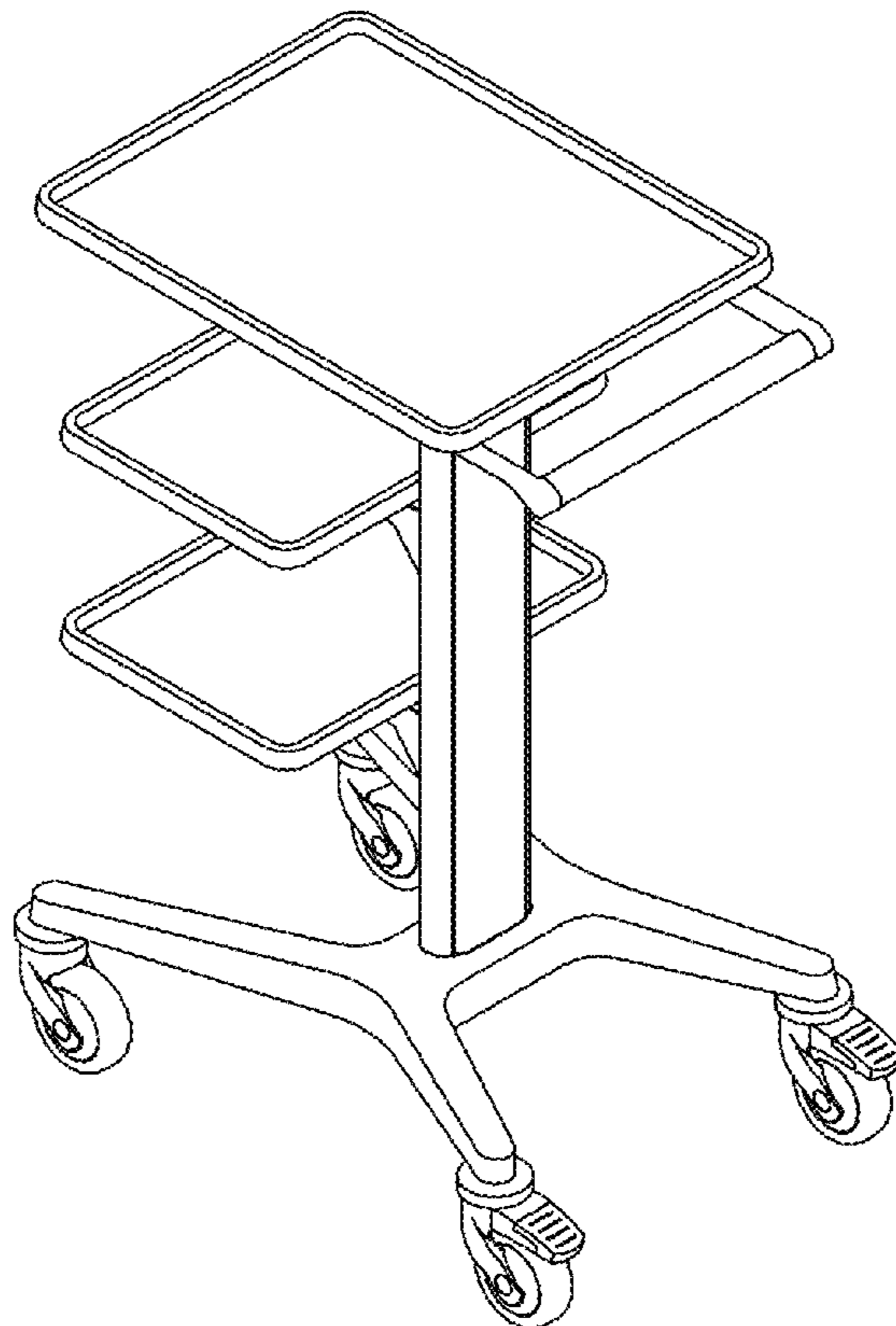


FIG. 1

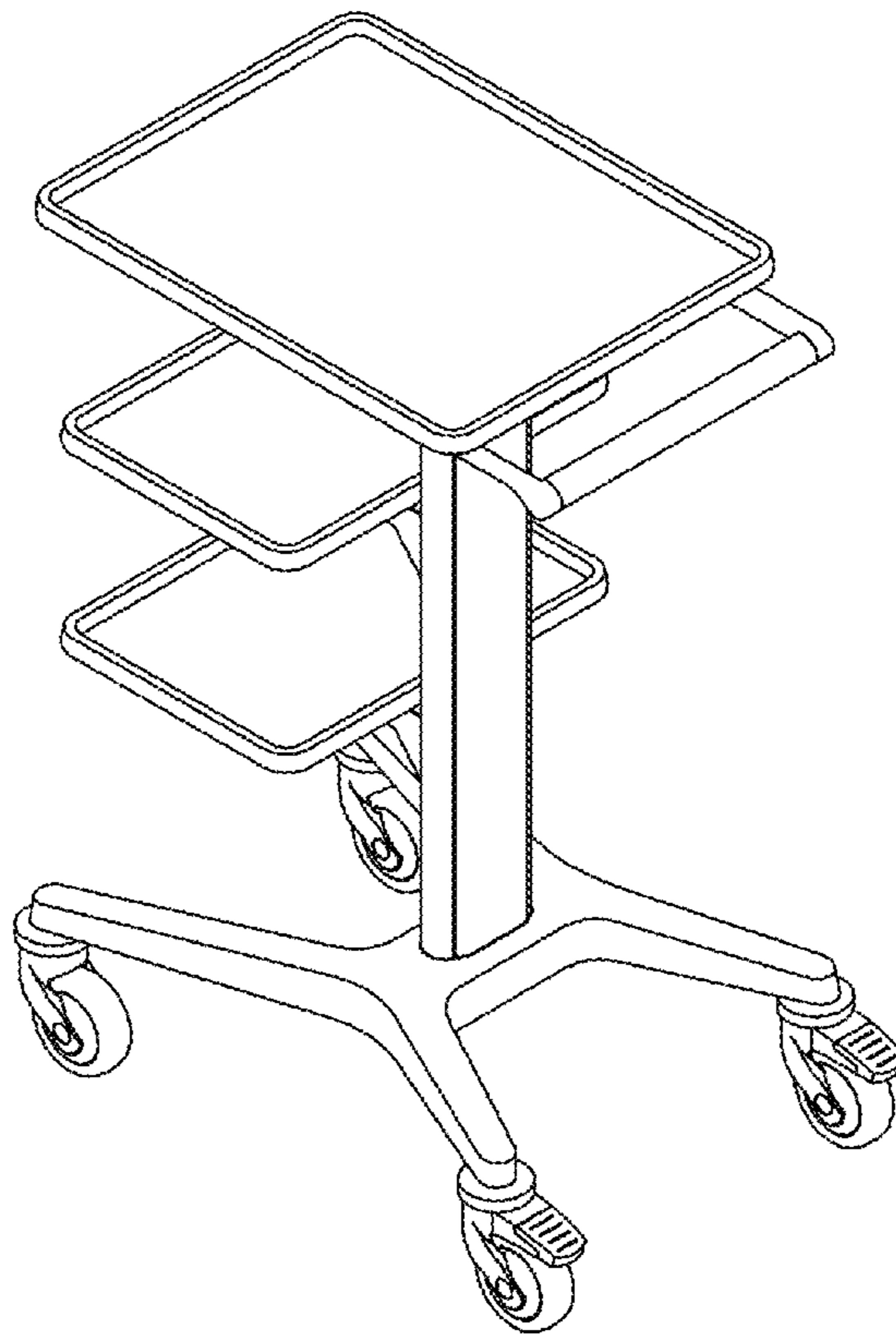


FIG. 2

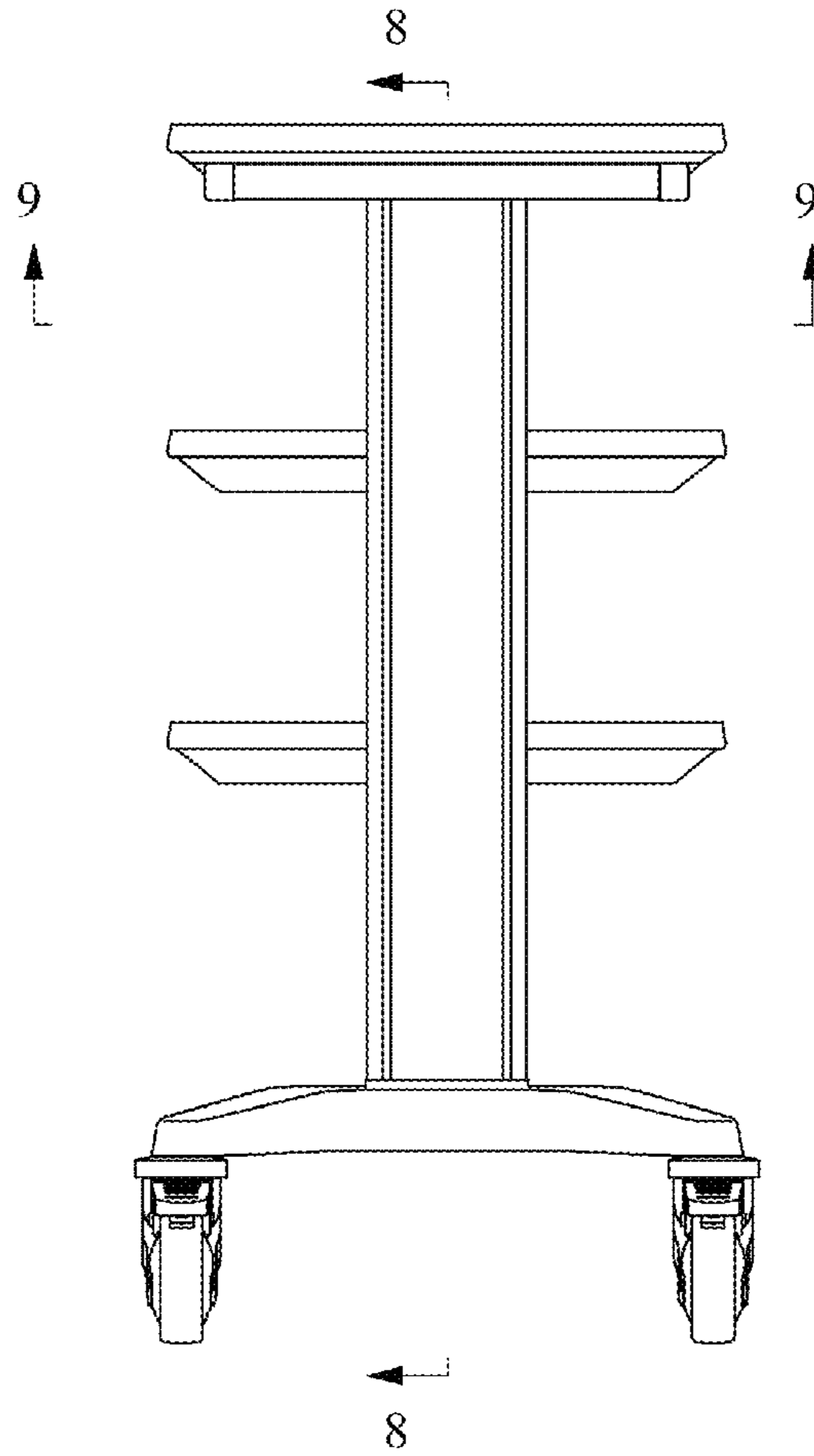


FIG. 3

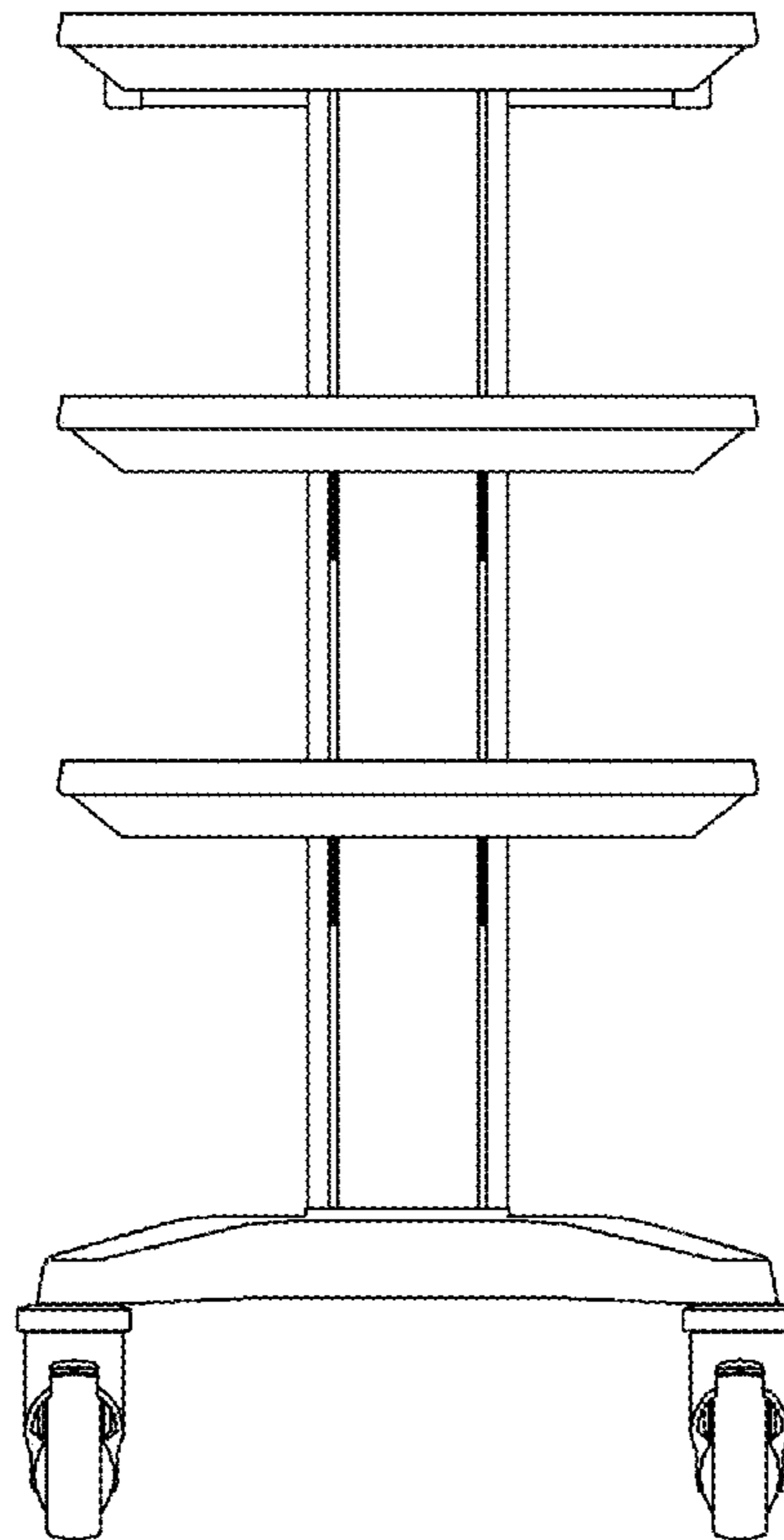


FIG. 4

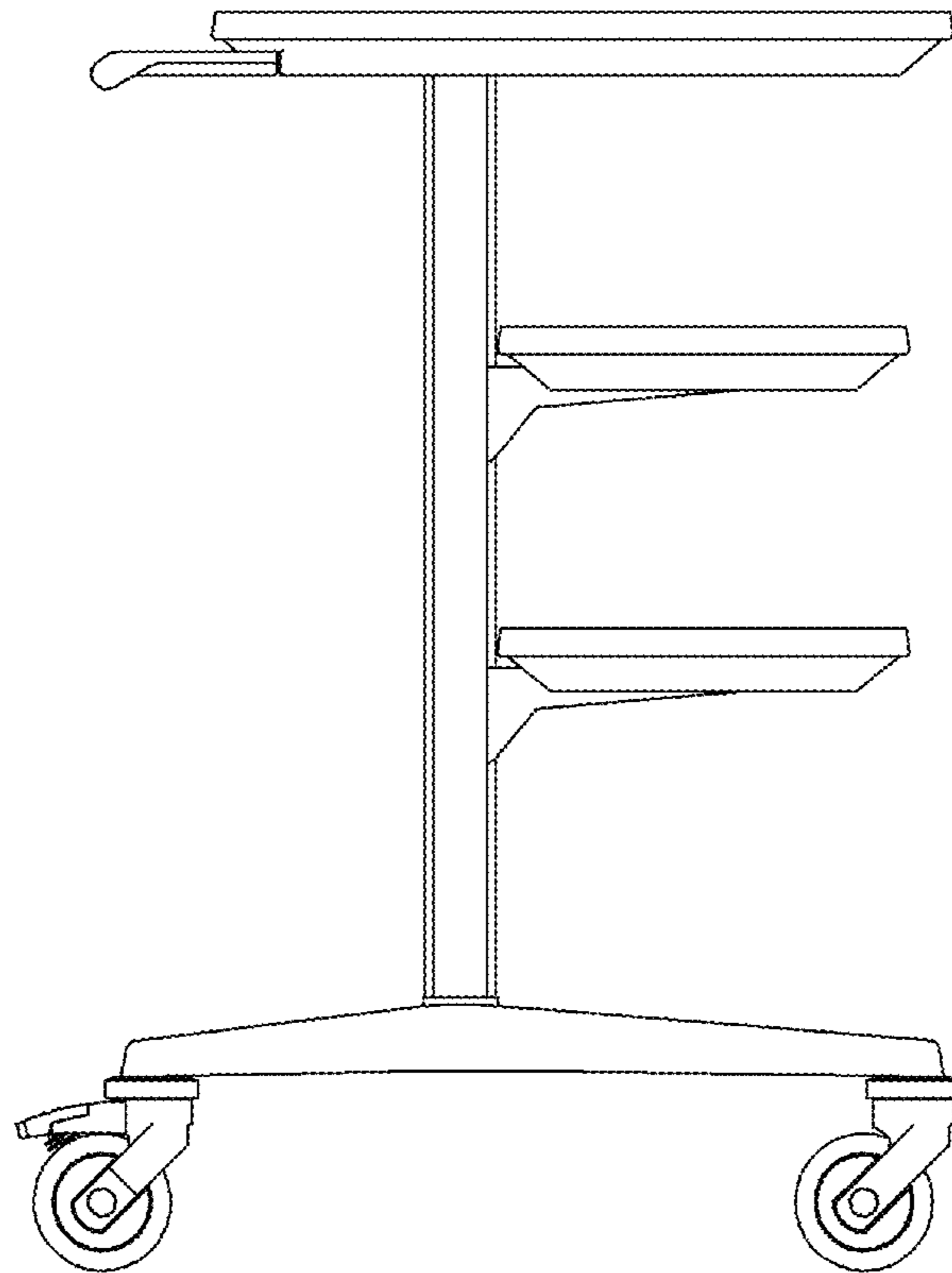


FIG. 5

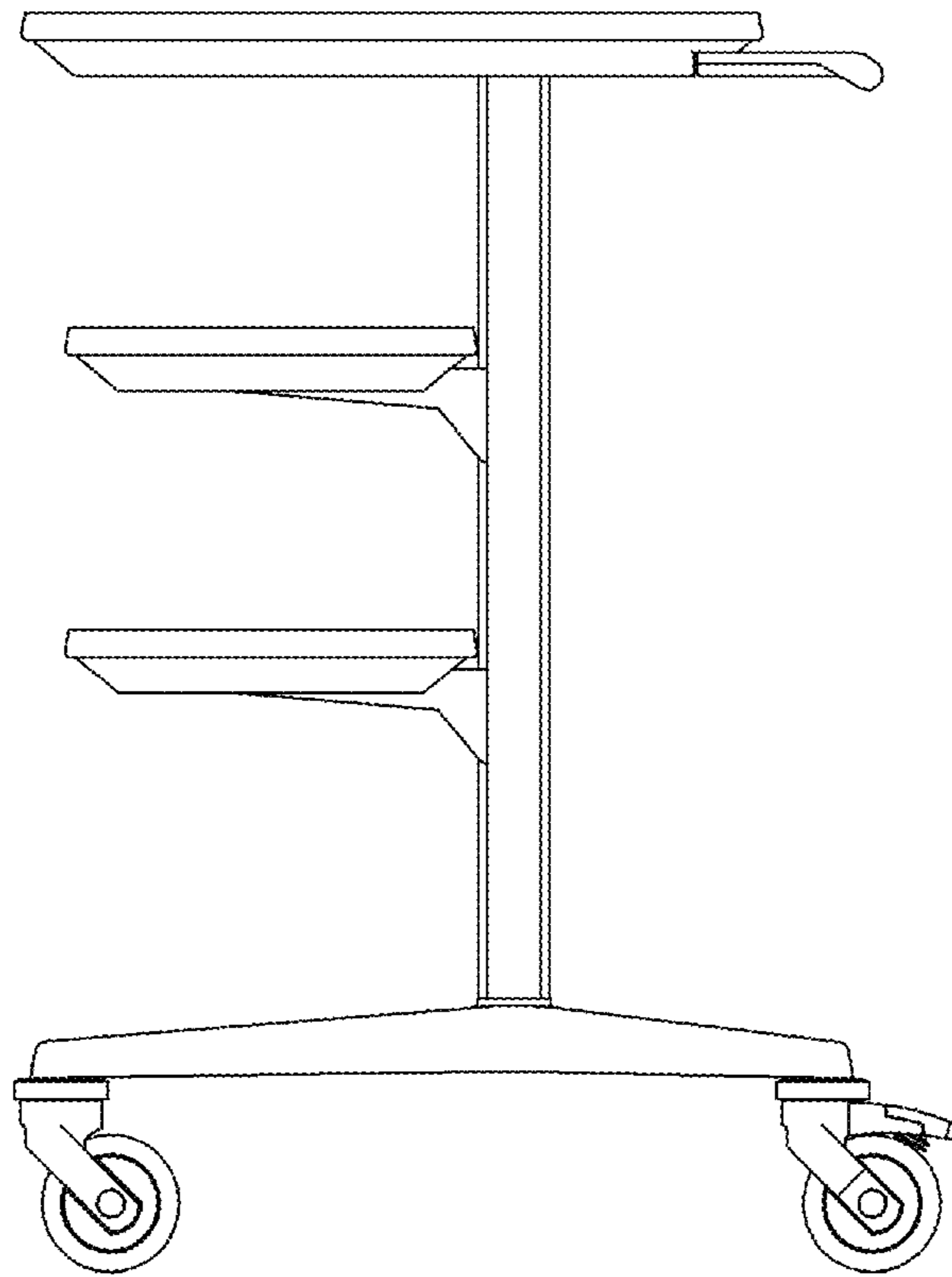


FIG. 6

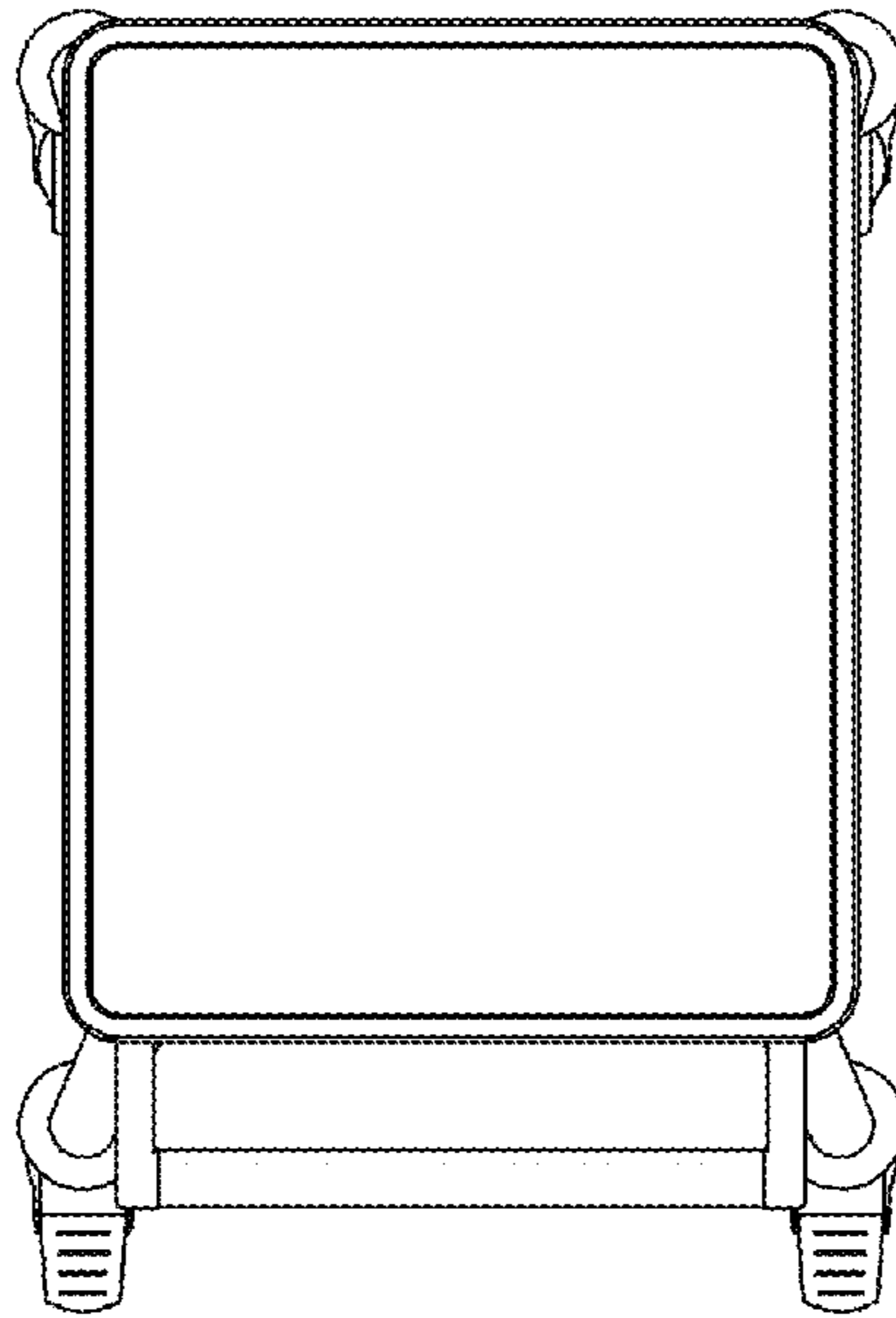


FIG. 7

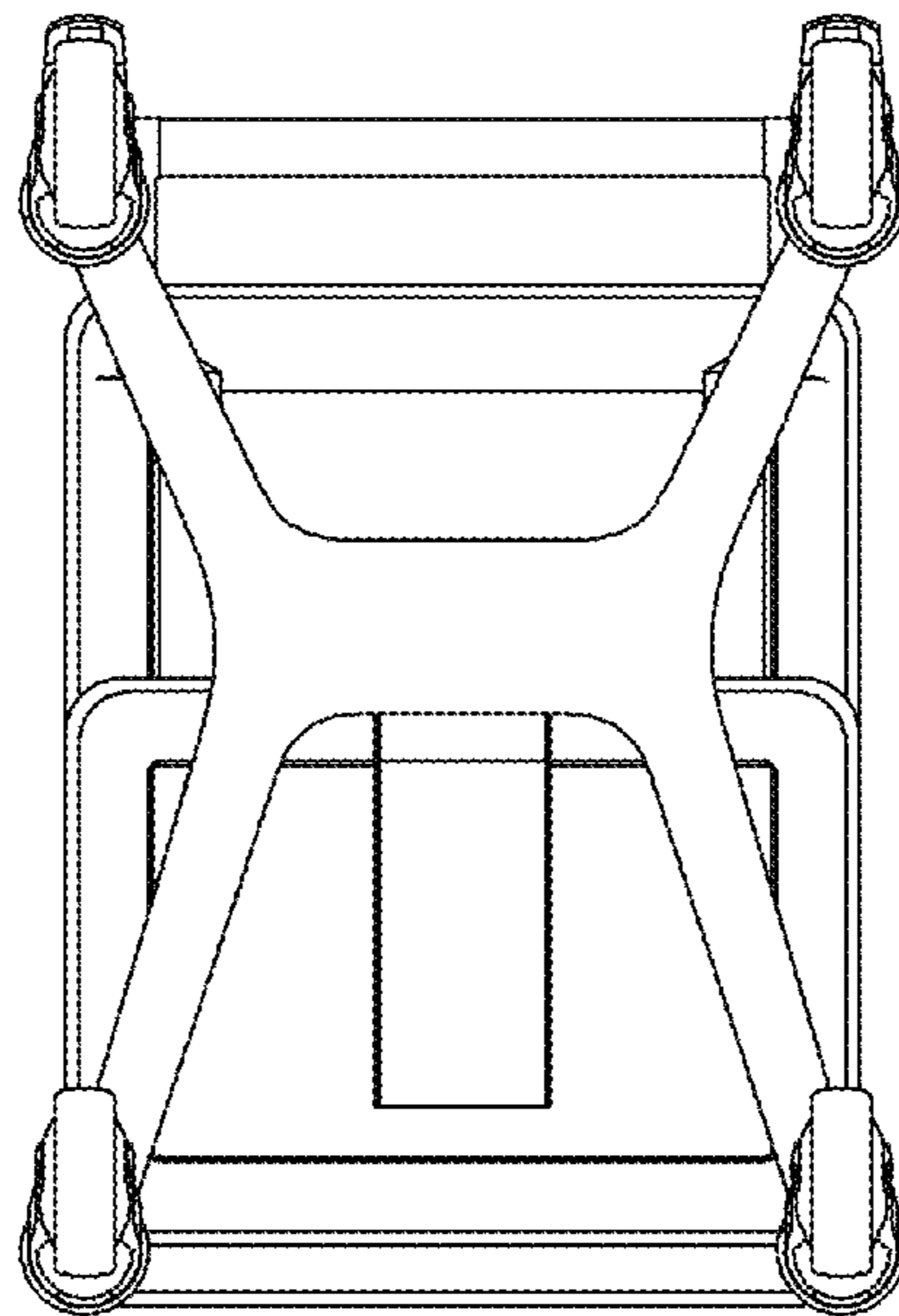




FIG. 8

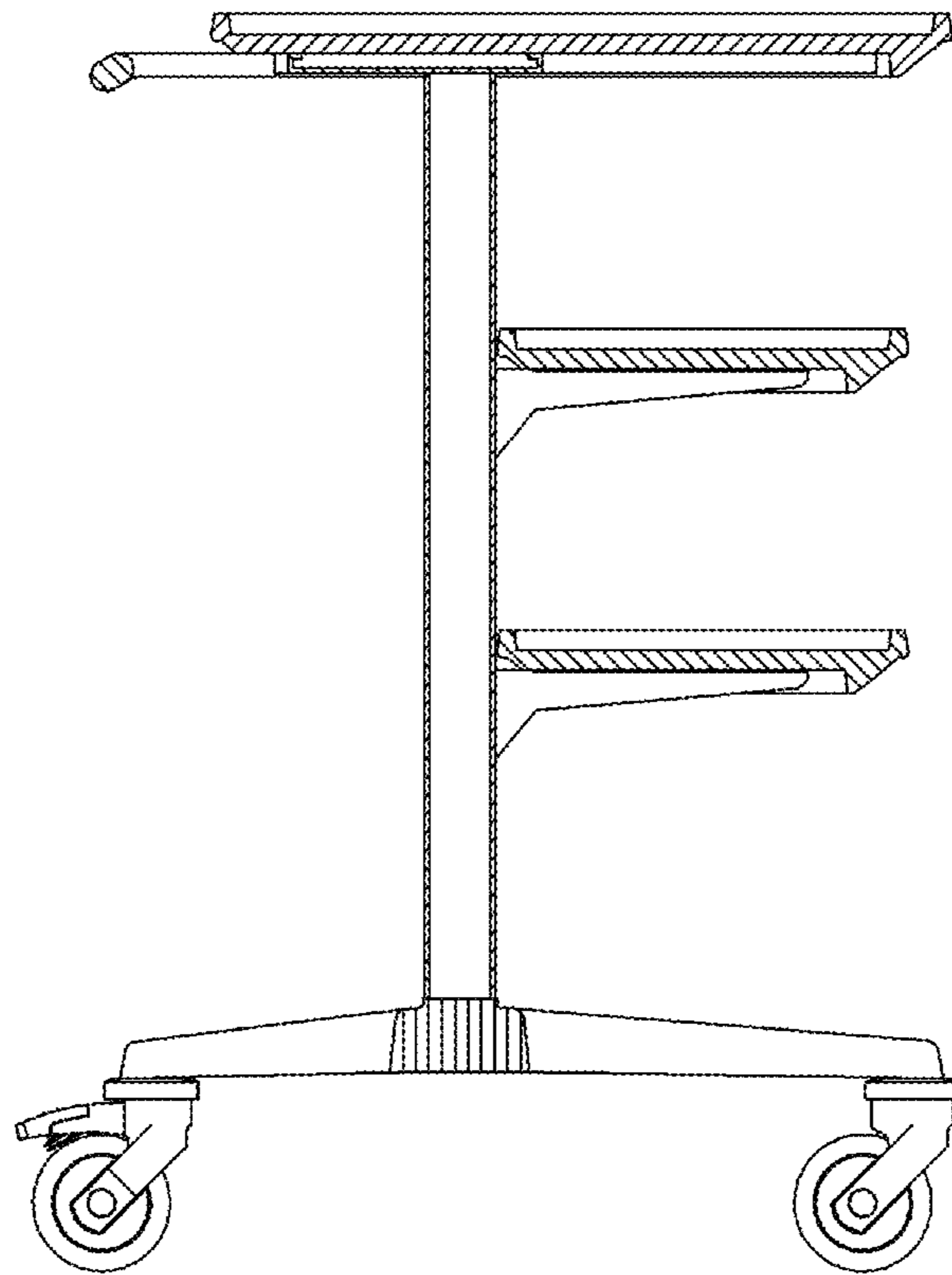


FIG. 9

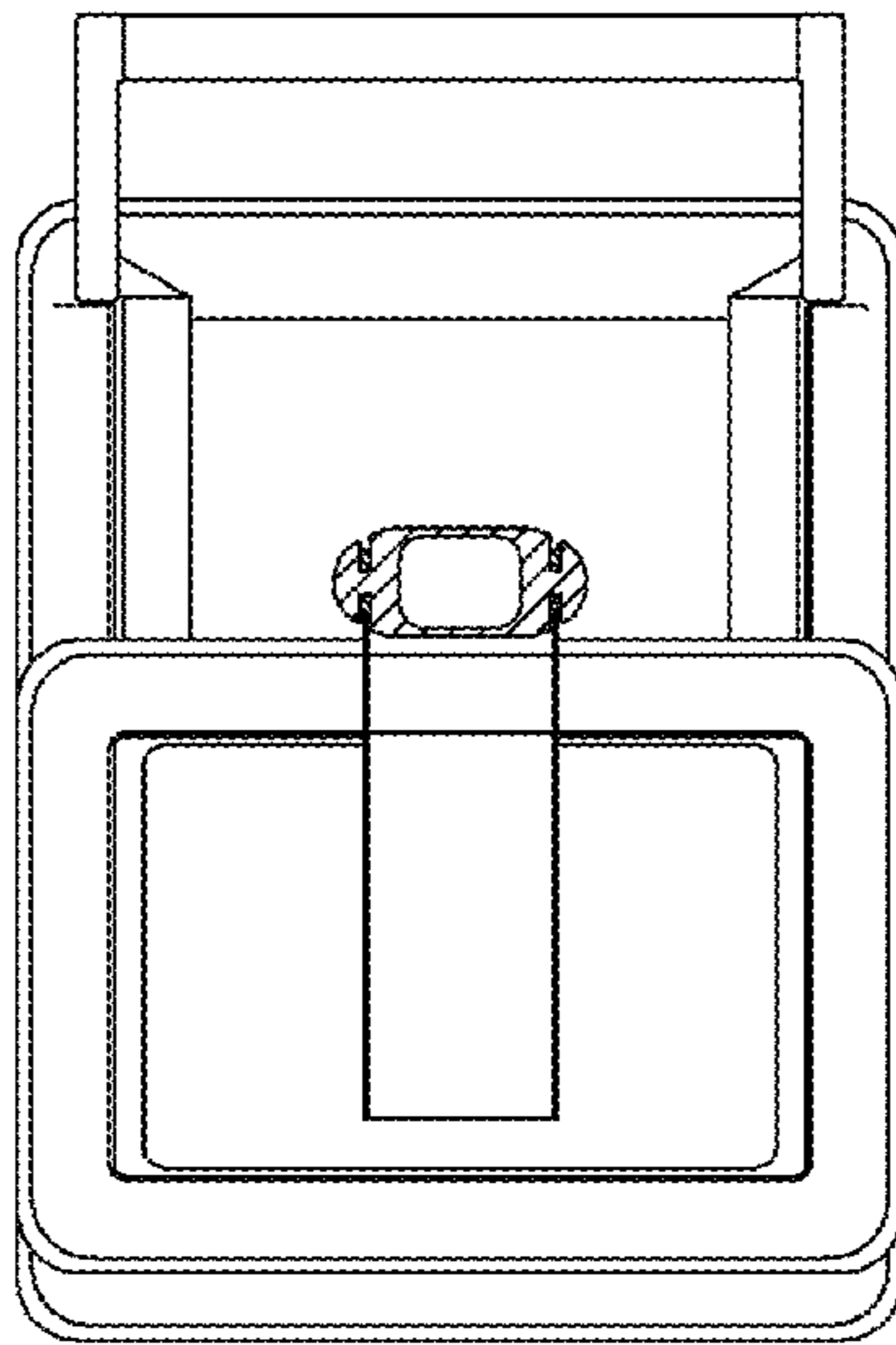


FIG. 10

