



US00D670471S

(12) **United States Design Patent**
Brown et al.

(10) **Patent No.:** **US D670,471 S**
(45) **Date of Patent:** **** Nov. 6, 2012**

(54) **PLUG FOR A CONTAINER**

(75) Inventors: **R. Stephen Brown**, Kingston (CA); **Eric Marcotte**, Kingston (CA); **Michelle Douma**, Kingston (CA); **Doug Wilton**, Kingston (CA); **Michael Miron**, Kingston (CA)

(73) Assignees: **Queen's University**, Kingston, Ontario (CA); **Pathogen Detection Systems, Inc.**, Kingston, Ontario (CA)

(**) Term: **14 Years**

(21) Appl. No.: **29/364,168**

(22) Filed: **Jun. 18, 2010**

(51) **LOC (9) Cl.** **09-09**

(52) **U.S. Cl.** **D34/10**

(58) **Field of Classification Search** D34/1,
D34/10, 11; 220/908, 908.1, 661, 254.1
See application file for complete search history.

(56) **References Cited**

U.S. PATENT DOCUMENTS

D288,495	S	*	2/1987	Young et al.	D34/10
4,890,760	A	*	1/1990	Nicoll et al.	220/495.04
D331,653	S	*	12/1992	Stone	D34/11
5,265,755	A	*	11/1993	McArthur et al.	220/601
6,935,527	B1	*	8/2005	Brock	220/210

D538,996	S	*	3/2007	Lonergan	D34/10
D549,918	S	*	8/2007	Lonergan	D34/10
D550,422	S	*	9/2007	Lonergan	D34/10
D555,325	S	*	11/2007	Roberts et al.	D34/39
D597,725	S	*	8/2009	Smeaton	D34/39
D641,123	S	*	7/2011	Rampton et al.	D34/10
7,992,740	B2	*	8/2011	Kinchen	220/200
2005/0178767	A1	*	8/2005	Hletko	220/263

* cited by examiner

Primary Examiner — Cynthia Ramirez

(74) *Attorney, Agent, or Firm* — Brown Rudnick LLP; Thomas C. Meyers

(57) **CLAIM**

The ornamental design for a plug for a container, as shown and described.

DESCRIPTION

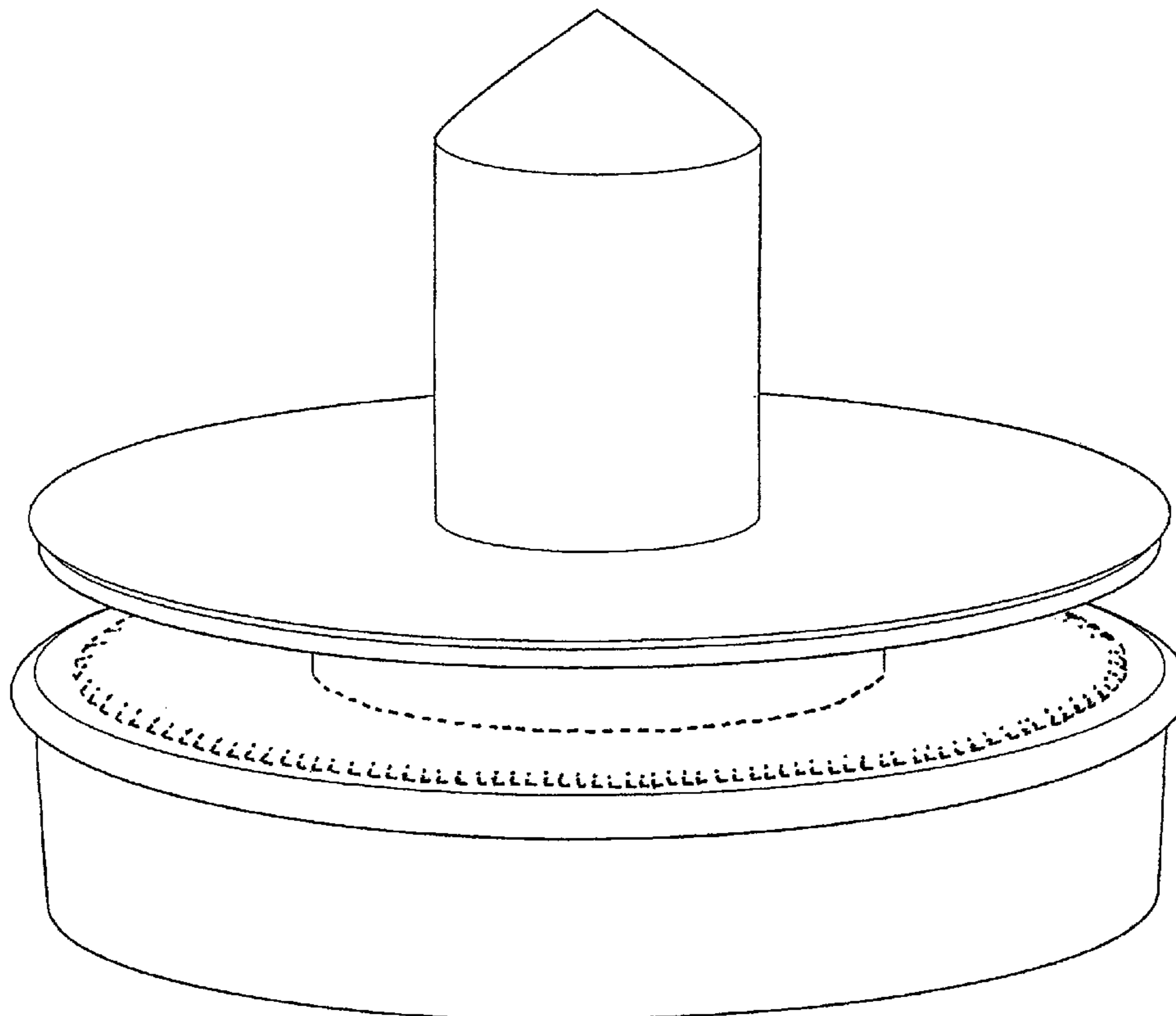
FIG. 1 is a front perspective view of a new design of a plug for a container.

FIG. 2 is a front view of the plug illustrated in FIG. 1, the rear, left side, and right side views being identical; and,

FIG. 3 is a bottom view of the plug illustrated in FIG. 1.

The broken lines in the drawings are included for the purpose of illustrating portions of the plug and form no part of the claimed design.

1 Claim, 3 Drawing Sheets



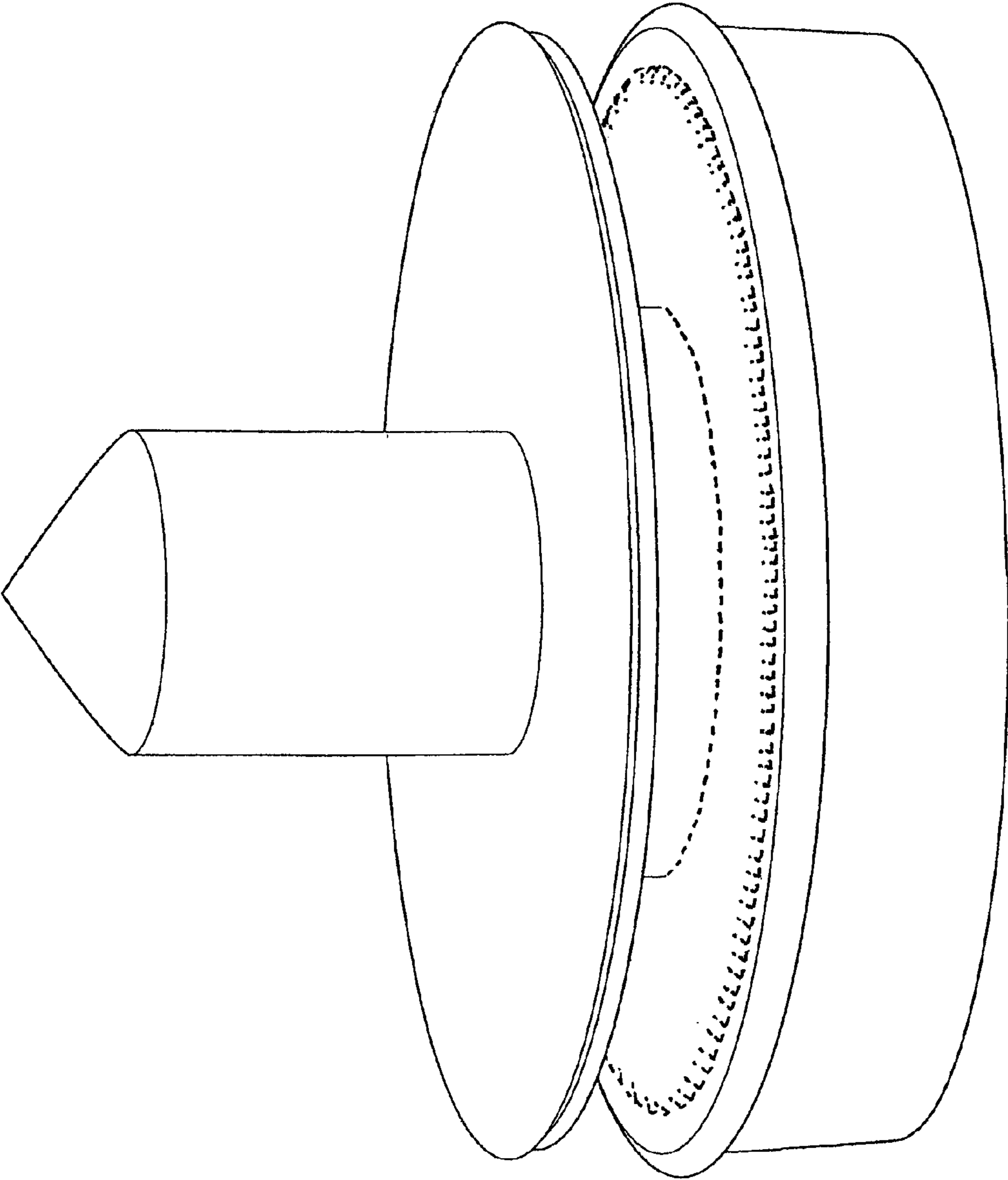


Fig. 1

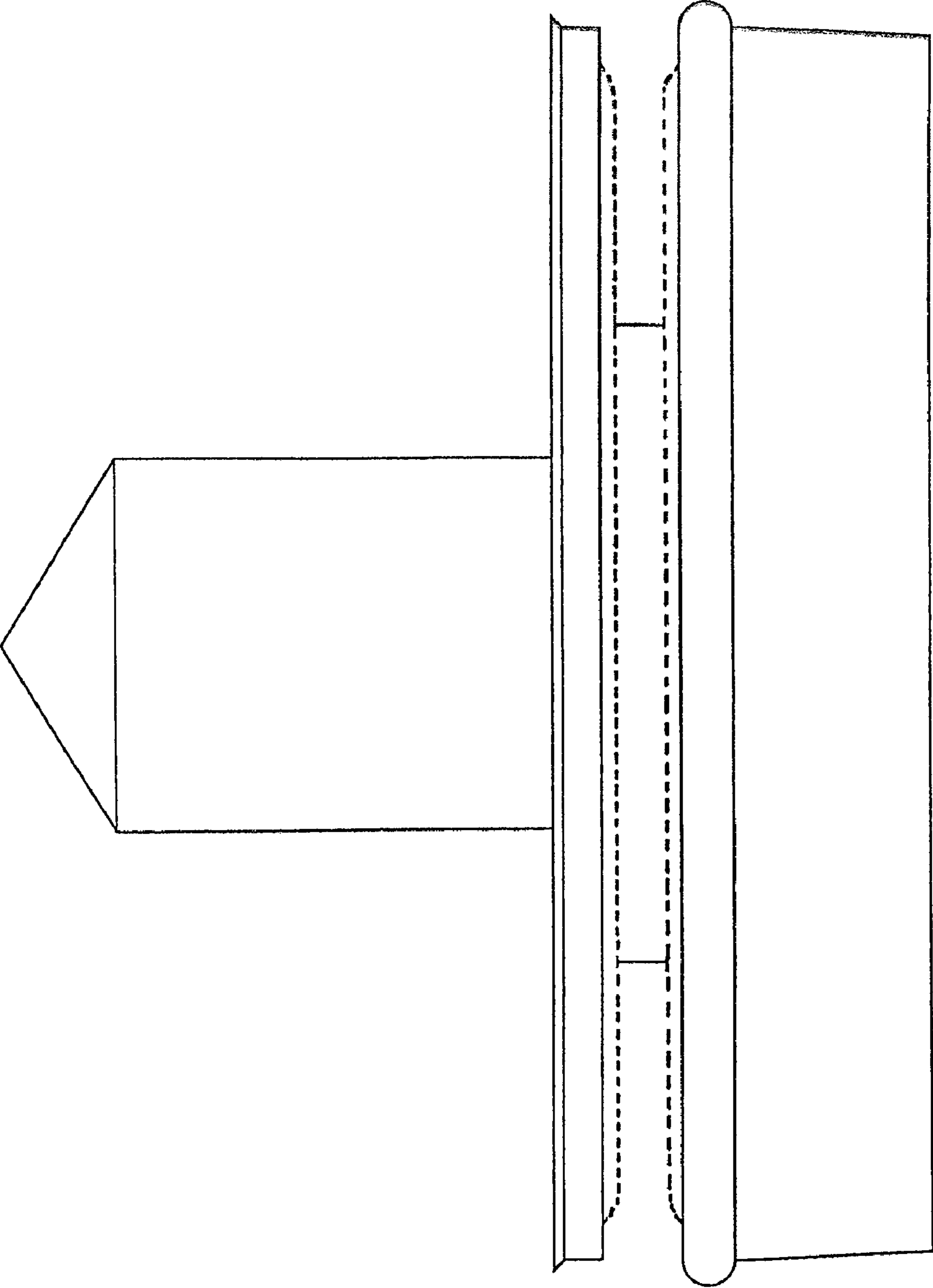


Fig. 2

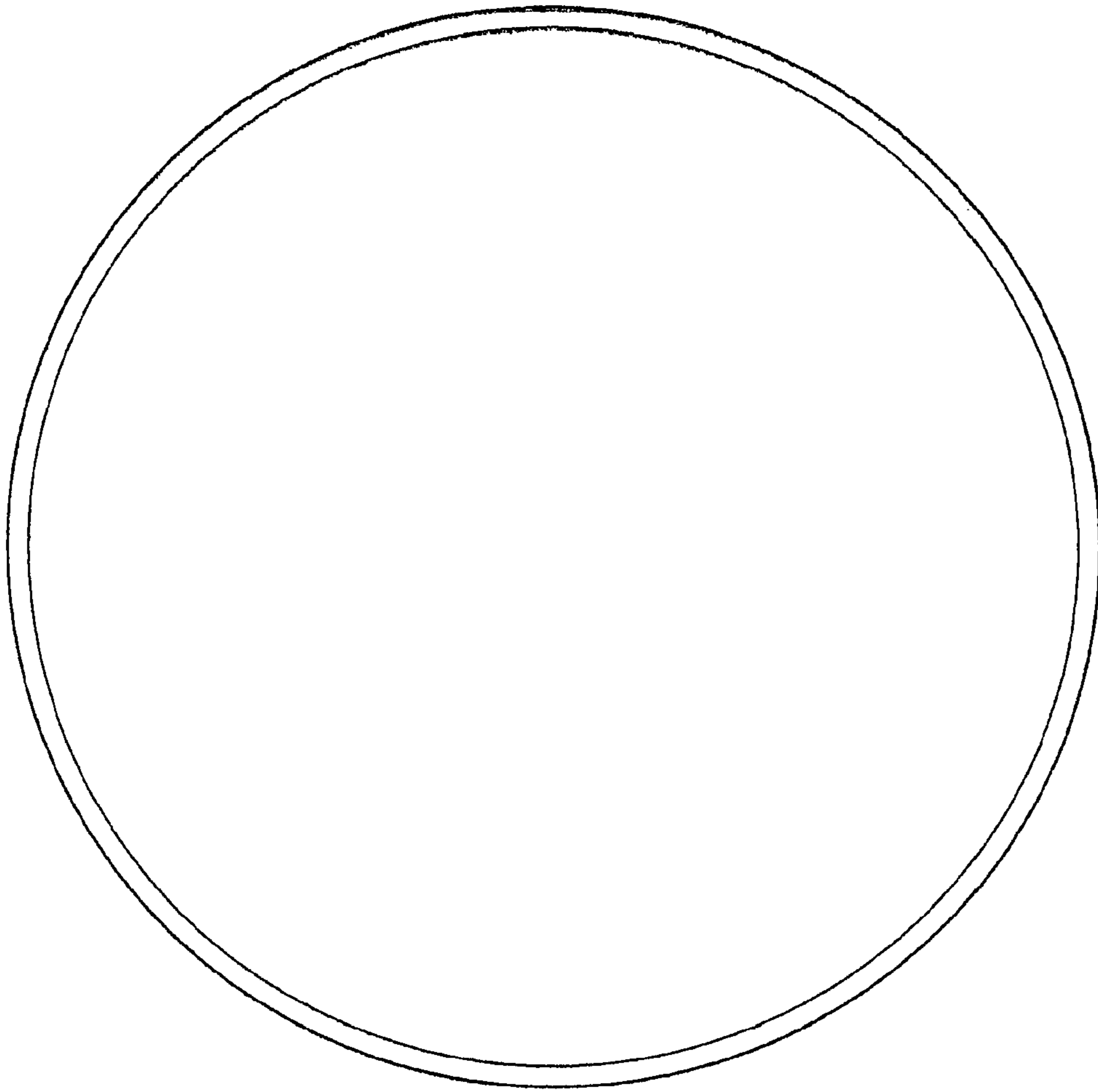


Fig. 3