

US00D670470S

(12) **United States Design Patent**
Simmons

(10) **Patent No.:** **US D670,470 S**

(45) **Date of Patent:** **** Nov. 6, 2012**

(54) **MICROFIBER MOP PAD**

(76) **Inventor:** **Li Ying Simmons**, Mica, WA (US)

(**) **Term:** **14 Years**

(21) **Appl. No.:** **29/383,010**

(22) **Filed:** **Jan. 11, 2011**

(51) **LOC (9) Cl.** **04-01**

(52) **U.S. Cl.** **D32/50**

(58) **Field of Classification Search** D32/40-45,
D32/50-52; 15/118, 244.1, 244.2, 244.3,
15/244.4, 116.1, 116.2, 119.1, 119.2, 104.9,
15/228, 229.2, 229.4; 401/135-140
See application file for complete search history.

(56) **References Cited**

U.S. PATENT DOCUMENTS

D549,414 S *	8/2007	Van Lanningham, Jr.	D32/50
D581,618 S *	11/2008	Soller et al.	D32/50
D585,612 S *	1/2009	Soller et al.	D32/50
D649,310 S *	11/2011	Colangelo	D32/40

* cited by examiner

Primary Examiner — John Windmuller

(74) *Attorney, Agent, or Firm* — Lee & Hayes, PLLC

(57) **CLAIM**

The ornamental design for a microfiber mop pad, as shown and described.

DESCRIPTION

FIG. 1 is a perspective view of a microfiber mop pad according to a first embodiment;

FIG. 2 is a top plan view of the microfiber mop pad of FIG. 1; FIG. 3 is a bottom plan view of the microfiber mop pad of FIG. 1;

FIG. 4 is a front elevation view of the microfiber mop pad of FIG. 1, the back view of the microfiber mop pad being identical to the front view;

FIG. 5 is a right side elevation view of the microfiber mop pad of FIG. 1, the left side view of the microfiber mop pad being identical to the right side view;

FIG. 6 is a perspective view of a microfiber mop pad according to a second embodiment;

FIG. 7 is a top plan view of the microfiber mop pad of FIG. 6, the bottom view being identical to that of FIG. 3;

FIG. 8 is a front elevation view of the microfiber mop pad of FIG. 6;

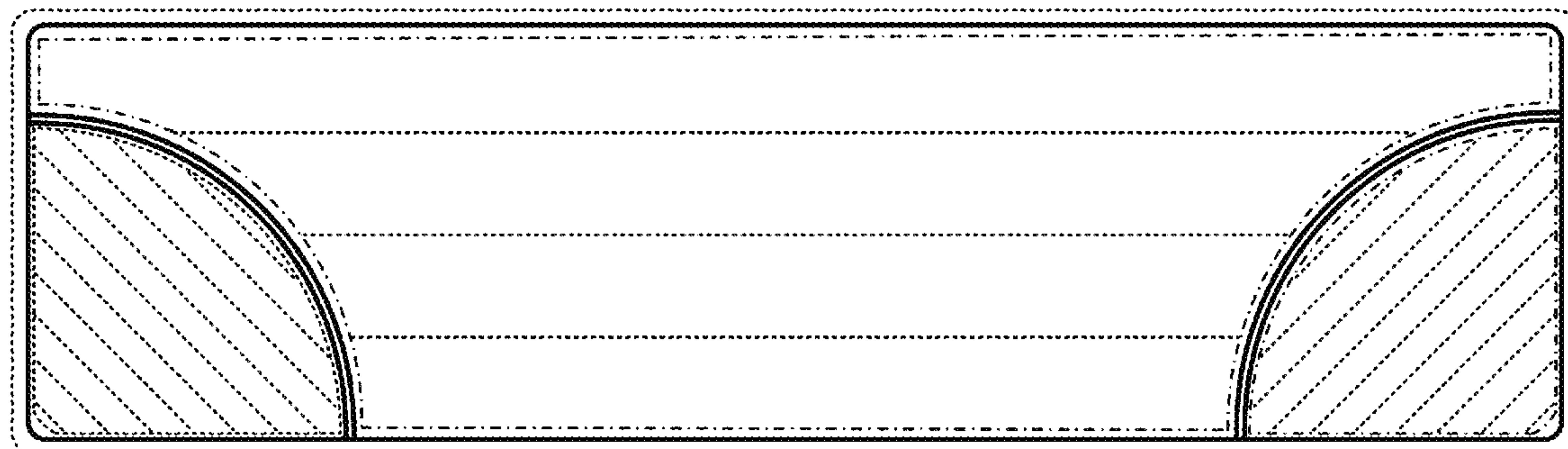
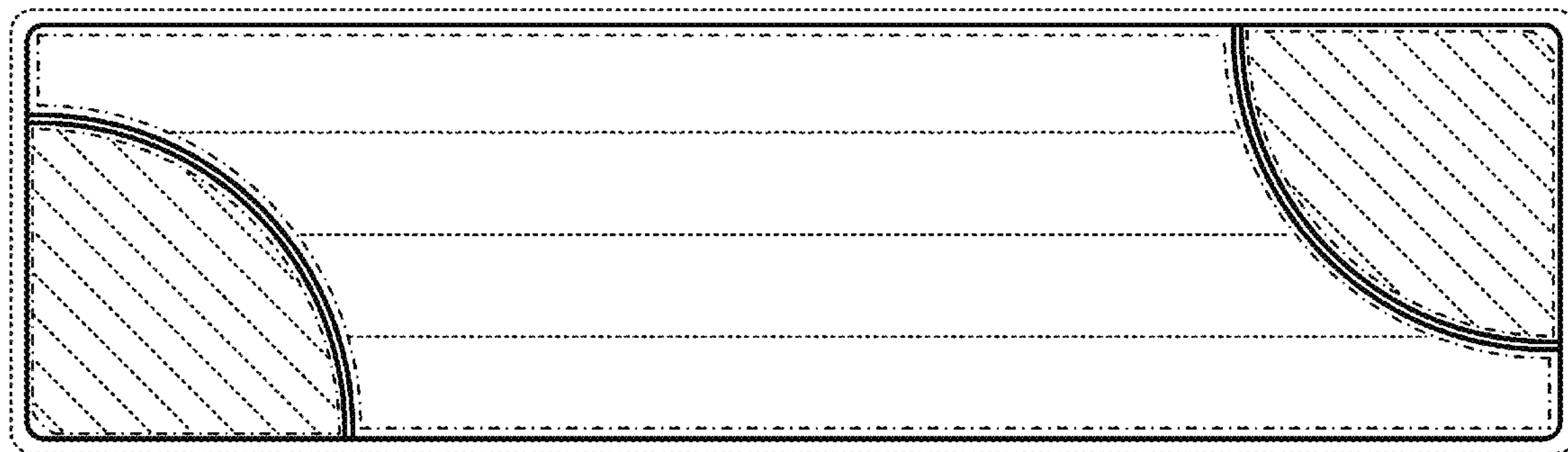
FIG. 9 is a back elevation view of the microfiber mop pad of FIG. 6; and,

FIG. 10 is a right side elevation view of the microfiber mop pad of FIG. 6, the left side view of the microfiber mop pad being a mirror image of the right side view.

The broken lines illustrate unclaimed subject matter and unclaimed portions of the microfiber mop pad. The broken lines form no part of the claimed design.

The dot-dash lines illustrate that the portions within the dot dash lines are unclaimed subject matter. Further, the dot-dash lines form no part of the claimed design.

1 Claim, 10 Drawing Sheets



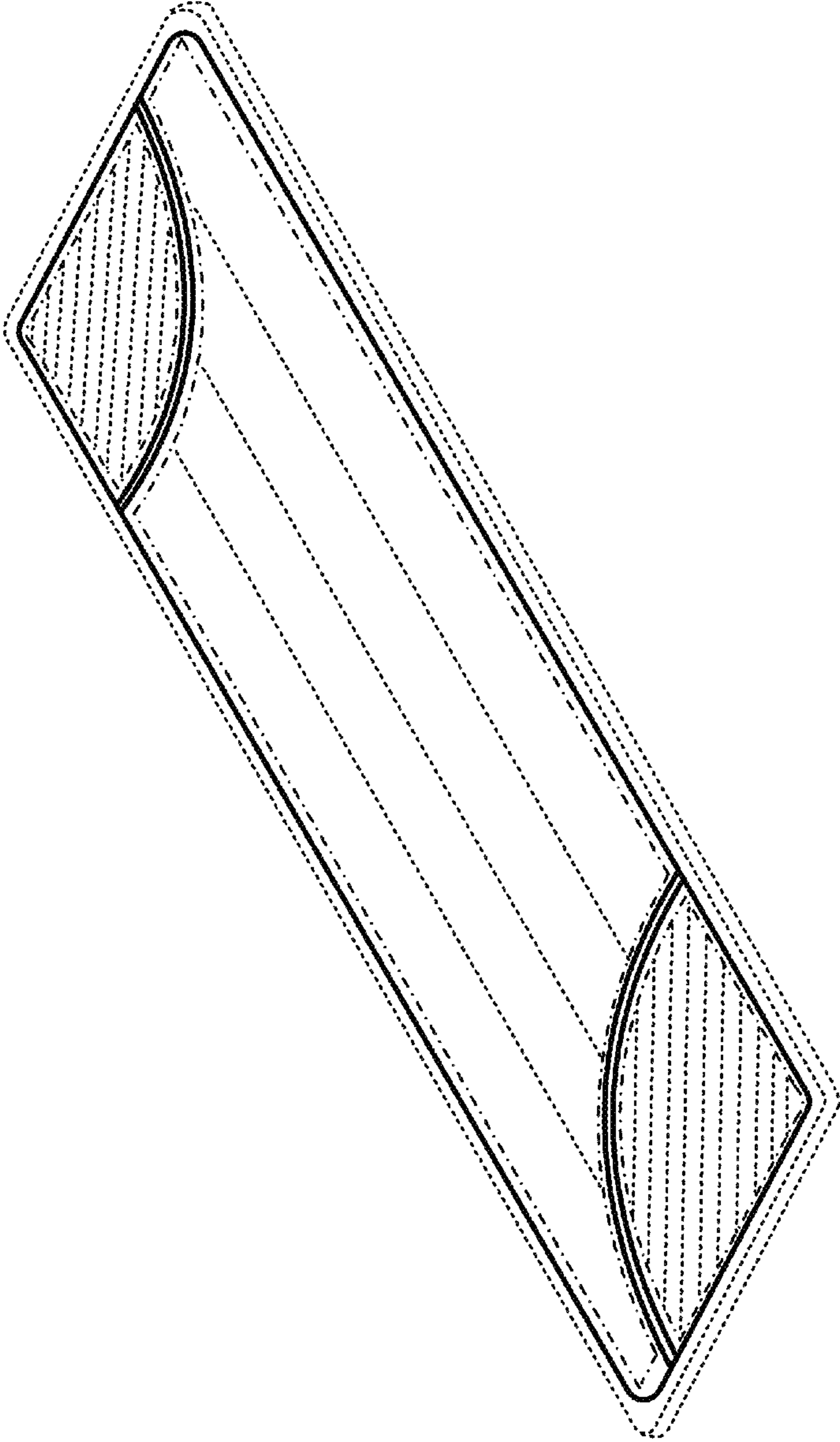


FIG. 1

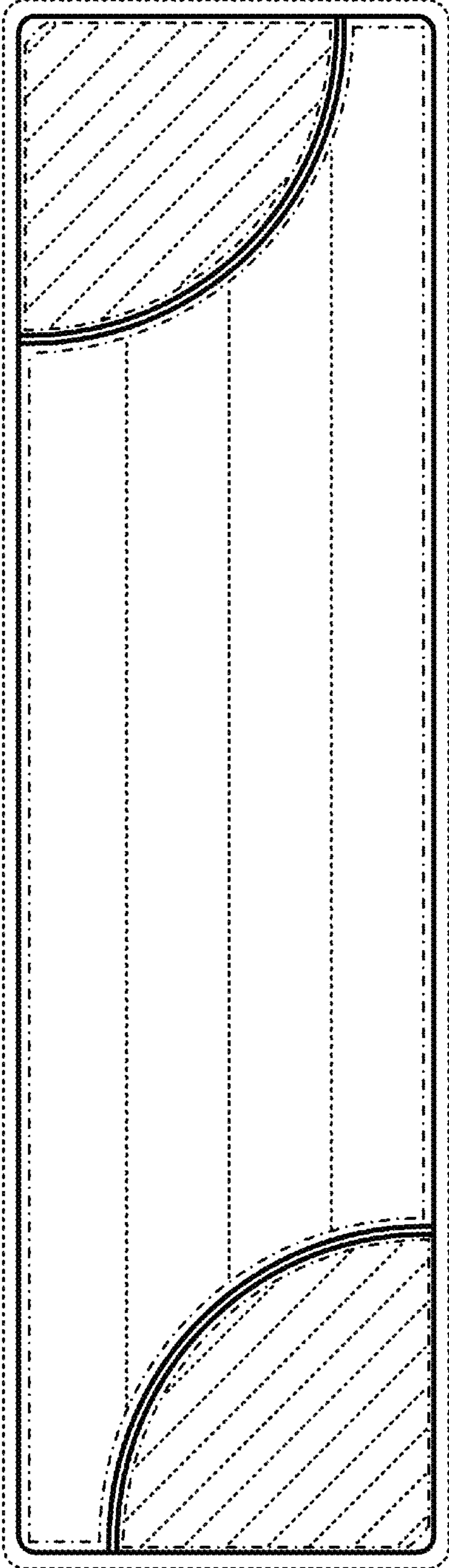


FIG. 2

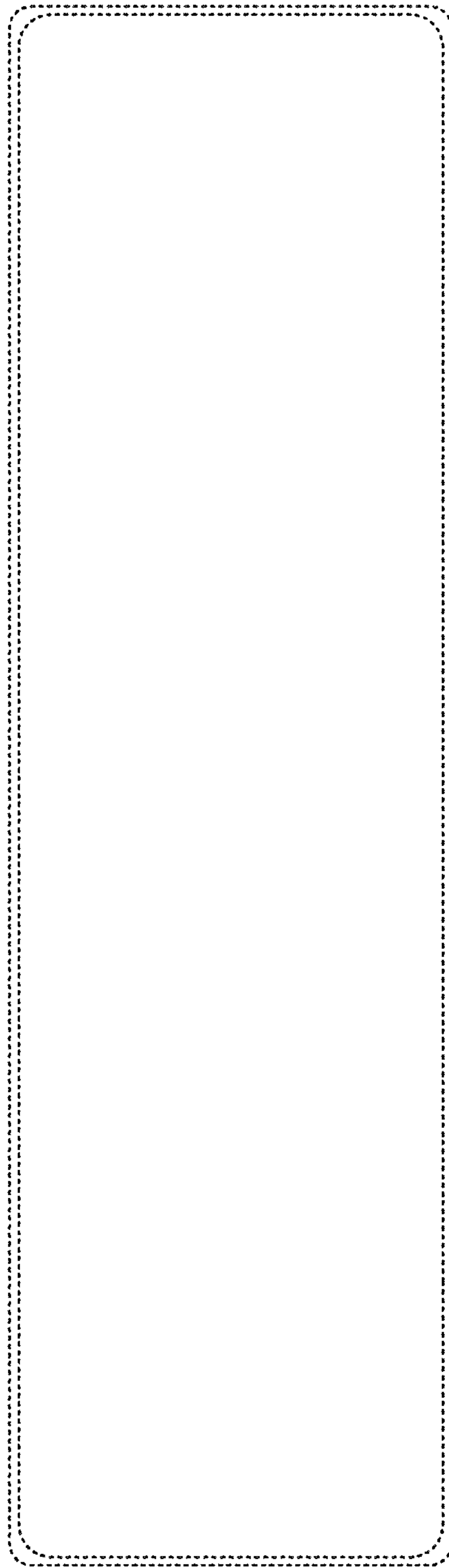


FIG. 3



FIG. 4



FIG. 5

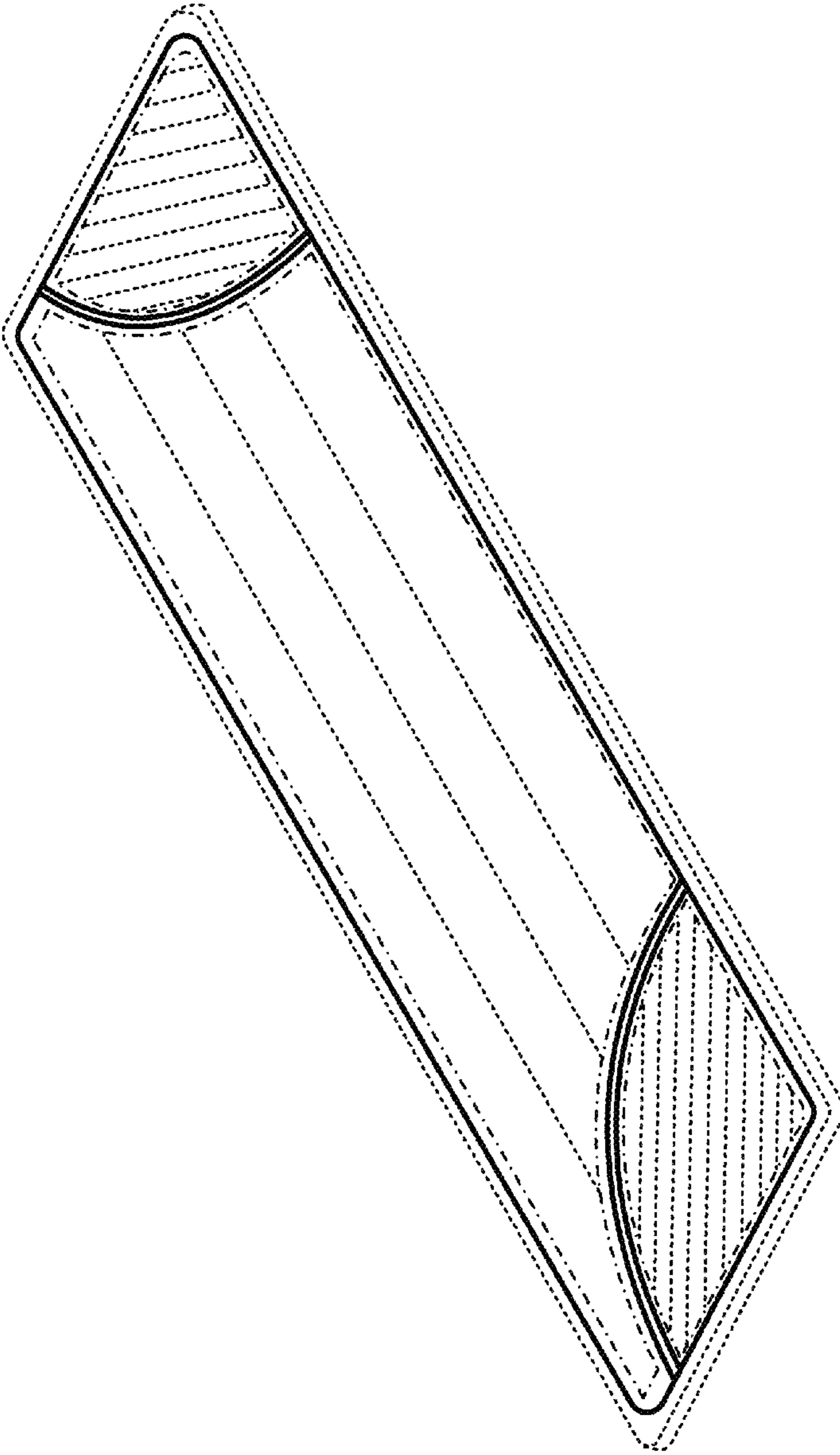


FIG. 6

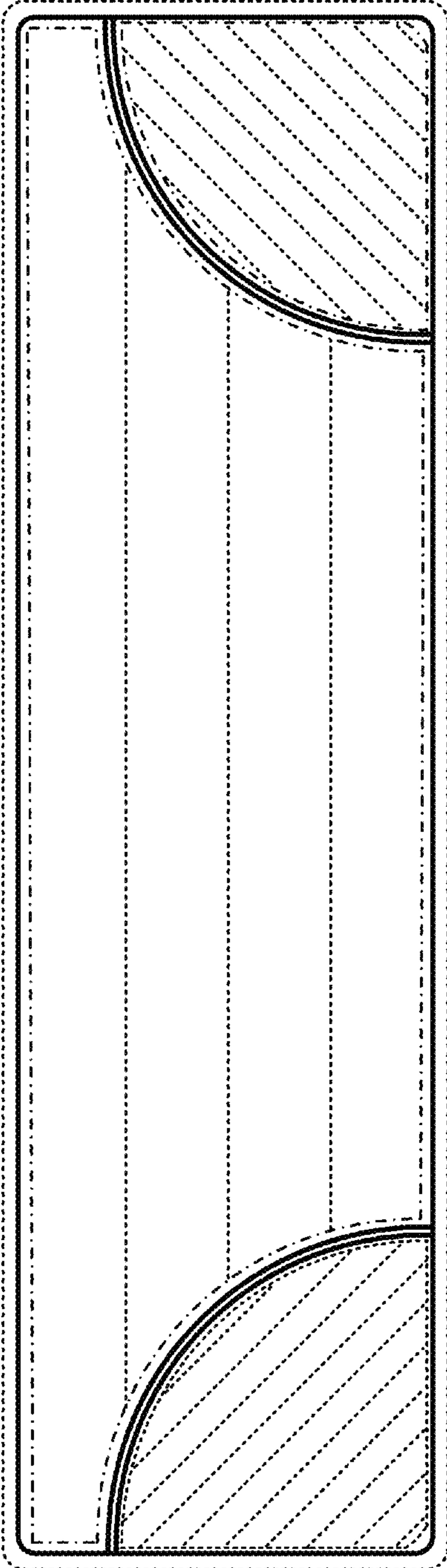


FIG. 7



FIG. 8



FIG. 9



FIG. 10