



US00D670468S

(12) **United States Design Patent**
Link

(10) **Patent No.:** **US D670,468 S**

(45) **Date of Patent:** **** Nov. 6, 2012**

(54) **DETERGENT DISPENSING DEVICE LID**

(75) Inventor: **Rainer Link**, Ludwigshafen (DE)

(73) Assignee: **Reckitt Benckiser N.V.**, WT Hoofddorp (NL)

(**) Term: **14 Years**

(21) Appl. No.: **29/353,880**

(22) Filed: **Jan. 15, 2010**

(30) **Foreign Application Priority Data**

Jul. 22, 2009 (EM) 001589870-0001
Jul. 22, 2009 (EM) 001589870-0002

(51) **LOC (9) Cl.** **15-05**

(52) **U.S. Cl.** **D32/29.1**

(58) **Field of Classification Search** D32/1,
D32/3, 25, 29.1; 134/93; 222/153.01, 153.04;
68/12.18, 212; D23/207-209, 213
See application file for complete search history.

(56) **References Cited**

U.S. PATENT DOCUMENTS

2,370,609 A 2/1945 Wilson
2,514,000 A 7/1950 Kent
3,187,767 A 6/1965 Sherrard
3,272,899 A 9/1966 Diamond et al.
D269,801 S * 7/1983 Sangster et al. D23/207
4,416,859 A 11/1983 Brown et al.
D273,033 S * 3/1984 Sangster et al. D23/207
D280,757 S * 9/1985 Paulovich et al. D23/207
4,835,804 A 6/1989 Arnau-Munoz et al.
D304,102 S * 10/1989 Lakhan et al. D32/1
4,917,272 A 4/1990 Ikeda
D308,739 S * 6/1990 Nystuen D32/3
5,033,643 A 7/1991 Schumacher
D328,332 S * 7/1992 Fink D23/208
D328,333 S * 7/1992 Casberg D23/208
5,137,694 A 8/1992 Copeland et al.
D346,890 S * 5/1994 Panesar D32/29.1
5,310,430 A 5/1994 McCall
5,500,050 A 3/1996 Chan et al.

D376,230 S * 12/1996 McCall et al. D32/29.1
5,603,233 A 2/1997 Erickson
D381,141 S * 7/1997 Balz D32/29.1
D383,264 S * 9/1997 Balz D32/29.1
5,681,400 A 10/1997 Brady
5,807,906 A 9/1998 Bonvallot et al.
6,058,946 A 5/2000 Bellati et al.
6,173,743 B1 1/2001 Ibanez Sapina et al.
6,178,987 B1 1/2001 Caruthers, Jr. et al.
D457,596 S * 5/2002 Guzman et al. D23/209
D465,258 S * 11/2002 Hiranaga et al. D23/209
6,571,993 B2 6/2003 Rodd et al.
6,581,800 B2 6/2003 Rodd et al.
D481,844 S * 11/2003 Greene et al. D32/30

(Continued)

FOREIGN PATENT DOCUMENTS

DE 19540608 5/1997

(Continued)

Primary Examiner — T. Chase Nelson

Assistant Examiner — Kathleen M Sims

(74) *Attorney, Agent, or Firm* — Norris McLaughlin & Marcus PA

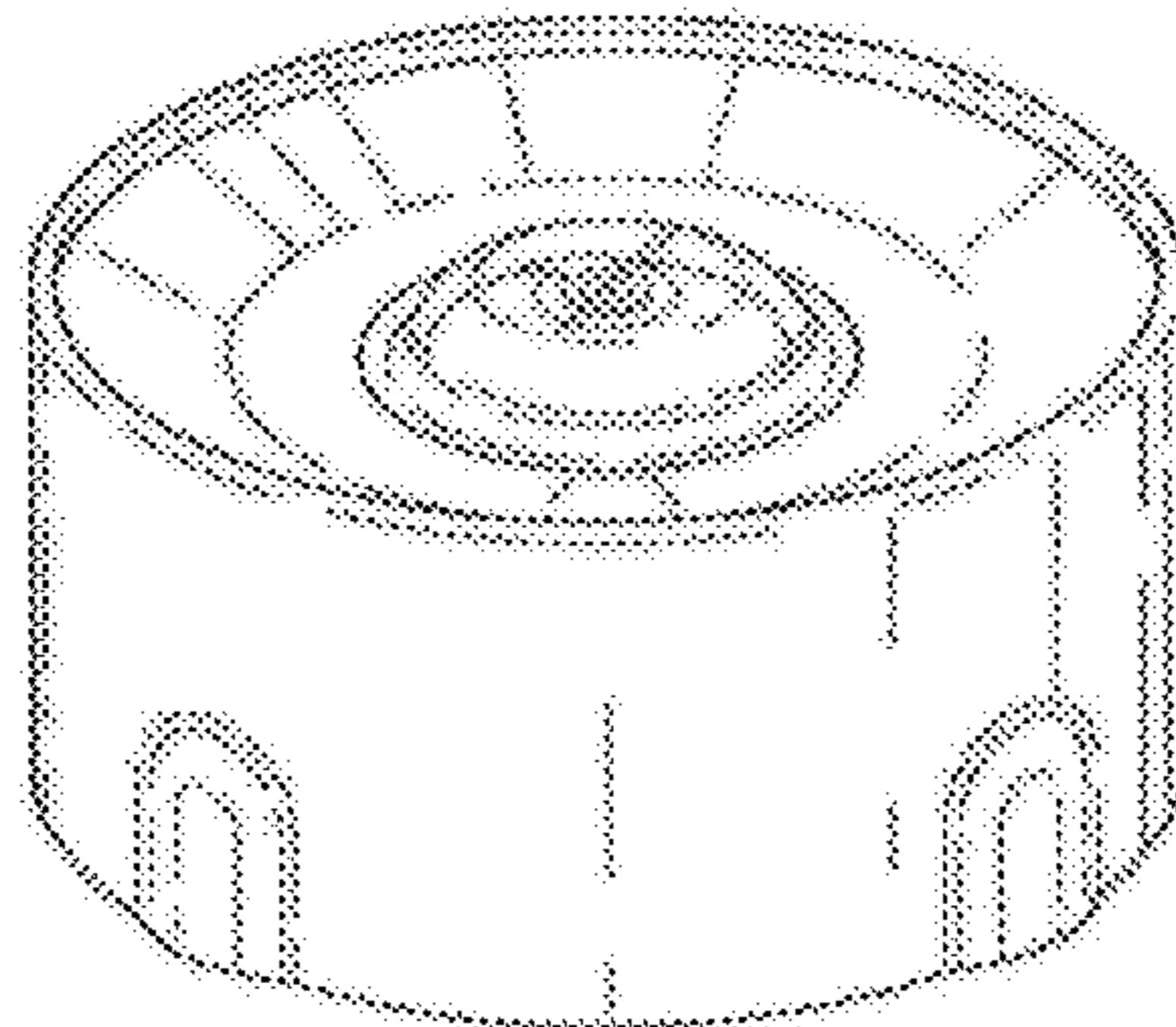
(57) **CLAIM**

The ornamental design for a detergent dispensing device lid, as shown and described.

DESCRIPTION

FIG. 1 is a front perspective view of my detergent dispensing device lid
FIG. 2 is a front elevational view thereof;
FIG. 3 is a rear elevational view thereof;
FIG. 4 is a left side elevational view thereof;
FIG. 5 is right side elevational view thereof;
FIG. 6 is a top plan view thereof; and,
FIG. 7 is a bottom plan view thereof.
The broken line showing of details in FIGS. 1, 3, 4, 5, 6 and 7 are included for the purpose of showing the environmental portions of the detergent dispensing device lid and forms no part of the claimed design.

1 Claim, 5 Drawing Sheets



US D670,468 S

Page 2

U.S. PATENT DOCUMENTS

6,681,963	B2	1/2004	Hague et al.	
D513,928	S *	1/2006	Birdsell et al.	D7/397
D526,043	S *	8/2006	Thompson	D23/208
D529,128	S *	9/2006	Lee	D23/209
D539,993	S *	4/2007	Brandt	D32/3
7,219,518	B2	5/2007	Aouad et al.	
D547,912	S *	7/2007	Brandt	D32/3
D564,141	S *	3/2008	Gaa et al.	D32/3
D564,142	S *	3/2008	Gaa et al.	D32/3
D564,143	S *	3/2008	Gaa et al.	D32/3
D568,555	S *	5/2008	Gaa et al.	D32/3
7,421,867	B2	9/2008	Bongini	
7,428,831	B2	9/2008	Cho et al.	
D601,766	S *	10/2009	Gaa et al.	D32/3
D604,466	S *	11/2009	Gaa et al.	D32/29.1
D608,960	S *	1/2010	Gaa et al.	D32/3
2002/0108969	A1	8/2002	Rodd et al.	
2002/0117187	A1	8/2002	Helmingner	
2003/0052138	A1	3/2003	Smith	
2003/0182732	A1	10/2003	Davenet et al.	
2004/0206133	A1	10/2004	Woo et al.	
2004/0216499	A1	11/2004	Bongini	
2005/0039781	A1	2/2005	Song et al.	
2005/0109860	A1	5/2005	Chiang et al.	
2006/0258556	A1	11/2006	Holderbaum et al.	
2007/0000068	A1	1/2007	Gerard France et al.	
2008/0053187	A1	3/2008	Koring	

FOREIGN PATENT DOCUMENTS

DE	19652733	A1	6/1998
DE	19740819		5/1999
DE	19836857		2/2000
DE	19930771	A1	1/2001
EP	0 457 137		5/1991
EP	0481547		4/1992

EP	0521179		1/1993
EP	0906747		4/1999
FR	2723752		2/1996
GB	820327		9/1959
GB	1142238		2/1969
GB	1198251		7/1970
GB	1592357		7/1981
GB	2104109	A	3/1983
GB	2339678		2/2000
GB	2356842		6/2001
GB	2386129		9/2003
GB	2386130	A	9/2003
GB	2402604	A	12/2004
GB	2402679		12/2004
GB	2406821	A	4/2005
GB	2417492	A	3/2006
JP	2006061450		3/2006
WO	8806199	A1	8/1988
WO	96 38638		12/1996
WO	9712539		4/1997
WO	0107702	A	2/2001
WO	0107703	A1	2/2001
WO	0276278		3/2002
WO	9220893	A	3/2002
WO	02058528	A1	8/2002
WO	03 07 39 06		9/2003
WO	03073907	A2	9/2003
WO	2004033297		4/2004
WO	2004041248		5/2004
WO	2004044303	A	5/2004
WO	2004059068		7/2004
WO	2004 08 55 95		10/2004
WO	2008/053187	A1	5/2005
WO	2006 021760	A1	3/2006
WO	2007 05 19 89		5/2007
WO	2007 083142	A1	7/2007

* cited by examiner

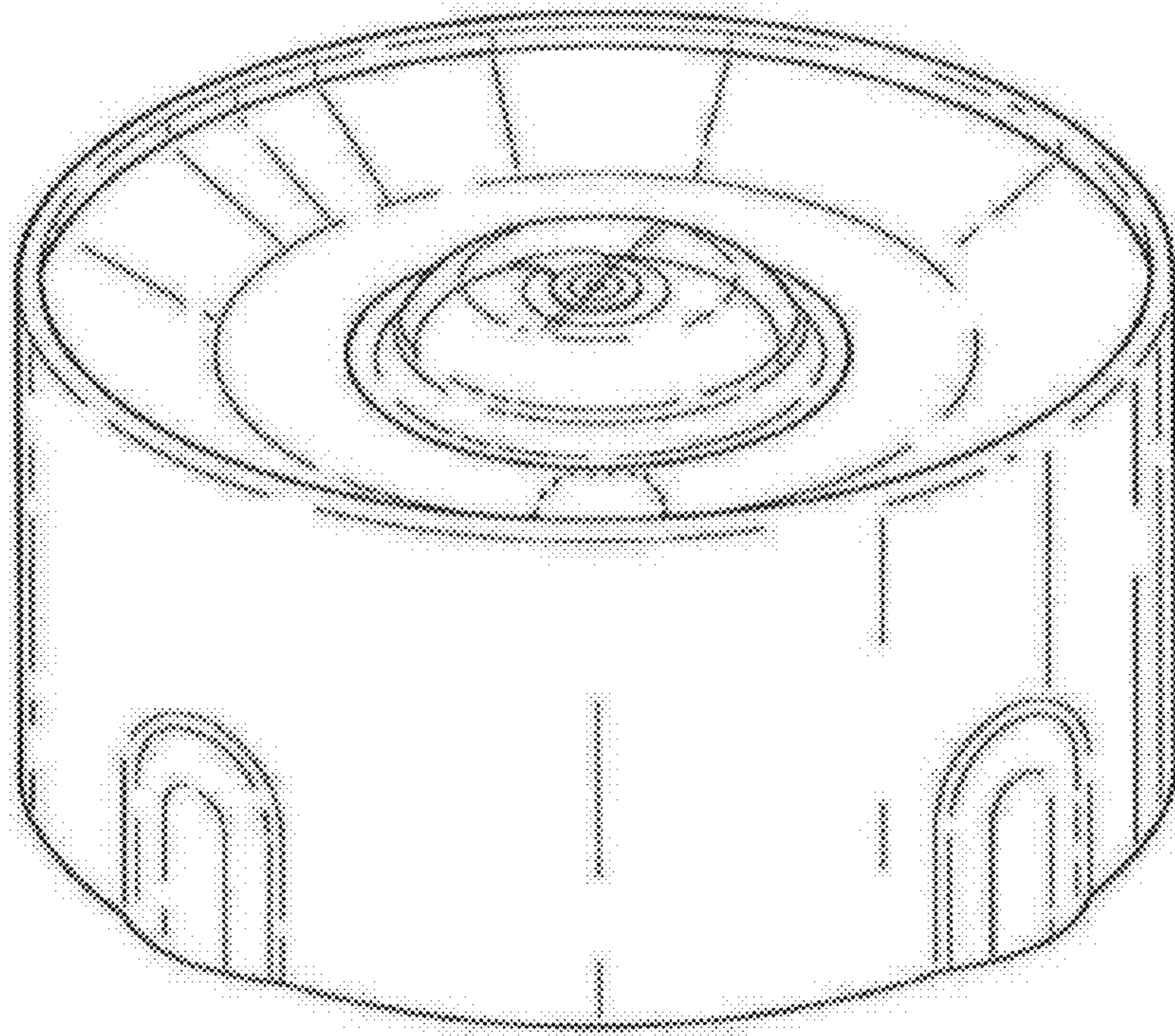


Fig. 1.

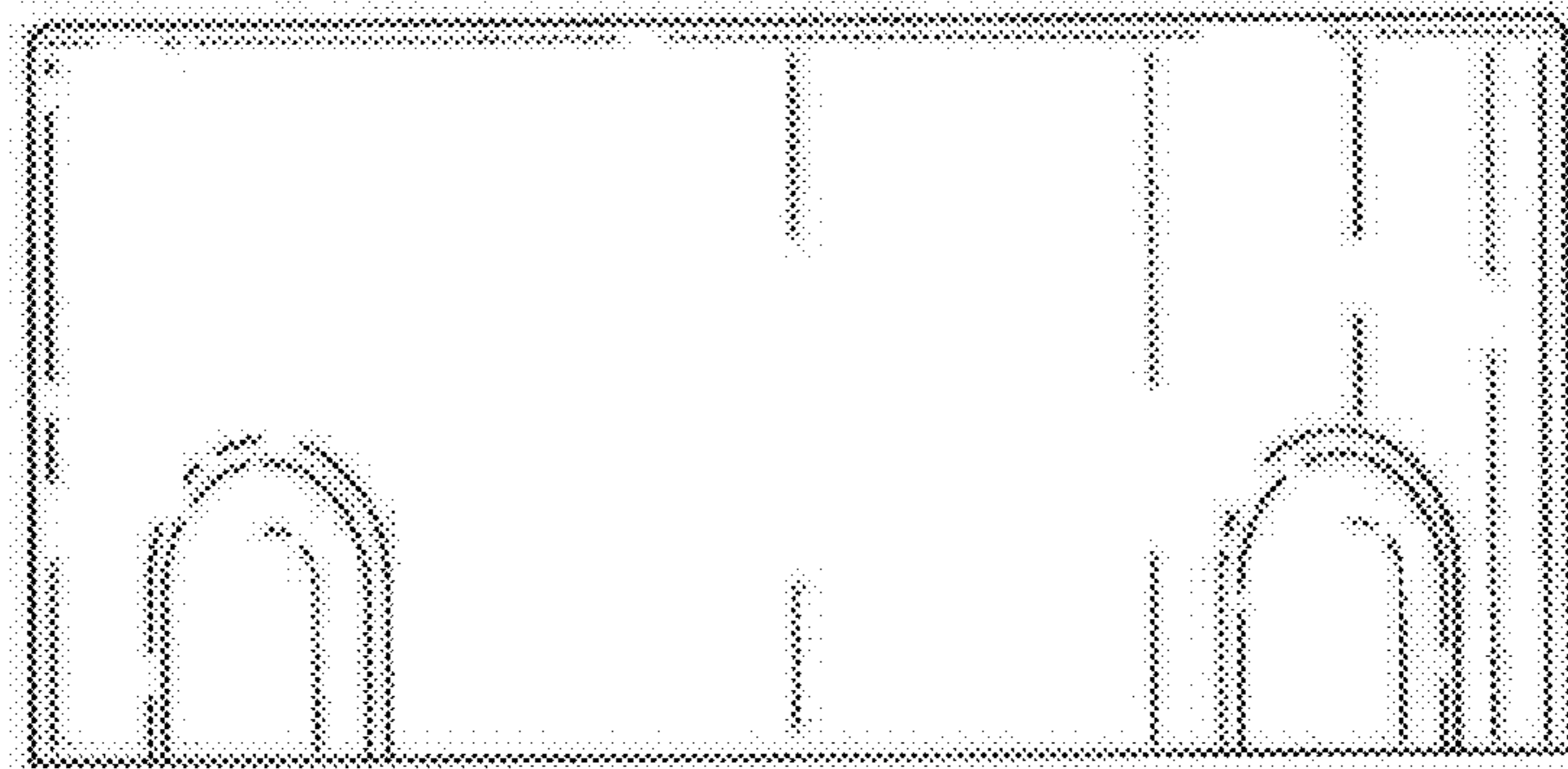


Fig.2.

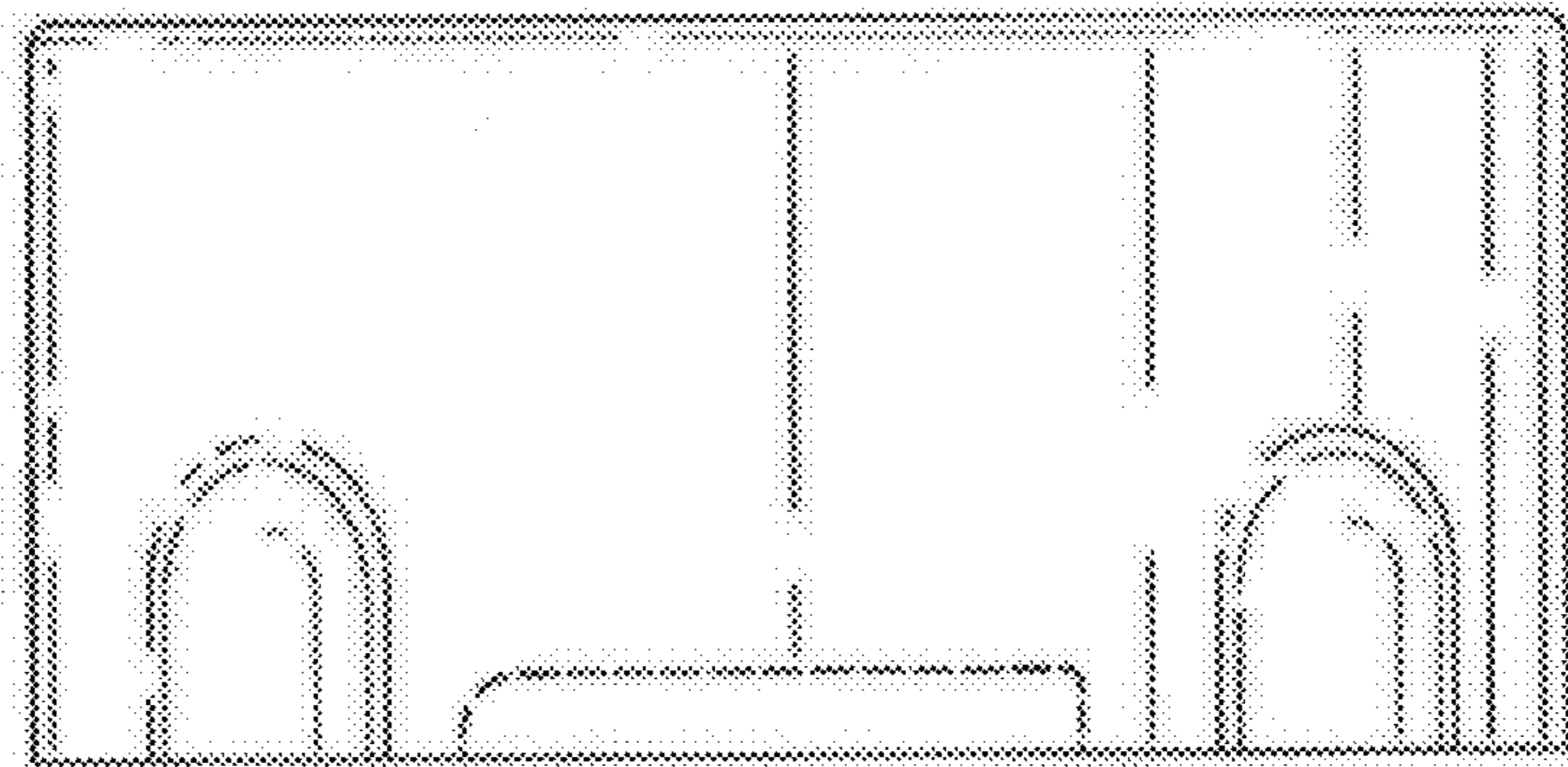


Fig.3.

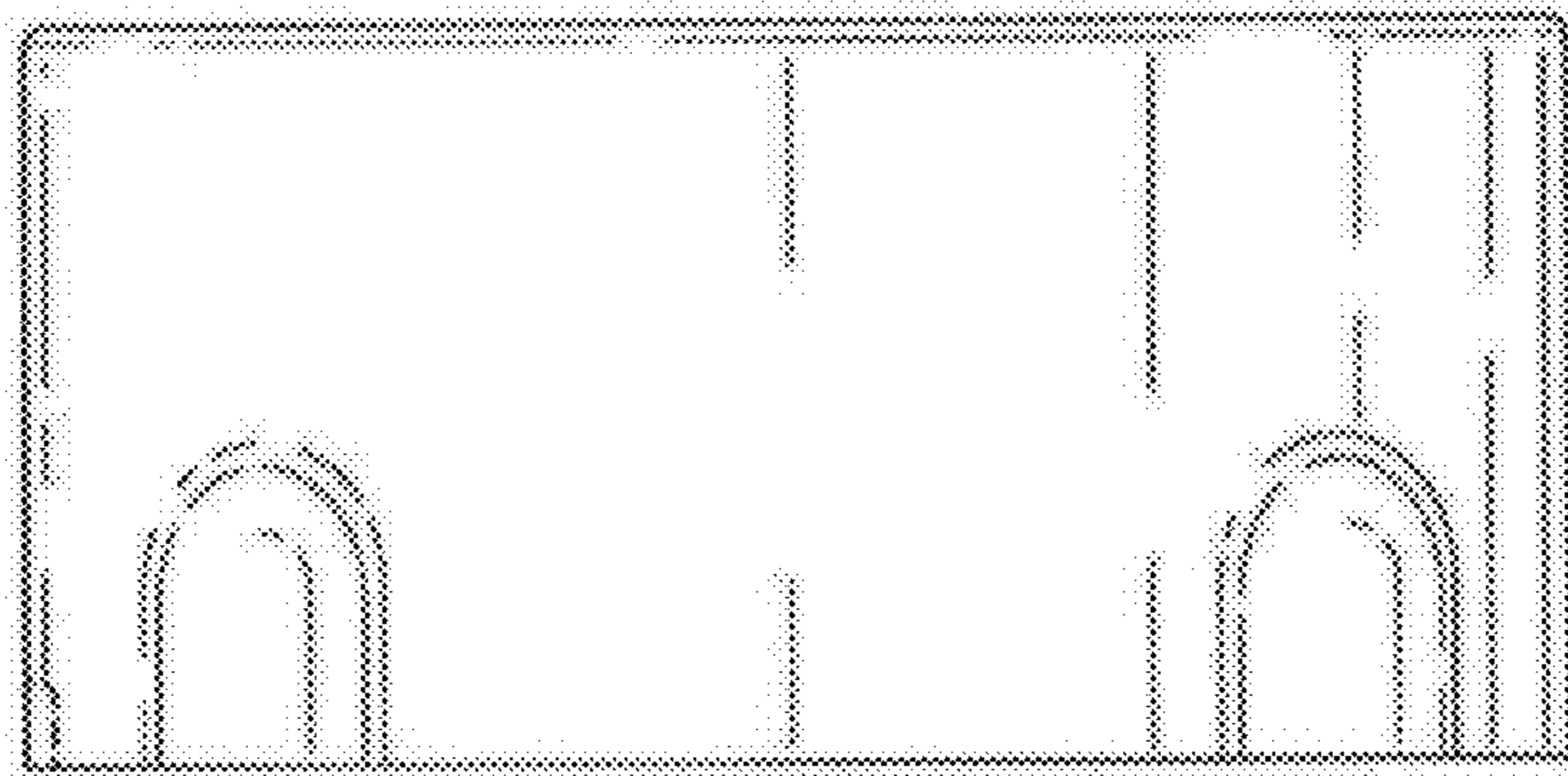


Fig. 4.

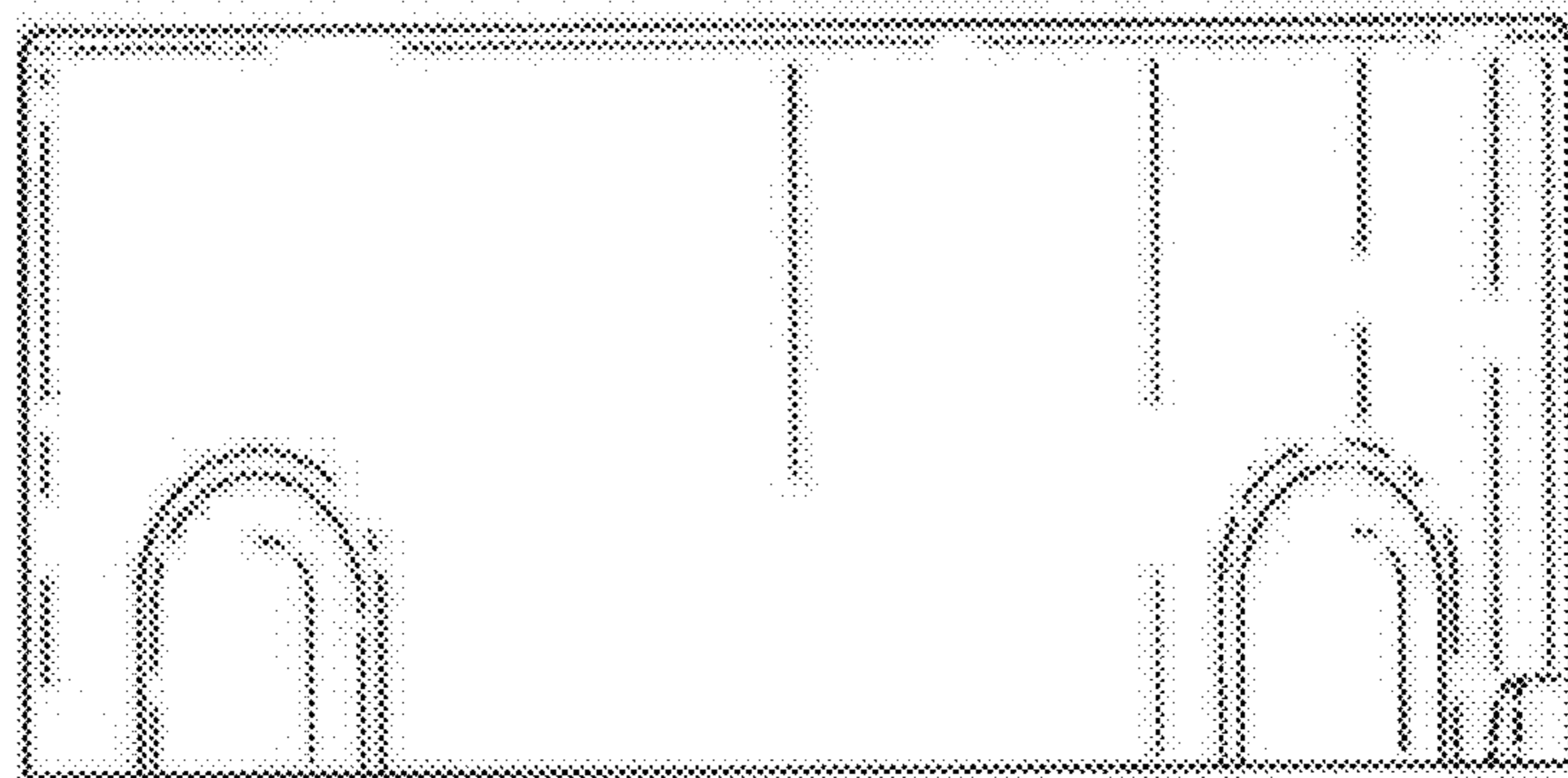


Fig. 5.

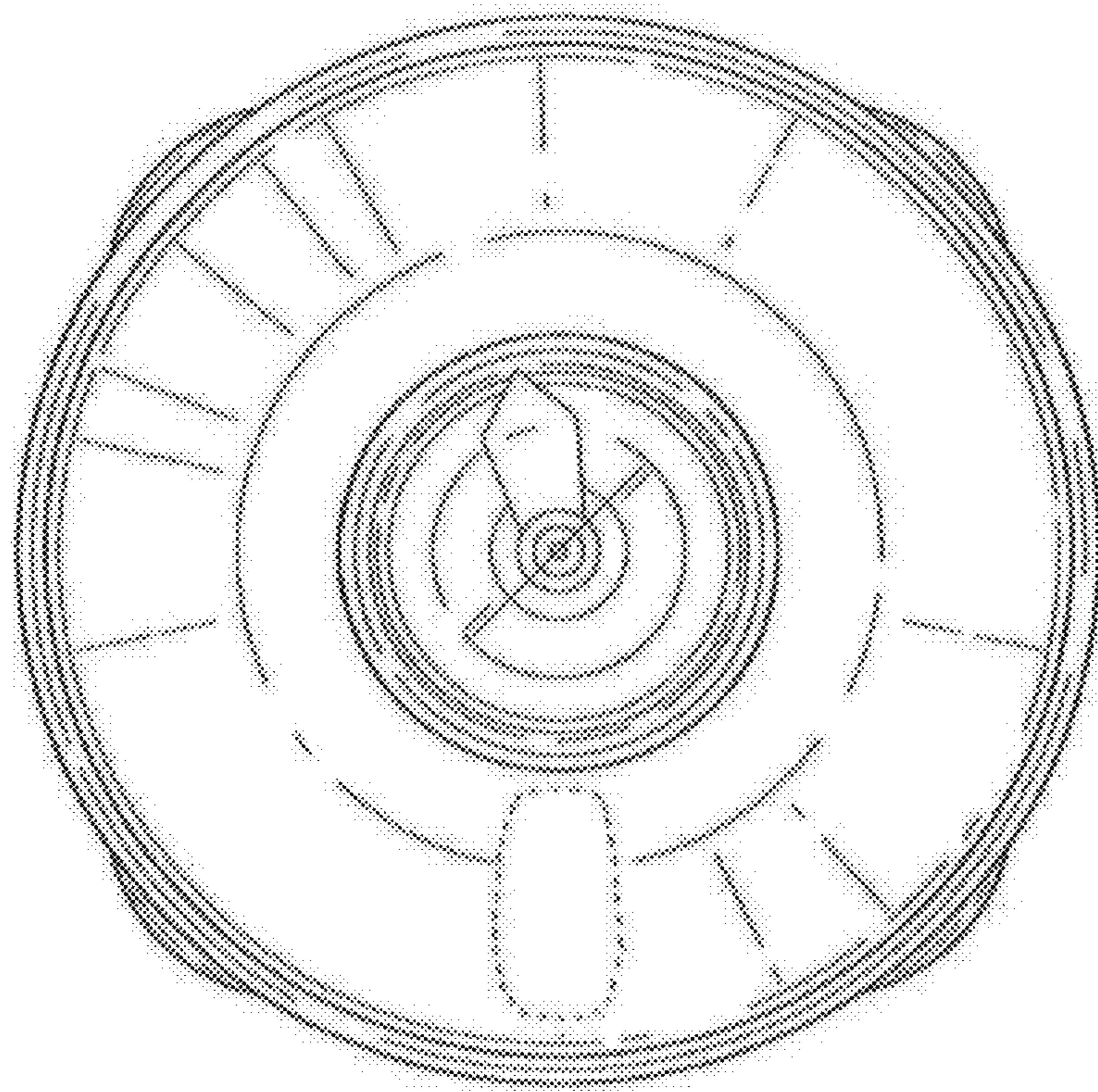


Fig. 6.

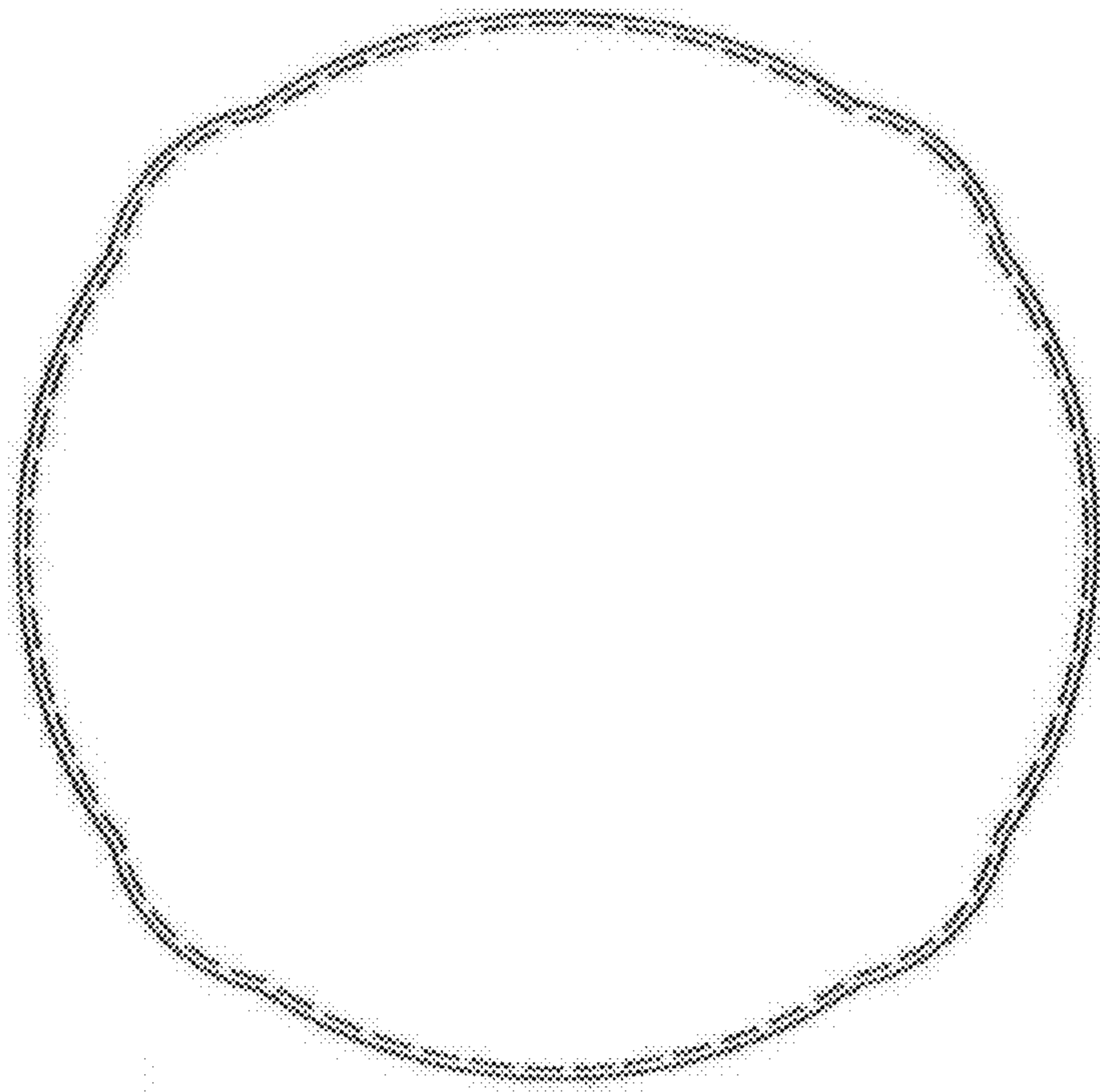


Fig.7.