



US00D670457S

(12) **United States Design Patent**
Eng

(10) **Patent No.:** **US D670,457 S**

(45) **Date of Patent:** **** Nov. 6, 2012**

(54) **DISHWASHER DOOR**

(75) Inventor: **Lindsay Eng**, Long Beach, CA (US)

(73) Assignee: **BSH Home Appliances Corporation**,
Irvine, CA (US)

(**) Term: **14 Years**

(21) Appl. No.: **29/418,058**

(22) Filed: **Apr. 12, 2012**

(51) **LOC (9) Cl.** **15-05**

(52) **U.S. Cl.** **D32/3**

(58) **Field of Classification Search** D32/1,
D32/2, 3, 25, 28; 312/31, 109, 228; 134/56 D,
134/57 D, 58 D, 58 DL, 201; D7/340, 348,
D7/349, 350, 405

See application file for complete search history.

(56) **References Cited**

U.S. PATENT DOCUMENTS

D385,070	S	*	10/1997	Hughes et al.	D32/3
D424,257	S	*	5/2000	Umeda et al.	D32/2
6,893,061	B2	*	5/2005	Miller et al.	292/303
D539,992	S	*	4/2007	Yamamoto et al.	D32/2
7,216,944	B2	*	5/2007	Oyler et al.	312/311
D544,657	S	*	6/2007	Jung et al.	D32/2
D554,305	S		10/2007	Pietruska		
D559,477	S		1/2008	Pietruska		
D577,869	S	*	9/2008	Tartan et al.	D32/2
D580,603	S		11/2008	Busalt et al.		
D613,467	S	*	4/2010	Park et al.	D32/6
D617,510	S		6/2010	Kaczmarek		

(Continued)

OTHER PUBLICATIONS

U.S. Appl. No. 29/405,771, filed Nov. 7, 2011.

(Continued)

Primary Examiner — T. Chase Nelson

Assistant Examiner — Kathleen M Sims

(74) *Attorney, Agent, or Firm* — James E. Howard; Andre Pallapies

(57) **CLAIM**

The ornamental design for a dishwasher door, as shown and described.

DESCRIPTION

FIG. 1 is a front perspective view, from the top, of a dishwasher door according to a first embodiment showing my new ornamental design;

FIG. 2 is a front view thereof;

FIG. 3 is a top view thereof;

FIG. 4 is a left side view thereof, with the right hand side view thereof being a mirror image thereof;

FIG. 5 is a front perspective view thereof from the bottom;

FIG. 6 is another front perspective view thereof from the bottom;

FIG. 7 is a front perspective view, from the top, of a dishwasher door according to a second embodiment showing my new ornamental design;

FIG. 8 is a front view thereof;

FIG. 9 is a top view thereof;

FIG. 10 is a left side view thereof, with the right hand side view thereof being a mirror image thereof;

FIG. 11 is a front perspective view thereof from the bottom;

FIG. 12 is another front perspective view thereof from the bottom;

FIG. 13 is a front perspective view, from the top, of a dishwasher door according to an third embodiment showing my new ornamental design;

FIG. 14 is a front view thereof;

FIG. 15 is a top view thereof;

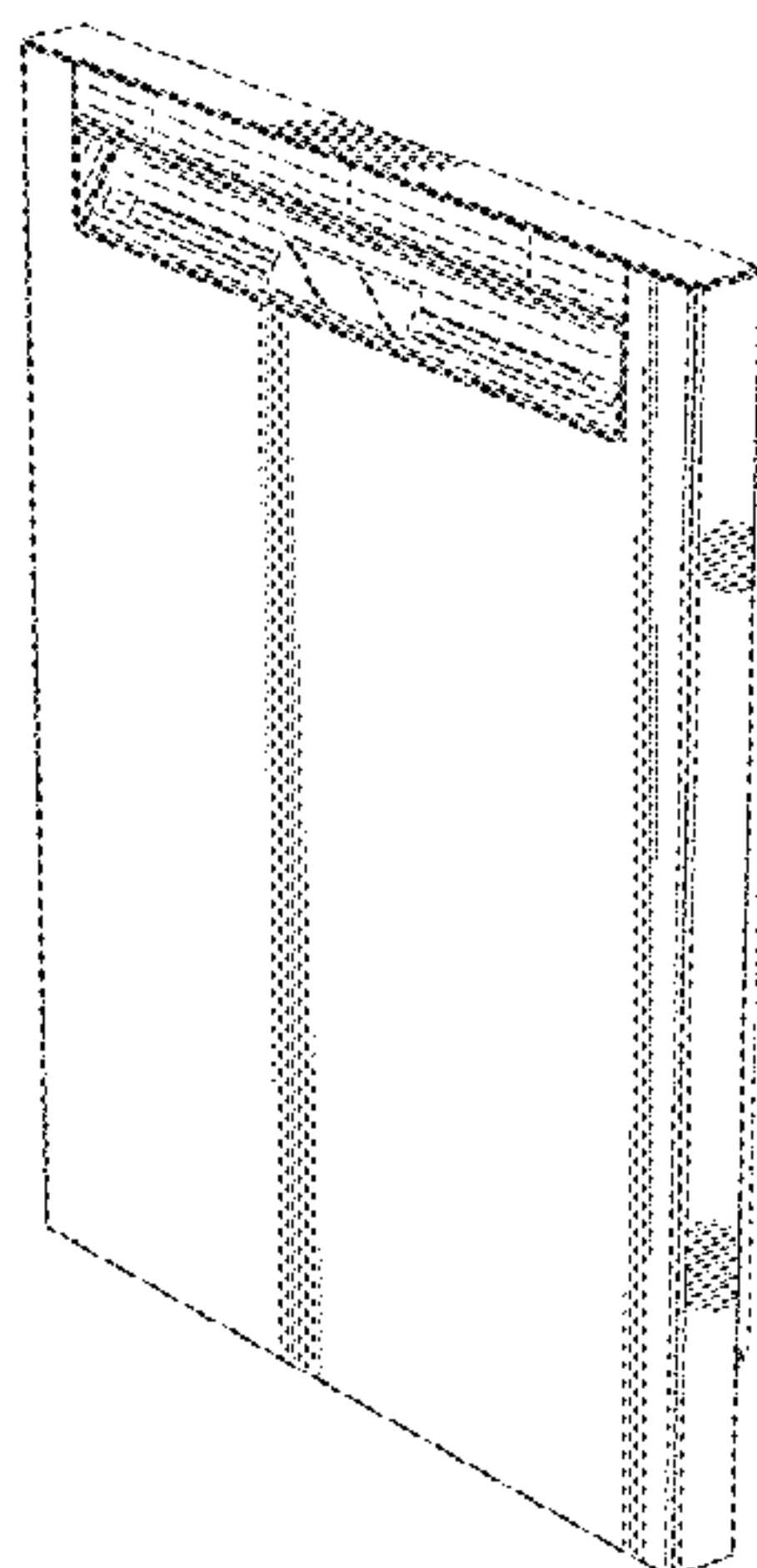
FIG. 16 is a left side view thereof, with the right hand side view thereof being a mirror image thereof;

FIG. 17 is a front perspective view thereof, taken from the bottom; and,

FIG. 18 is another front perspective view thereof, taken from the bottom.

The broken line showing of details in FIGS. 1, 3, and 4 is included for the purpose of showing environmental portions of the dishwasher door and forms no part of the claimed design.

1 Claim, 15 Drawing Sheets



US D670,457 S

Page 2

U.S. PATENT DOCUMENTS

D618,403 S 6/2010 Kaczmarek
D618,404 S 6/2010 Jenkins et al.
D618,405 S 6/2010 Ott
D618,406 S 6/2010 Ott
D620,648 S 7/2010 Grobleben et al.
D627,937 S * 11/2010 Kim D32/2
D629,574 S 12/2010 Kaczmarek
D629,979 S 12/2010 Kaczmarek
D630,804 S 1/2011 Ott
D630,805 S 1/2011 Ott
D630,806 S 1/2011 Kaczmarek
D633,664 S 3/2011 Jenkins et al.
D635,311 S 3/2011 Ott
D635,312 S 3/2011 Kaczmarek
D640,429 S 6/2011 Grobleben et al.

D641,939 S 7/2011 Ott
D642,751 S 8/2011 Jenkins et al.
D645,620 S 9/2011 Ott
D645,621 S 9/2011 Jenkins et al.
D647,916 S 11/2011 Kaczmarek
D648,740 S 11/2011 Kaczmarek
D649,559 S 11/2011 Kaczmarek
D653,821 S 2/2012 Grobleben et al.
2003/0030288 A1* 2/2003 Miller et al. 292/303

OTHER PUBLICATIONS

U.S. Appl. No. 29/403,660, filed Oct. 10, 2011.
U.S. Appl. No. 29/403,659, filed Oct. 10, 2011.

* cited by examiner

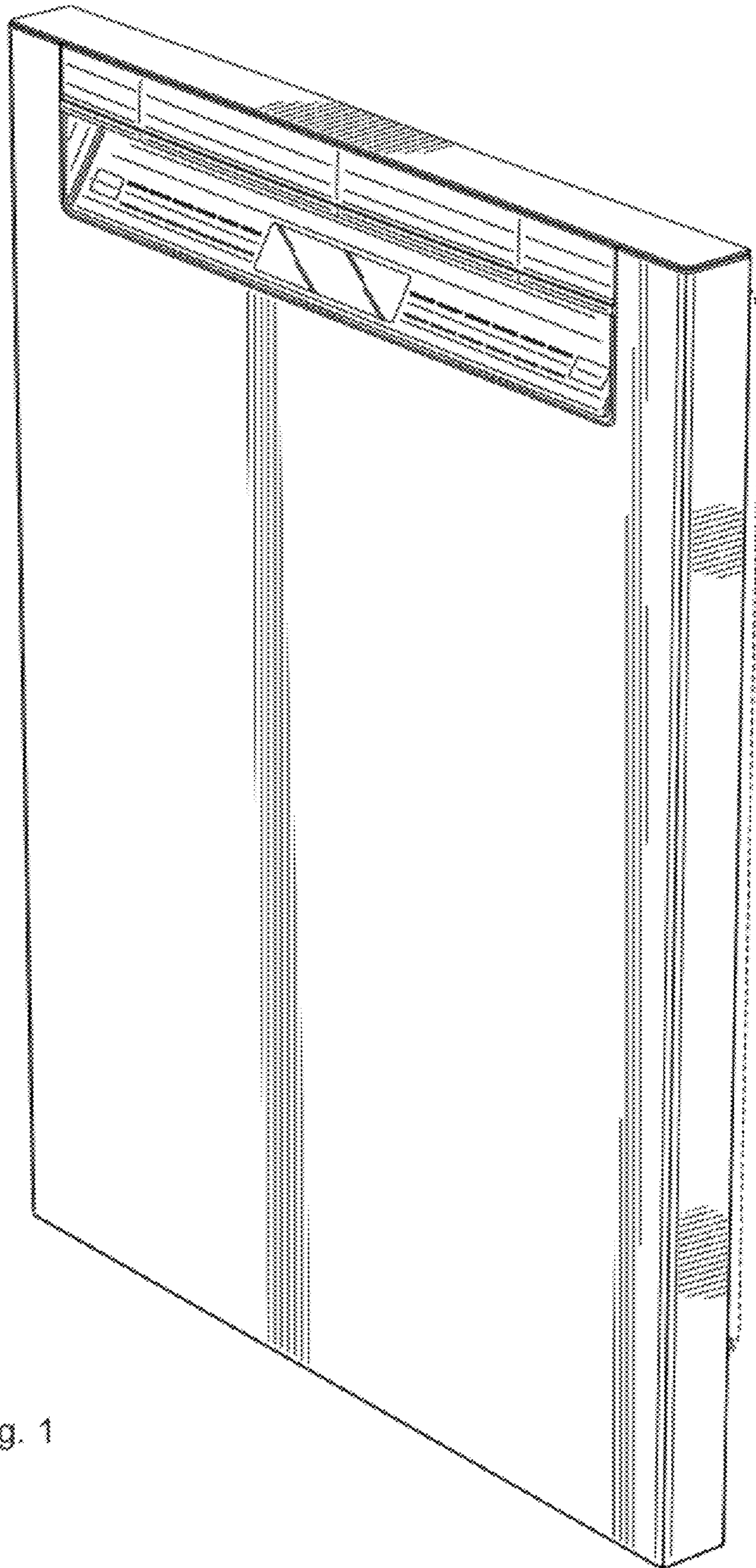


Fig. 1

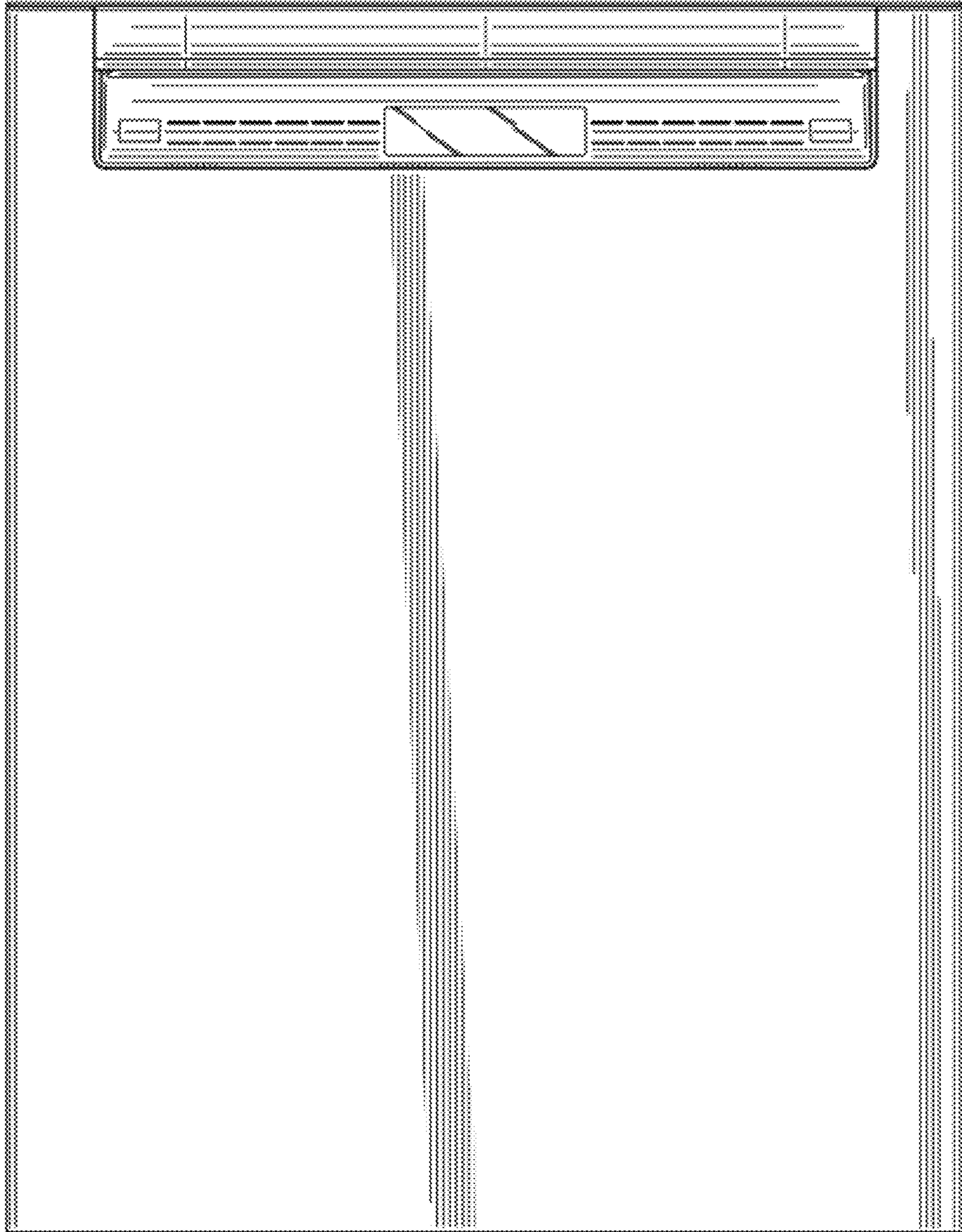


Fig. 2

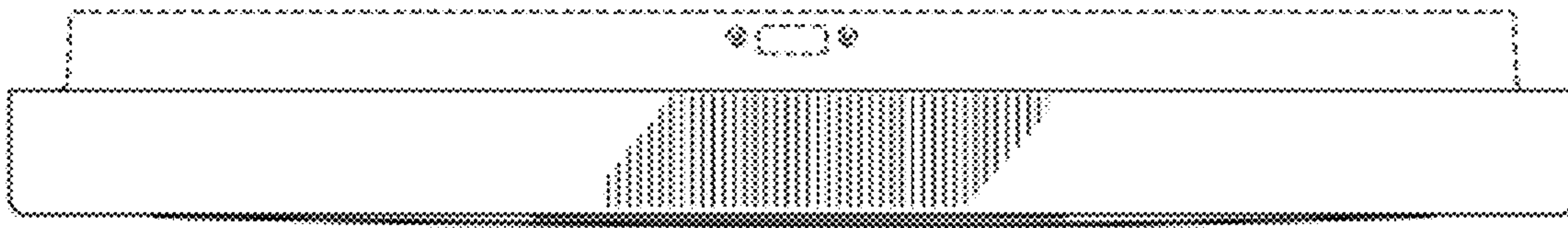


Fig. 3

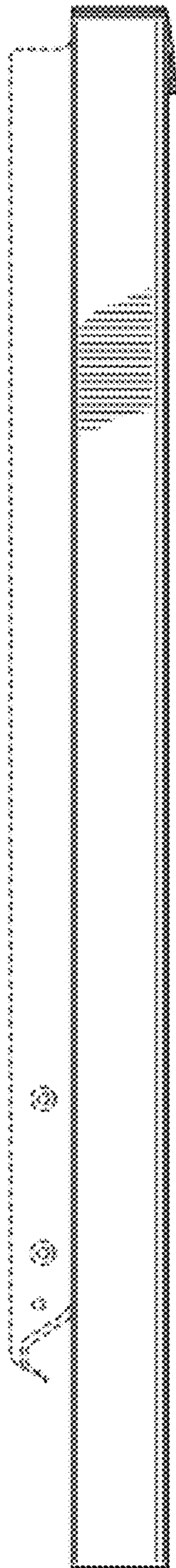


Fig. 4

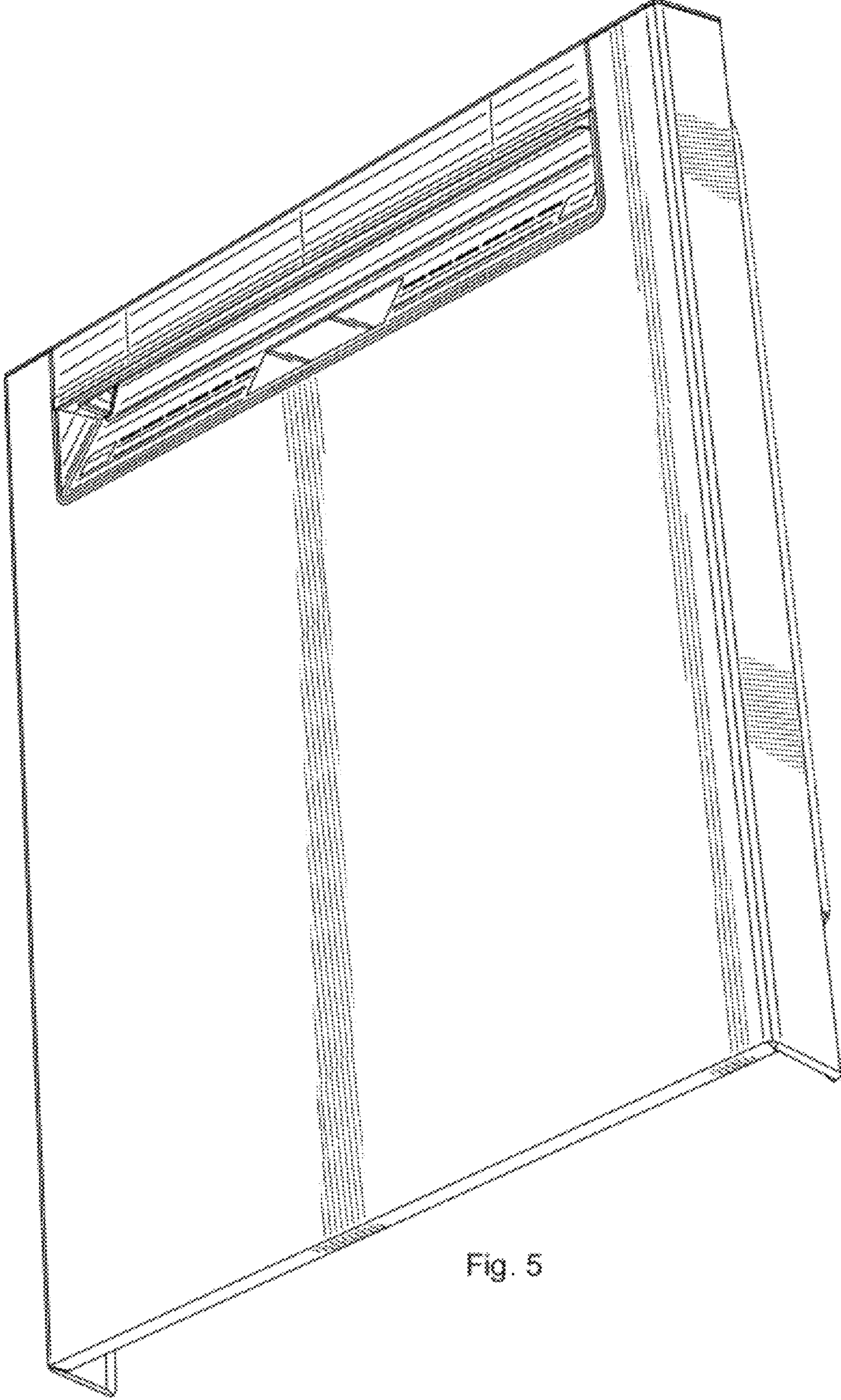


Fig. 5

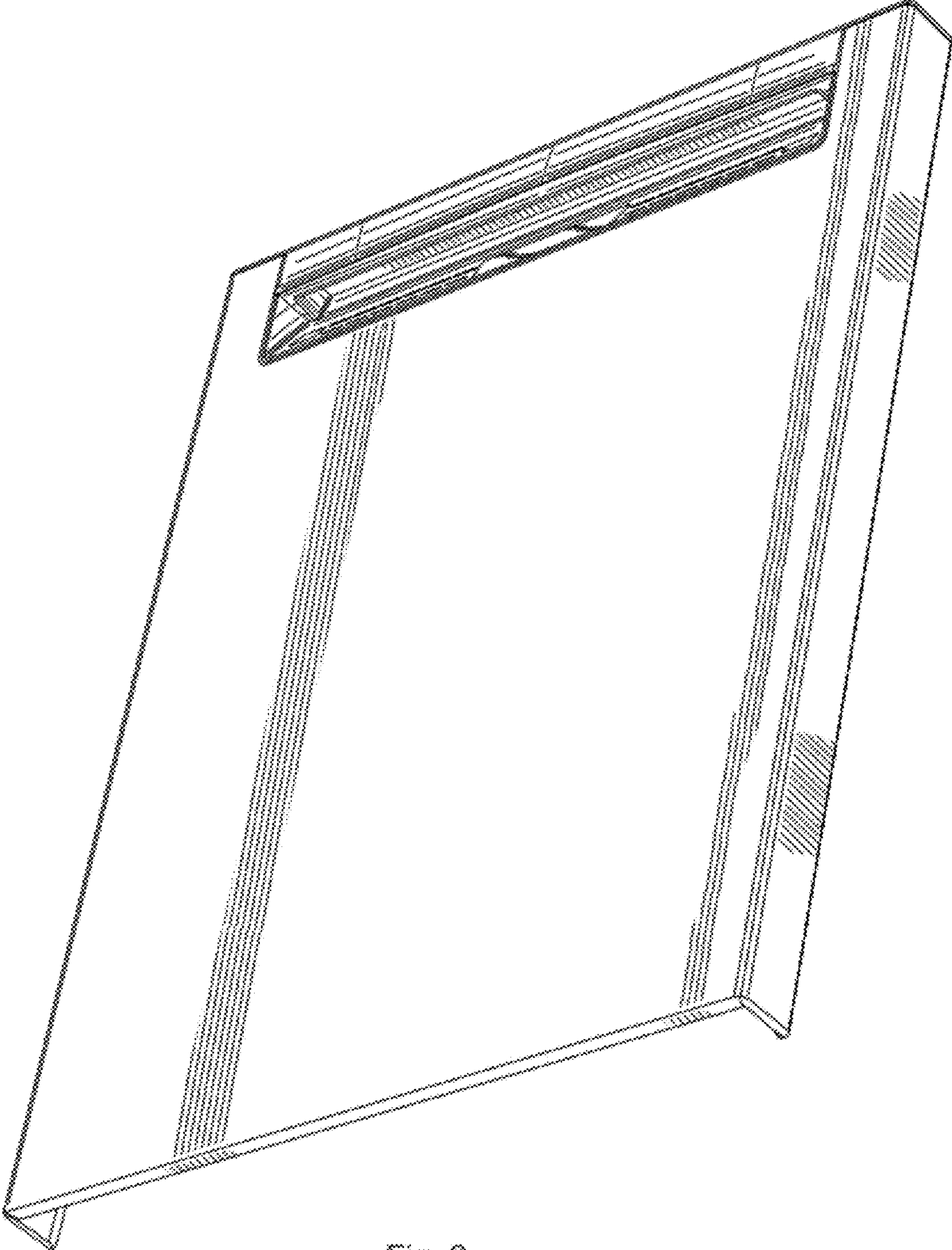


Fig. 6

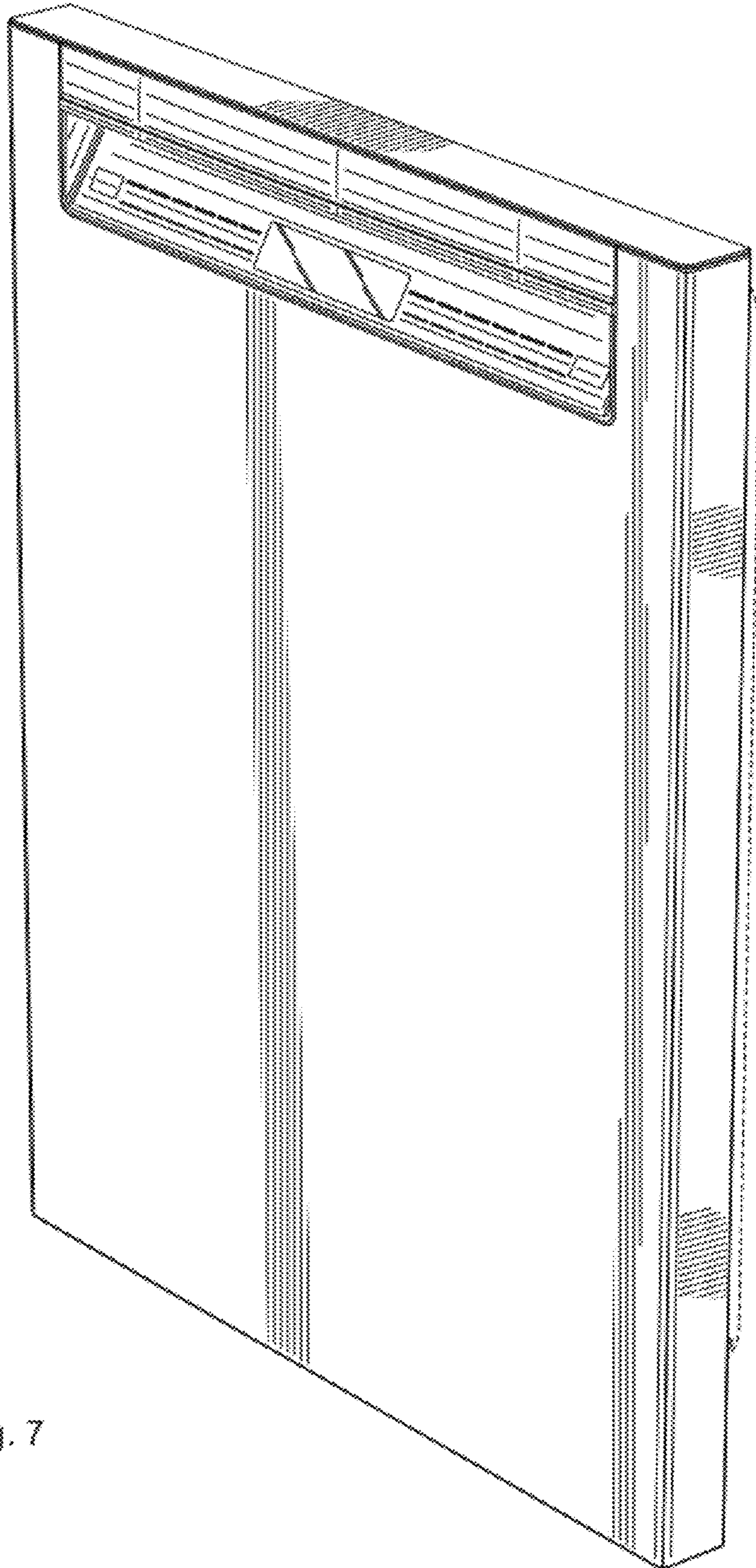


Fig. 7

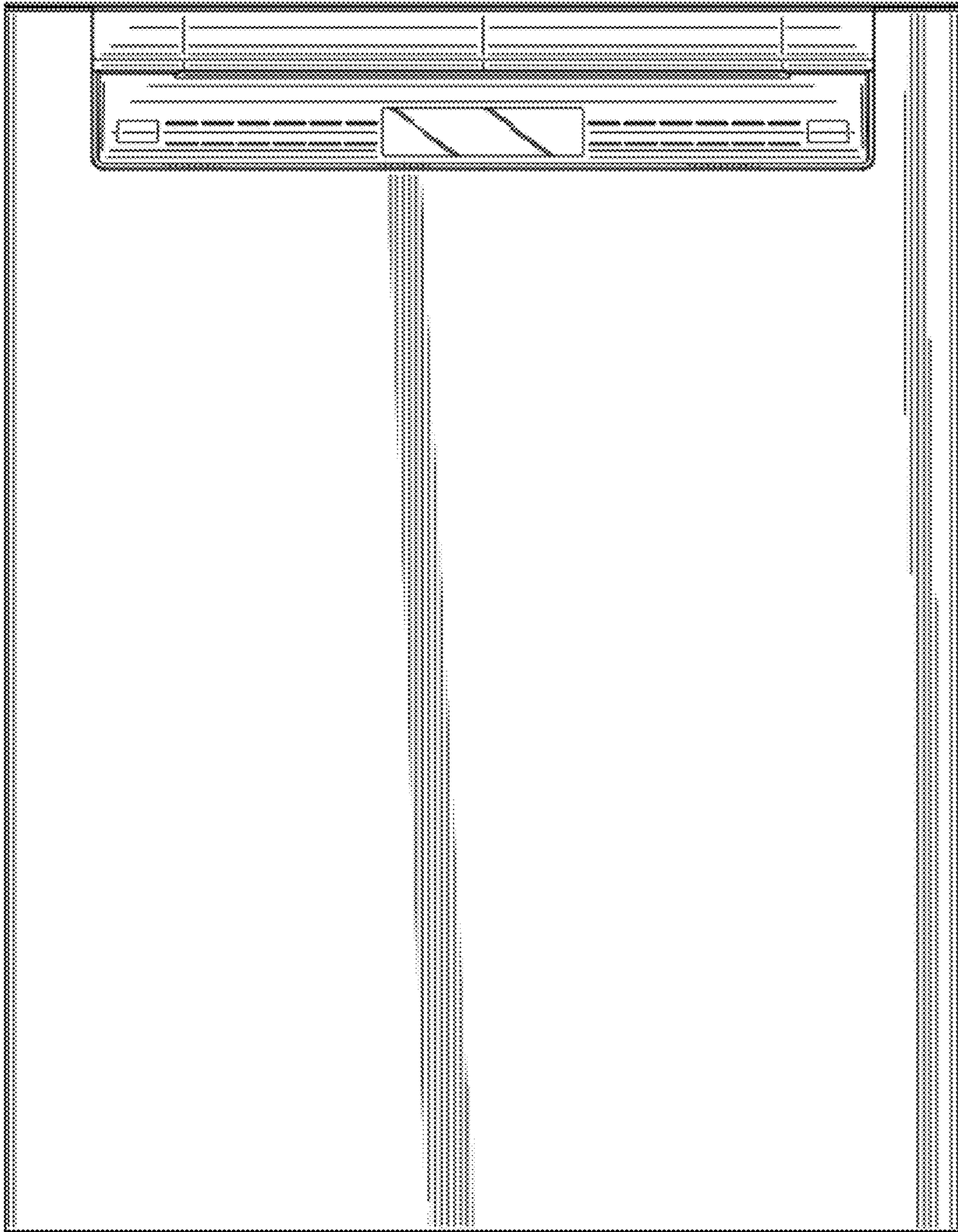


Fig. 8

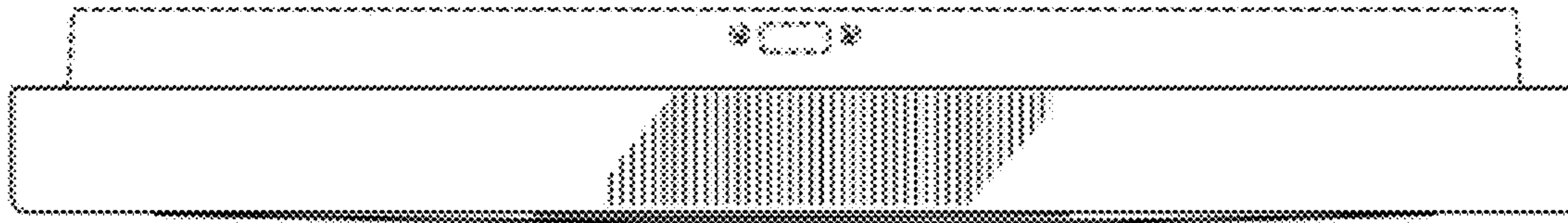


Fig. 9

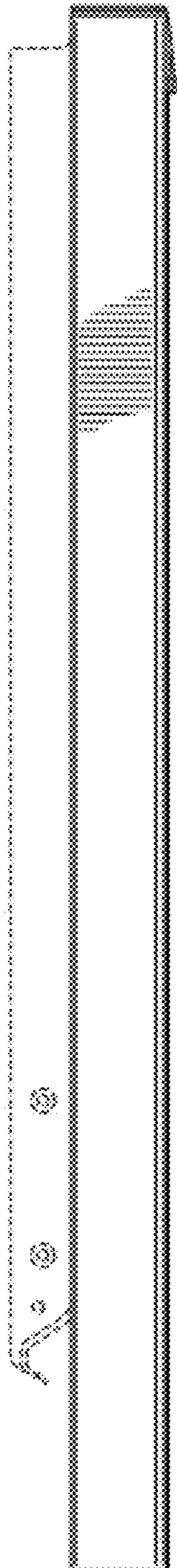


Fig. 10

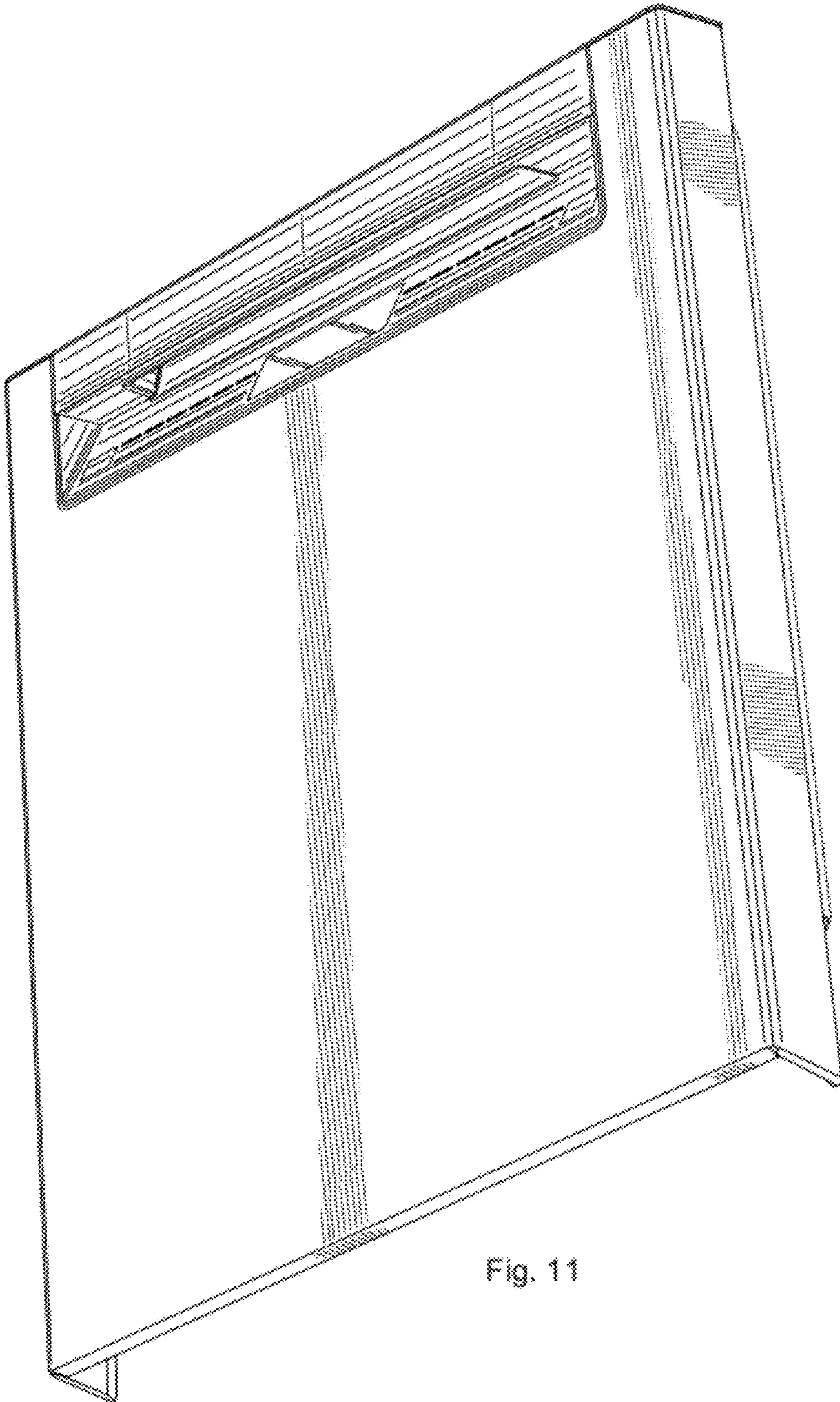


Fig. 11

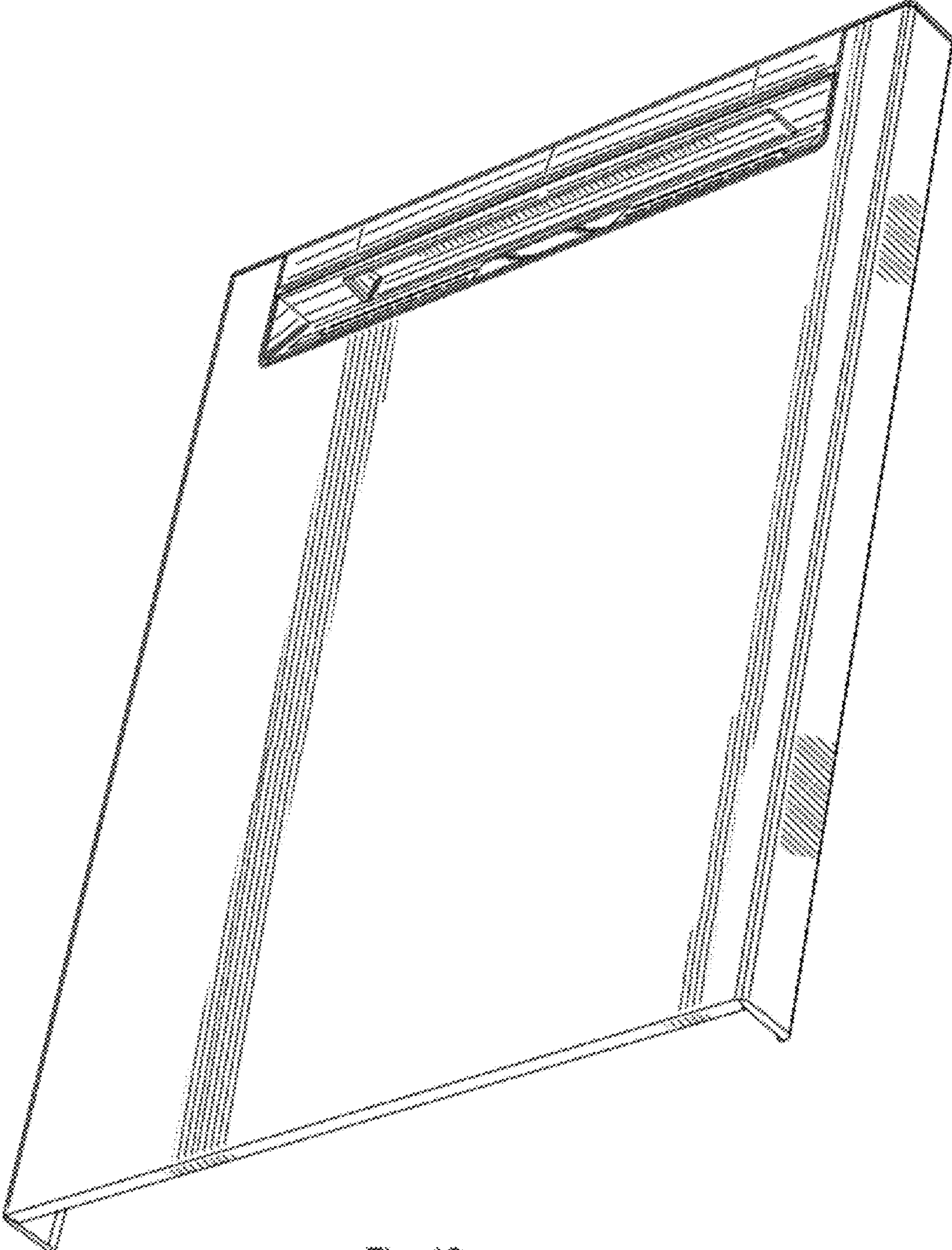


Fig. 12

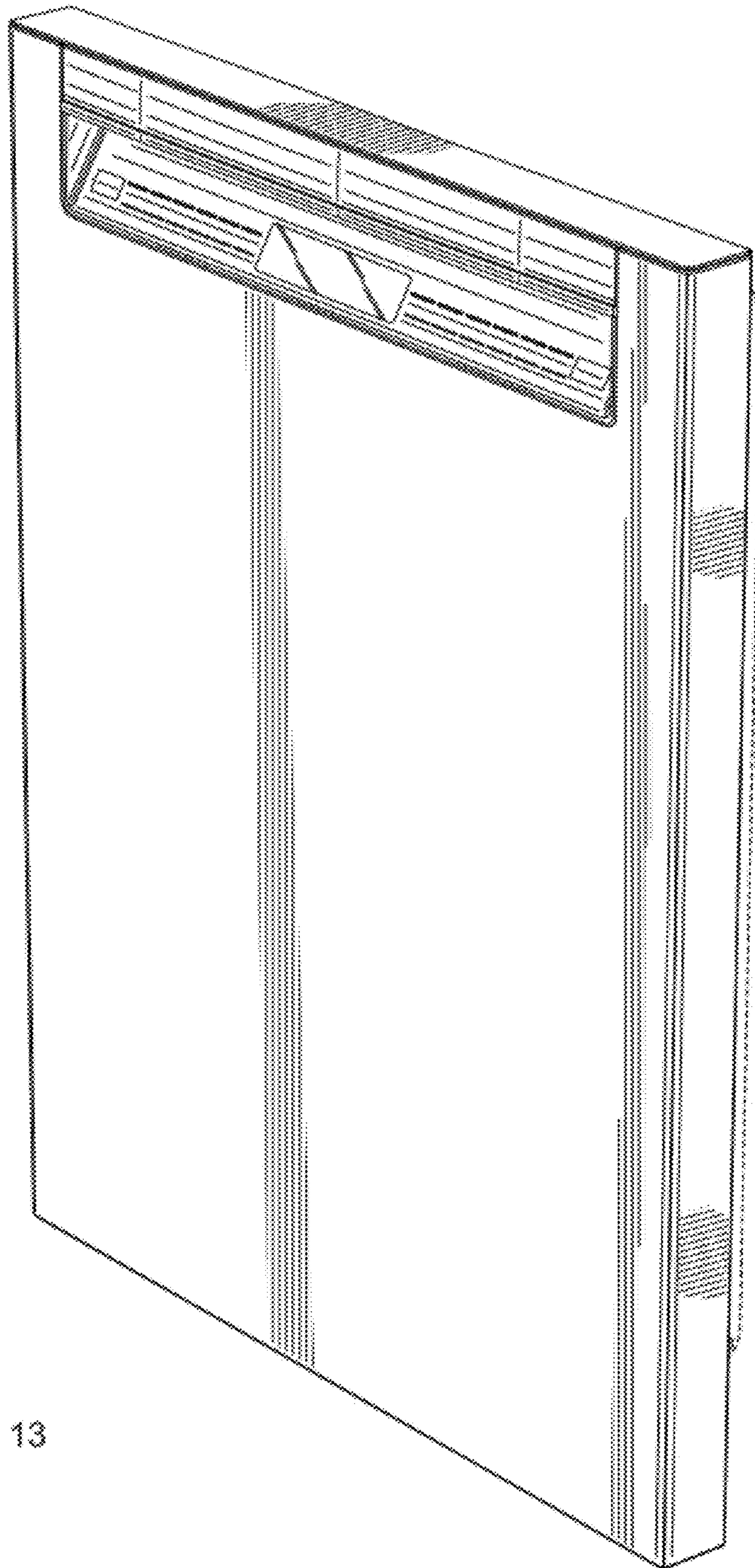


Fig. 13

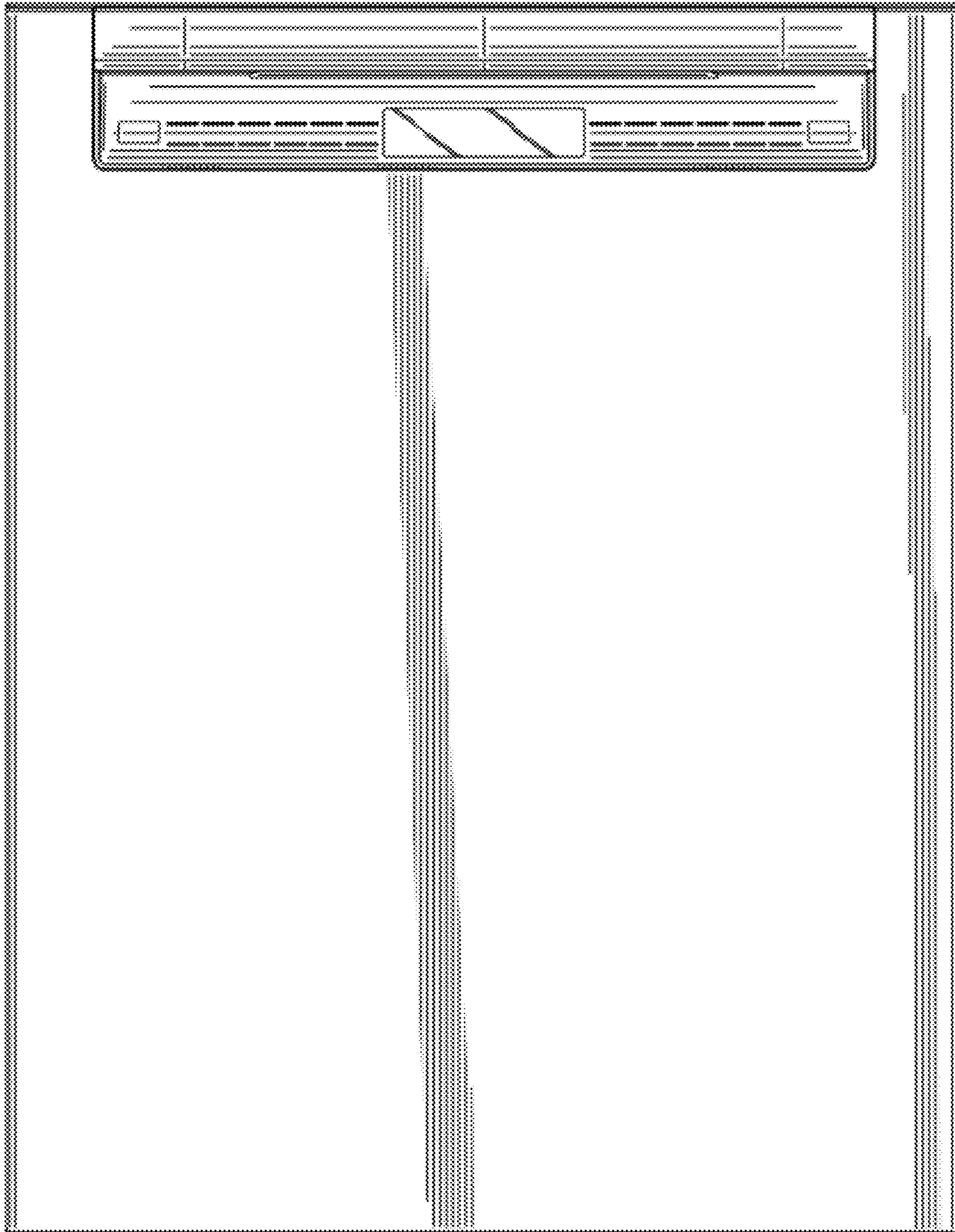


Fig. 14

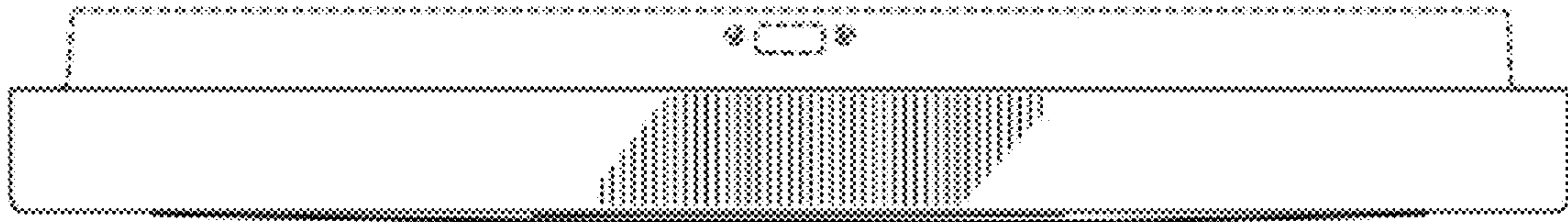


Fig. 15

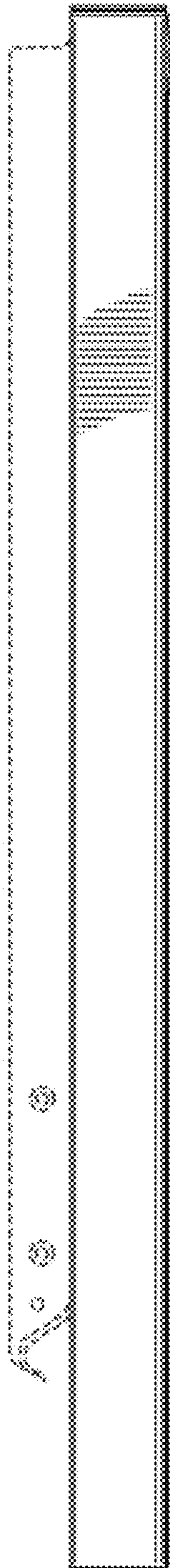


Fig. 16

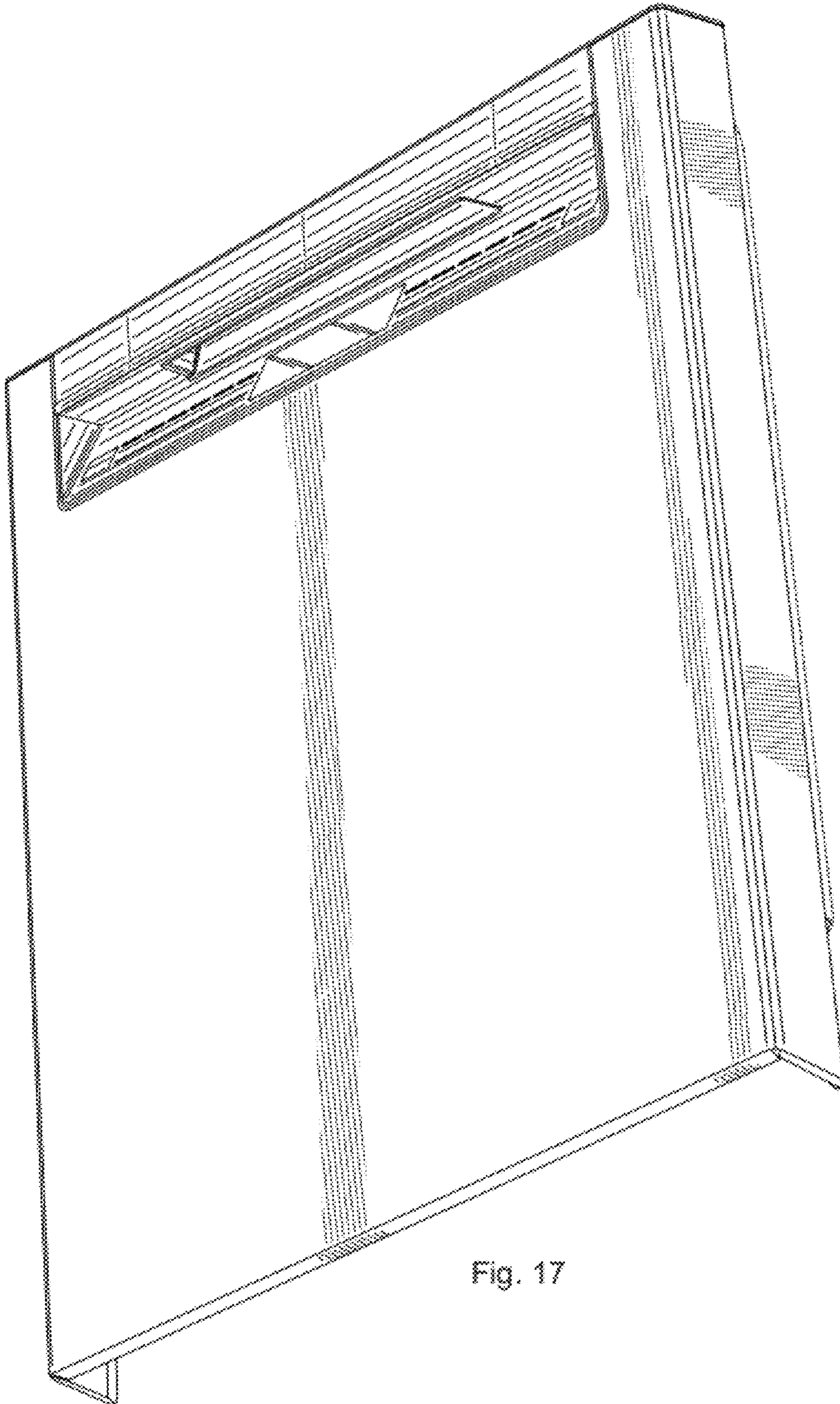


Fig. 17

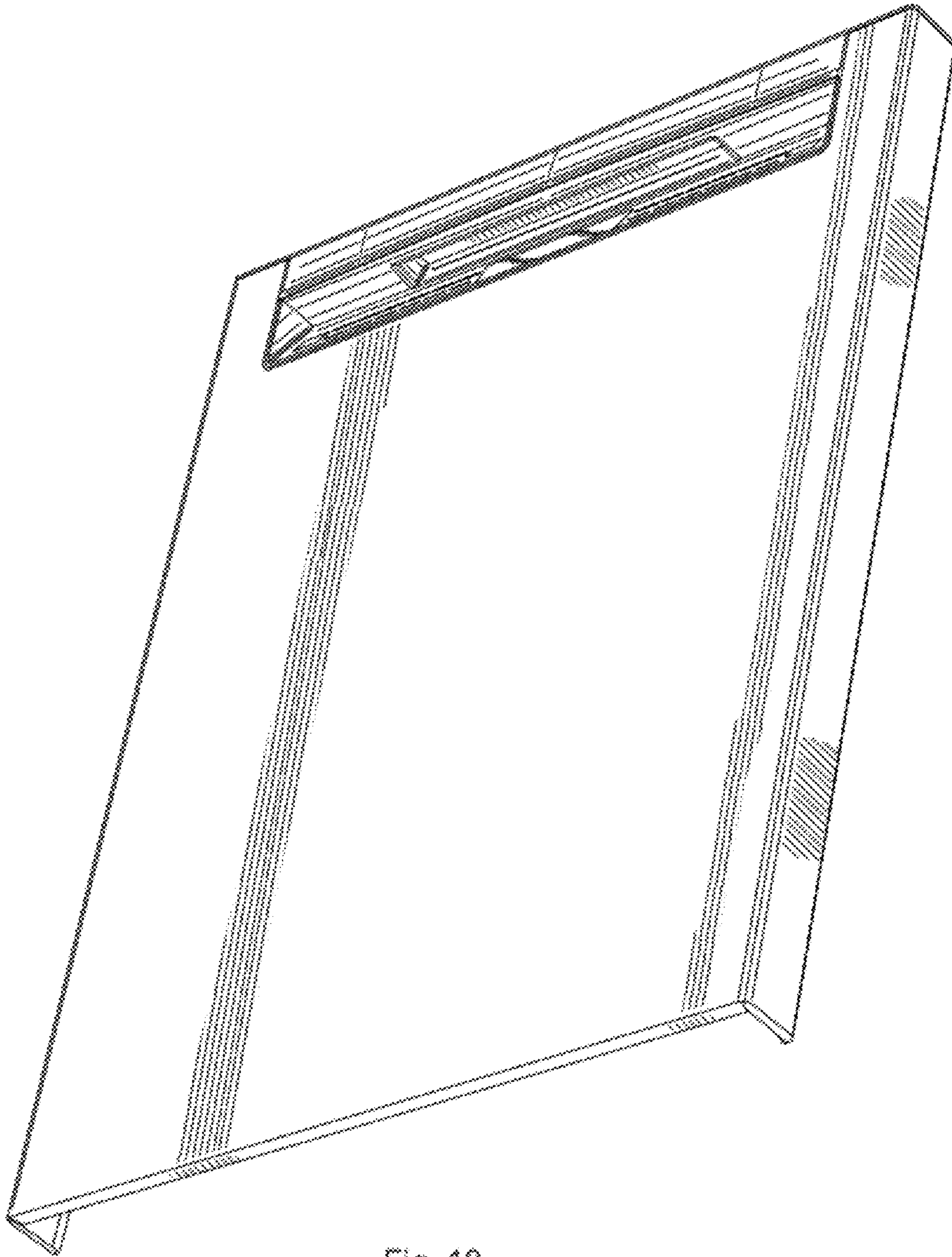


Fig. 18