



US00D670456S

(12) **United States Design Patent**  
**Gardner**

(10) **Patent No.:** **US D670,456 S**

(45) **Date of Patent:** **\*\* Nov. 6, 2012**

(54) **RIDER SIMULATION APPARATUS**

(76) Inventor: **Larry Gardner**, New Waverly, TX (US)

(\*\*) Term: **14 Years**

(21) Appl. No.: **29/398,016**

(22) Filed: **Jul. 25, 2011**

(51) **LOC (9) Cl.** ..... **30-99**

(52) **U.S. Cl.** ..... **D30/199; D30/135; D30/134**

(58) **Field of Classification Search** ..... D30/134,  
D30/135, 199; 54/44.1-44.7, 46.1, 1, 46.2,  
54/71, 23, 66, 37.1, 79.1, 79.2, 69; D6/354,  
D6/502; D21/828, 832; 119/720, 712, 856,  
119/859; 340/573.3; 224/905; 434/247;  
318/16

See application file for complete search history.

(56) **References Cited**

U.S. PATENT DOCUMENTS

13,864	A *	12/1855	Campbell	.....	54/44.1
136,155	A *	2/1873	Groff et al.	.....	54/66
199,067	A *	1/1878	Hoff	.....	224/199
501,821	A *	7/1893	Browne	.....	224/582
554,843	A *	2/1896	Smoot	.....	224/582
893,199	A *	7/1908	Schaller	.....	54/37.1
2,153,326	A	4/1939	Crouter		
3,349,978	A *	10/1967	Little et al.	.....	224/247
3,672,075	A	6/1972	Eikelenboom		
4,171,760	A *	10/1979	Gay	.....	224/241
D254,343	S *	3/1980	Babcock	.....	D3/231
4,190,968	A	3/1980	Clapp et al.		
D254,698	S *	4/1980	Tawil	.....	D3/231
4,644,902	A *	2/1987	Doyle	.....	119/497
4,651,678	A	3/1987	Kime		
D292,847	S *	11/1987	Barker	.....	D3/231
4,733,780	A *	3/1988	Jensen	.....	206/554
4,765,276	A	8/1988	Kime		

D298,477	S *	11/1988	Spivey	.....	D30/135
4,879,865	A *	11/1989	Van Scoyk	.....	54/66
4,905,458	A	3/1990	Johnston et al.		
4,957,444	A	9/1990	Armen		
D313,677	S *	1/1991	Hammon et al.	.....	D30/152
5,004,136	A *	4/1991	Leath	.....	224/148.5
5,097,706	A	3/1992	Le Nouvel et al.		
5,201,448	A *	4/1993	Schue	.....	224/675
D341,553	S *	11/1993	Clawson	.....	D12/106
D350,849	S *	9/1994	Dancyger	.....	D3/228
5,429,515	A	7/1995	Greenwood		
5,501,379	A *	3/1996	Munoz	.....	224/240
5,560,321	A *	10/1996	Hess	.....	119/858
5,586,521	A *	12/1996	Kelley	.....	119/858

(Continued)

*Primary Examiner* — Susan Moon Lee

(74) *Attorney, Agent, or Firm* — Scott D. Compton; The Compton Law Firm, PC

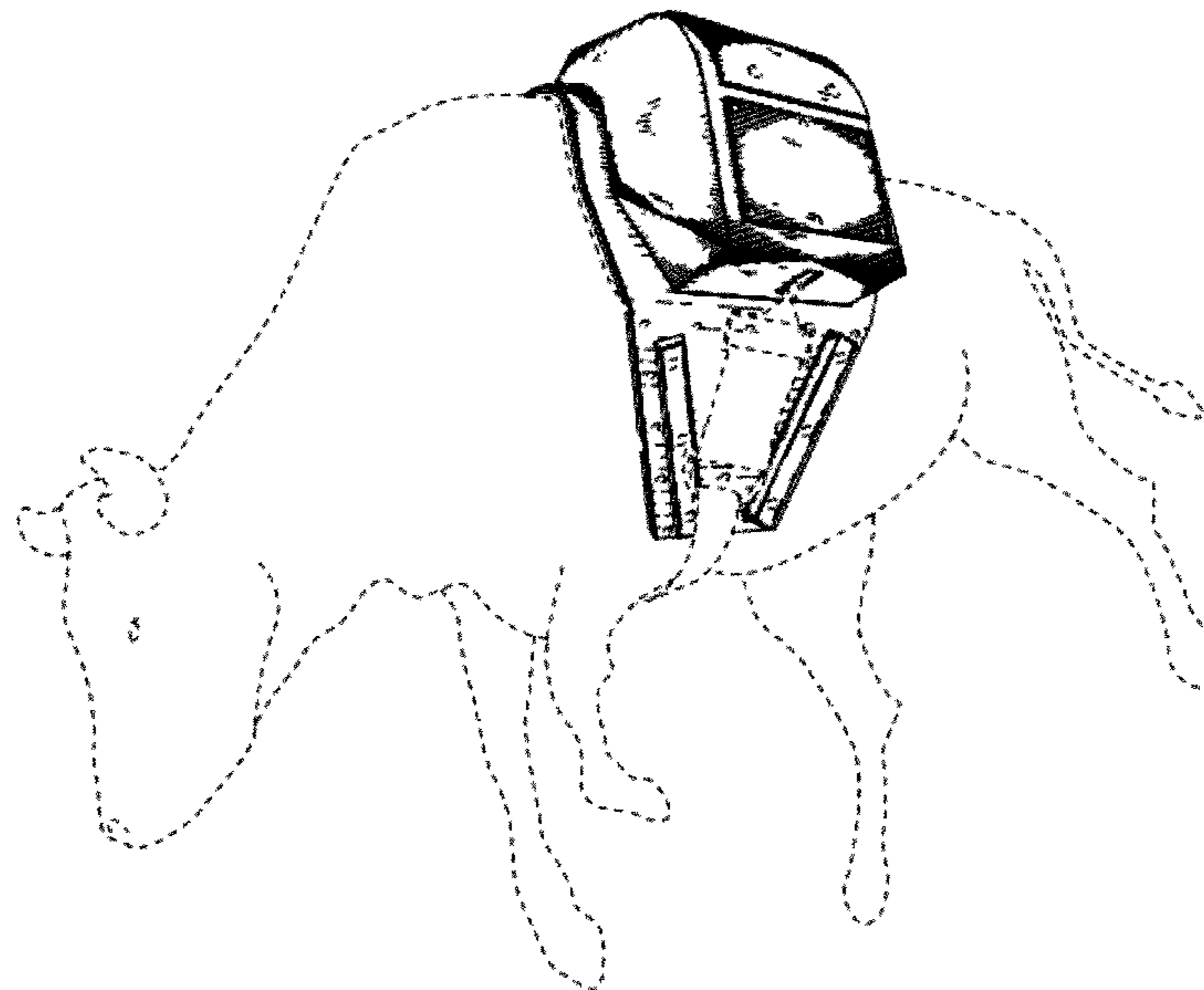
(57) **CLAIM**

The ornamental design for a rider simulation apparatus, as shown and described.

**DESCRIPTION**

FIG. 1 is a rear perspective view of a rider simulation apparatus showing my new design; FIG. 2 is a rear view of the rider simulation apparatus; FIG. 3 is a front view of the rider simulation apparatus; FIG. 4 is a right side view of the rider simulation apparatus; FIG. 5 is a left side view of the rider simulation apparatus; FIG. 6 is a top view of the rider simulation apparatus; FIG. 7 is a bottom view of the rider simulation apparatus; and, FIG. 8 is a perspective view of the rider simulation apparatus. The broken lines of the Figures illustrate environmental structure and portions of the rider simulation apparatus which form no part of the claimed design.

**1 Claim, 5 Drawing Sheets**



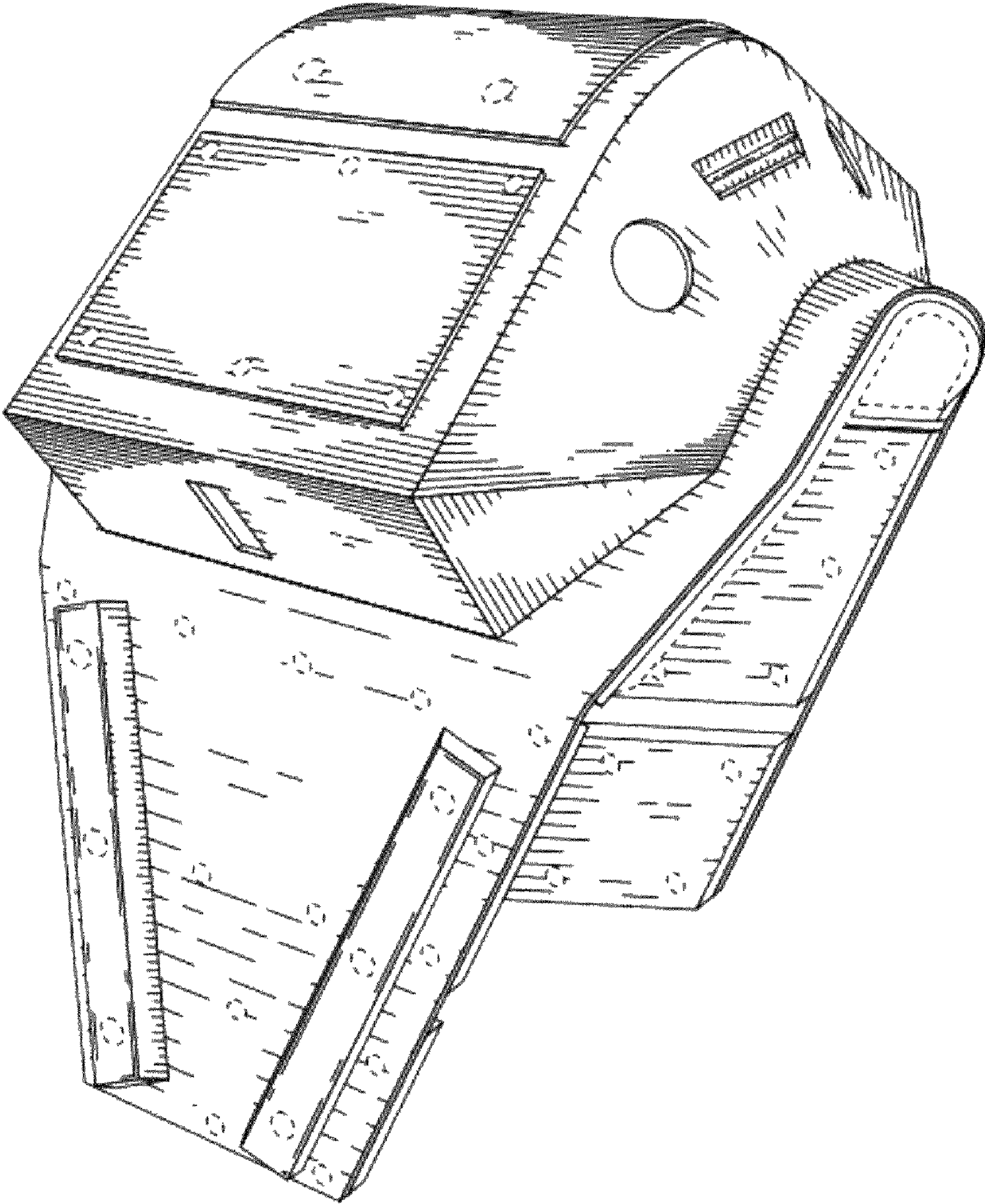
# US D670,456 S

Page 2

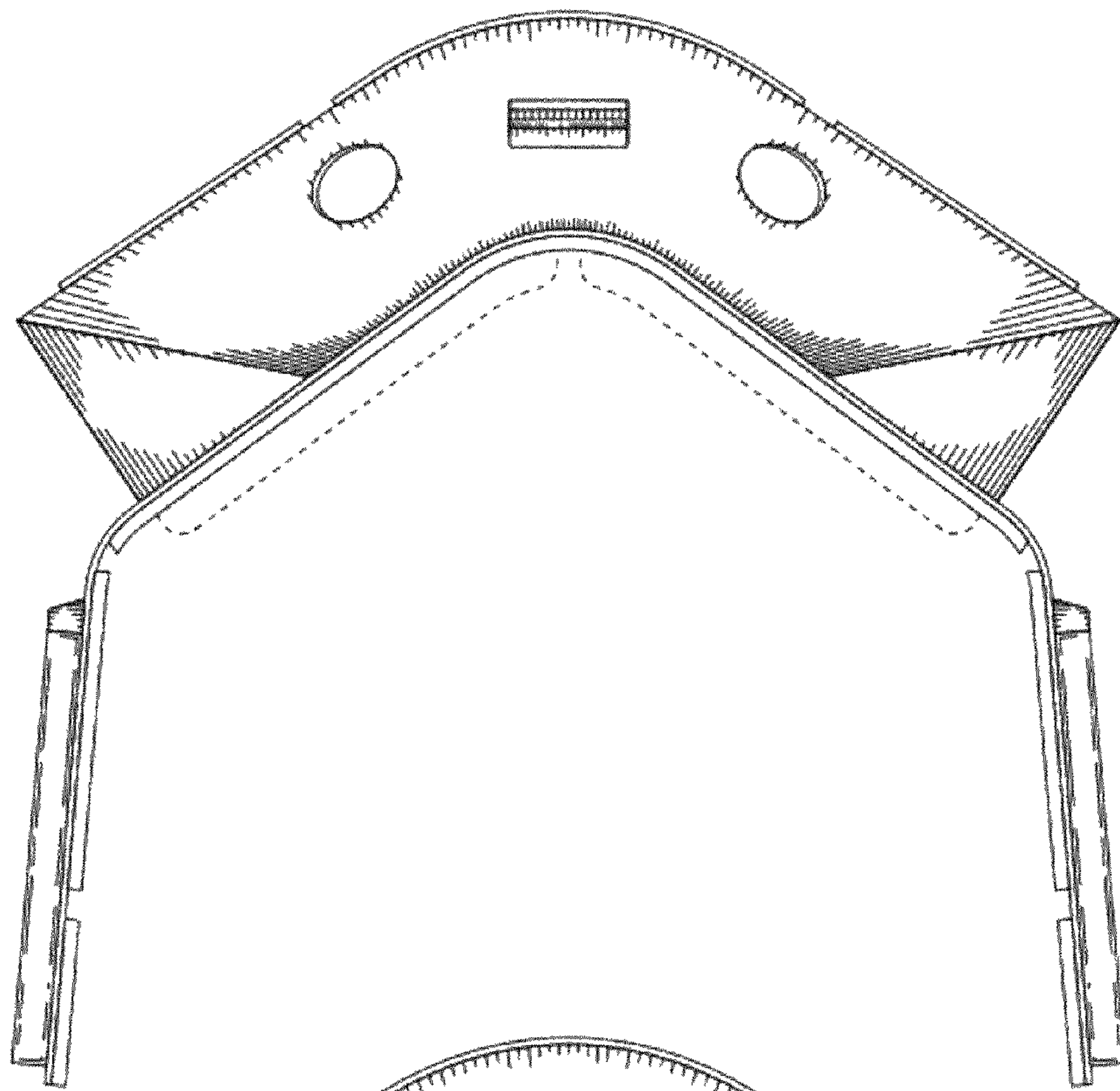
## U.S. PATENT DOCUMENTS

5,644,902	A *	7/1997	Kemp	54/37.1	D482,196	S *	11/2003	Cabrera et al.	D3/228
D383,255	S *	9/1997	Caditz	D30/145	6,869,219	B1 *	3/2005	Sala	383/37
D384,780	S *	10/1997	McLaughlin	D30/152	7,089,720	B2	8/2006	Kurt	
5,887,772	A *	3/1999	Dooley	224/191	7,121,068	B2	10/2006	Van Scoyk	
5,901,532	A *	5/1999	Bopp	54/66	7,281,363	B2 *	10/2007	Woerner	54/37.1
D429,390	S *	8/2000	Grady et al.	D30/152	D611,663	S *	3/2010	Bergschneider et al.	D30/152
D429,391	S *	8/2000	Grady et al.	D30/152	7,721,514	B1	5/2010	Pierce et al.	
D450,449	S *	11/2001	Godshaw et al.	D3/228	D643,162	S *	8/2011	Gardner	D30/199
6,352,053	B1	3/2002	Records et al.		D653,407	S *	1/2012	Coin	D30/136
D457,988	S *	5/2002	Kerrigan	D30/145	2003/0079695	A1 *	5/2003	Kerrigan	119/858
6,390,348	B1 *	5/2002	Godshaw et al.	224/674	2004/0244341	A1	12/2004	Kurt	
6,530,195	B1 *	3/2003	Summerfield	54/37.1	2006/0037562	A1 *	2/2006	Woerner	119/856
6,568,940	B2	5/2003	Mack		2007/0107672	A1 *	5/2007	Von Czenkow	119/859
D480,843	S *	10/2003	Sullivan	D30/152	2010/0083911	A1	4/2010	Gardner	
6,634,160	B1	10/2003	Brauckmann-Towns		2011/0061349	A1	3/2011	Lloyd	
6,637,367	B1 *	10/2003	Dost et al.	119/28.5					

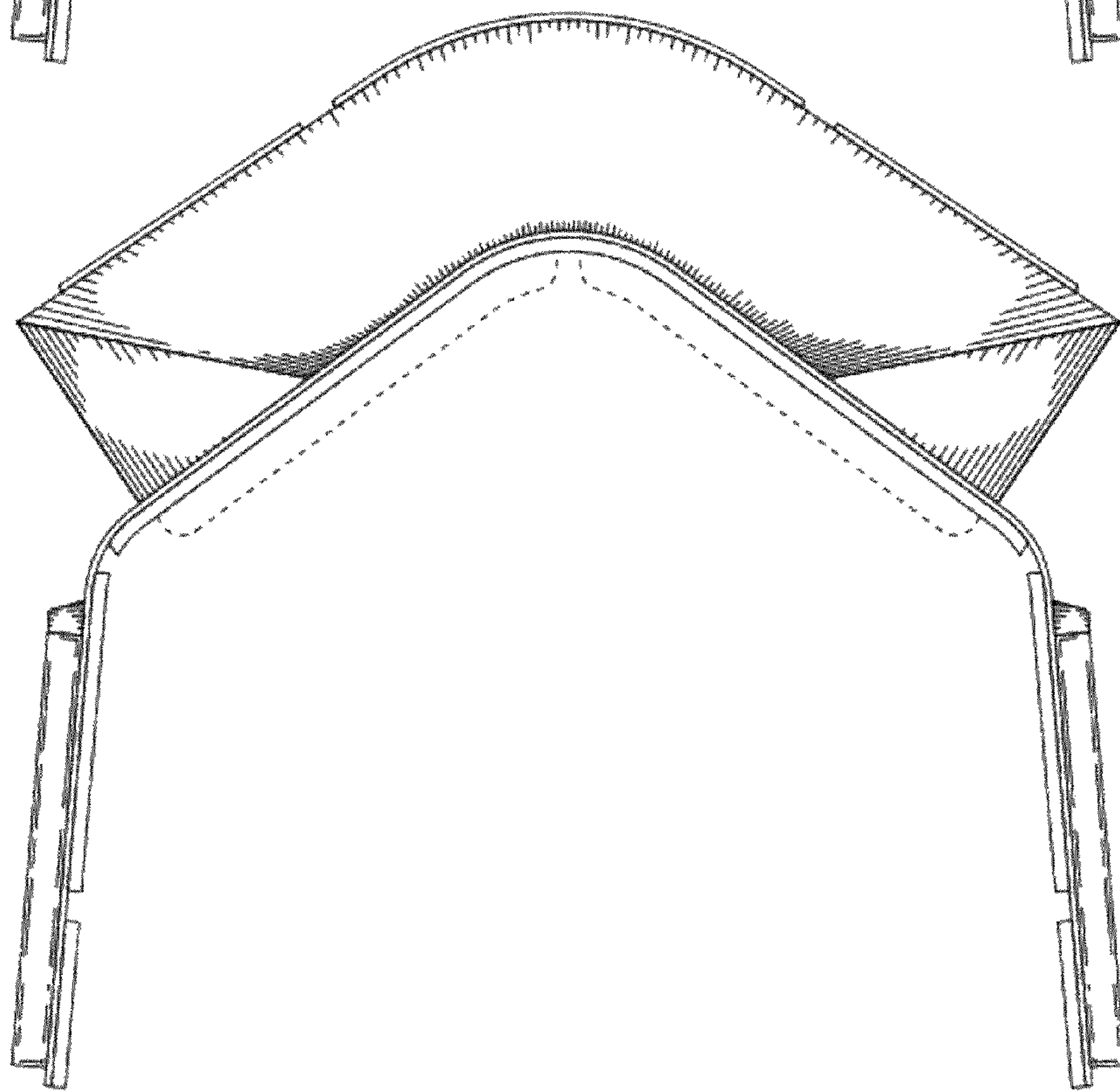
\* cited by examiner



**FIG. 1**



**FIG. 2**



**FIG. 3**

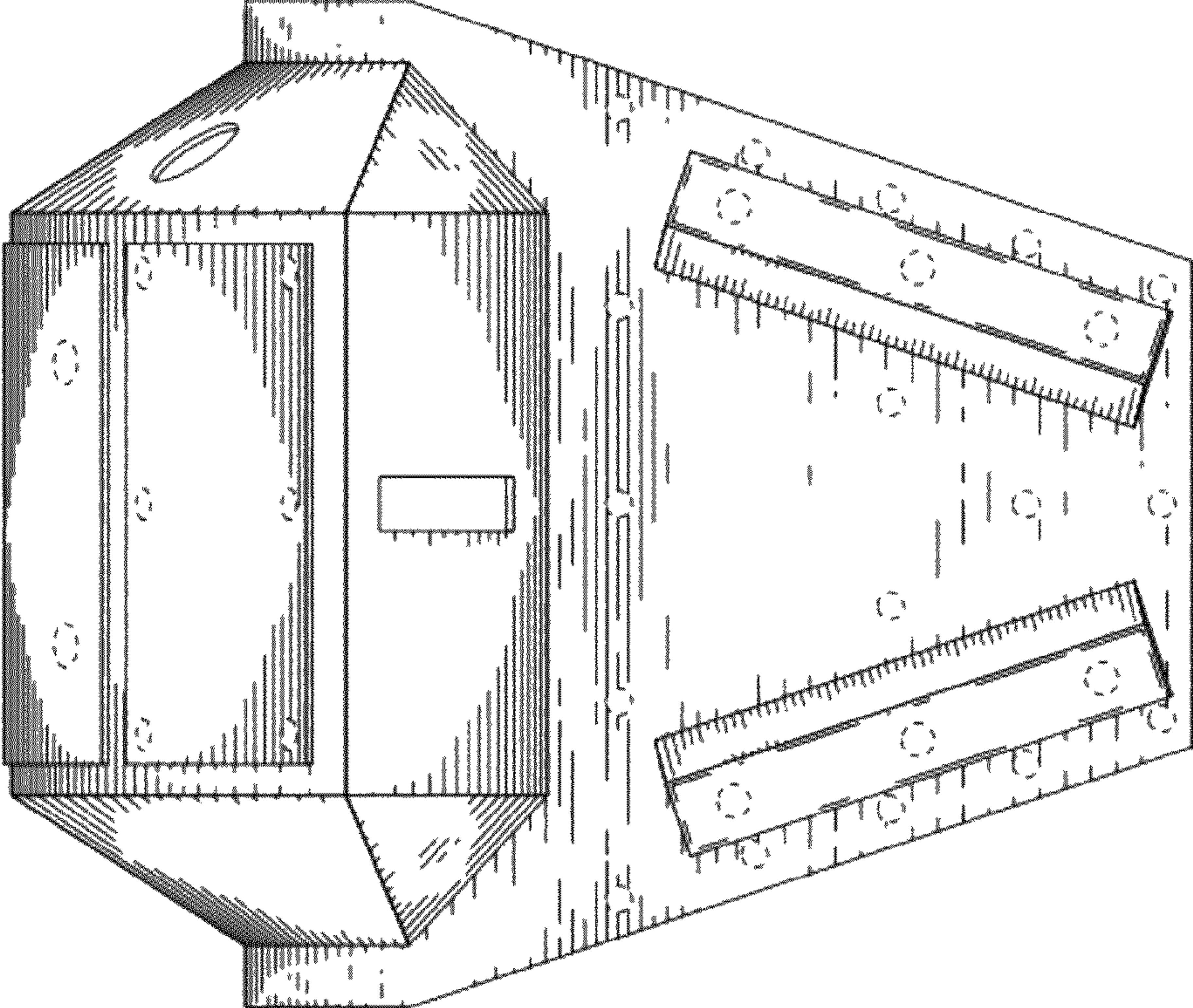


FIG. 5

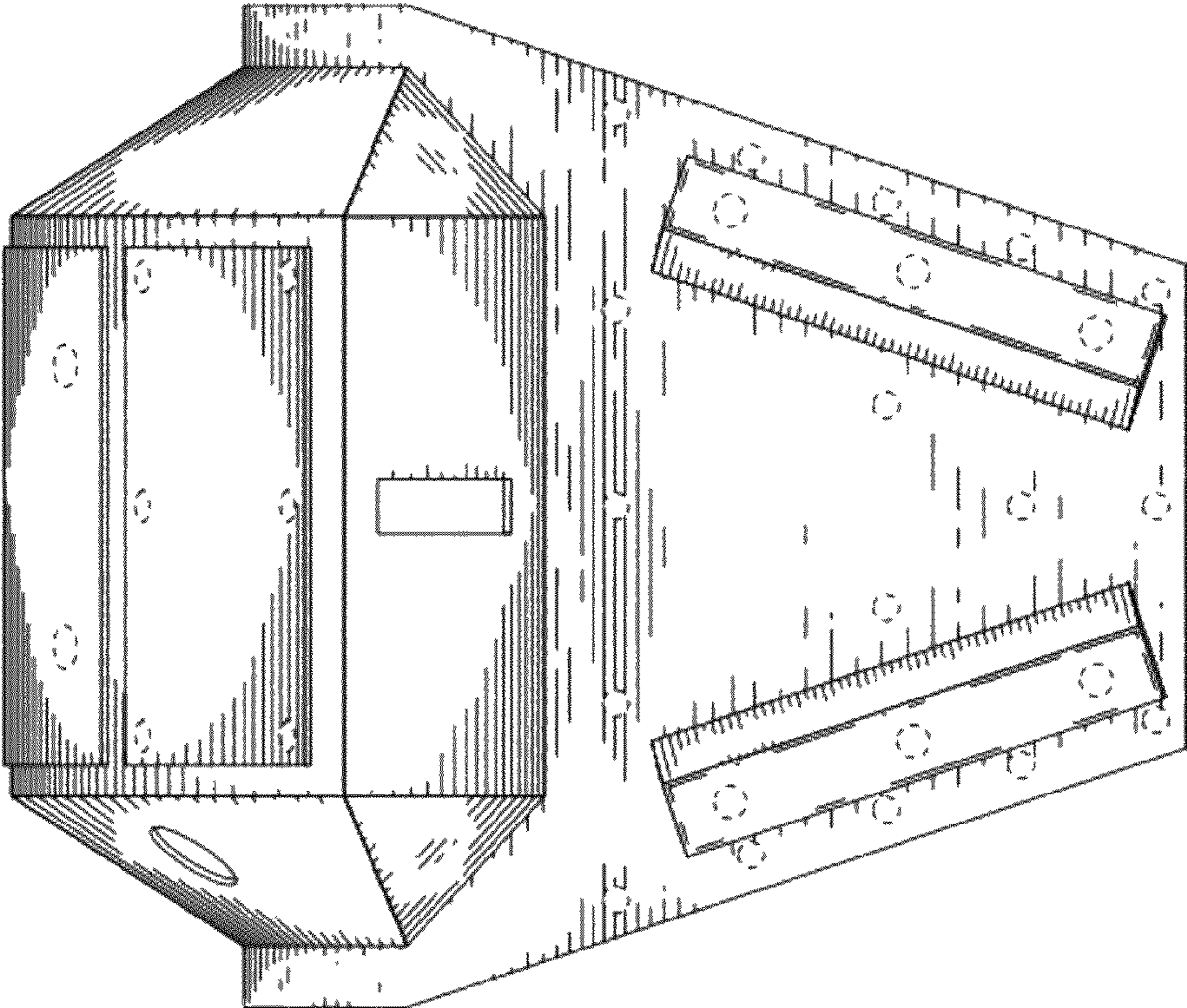


FIG. 4

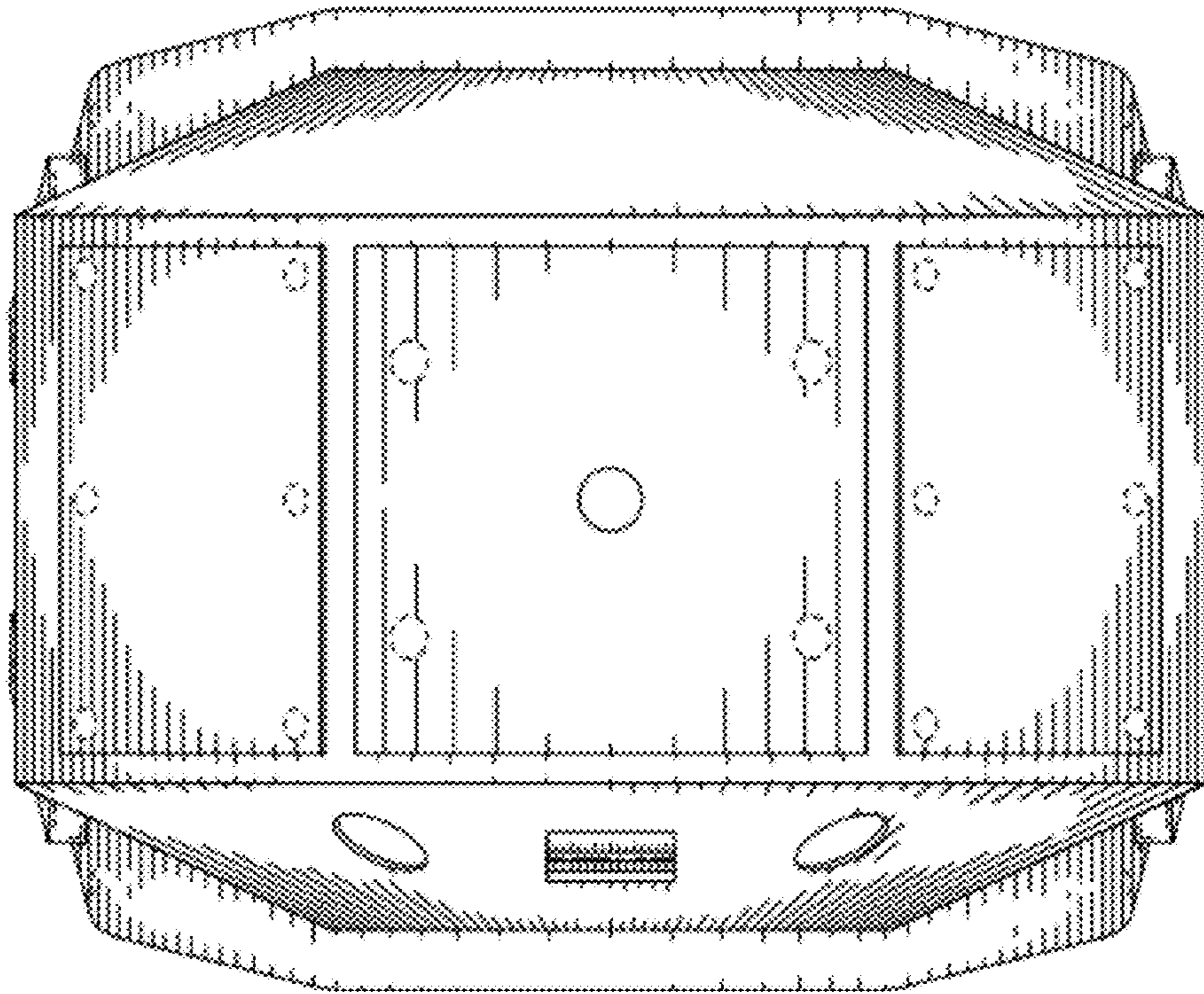


FIG. 6

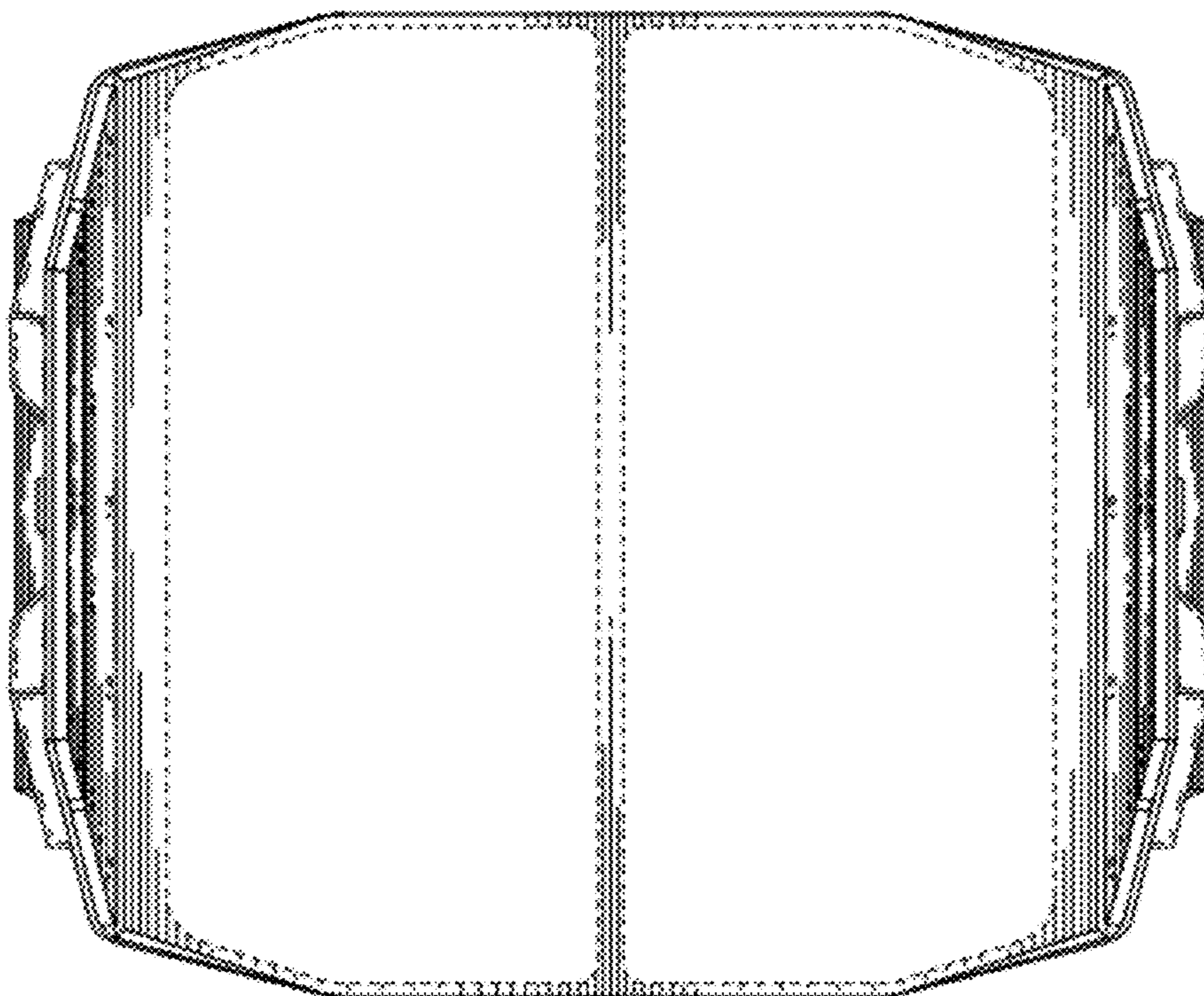
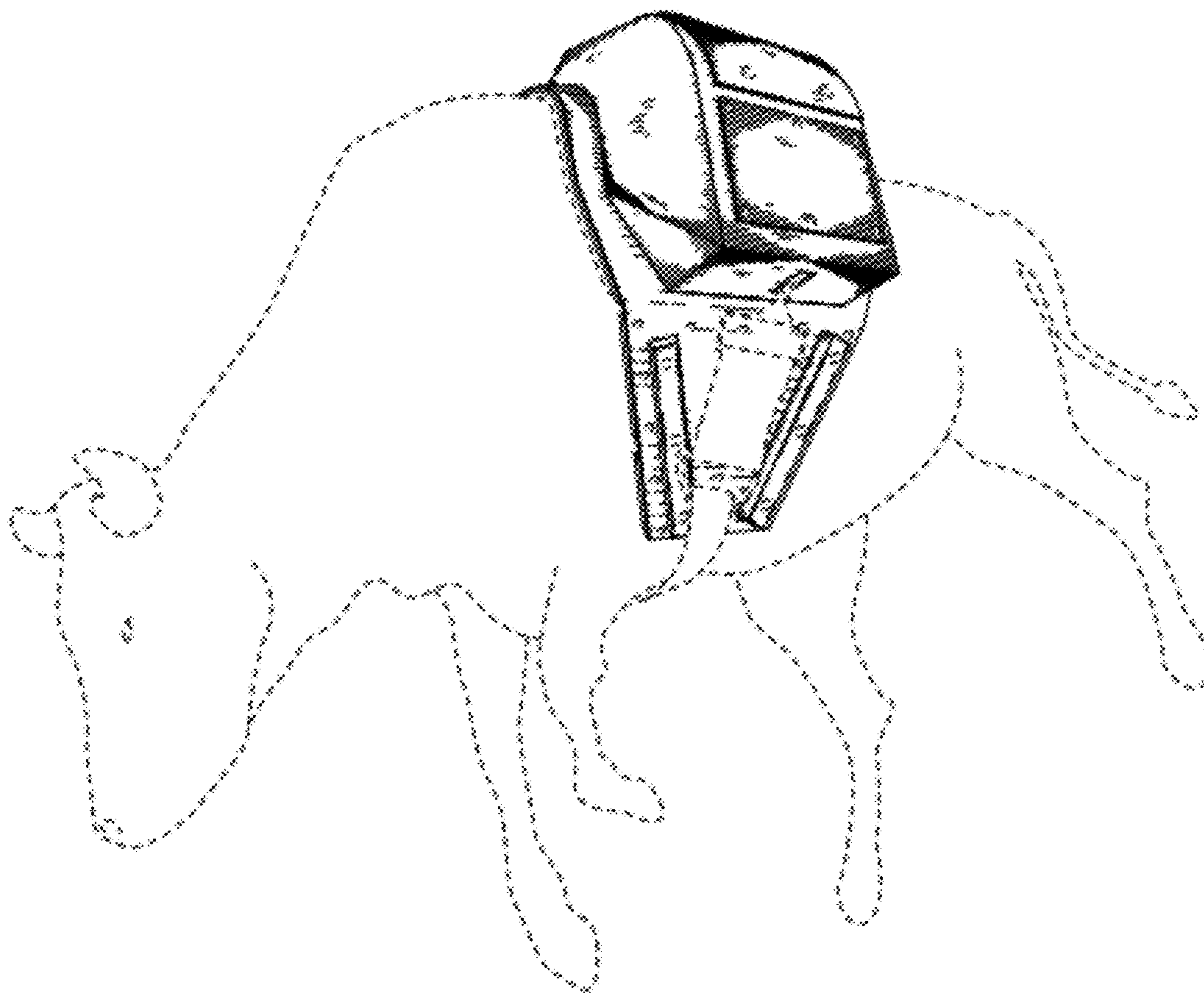


FIG. 7



**FIG. 8**