



US00D670454S

(12) **United States Design Patent**
Sherk, Jr. et al.

(10) **Patent No.:** **US D670,454 S**

(45) **Date of Patent:** **** *Nov. 6, 2012**

(54) **DESHEDDING TOOL**

(75) Inventors: **William M. Sherk, Jr.**, Dayton, OH
(US); **Blaine R. Bruner**, Kettering, OH
(US)

(73) Assignee: **MiracleCorp Products**, Dayton, OH
(US)

(*) Notice: This patent is subject to a terminal disclaimer.

(**) Term: **14 Years**

(21) Appl. No.: **29/393,482**

(22) Filed: **Jun. 6, 2011**

(51) **LOC (9) Cl.** **30-99**

(52) **U.S. Cl.** **D30/158; D30/159; D32/32**

(58) **Field of Classification Search** D30/158,
D30/159, 199; 15/104.002, 230.11, 104.94,
15/104.8, 23, 231, 169, 184, 114, DIG. 14,
15/186-188; 132/119-119.1, 212; 206/15.2-15.3,
206/361, 362.3, 470; 242/571.4; D28/25,
D28/23, 30, 59, 21; D4/117, 116, 121-123,
D4/102, 199, 137, 131

See application file for complete search history.

(56) **References Cited**

U.S. PATENT DOCUMENTS

1,808,178	A *	6/1931	Santini	15/399
2,279,708	A *	4/1942	Jakob et al.	132/112
2,780,829	A *	2/1957	Cohen	15/365
2,910,717	A *	11/1959	Raymond	15/246.2
3,421,171	A *	1/1969	Tsuruzawa	15/172
3,574,885	A *	4/1971	Jones	15/393
D222,792	S *	12/1971	Krusche et al.	D4/137
3,626,546	A *	12/1971	Dove	15/402
3,668,736	A *	6/1972	Loscalzo	15/402
D226,462	S *	3/1973	Gibbs	D4/114
3,835,869	A *	9/1974	Newman et al.	132/271

D264,139	S *	4/1982	Pearman, Jr.	D32/33
4,630,329	A *	12/1986	Shores	15/368
D293,629	S *	1/1988	Jordan	D4/115
D296,372	S *	6/1988	Toney et al.	D32/32
4,779,572	A *	10/1988	Freulon	119/604
4,799,460	A *	1/1989	Kuhl	15/344
D304,883	S *	12/1989	Fan	D4/137
D306,788	S *	3/1990	McAllister et al.	D32/32
D307,067	S *	4/1990	Kuhl et al.	D30/158
D315,251	S *	3/1991	Clivio	D4/115
D317,083	S *	5/1991	Chou	D4/115
D347,504	S *	5/1994	Furcron et al.	D32/33
5,421,765	A *	6/1995	Lehmann et al.	446/296
D368,342	S *	3/1996	Founds	D32/18
D369,026	S *	4/1996	Furbert et al.	D4/115
5,502,873	A *	4/1996	Hogan	15/393
D375,588	S *	11/1996	Bzoch	D30/158
D389,618	S *	1/1998	Rosen	D32/33
5,768,747	A *	6/1998	Smith	15/402

(Continued)

Primary Examiner — Susan Moon Lee

(74) Attorney, Agent, or Firm — Walters & Wasylyna, LLC

(57) **CLAIM**

The ornamental design for a deshedding tool, as shown and described.

DESCRIPTION

FIG. 1 is an isometric view of a deshedding tool in accordance with the present design;

FIG. 2 is a top plan view of the deshedding tool of FIG. 1;

FIG. 3 is a bottom plan view of the deshedding tool of FIG. 2;

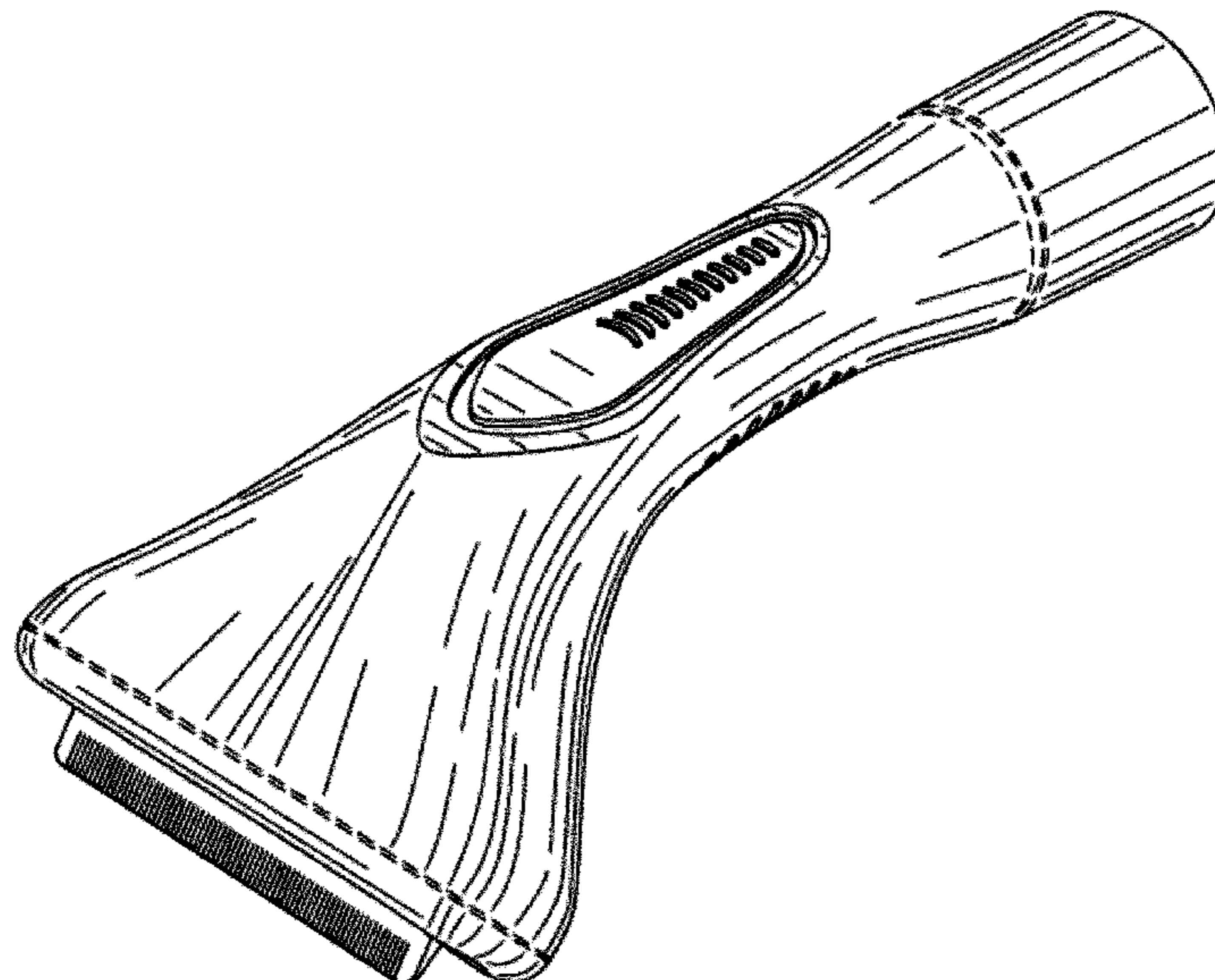
FIG. 4 is a side elevational view of the deshedding tool of FIG. 3;

FIG. 5 is a front elevational view of the deshedding tool of FIG. 4; and,

FIG. 6 is a rear elevational view of the deshedding tool of FIG. 5.

The broken lines shown in the drawings are for illustrative purposes only and form no part of the claimed design.

1 Claim, 3 Drawing Sheets



US D670,454 S

Page 2

U.S. PATENT DOCUMENTS

5,768,748	A *	6/1998	Silvera et al.	15/402	D590,157	S *	4/2009	Martin	D4/136
5,924,202	A *	7/1999	Romani	30/133	D595,964	S *	7/2009	Choi	D4/114
D417,551	S *	12/1999	Pinchuk	D4/136	D596,362	S *	7/2009	Crevling et al.	D32/33
6,022,163	A *	2/2000	Asfur	401/175	D601,806	S *	10/2009	Choi	D4/114
6,055,938	A *	5/2000	Klein	119/627	D601,807	S *	10/2009	Choi	D4/114
D444,925	S *	7/2001	Monette	D30/158	7,650,858	B2 *	1/2010	Porter et al.	119/631
D453,420	S *	2/2002	Offer et al.	D4/132	D610,755	S *	2/2010	Lin	D30/159
D453,599	S *	2/2002	Backman et al.	D32/49	D613,912	S *	4/2010	Benacquisto	D30/158
6,367,421	B1 *	4/2002	Deacon	119/603	7,717,067	B2 *	5/2010	Porter et al.	119/601
D460,272	S *	7/2002	Fong	D4/138	D621,110	S *	8/2010	Eden et al.	D32/32
6,453,848	B1 *	9/2002	Hachey	119/602	D621,112	S *	8/2010	Benacquisto	D32/33
D465,309	S *	11/2002	Foersterling	D32/35	D621,567	S *	8/2010	Crawley	D32/33
D473,987	S *	4/2003	Foersterling	D32/35	D626,295	S *	10/2010	Porter	D30/159
D476,160	S *	6/2003	Choi	D4/121	D626,296	S *	10/2010	Porter	D30/159
6,668,758	B1 *	12/2003	Davis, Jr.	119/608	D626,297	S *	10/2010	Porter	D30/159
D504,234	S *	4/2005	Kuo et al.	D4/133	2002/0040686	A1 *	4/2002	Willinger et al.	119/633
D506,585	S *	6/2005	Muller et al.	D32/32	2002/0096125	A1 *	7/2002	Fong	119/664
6,955,137	B2 *	10/2005	Dunn et al.	119/625	2002/0166512	A1 *	11/2002	Corbett	119/611
6,986,217	B2 *	1/2006	Leung et al.	38/77.83	2004/0105715	A1 *	6/2004	Spelman et al.	401/6
D515,819	S *	2/2006	Gaiti	D4/115	2006/0037556	A1 *	2/2006	Porter et al.	119/627
D525,744	S *	7/2006	Dibnah et al.	D28/44	2007/0084416	A1 *	4/2007	Liao	119/625
7,100,537	B1 *	9/2006	Suen et al.	119/612	2007/0113795	A1 *	5/2007	Hajjar	119/608
7,155,117	B2 *	12/2006	Leung et al.	392/404	2008/0066690	A1 *	3/2008	Rosen	119/612
7,159,274	B2 *	1/2007	Freidell	15/339	2008/0078333	A1 *	4/2008	Wang	119/611
D538,047	S *	3/2007	Draughn	D4/138	2008/0190376	A1 *	8/2008	Matsumoto	119/614
D538,986	S *	3/2007	Ingram	D32/32	2008/0190376	A1 *	8/2008	Matsumoto	119/614
D540,498	S *	4/2007	Tobias	D32/17	2009/0126648	A1 *	5/2009	Porter et al.	119/601
D547,068	S *	7/2007	Major	D4/136	2009/0126649	A1 *	5/2009	Porter et al.	119/601
D565,258	S *	3/2008	Porter et al.	D30/158	2009/0293225	A1 *	12/2009	Freidell	15/402
D590,111	S *	4/2009	Wiljanen et al.	D32/32	2010/0162965	A1 *	7/2010	Porter et al.	119/601
					2011/0259281	A1 *	10/2011	Mak	119/631

* cited by examiner

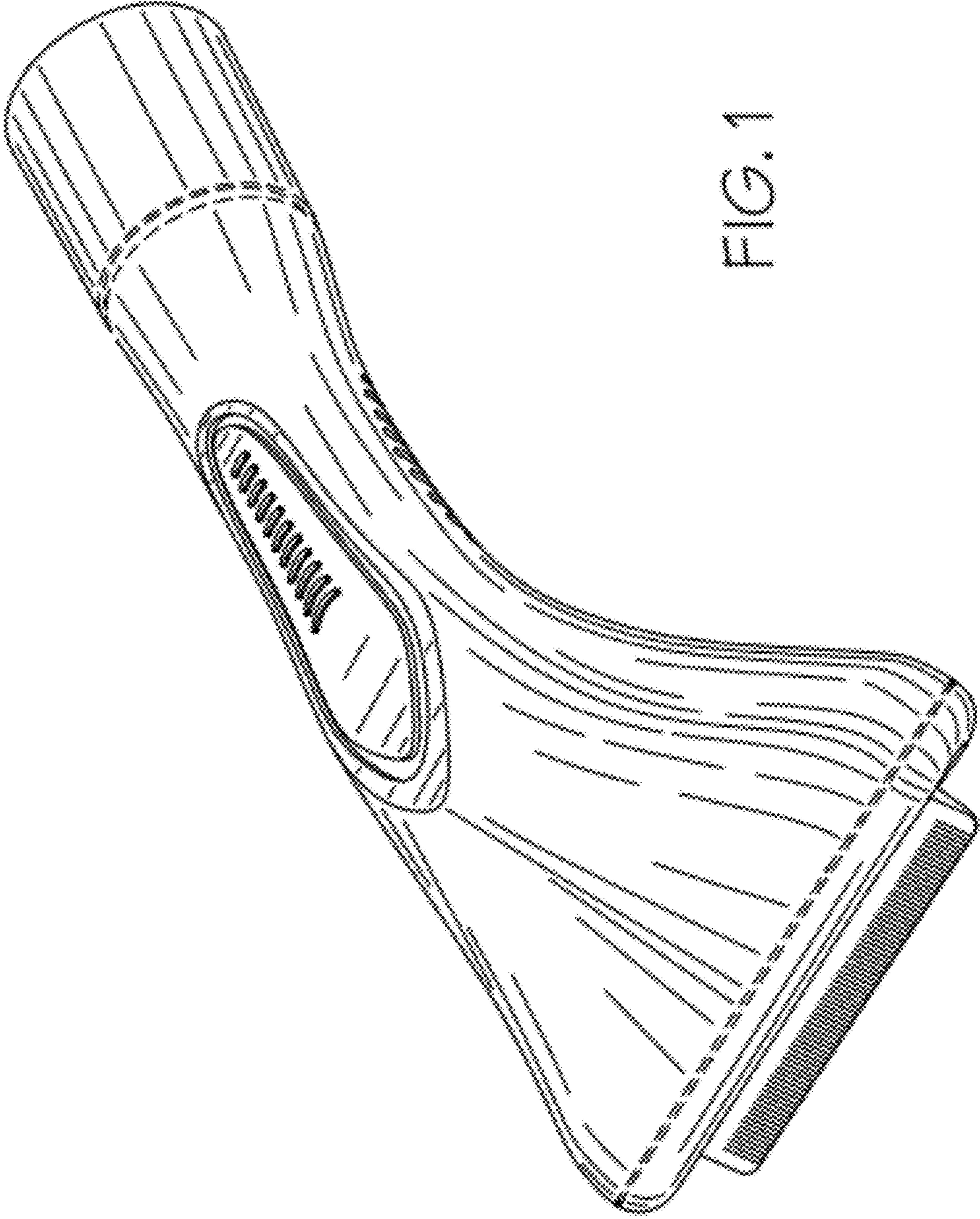


FIG. 1

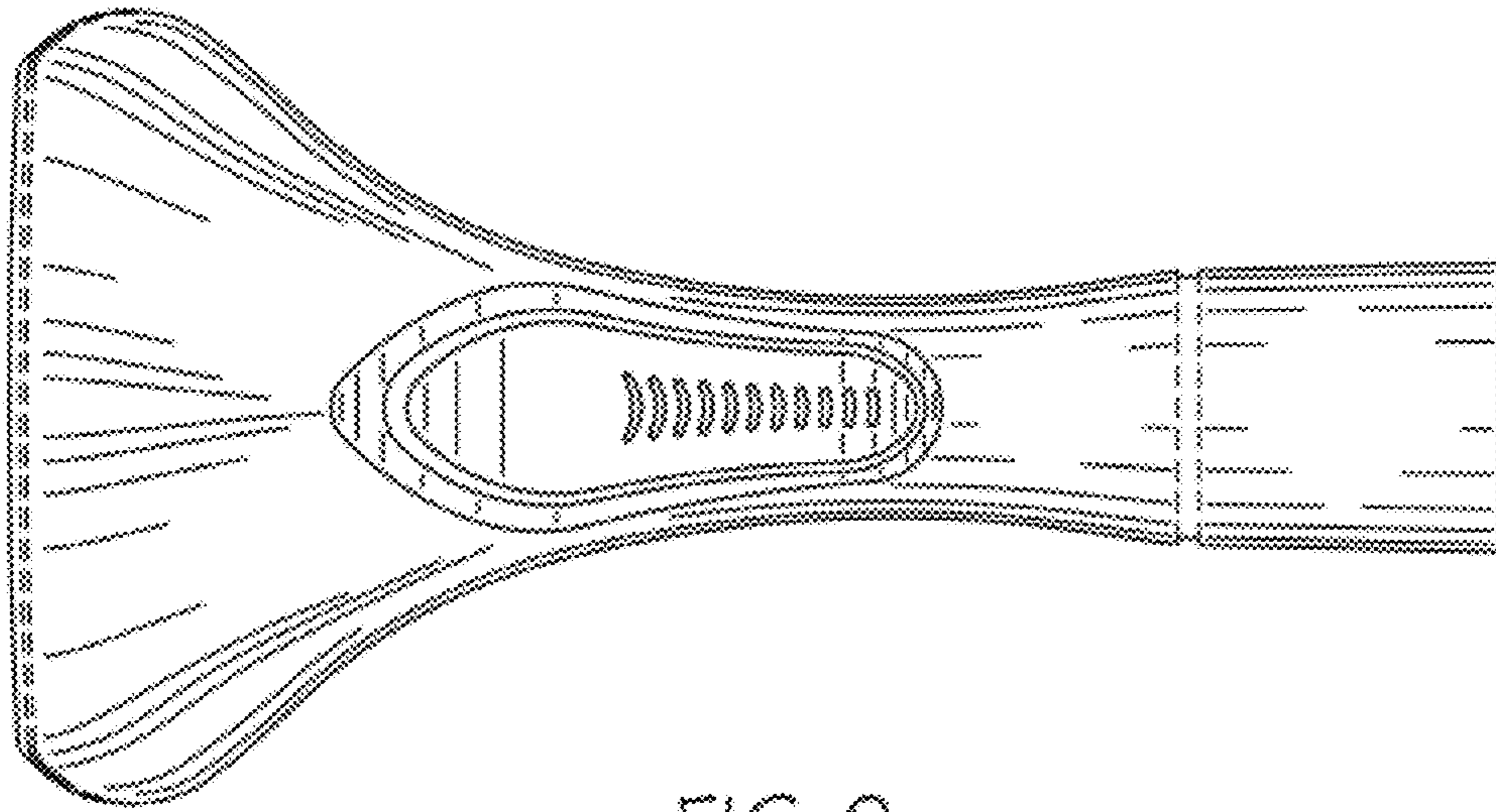


FIG. 2

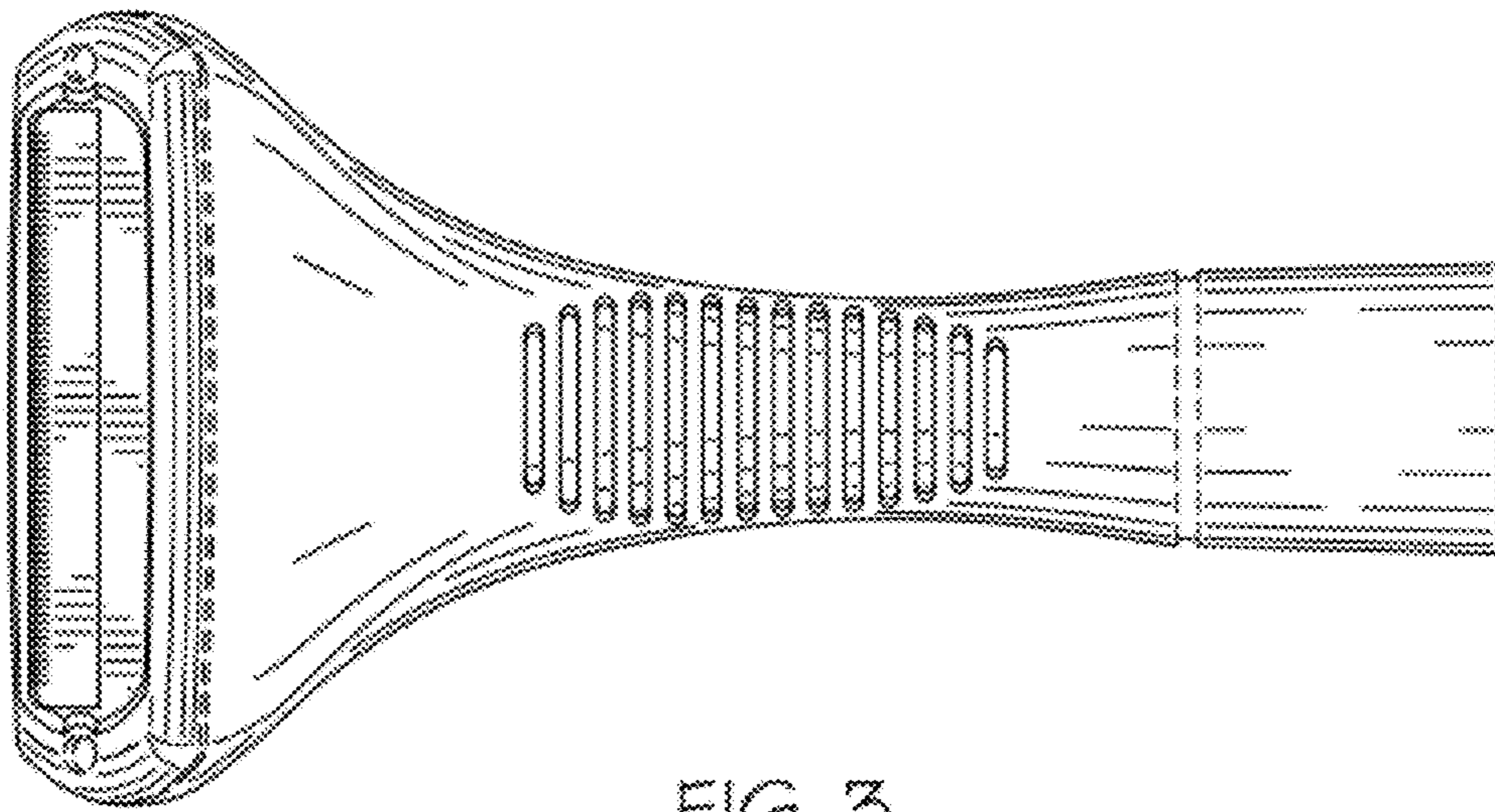


FIG. 3

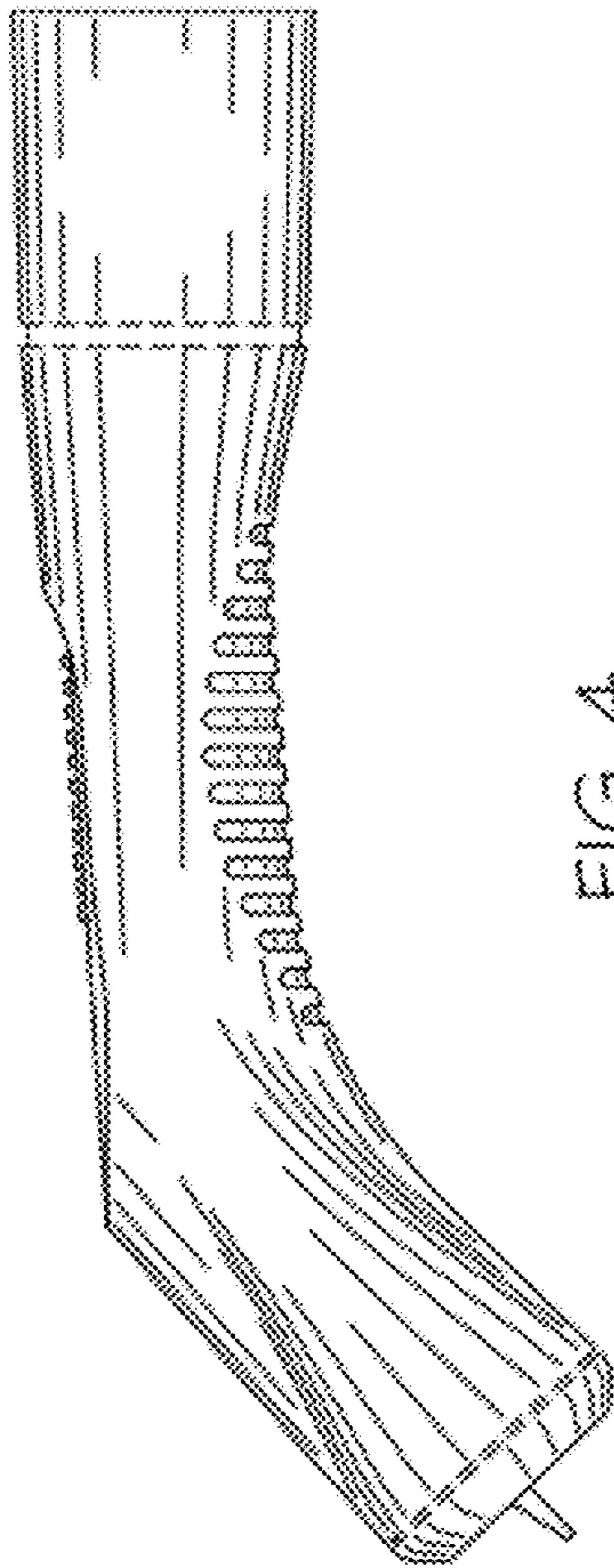


FIG. 4

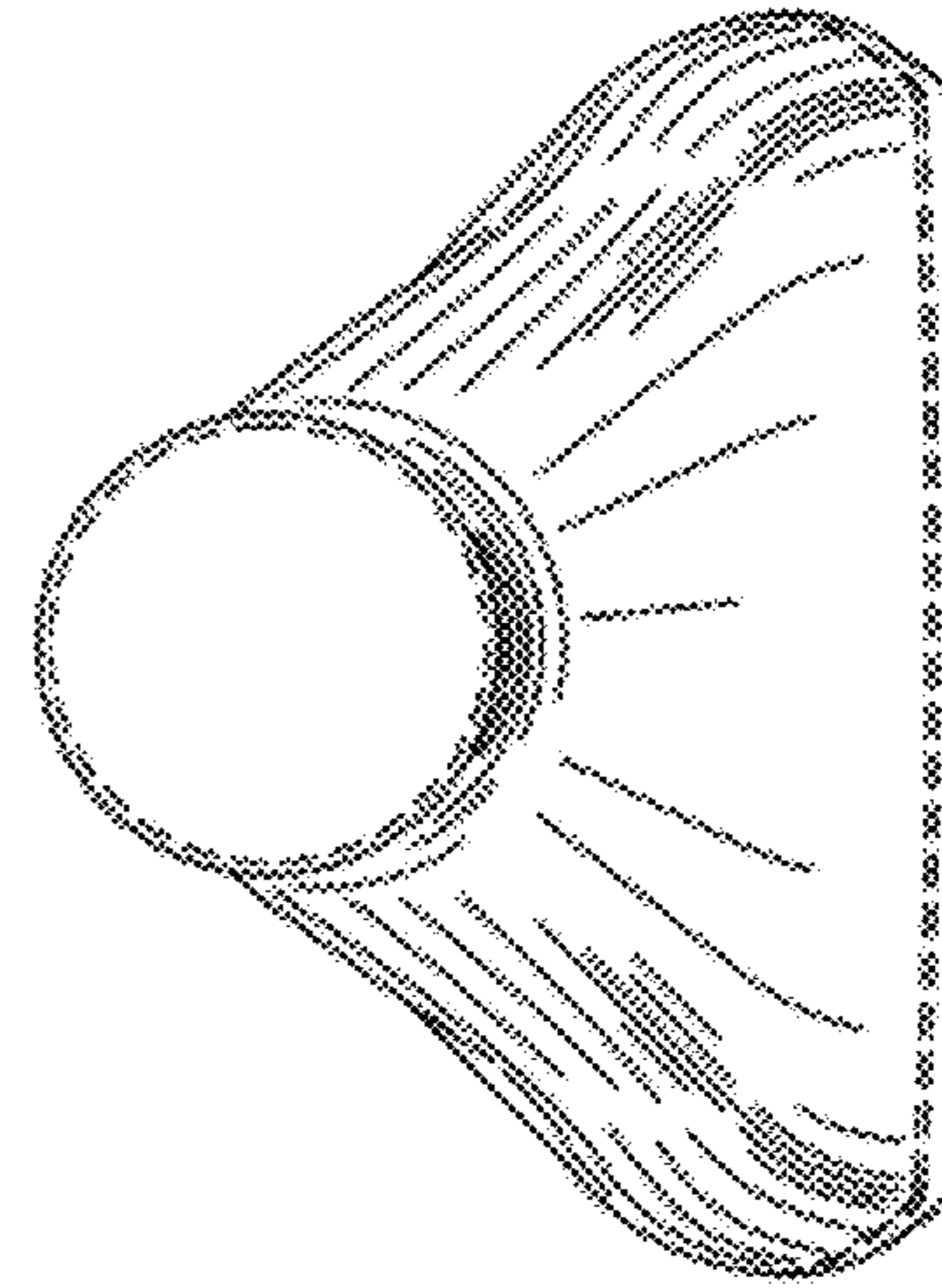


FIG. 6

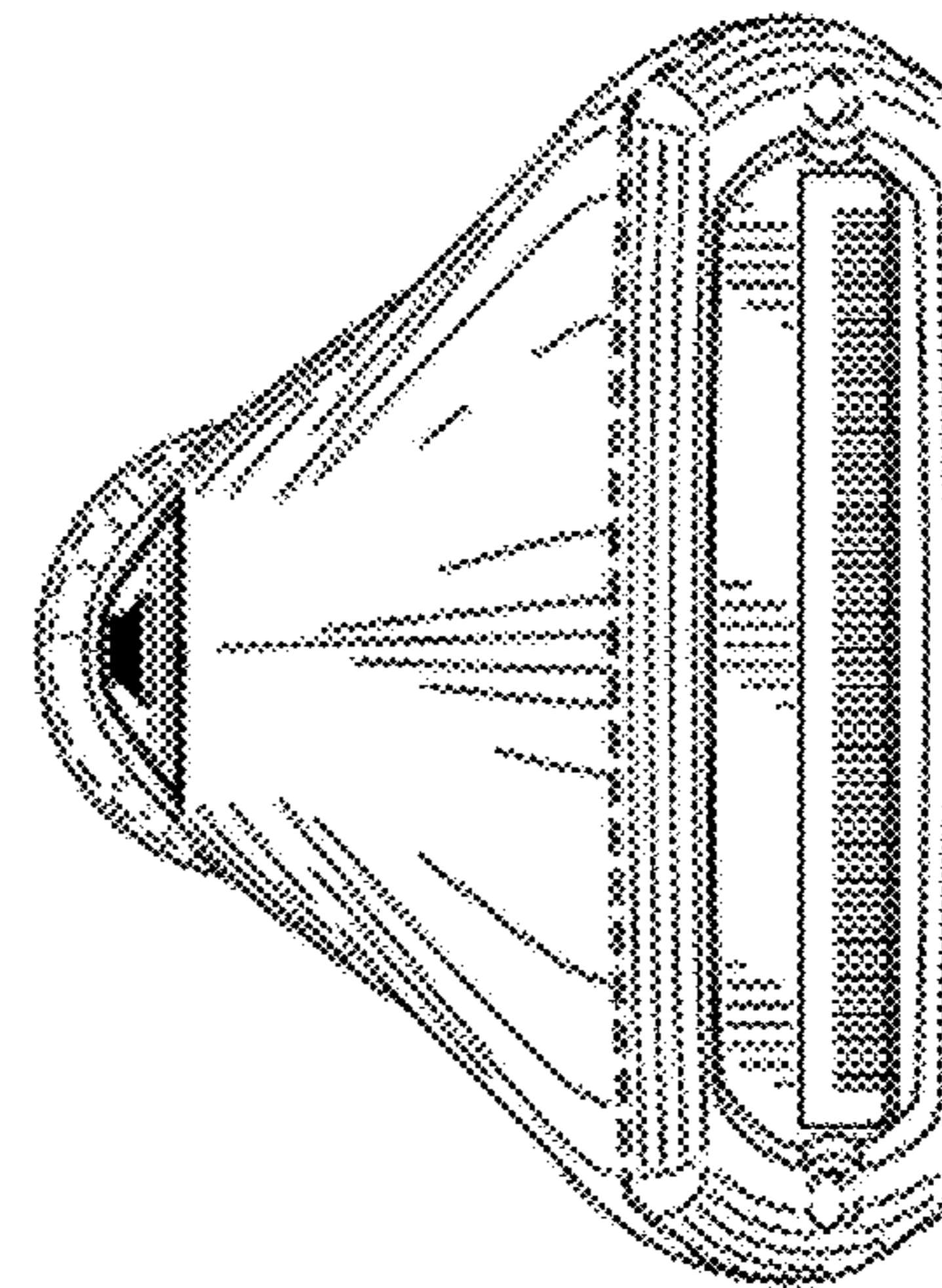


FIG. 5