



US00D670453S

(12) **United States Design Patent**
Knutson et al.

(10) **Patent No.:** **US D670,453 S**

(45) **Date of Patent:** **** Nov. 6, 2012**

(54) **DOG BOOT**

(75) Inventors: **Don Knutson**, Wayzata, MN (US);
Mark Anderson, Spring Valley, WI (US)

(73) Assignee: **Mark L. Anderson**, Spring Valley, WI (US)

(**) Term: **14 Years**

(21) Appl. No.: **29/397,972**

(22) Filed: **Jul. 25, 2011**

(51) **LOC (9) Cl.** **30-01**

(52) **U.S. Cl.** **D30/146**

(58) **Field of Classification Search** D30/146,
D30/145; 36/83, 88, 89, 104, 110, 111, 114,
36/115, 117.1-117.5, 7.1 R, 50.1, 50.5, 140;
54/82; D24/192; D2/901, 909-911, 947,
D2/951, 953, 960, 970, 920; 602/23, 27-29,
602/65, 66; 168/1-3, 18

See application file for complete search history.

(56) **References Cited**

U.S. PATENT DOCUMENTS

| | | | | |
|----------------|--------|------------|-------|---------|
| D267,750 S * | 1/1983 | Norstrom | | D30/146 |
| D379,251 S * | 5/1997 | Mezey | | D30/146 |
| 6,526,920 B1 * | 3/2003 | Griffin | | 119/850 |
| D514,262 S * | 1/2006 | Sabeh-Azar | | D30/146 |

| | | | | |
|----------------|--------|----------------------------|-------|---------|
| D529,238 S * | 9/2006 | Yun et al. | | D30/146 |
| D542,482 S * | 5/2007 | Krottinger | | D30/146 |
| D542,483 S * | 5/2007 | Maloney et al. | | D30/146 |
| 8,109,241 B2 * | 2/2012 | Wrenwood Maloney et al. | | 119/850 |

* cited by examiner

Primary Examiner — Susan M Lee

Assistant Examiner — Linda G. Brooks

(74) *Attorney, Agent, or Firm* — Skinner and Associates

(57) **CLAIM**

The ornamental design for a dog boot, as shown and described.

DESCRIPTION

FIG. 1 is a perspective view of a dog boot showing the design.

FIG. 2 is a side view thereof.

FIG. 3 is an opposite side view thereof, which is a mirror image of the the side view of FIG. 2.

FIG. 4 is a front view thereof.

FIG. 5 is a back view thereof.

FIG. 6 is a top view thereof; and,

FIG. 7 is a bottom view thereof.

The design is for a dog boot which is used to protect feet and pads from glass, nails, barbed wire, needles and other harmful objects.

1 Claim, 5 Drawing Sheets

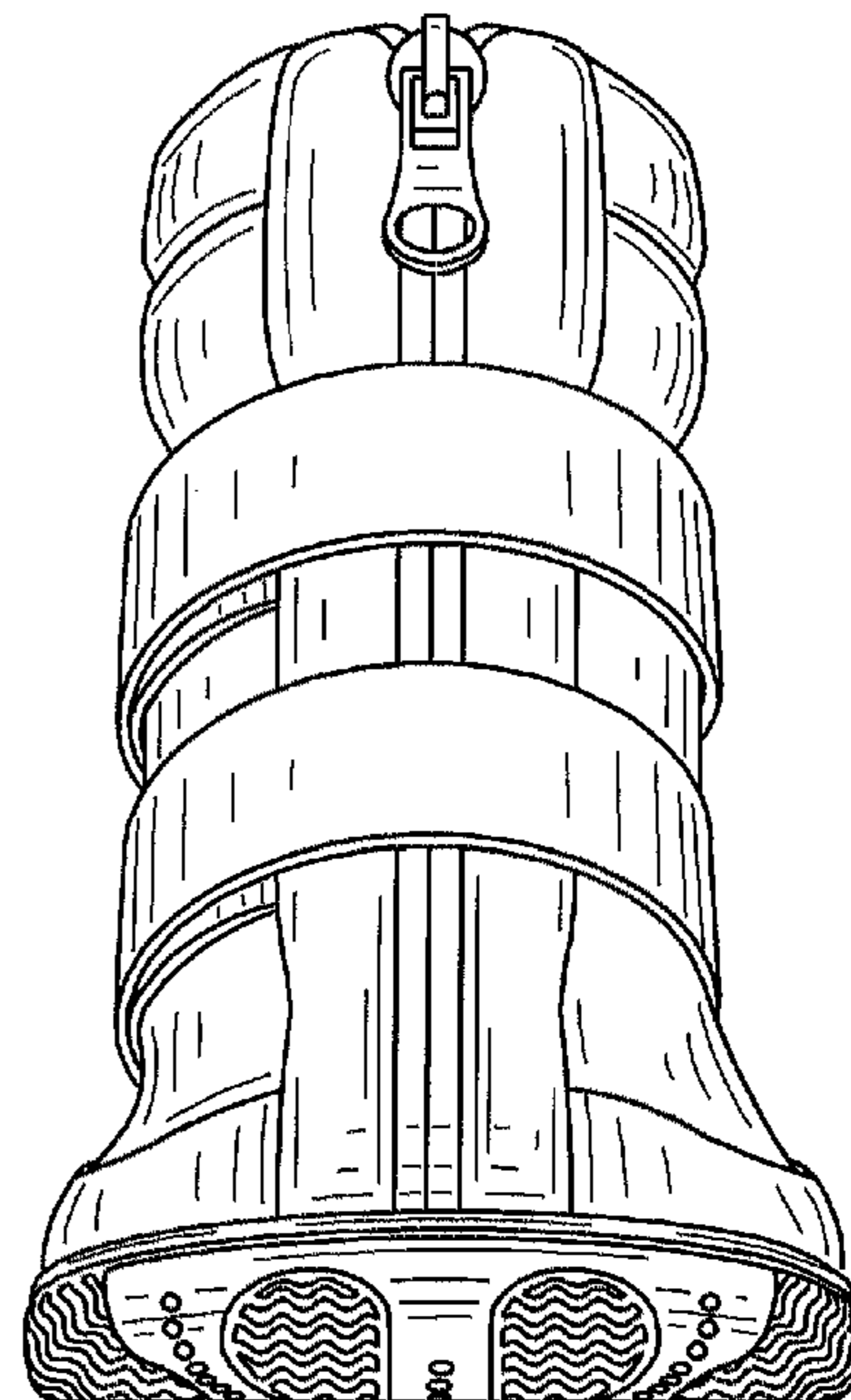
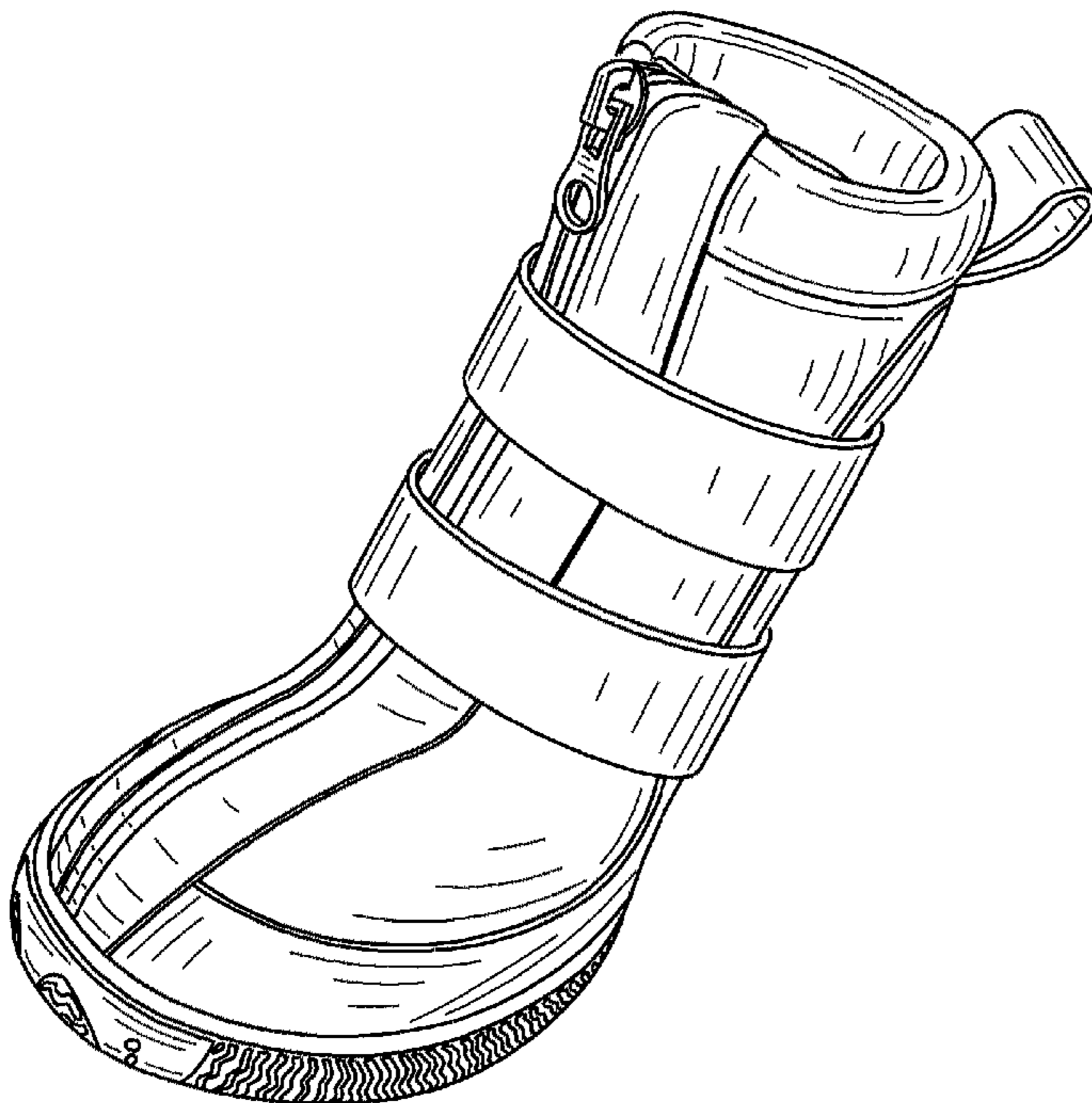




FIG. 1



FIG. 2



FIG. 3

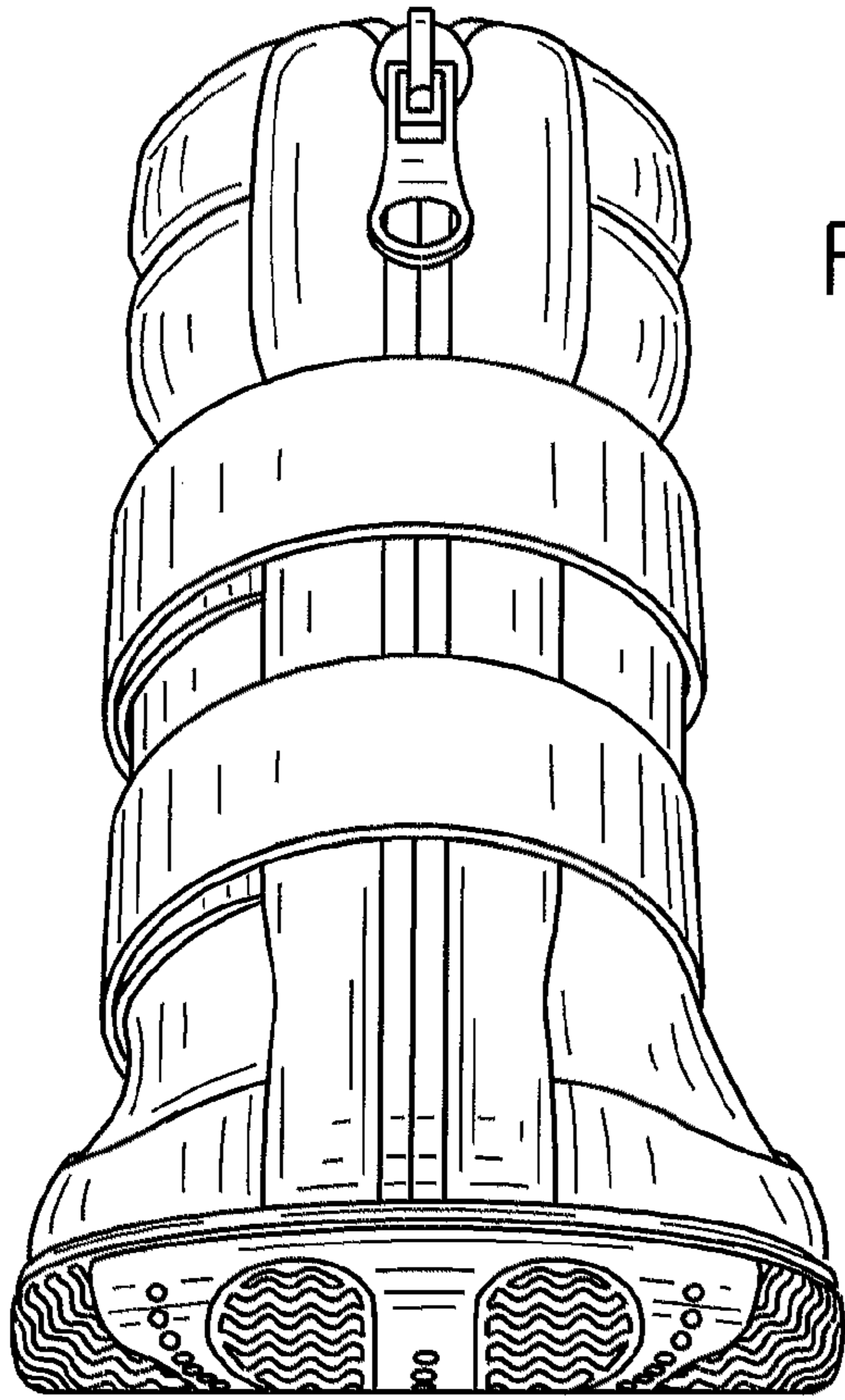


FIG. 4

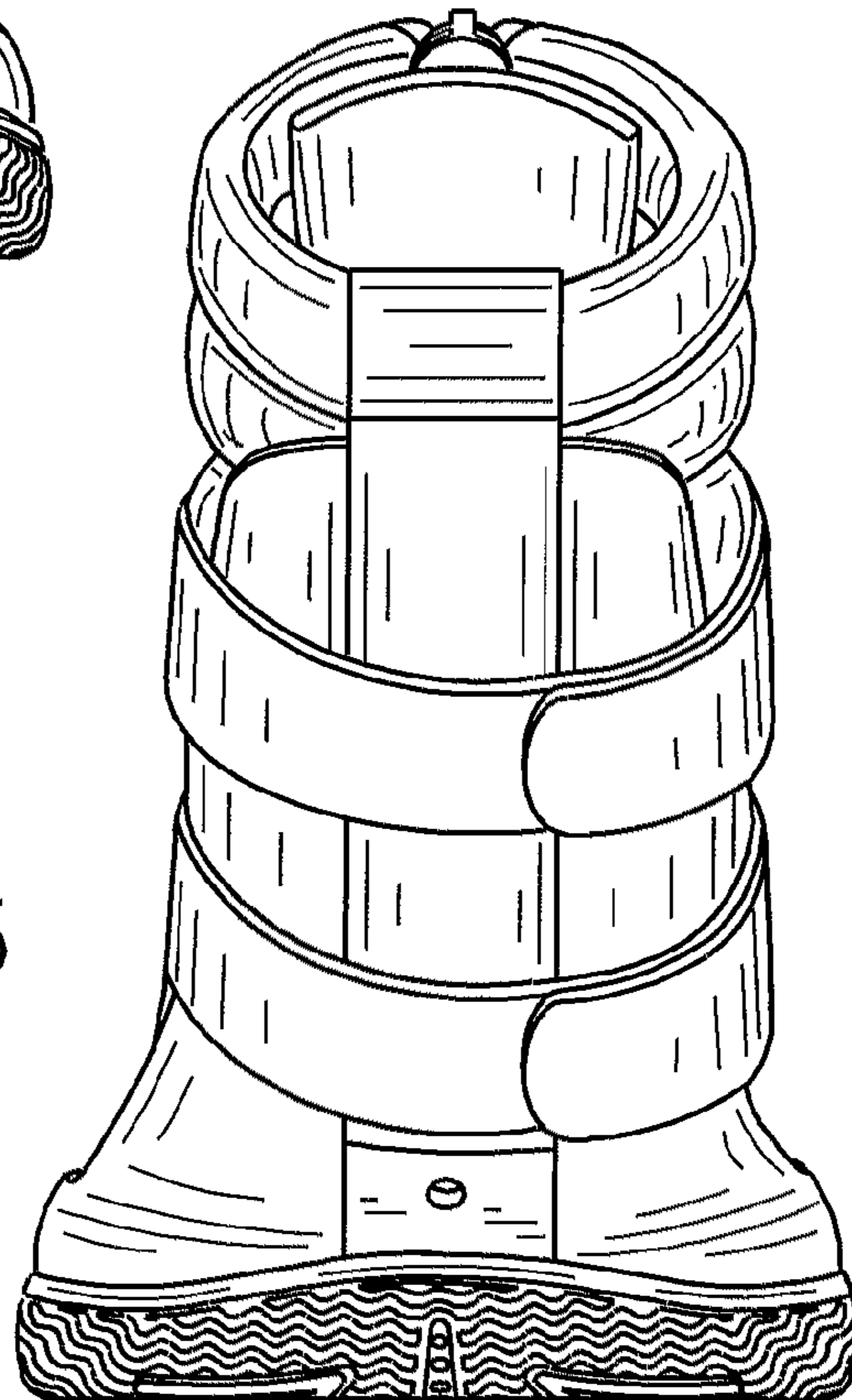


FIG. 5

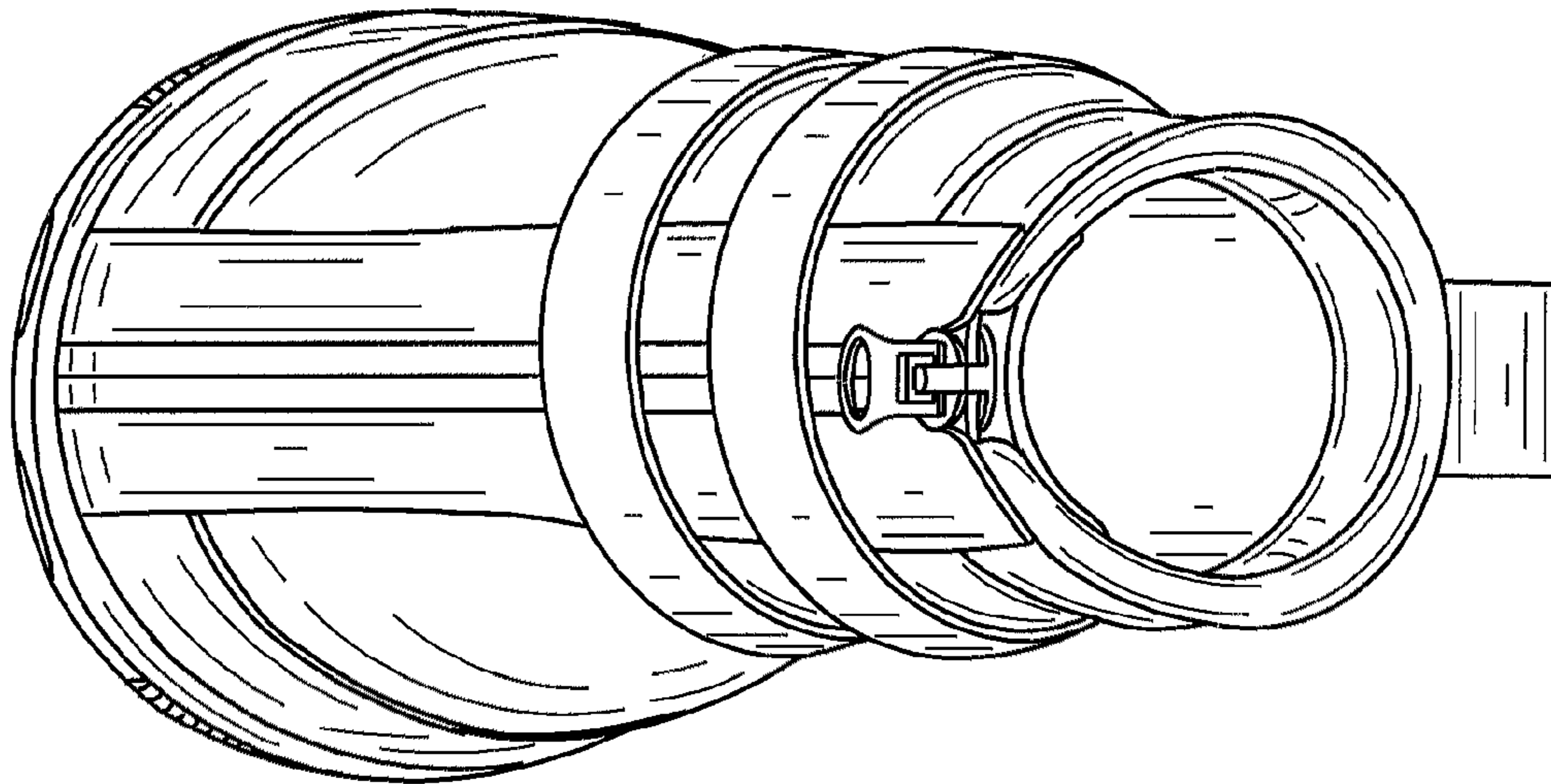


FIG. 6

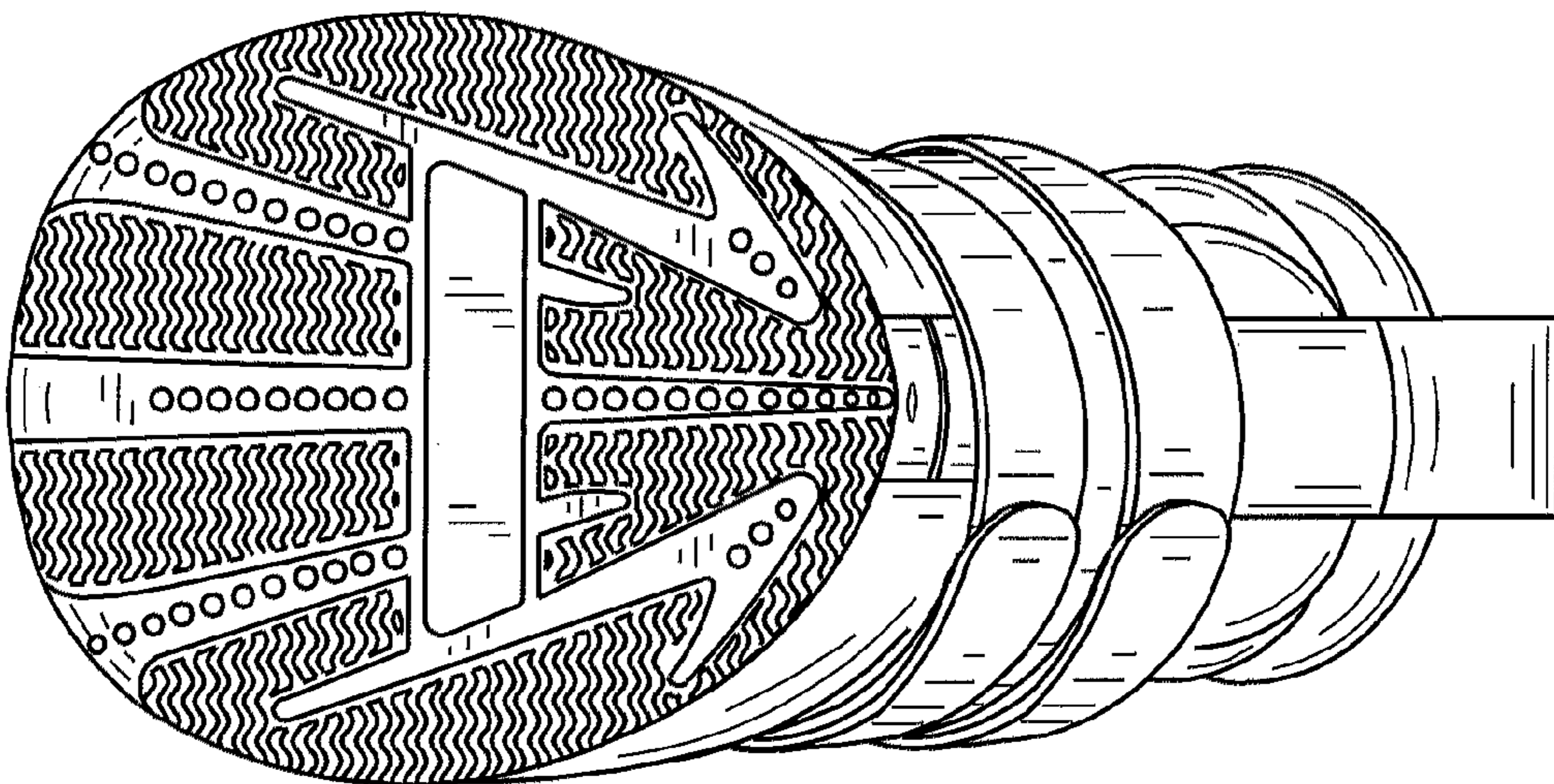


FIG. 7