

US00D670452S

(12) **United States Design Patent**
Caruso

(10) **Patent No.:** **US D670,452 S**

(45) **Date of Patent:** **** Nov. 6, 2012**

(54) **PET FOOD TRAY**

(76) **Inventor:** **Thomas Harry Caruso**, La Quinta, CA
(US)

(**) **Term:** **14 Years**

(21) **Appl. No.:** **29/411,410**

(22) **Filed:** **Jan. 20, 2012**

(51) **LOC (9) Cl.** **30-03**

(52) **U.S. Cl.** **D30/133; D30/130; D30/131**

(58) **Field of Classification Search** D30/133,
D30/121, 128, 130, 132; 119/52.1, 55, 61.5-61.56;
D6/480-485; 248/188; 312/204; 108/153.1-157
See application file for complete search history.

(56) **References Cited**

U.S. PATENT DOCUMENTS

1,383,368	A *	7/1921	Ambrose	47/79
1,698,355	A *	1/1929	Wiemer	119/72
D89,262	S *	2/1933	Nunimaker	D30/130
D105,450	S *	7/1937	Clifton	D30/130
2,809,468	A *	10/1957	Eliot	47/44
3,016,202	A *	1/1962	Zalewski	239/542
3,471,968	A *	10/1969	Letz	47/47
3,661,121	A *	5/1972	Zielin	119/61.57
D237,787	S *	11/1975	Weyrich, Jr.	D34/24
D258,018	S *	1/1981	Venditto et al.	D30/130
4,976,223	A *	12/1990	Pierce	119/61.56
5,000,124	A *	3/1991	Bergen	119/63
D315,974	S *	4/1991	Steiner	D30/131
5,054,431	A *	10/1991	Coviello	119/61.56
5,081,957	A *	1/1992	Warner, Jr.	119/61.5
D331,865	S *	12/1992	Parker	D8/1
D340,301	S *	10/1993	Evans et al.	D26/58
D346,098	S *	4/1994	Schweiker, Jr.	D8/1
D353,083	S *	12/1994	Simon	D3/316
D353,186	S *	12/1994	Browning	D8/1
D357,557	S *	4/1995	Piper	D30/133

5,501,176	A *	3/1996	Tully	119/61.57
5,509,376	A *	4/1996	Tsengas	119/51.5
D374,513	S *	10/1996	Melvin	D30/121
D374,517	S *	10/1996	Morrill	D30/133
5,584,263	A *	12/1996	Sexton	119/51.5
5,730,081	A *	3/1998	Tsengas	119/51.5
5,887,545	A *	3/1999	Cuttress	
5,901,497	A *	5/1999	Bulvin	47/48.5
D412,377	S *	7/1999	Sharon	D30/130
D414,303	S *	9/1999	Sharon	D30/130
D424,758	S *	5/2000	Akopdjanov	D30/129
D431,978	S *	10/2000	Mayhill	D8/1
D434,283	S *	11/2000	Dewey	D8/1
6,145,250	A *	11/2000	Mai	47/79
6,311,640	B1	11/2001	Mercado	
D453,895	S *	2/2002	Dewey	D8/1
D459,840	S *	7/2002	Lian	D30/124
6,453,607	B1 *	9/2002	Dewey	47/48.5
6,681,719	B1	1/2004	Warner	
6,901,880	B2 *	6/2005	Hammer	119/61.57
7,219,623	B2 *	5/2007	Flowers et al.	119/69.5
7,244,201	B2 *	7/2007	Hale	473/560
D551,400	S *	9/2007	Tsengas	D30/133
7,318,391	B2	1/2008	Brillon	
7,320,292	B1 *	1/2008	Ferrantelli et al.	119/61.56
7,341,019	B1 *	3/2008	Tsengas	119/61.5
D577,466	S *	9/2008	Shamoon	D30/133

(Continued)

Primary Examiner — Susan Moon Lee

(74) *Attorney, Agent, or Firm* — Daniel Boudwin

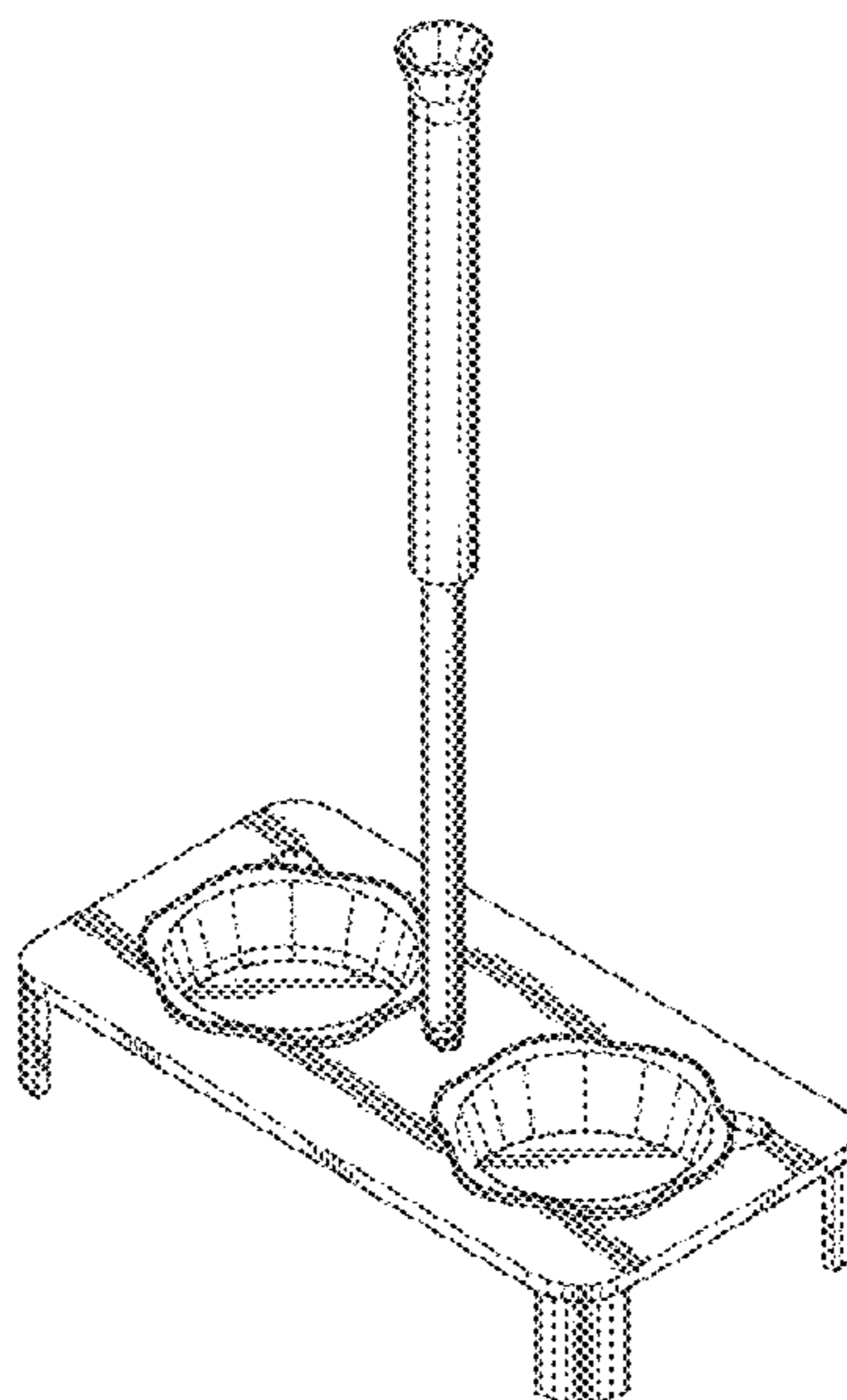
(57) **CLAIM**

The ornamental design for a pet food tray, as shown and described.

DESCRIPTION

FIG. 1 is an overhead perspective view of the pet food tray.
FIG. 2 is a frontal view of the pet food tray; and,
FIG. 3 is a side view of the pet food tray.

1 Claim, 2 Drawing Sheets



US D670,452 S

Page 2

U.S. PATENT DOCUMENTS

D578,255	S *	10/2008	Walsh	D30/129	D662,674	S *	6/2012	Tsengas	D30/133
D596,810	S *	7/2009	Macknowsky	D30/121	2002/0072436	A1 *	6/2002	Liu	473/457
D616,618	S *	5/2010	Pearcey	D30/162	2003/0106498	A1	6/2003	Mersits		
D618,862	S *	6/2010	Shamoon et al.	D30/133	2003/0231502	A1 *	12/2003	Smith	362/401
7,857,274	B1 *	12/2010	Parks	248/310	2005/0126502	A1 *	6/2005	Leary	119/61.56
7,987,816	B1 *	8/2011	Walsh	119/61.56	2006/0283397	A1 *	12/2006	Loeffelholz	119/61.56
8,001,931	B2 *	8/2011	Deese et al.	119/61.57	2007/0199511	A1 *	8/2007	Weinblatt	119/61.5
8,082,883	B2 *	12/2011	Aletti	119/61.57	2008/0116704	A1 *	5/2008	Botello et al.	294/1.5
D653,001	S *	1/2012	Tsengas	D30/133	2010/0162961	A1 *	7/2010	Hove et al.	119/51.5
D662,268	S *	6/2012	Pearcey	D30/162	2010/0300365	A1 *	12/2010	Weinblatt	119/61.5

* cited by examiner

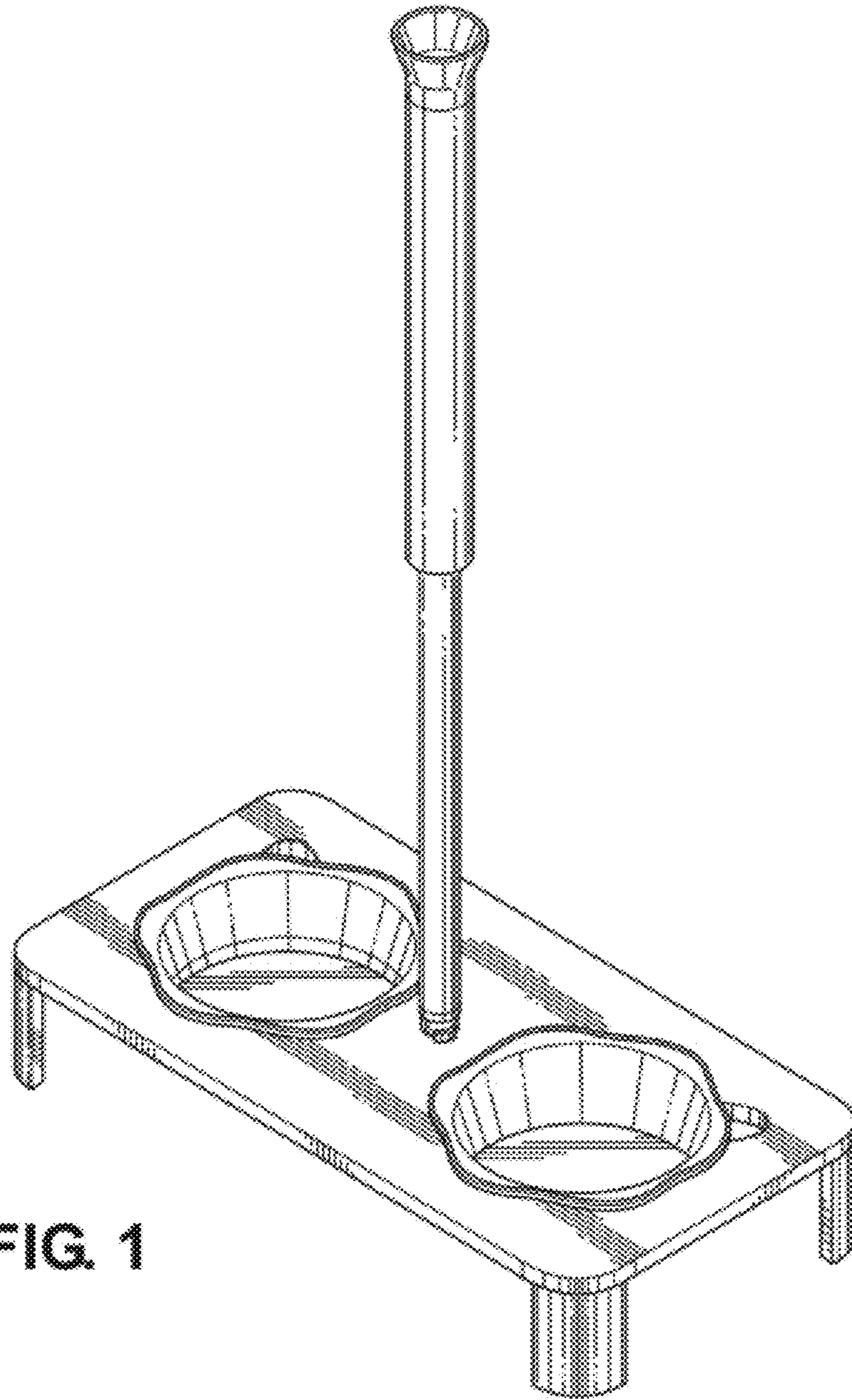


FIG. 1

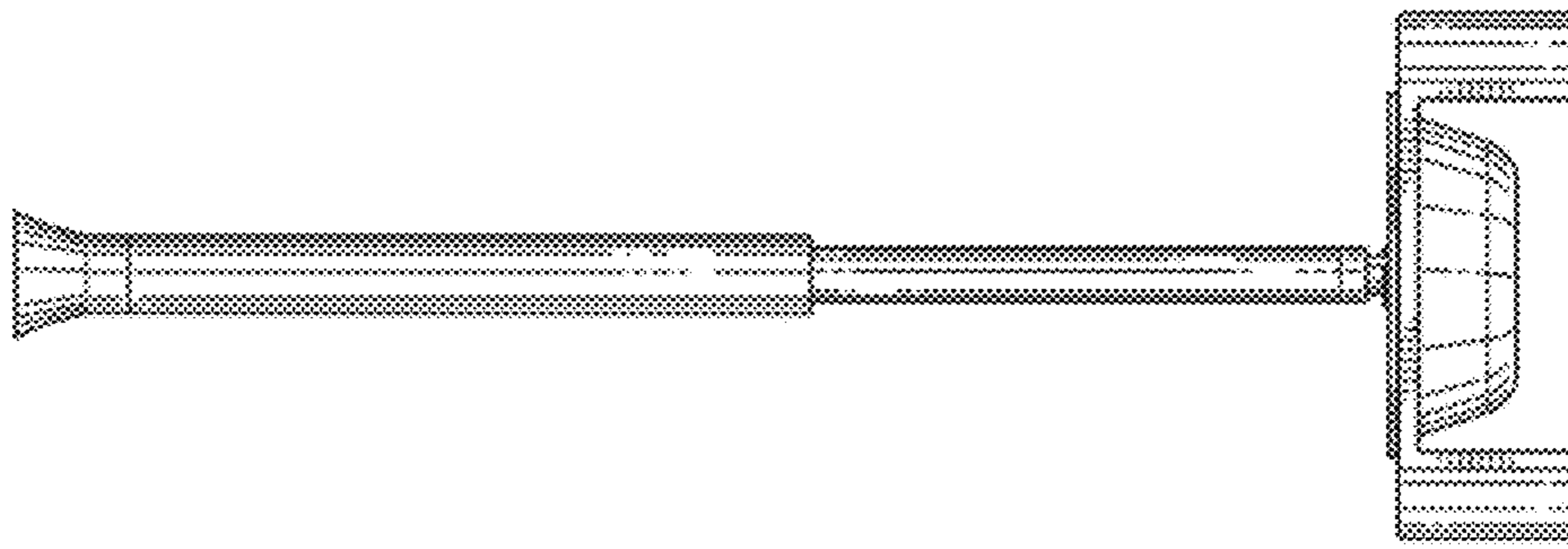


FIG. 3

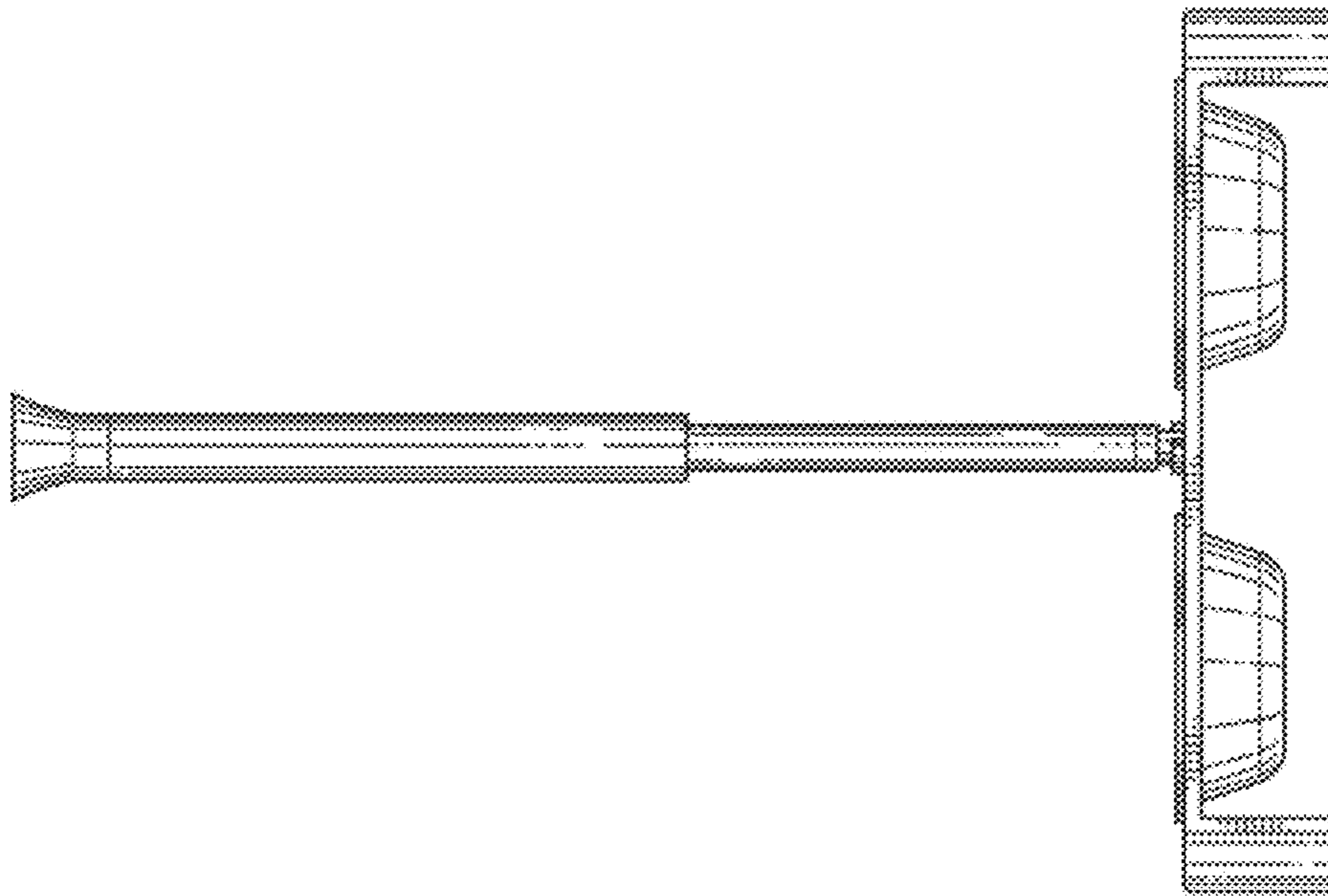


FIG. 2