



US00D670451S

(12) **United States Design Patent**
Able

(10) **Patent No.:** **US D670,451 S**

(45) **Date of Patent:** **** Nov. 6, 2012**

(54) **PET BOWL**

(75) Inventor: **Rich Able**, Tacoma, WA (US)

(73) Assignee: **ModaPet, Inc.**, Reno, NV (US)

(**) Term: **14 Years**

(21) Appl. No.: **29/365,230**

(22) Filed: **Jul. 6, 2010**

(51) **LOC (9) Cl.** **30-03**

(52) **U.S. Cl.** **D30/129**

(58) **Field of Classification Search** D30/121,
D30/122, 129–133; 119/61.5, 51.01, 61.56,
119/51.03, 59, 62, 63, 51.5, 57.8, 74, 61.54,
119/61.55; 312/204; 248/151, 188; 108/156,
108/153.1–157; 220/23.87, 630, 737, 743,
220/9.4, 495.01, 574, 212, 255, 23.83; 206/515;
D7/586, 543, 550.1, 587, 505, 584, 545, 500,
D7/553.1–553.8, 546, 555, 556, 504, 565,
D7/562, 602; D9/429; 43/109; D22/122;
99/430, DIG. 15

See application file for complete search history.

(56) **References Cited**

U.S. PATENT DOCUMENTS

| | | |
|-----------|---------|------------|
| D3,221 S | 11/1868 | Fry |
| D6,613 S | 4/1873 | Atterbury |
| D6,805 S | 8/1873 | Hobbs |
| D28,733 S | 5/1898 | Davies |
| D30,267 S | 2/1899 | Healy |
| D41,092 S | 1/1911 | Steimer |
| D41,413 S | 5/1911 | Anderson |
| D43,852 S | 4/1913 | Sanford |
| D44,996 S | 12/1913 | Buser |
| D45,188 S | 2/1914 | Feeney |
| D50,401 S | 2/1917 | Miller |
| D52,816 S | 12/1918 | Beiswanger |

| | | | | | |
|-------------|---|---------|-----------|-------|---------|
| D62,679 S | * | 7/1923 | Wanerman | | D7/558 |
| D64,850 S | | 6/1924 | Heisey | | |
| D69,040 S | | 12/1925 | Loomis | | |
| D76,507 S | | 10/1928 | Vericel | | |
| D101,140 S | | 9/1936 | Robertson | | |
| D103,967 S | * | 4/1937 | Gild | | D7/558 |
| 2,121,165 A | | 6/1938 | Slobodkin | | |
| D110,902 S | * | 8/1938 | Loesch | | D7/558 |
| D117,734 S | | 11/1939 | Hobson | | |
| 2,693,686 A | * | 11/1954 | Pierce | | 220/531 |
| 2,781,651 A | | 2/1957 | Cutler | | |

(Continued)

OTHER PUBLICATIONS

Web pages of dog bowls from All Pet Furniture.com, 18 pp., downloaded from www.allpetfurniture.com on Jun. 10, 2010.

(Continued)

Primary Examiner — Susan Moon Lee

(74) *Attorney, Agent, or Firm* — Klarquist Sparkman, LLP

(57) **CLAIM**

The ornamental design for a pet bowl, as shown and described.

DESCRIPTION

FIG. 1 is a front perspective view of the new design for a pet bowl.

FIG. 2 is a top plan view of the new design of FIG. 1

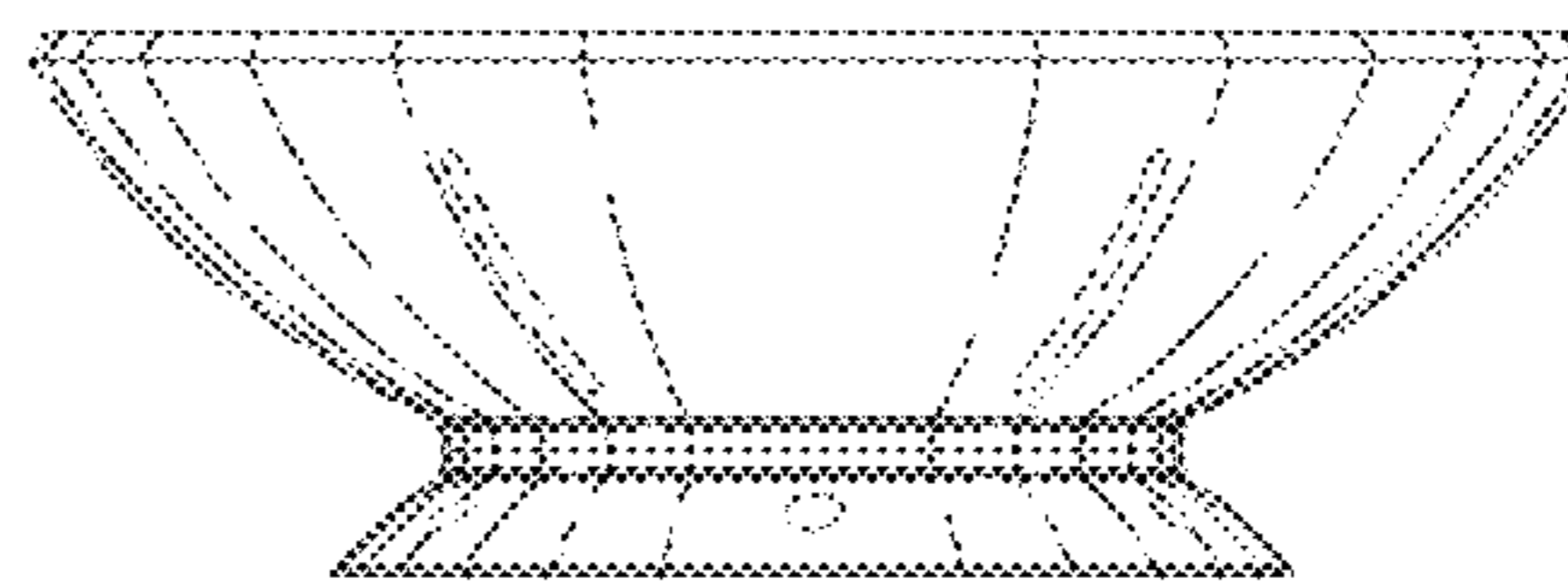
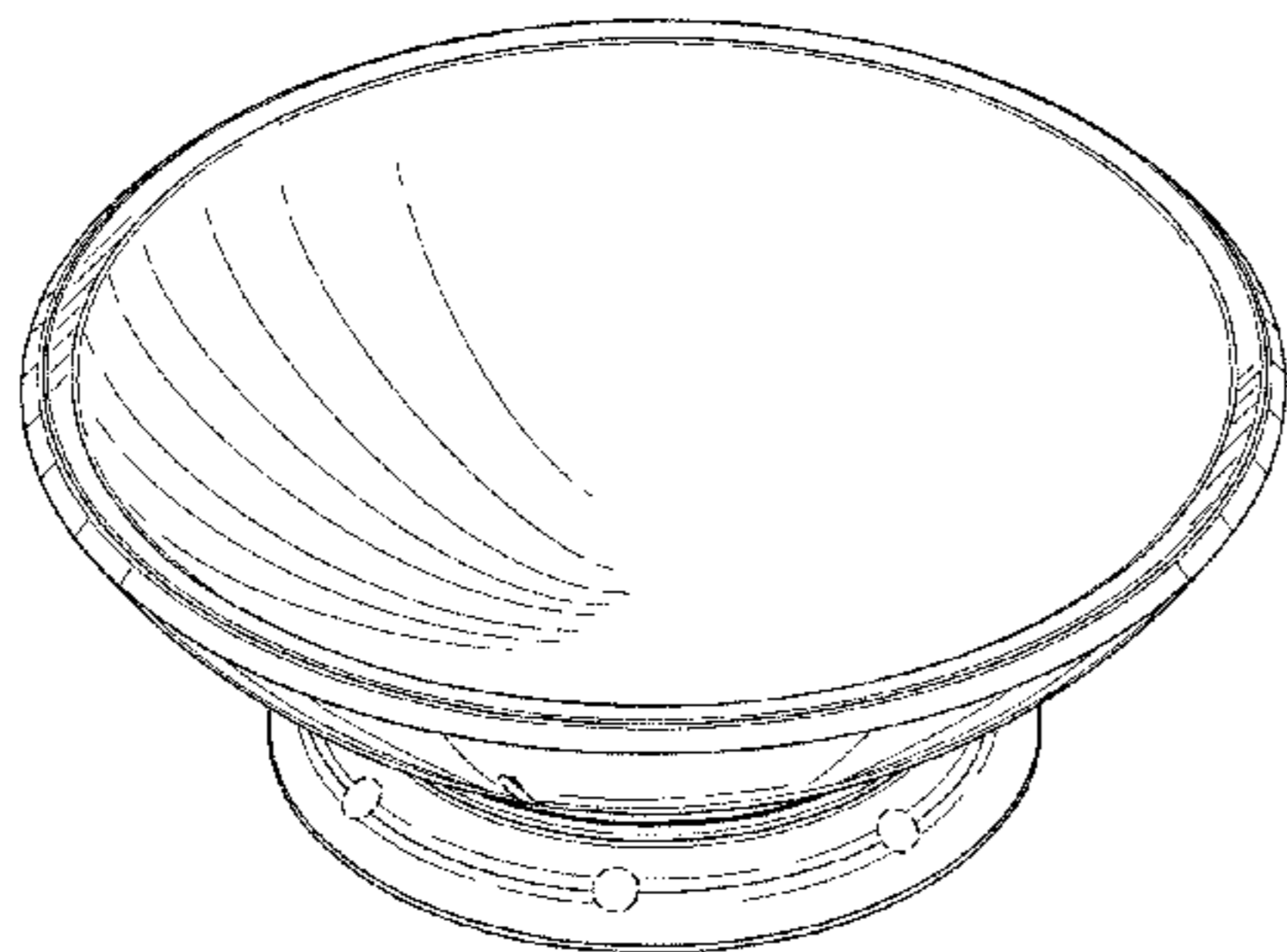
FIG. 3 is a front elevational view of the new design of FIG. 1.

FIG. 4 is a bottom plan view of the new design of FIG. 1; and,

FIG. 5 is a back elevational view of the new design of FIG. 1.

In the figures, the thinner solid lines appearing within the boundaries of the pet bowl are shading lines used to indicate the bowl's contoured surfaces. The even broken lines in the figures are shown for purposes of illustrating environmental structure and form no part of the claimed design.

1 Claim, 3 Drawing Sheets



US D670,451 S

Page 2

U.S. PATENT DOCUMENTS

| | | | |
|-------------------|---------|-------------------|-----------|
| D187,604 S | 4/1960 | Dreitzen | |
| D190,668 S | 6/1961 | Bliss | |
| D196,315 S | 9/1963 | Corey | |
| D201,192 S | 5/1965 | Nell | |
| D201,194 S | 5/1965 | Nell | |
| 3,183,545 A | 5/1965 | Bergstrom | |
| 3,202,131 A | 8/1965 | Jones | |
| D208,097 S * | 7/1967 | Henn | D7/558 |
| D214,130 S | 5/1969 | Appel | |
| D219,302 S | 11/1970 | Dalton | |
| 3,565,281 A * | 2/1971 | Stafford | 220/506 |
| D225,433 S * | 12/1972 | Rosenlund | D7/360 |
| D230,001 S | 1/1974 | Wright | |
| D240,885 S | 8/1976 | Benes | |
| D246,750 S * | 12/1977 | Harshman et al. | D7/558 |
| D248,076 S | 6/1978 | Christian | |
| D248,269 S | 6/1978 | Schreckengost | |
| D248,526 S | 7/1978 | Benes | |
| D249,967 S | 10/1978 | Benes | |
| D269,586 S | 7/1983 | Allgeyer et al. | |
| D270,416 S | 9/1983 | Thrush | |
| 4,506,799 A * | 3/1985 | Mason, Jr. | 220/628 |
| D279,445 S * | 7/1985 | Jagger | D7/558 |
| D281,754 S | 12/1985 | Trombly | |
| D289,248 S | 4/1987 | Joaquin | |
| 4,784,086 A | 11/1988 | Hand et al. | |
| 4,803,954 A * | 2/1989 | Welch et al. | 119/61.53 |
| 4,827,874 A | 5/1989 | Mahan | |
| D304,659 S | 11/1989 | Asner | |
| D307,231 S | 4/1990 | Ciaccio | |
| D310,464 S | 9/1990 | Laib | |
| D315,658 S | 3/1991 | Scherer | |
| D316,360 S | 4/1991 | Thorp | |
| 5,031,575 A | 7/1991 | Phillips | |
| 5,069,166 A | 12/1991 | Ahuna | |
| 5,069,167 A | 12/1991 | Kasselman | |
| D323,097 S | 1/1992 | Picozza | |
| D324,324 S | 3/1992 | Picozza | |
| 5,109,800 A * | 5/1992 | Williams | 119/61.53 |
| D329,782 S | 9/1992 | Narsutis | |
| 5,205,242 A | 4/1993 | Kasselman | |
| D340,554 S | 10/1993 | Wheeler | |
| D340,638 S | 10/1993 | Campbell | |
| D341,057 S | 11/1993 | Lundberg et al. | |
| D341,449 S | 11/1993 | Conner | |
| D344,370 S | 2/1994 | Dryden et al. | |
| 5,445,110 A * | 8/1995 | Birnie | 119/61.5 |
| D362,089 S * | 9/1995 | Moore et al. | D30/129 |
| D371,938 S | 7/1996 | Davis | |
| D373,284 S | 9/1996 | Hirst | |
| D376,954 S | 12/1996 | Burns et al. | |
| D381,472 S | 7/1997 | Catalano et al. | |
| D382,766 S | 8/1997 | Hamada et al. | |
| D383,944 S * | 9/1997 | Lillelund et al. | D7/558 |
| D385,749 S | 11/1997 | Ebrahim et al. | |
| 5,813,638 A * | 9/1998 | Morris | 248/152 |
| D403,555 S | 1/1999 | Burns et al. | |
| D407,949 S | 4/1999 | Henry | |
| D412,226 S | 7/1999 | Bellehumeur | |
| D420,854 S | 2/2000 | Michaeli | |
| D422,180 S * | 4/2000 | Sundberg | D7/545 |
| D423,149 S | 4/2000 | Cooper et al. | |
| D426,104 S | 6/2000 | Bradley | |
| D426,427 S | 6/2000 | Rubbright et al. | |
| D435,197 S * | 12/2000 | Wellner | D7/558 |
| D443,395 S | 6/2001 | Suns | |
| D451,348 S | 12/2001 | Benson | |
| 6,330,956 B1 * | 12/2001 | Willinger | 220/574 |
| D454,990 S | 3/2002 | Lorenzana | |
| D460,019 S | 7/2002 | Thimm | |
| D465,884 S | 11/2002 | Ross | |
| D466,256 S * | 11/2002 | Kaplan | D30/129 |
| D469,311 S | 1/2003 | Stone et al. | |
| D471,404 S | 3/2003 | Gady | |
| D480,909 S * | 10/2003 | Morgan | D7/354 |
| D482,967 S | 12/2003 | Bourque et al. | |
| D487,667 S * | 3/2004 | Morgan | D7/356 |
| D491,696 S | 6/2004 | Cole et al. | |
| D493,664 S | 8/2004 | Siegel et al. | |
| D507,148 S | 7/2005 | Spagnolo | |
| D511,437 S | 11/2005 | Brown | |
| D513,375 S * | 1/2006 | Rocha | D7/558 |
| D514,750 S | 2/2006 | Matula | |
| 7,017,518 B2 * | 3/2006 | Zolnierz et al. | 119/61.3 |
| D523,996 S | 6/2006 | Fine | |
| D543,787 S | 6/2007 | Wasserman et al. | |
| 7,229,280 B2 * | 6/2007 | Kubicek et al. | 431/289 |
| D546,127 S | 7/2007 | Vovan | |
| D557,972 S | 12/2007 | Ablo | |
| D574,705 S | 8/2008 | Kortleven | |
| D583,658 S | 12/2008 | Follansbee et al. | |
| D589,789 S | 4/2009 | Follansbee et al. | |
| D594,285 S | 6/2009 | Merey | |
| D597,793 S | 8/2009 | Krueger et al. | |
| D603,222 S | 11/2009 | Krueger et al. | |
| D620,556 S | 7/2010 | Hillhouse et al. | |
| 7,823,538 B1 * | 11/2010 | Merager | 119/72 |
| D629,641 S | 12/2010 | Kuan | |
| D636,945 S | 4/2011 | Anderson et al. | |
| D636,946 S | 4/2011 | Able | |
| D638,290 S | 5/2011 | Cimmerer et al. | |
| D640,098 S | 6/2011 | Seager | |
| D640,100 S | 6/2011 | Shing | |
| 2006/0249089 A1 * | 11/2006 | Behunin | 119/61.57 |
| 2012/0017837 A1 * | 1/2012 | Crawford | 119/61.1 |

OTHER PUBLICATIONS

Web pages of dog bowls and treat jars from Calling All Dogs Dog, 4 pp., downloaded from www.callingalldogs.com on Jun. 10, 2010.
 Web pages of dog bowls, feeders, & waterers from Petco, 5 pp., downloaded from www.petco.com on Jun. 10, 2010.
 Web pages of dog bowls from PetSmart, 6 pp., downloaded from www.petsmart.com on Jun. 10, 2010.
 Web pages of dog bowls from The Pampered Pup, 9 pp., downloaded from www.thepamperedpup.com on Jun. 10, 2010.

* cited by examiner

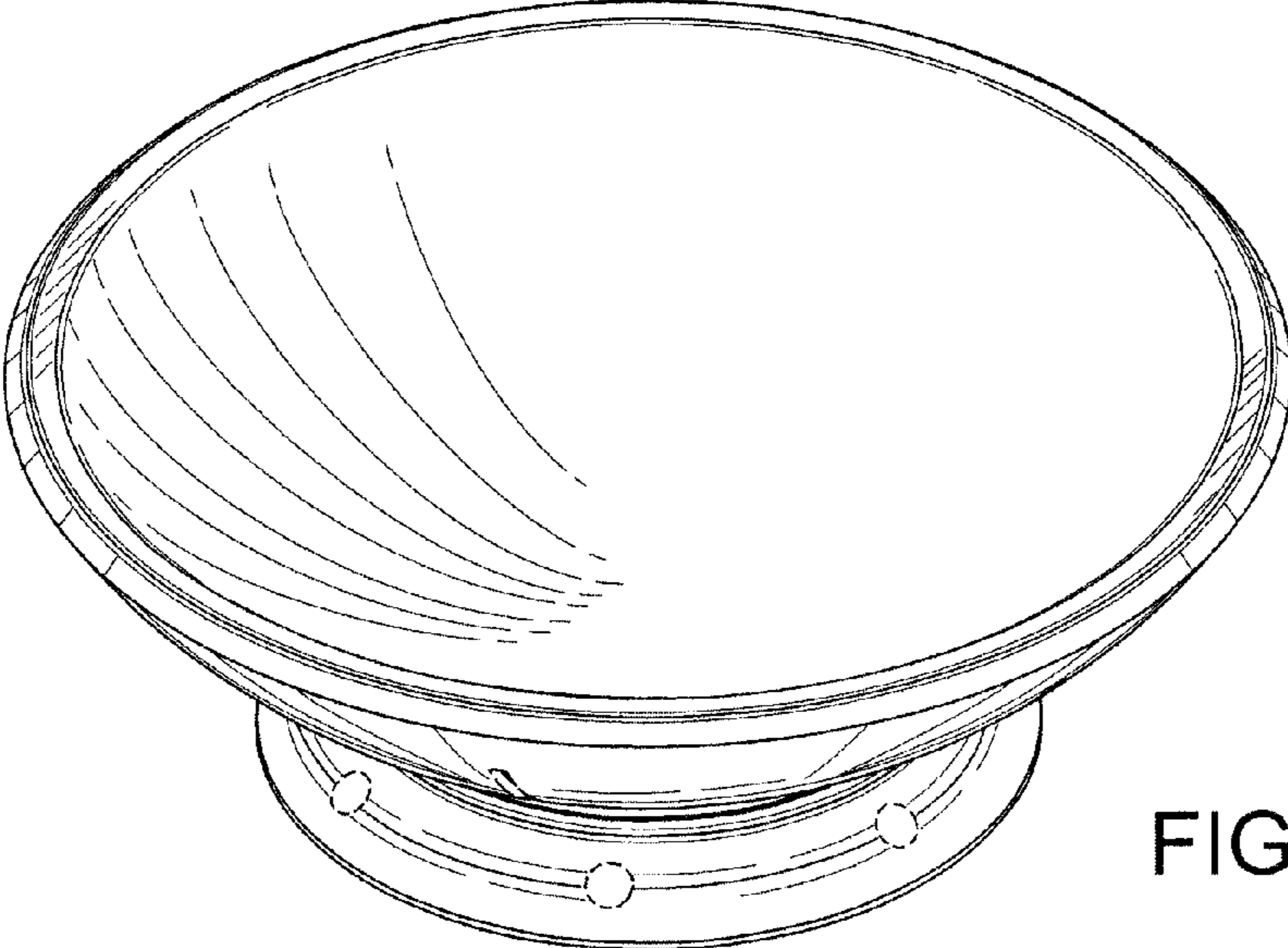


FIG. 1

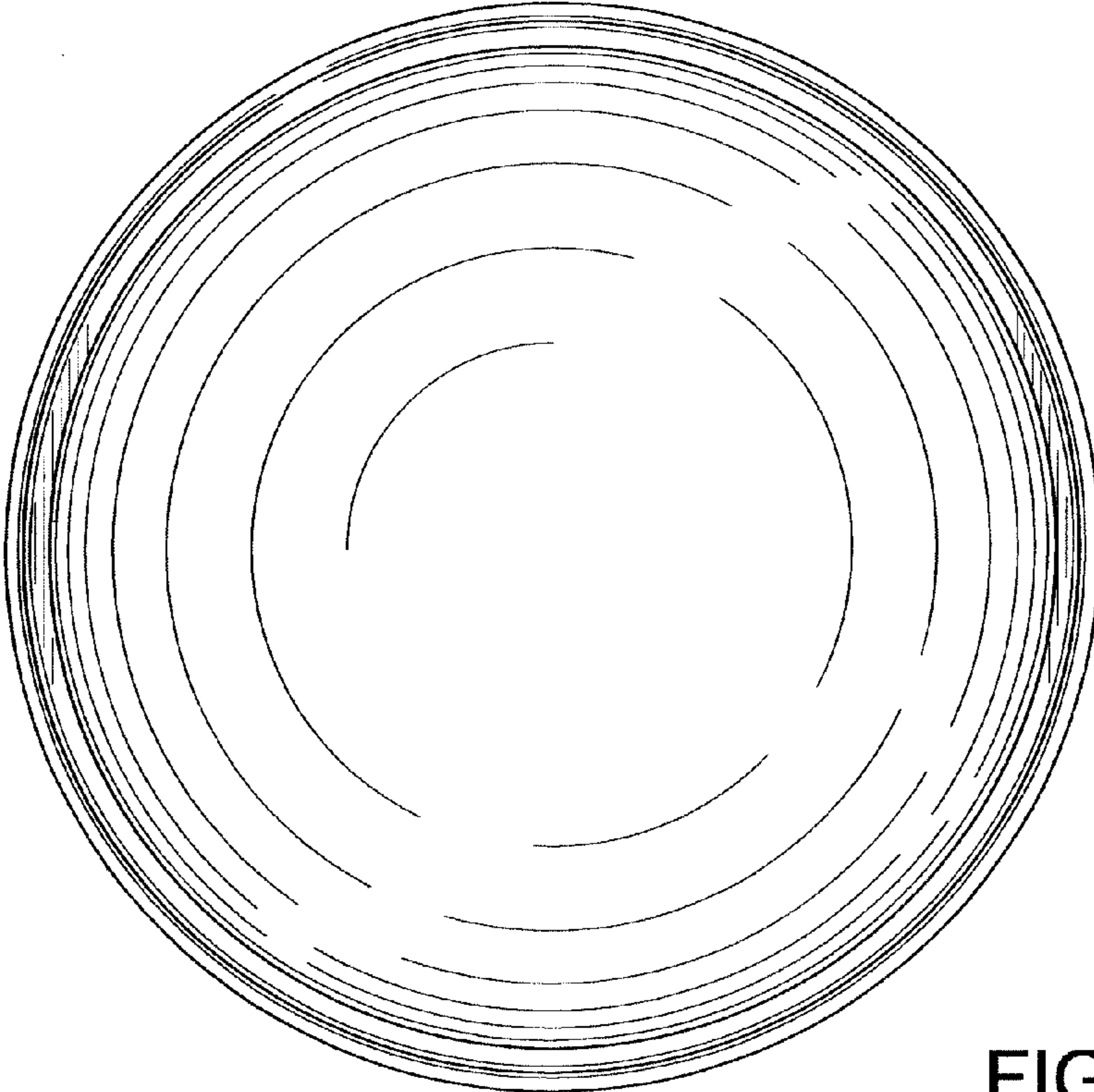


FIG. 2

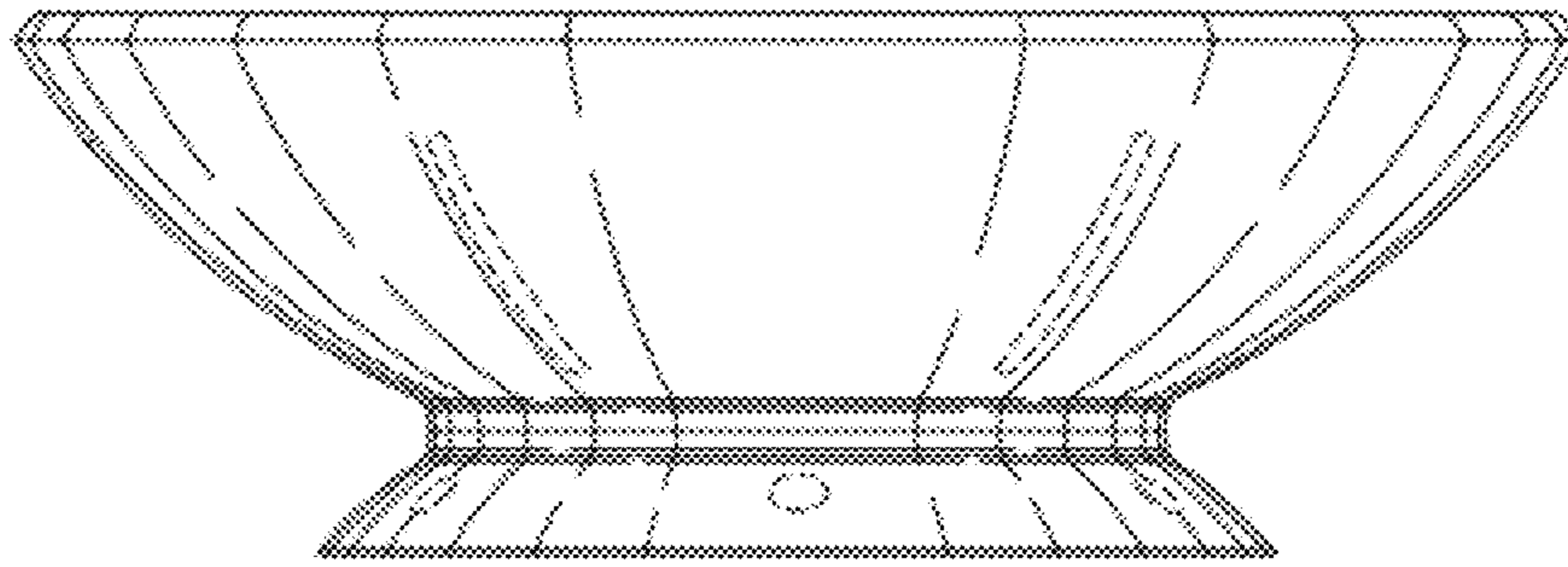


FIG. 3

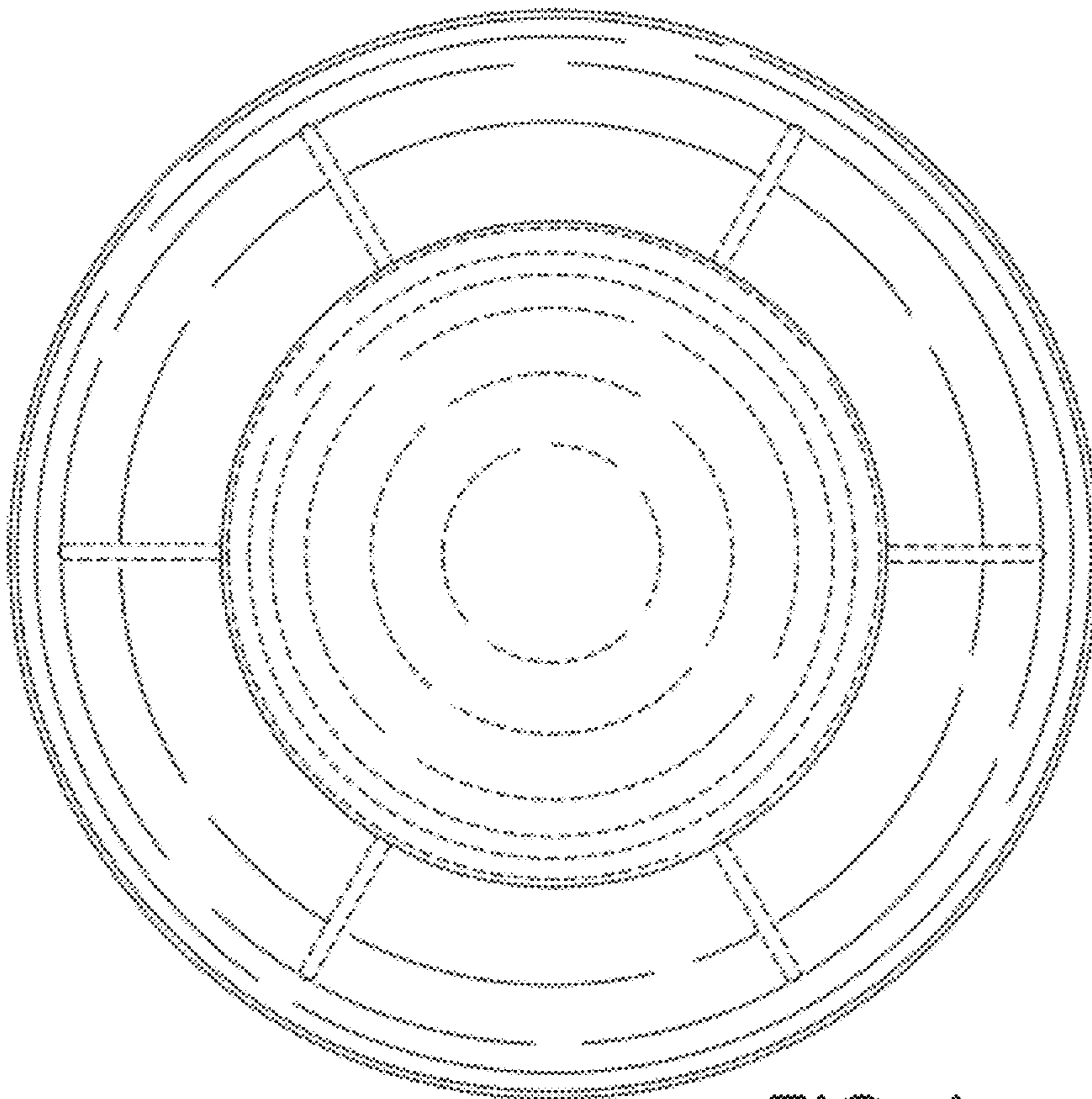


FIG. 4

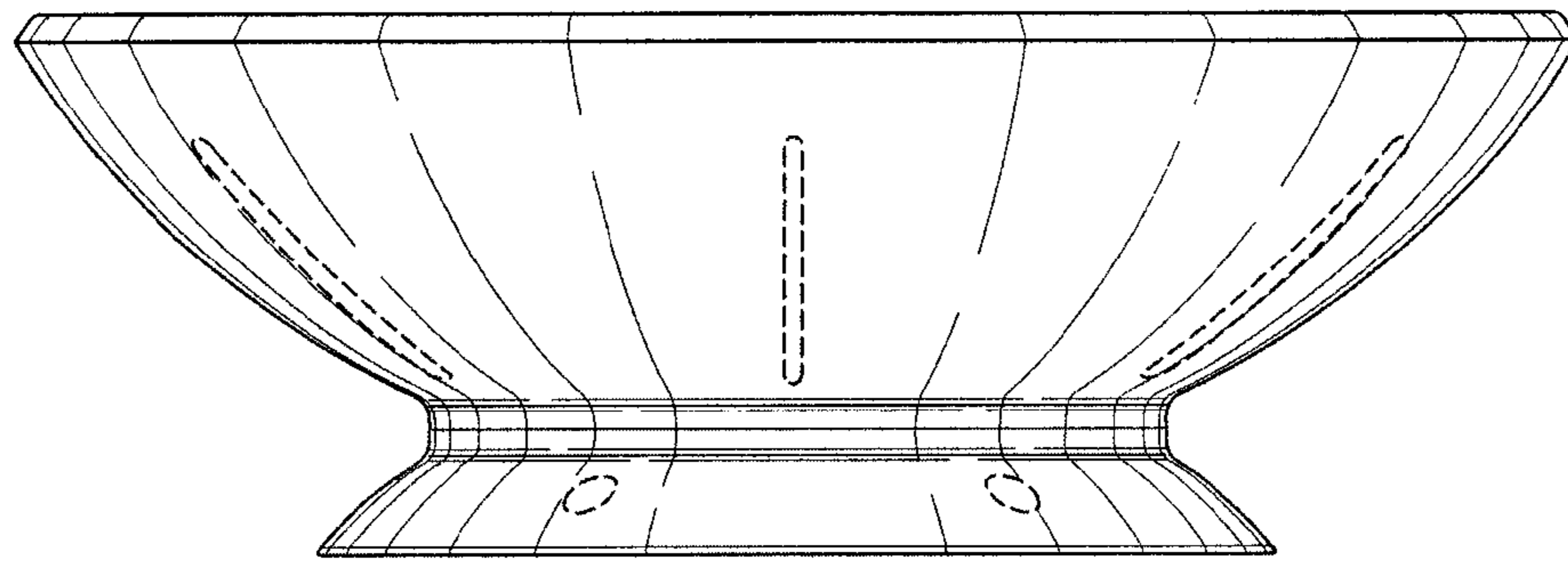


FIG. 5