



US00D670450S

(12) **United States Design Patent**
Graves et al.

(10) **Patent No.:** **US D670,450 S**
(45) **Date of Patent:** **** Nov. 6, 2012**

(54) **REMOVABLE LINER**

(75) Inventors: **Jason R. Graves**, Knoxville, TN (US);
Marc E. Brush, Knoxville, TN (US);
Ben T. Ferguson, III, Knoxville, TN (US)

(73) Assignee: **Radio Systems Corporation**, Knoxville, TN (US)

(**) Term: **14 Years**

(21) Appl. No.: **29/323,500**

(22) Filed: **Aug. 26, 2008**

(51) **LOC (9) Cl.** **30-03**

(52) **U.S. Cl.** **D30/129; D30/121**

(58) **Field of Classification Search** D30/123,
D30/129, 132, 121; 119/69.5, 673, 57.8,
119/68, 74, 61.57, 78-81, 61.4, 57.9, 51.5,
119/61.5, 72; 47/66.6, 39, 67, 83; 239/27,
239/280, 200, 281, 280.5, 273, 16, 17, 20,
239/22; 4/644, 627, 638; D7/558; D11/144,
D11/145, 153; D99/5, 24; 27/1; D23/201,
D23/292; 248/127, 132, 137, 138, 158, 910;
215/10; D6/353, 352, 484, 360, 480, 488;
219/521; 329/442, 459

See application file for complete search history.

(56) **References Cited**

U.S. PATENT DOCUMENTS

D109,508 S * 5/1938 Wood D7/566
D186,040 S * 9/1959 Stageberg D7/566
D217,132 S * 4/1970 Argenta D9/417
3,515,334 A * 6/1970 Jacobson 229/200
D243,380 S * 2/1977 Berger D7/354
D249,491 S * 9/1978 Bernhardt D9/425
D251,202 S * 2/1979 Charewicz D24/123
D275,165 S * 8/1984 Grusin D7/602
D296,746 S * 7/1988 Wiinblad D7/587
D310,748 S * 9/1990 Embree et al. D3/304
D342,896 S * 1/1994 Gottofredi D9/425
D374,109 S * 9/1996 Lillelund et al. D30/121
5,791,289 A * 8/1998 Savicki 119/165

D400,099 S * 10/1998 Brauner et al. D9/431
D415,933 S * 11/1999 Cornelissen D7/587
D425,982 S * 5/2000 Wilkinson et al. D24/122
6,149,006 A * 11/2000 Brauner et al. 206/551
D513,704 S * 1/2006 Bukowski D9/715
D540,624 S * 4/2007 Wasserman et al. D7/584
D619,319 S * 7/2010 Bergman D32/54
D622,540 S * 8/2010 Sarnoff et al. D7/354
D623,008 S * 9/2010 Sarnoff et al. D7/354
D623,359 S * 9/2010 Kim D30/129
2006/0037960 A1 * 2/2006 Rosa 220/495.02
2006/0042551 A1 * 3/2006 Moran 119/166
2007/0199942 A1 * 8/2007 Thom et al. 220/570

FOREIGN PATENT DOCUMENTS

GB 2337447 A * 11/1999

* cited by examiner

Primary Examiner — Susan Moon Lee

(74) *Attorney, Agent, or Firm* — Pitts & Brittan PC

(57) **CLAIM**

We claim the ornamental design for a removable liner, as shown and described.

DESCRIPTION

FIG. 1 is a perspective view of a removable liner according to the present invention within the base of a pet food or water station;

FIG. 2 is a perspective view of a removable liner according to the present invention;

FIG. 3 is a front elevation view thereof;

FIG. 4 is a rear elevation view thereof;

FIG. 5 is a left side elevation view thereof, the right side being a mirror image;

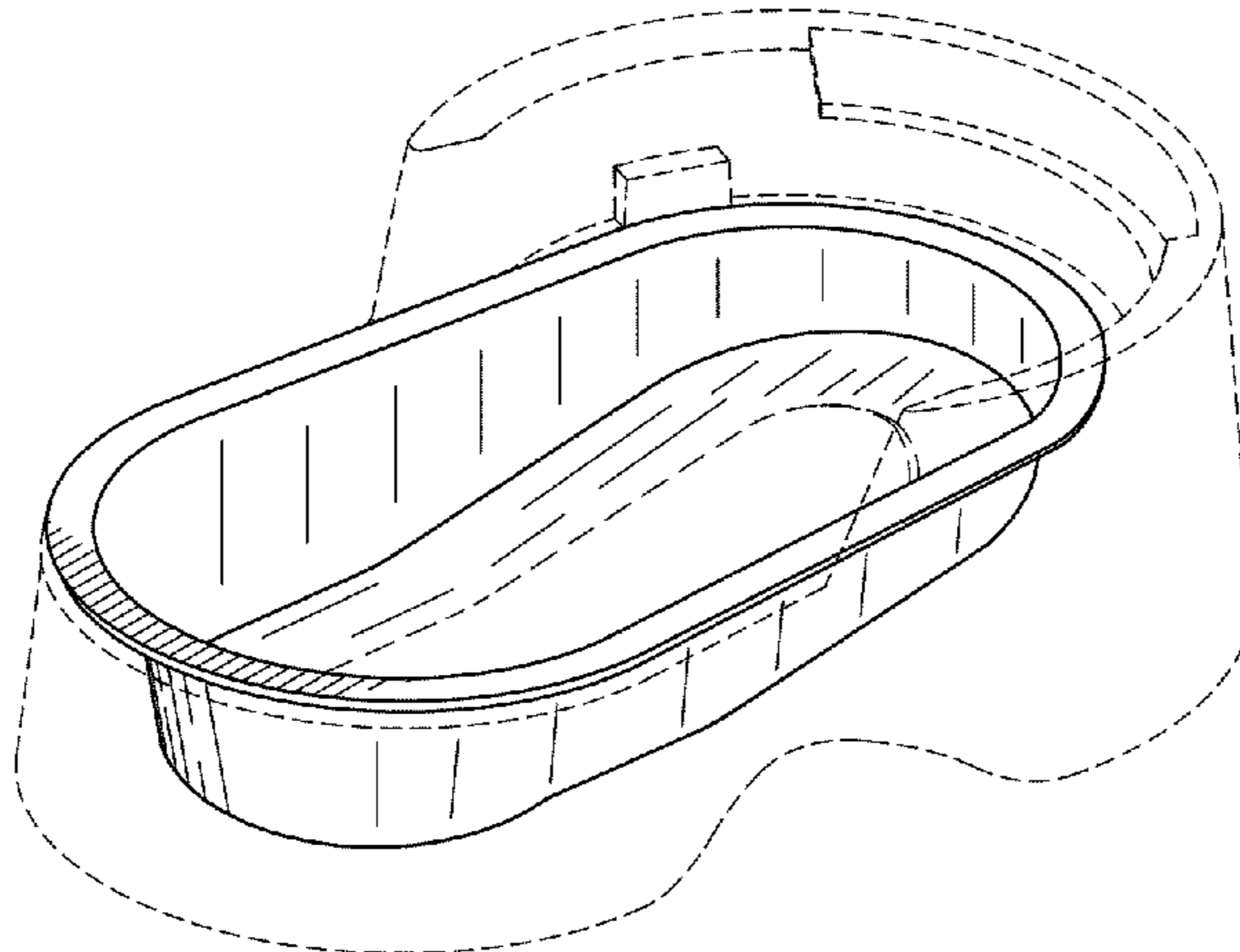
FIG. 6 is a top plan view thereof; and,

FIG. 7 is a bottom plan view thereof.

The base of the pet food or water station is shown in broken lines for illustrative purposes only and forms no part of the claimed design.

The features of the removable liner shown in broken lines form no part of the claimed design.

1 Claim, 4 Drawing Sheets



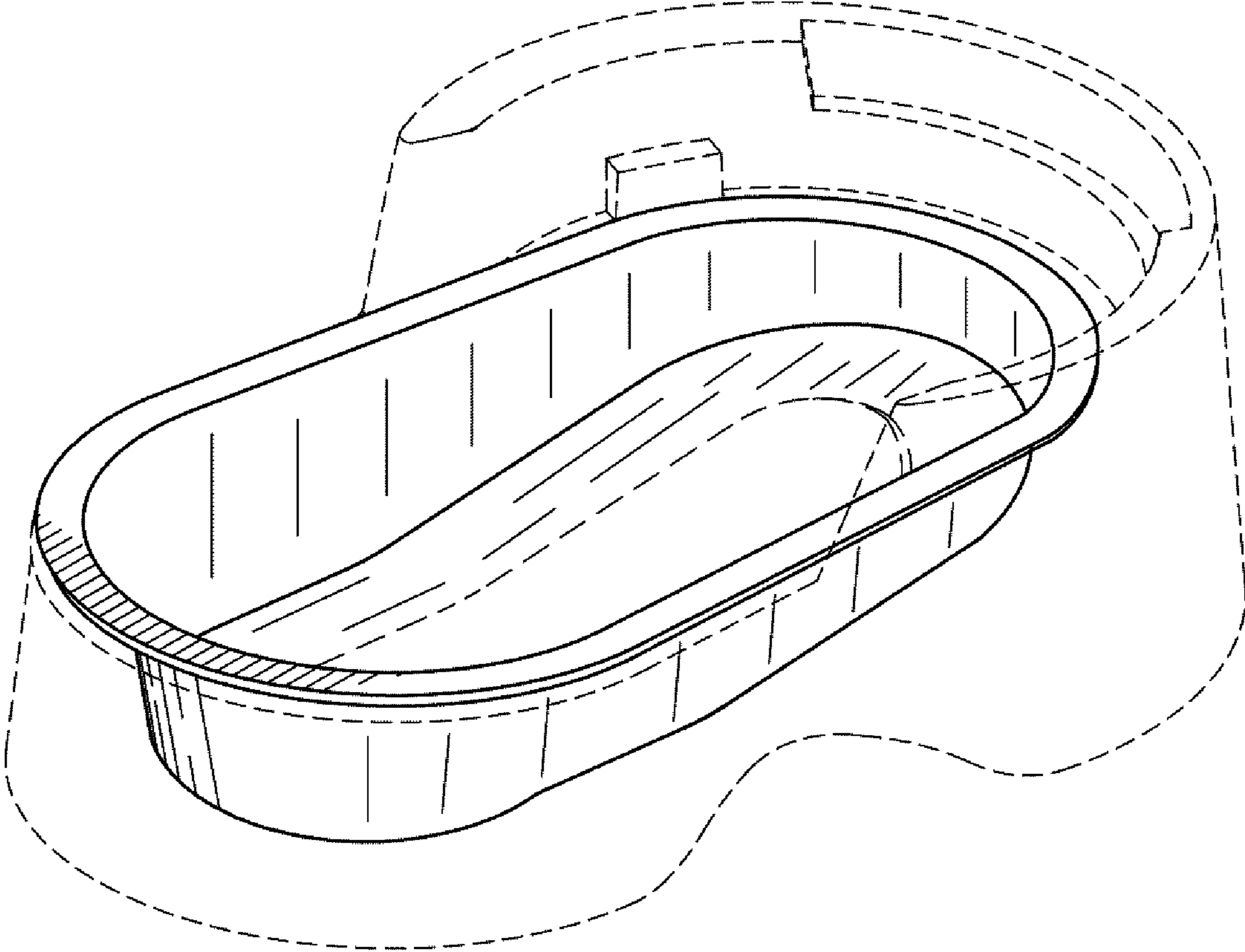


Fig. 1

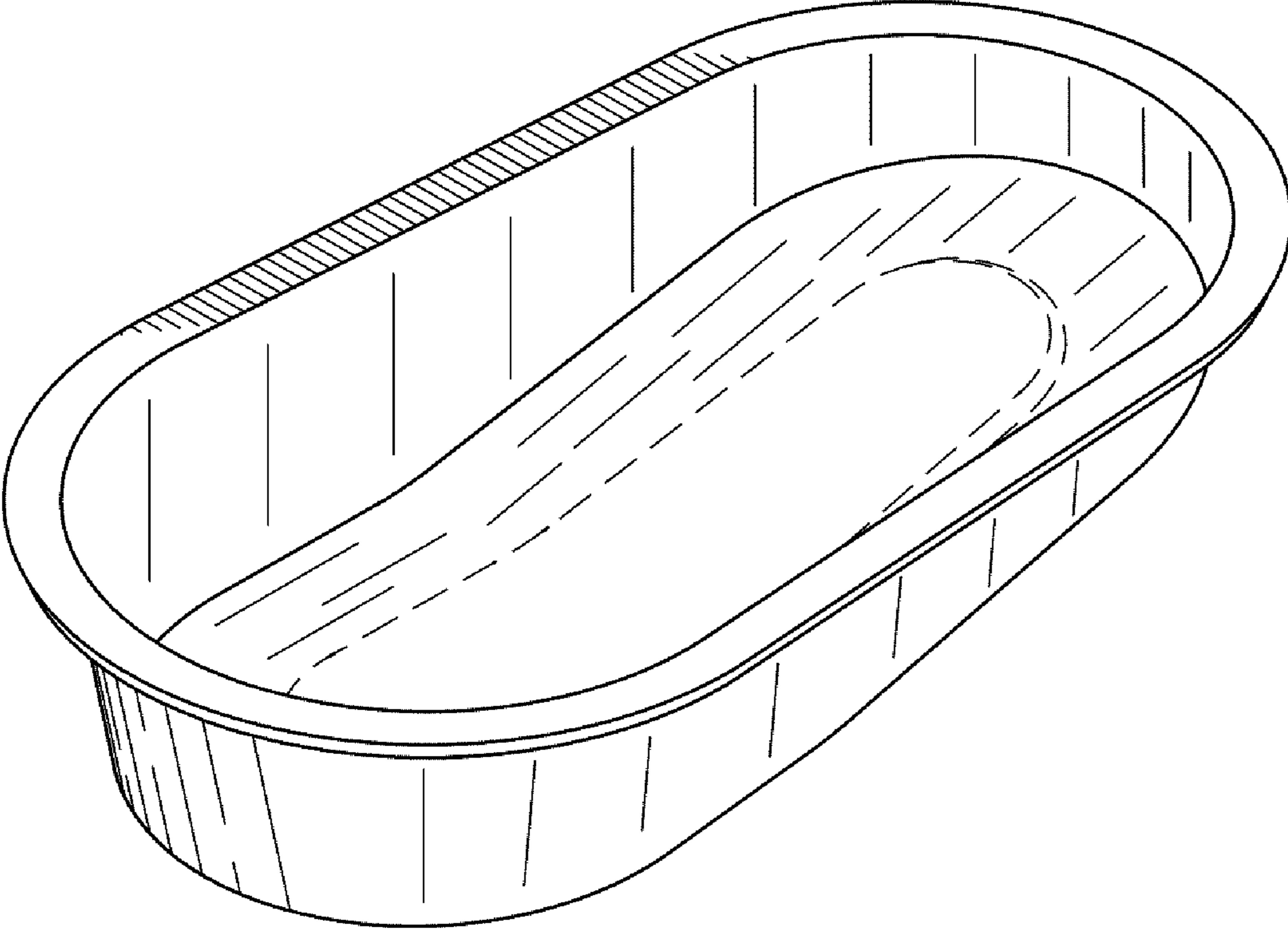


Fig. 2

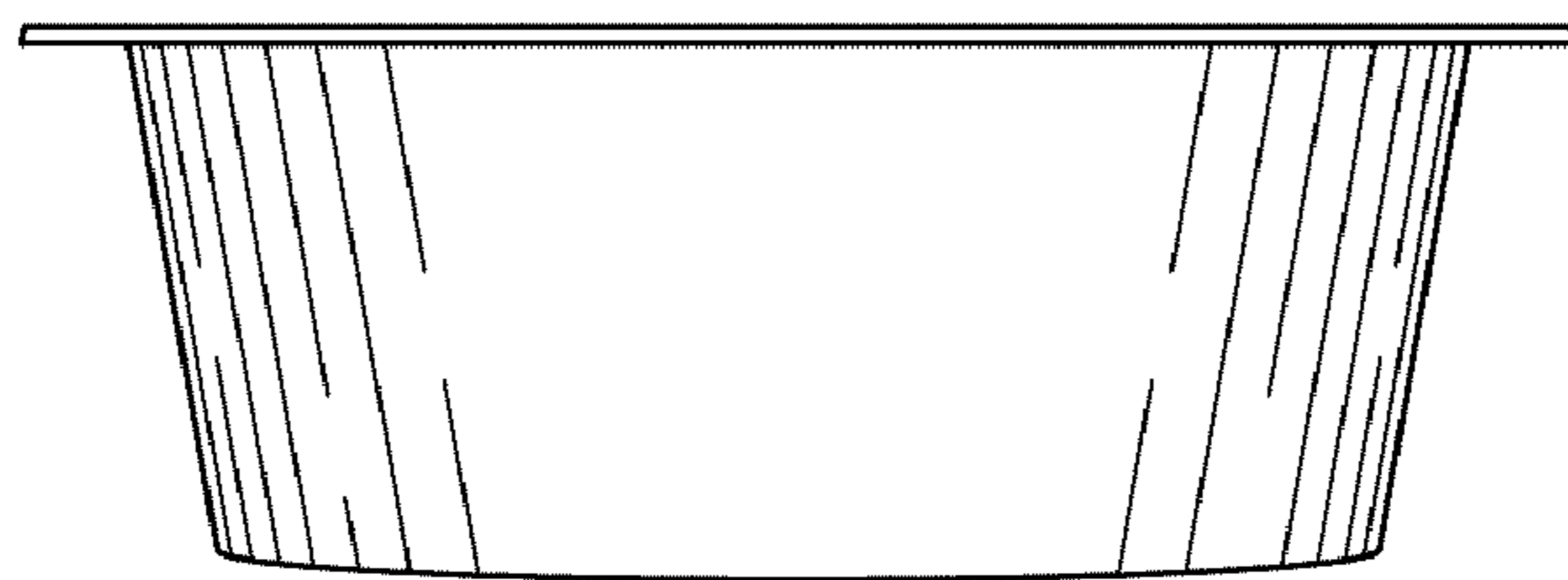


Fig. 3

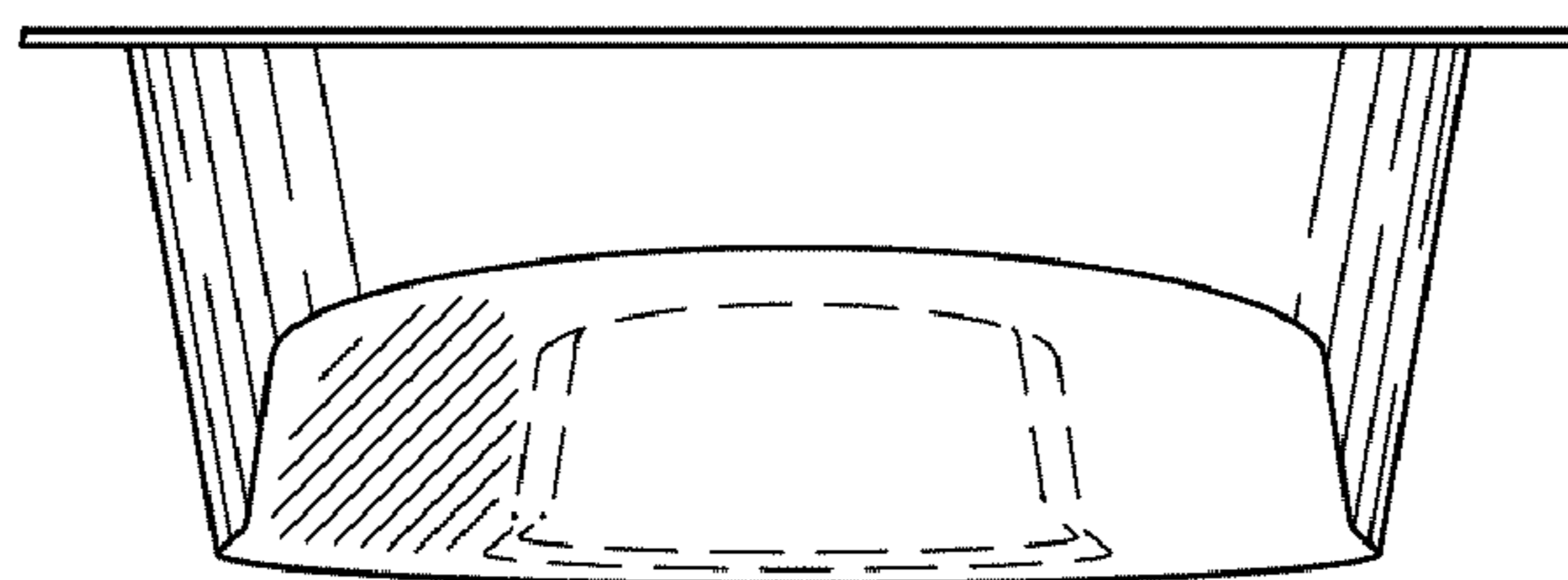


Fig. 4

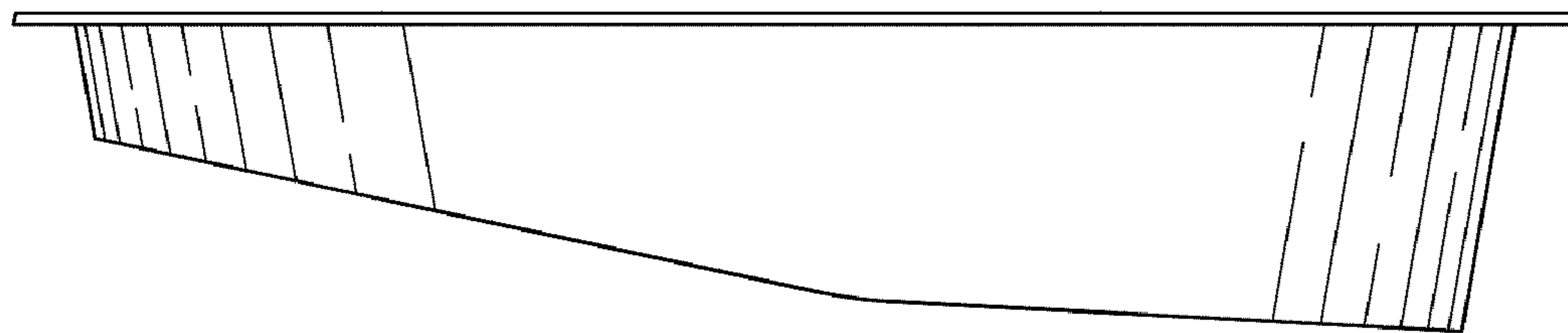


Fig. 5

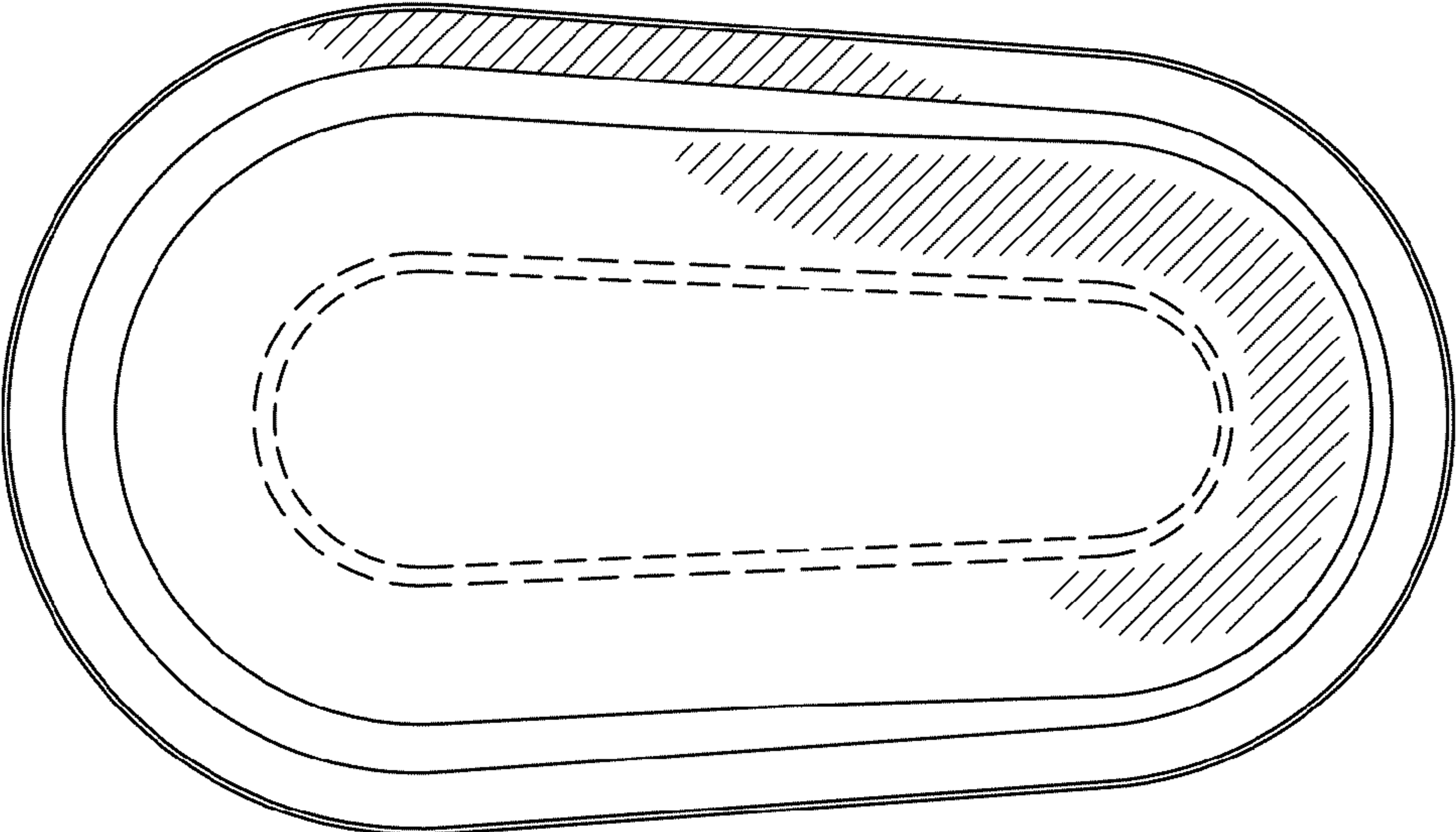


Fig. 7

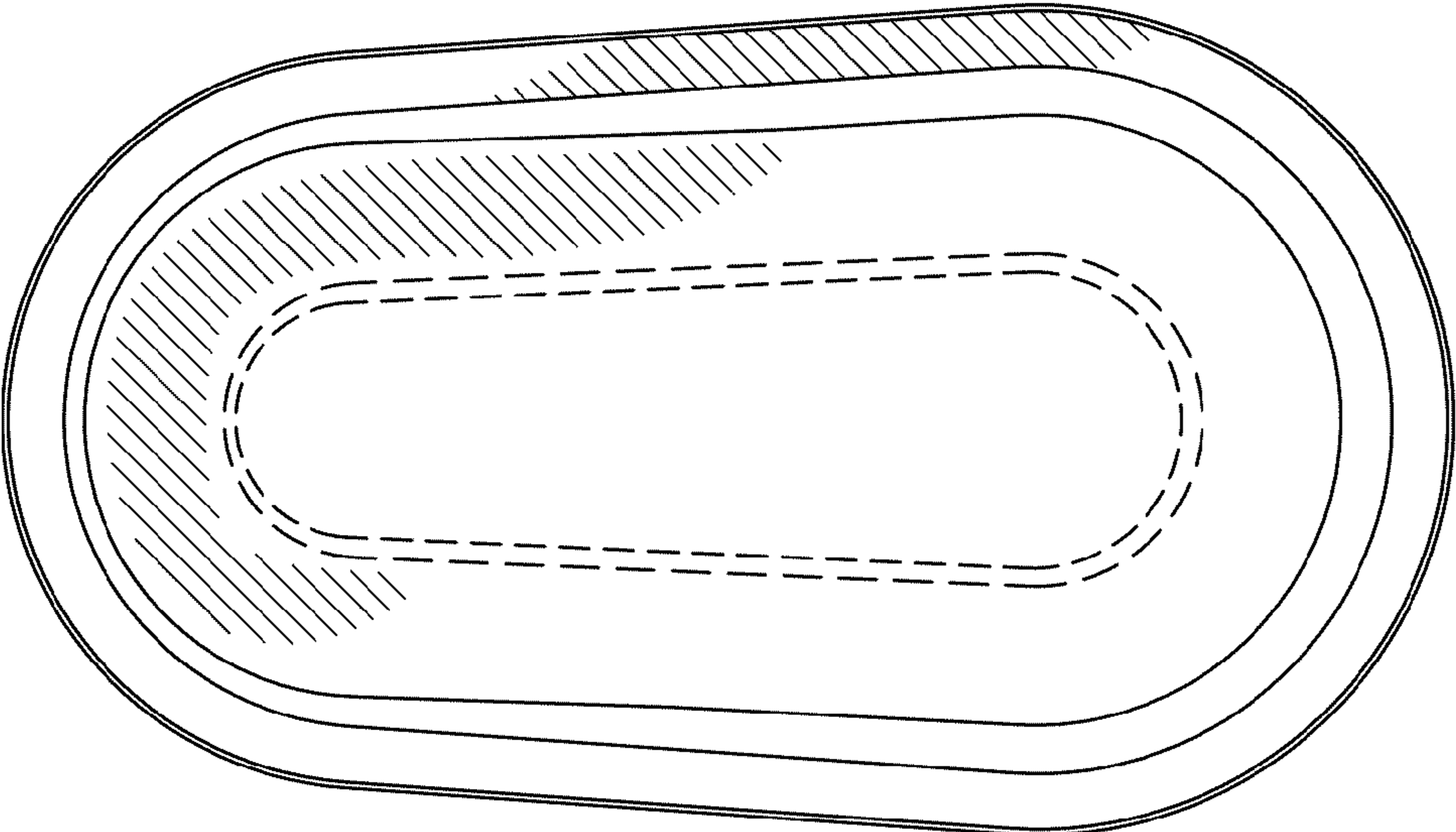


Fig. 6