



US00D670447S

(12) **United States Design Patent**  
**Emrich et al.**

(10) **Patent No.:** **US D670,447 S**  
(45) **Date of Patent:** **\*\* Nov. 6, 2012**

(54) **PROTECTIVE HEADPIECE**  
(75) Inventors: **Bryan Emrich**, Naperville, IL (US);  
**John Larkin**, Moscow, ID (US);  
**Frederick Mariani**, Newport, KY (US);  
**William Rempe**, Loveland, OH (US)

(73) Assignee: **Hoplite Armour LLC**, Naperville, IL (US)

(\*\*) Term: **14 Years**

(21) Appl. No.: **29/385,323**

(22) Filed: **Feb. 11, 2011**

(51) **LOC (9) Cl.** ..... **02-03**

(52) **U.S. Cl.** ..... **D29/106**

(58) **Field of Classification Search** ..... D29/102-107,  
D29/122; D2/865, 867-70, 878, 880, 889;  
2/171, 172, 209.13, 5, 6.1, 6.3-6.7, 410-412,  
2/414, 416-418, 421-425, 205  
See application file for complete search history.

(56) **References Cited**

**U.S. PATENT DOCUMENTS**

|           |     |         |                 |         |
|-----------|-----|---------|-----------------|---------|
| 3,373,443 | A   | 3/1968  | Marietta        |         |
| 3,984,875 | A   | 10/1976 | Farquharson     |         |
| 4,083,065 | A   | 4/1978  | Warncke         |         |
| 4,223,229 | A   | 9/1980  | Persico et al.  |         |
| 4,677,694 | A   | 7/1987  | Crow            |         |
| 4,885,806 | A   | 12/1989 | Heller          |         |
| 4,933,993 | A   | 6/1990  | McClelland      |         |
| 5,157,794 | A   | 10/1992 | Kamata          |         |
| D332,672  | S   | 1/1993  | Abate           |         |
| 5,263,204 | A   | 11/1993 | Butsch          |         |
| 5,267,353 | A   | 12/1993 | Milligan        |         |
| D348,751  | S * | 7/1994  | Bosack          | D29/107 |
| 5,384,914 | A   | 1/1995  | Caveness et al. |         |
| D366,539  | S   | 1/1996  | Lackovic        |         |
| 5,535,454 | A   | 7/1996  | Ryan            |         |
| 5,571,220 | A   | 11/1996 | Hall            |         |
| 5,657,492 | A   | 8/1997  | Esposito, Jr.   |         |

|           |     |         |                 |         |
|-----------|-----|---------|-----------------|---------|
| 5,661,849 | A   | 9/1997  | Hicks           |         |
| 5,666,670 | A   | 9/1997  | Ryan et al.     |         |
| 5,953,761 | A   | 9/1999  | Jurga et al.    |         |
| 5,966,744 | A   | 10/1999 | Smith, Jr.      |         |
| 6,202,223 | B1  | 3/2001  | Chartrand       |         |
| D448,528  | S   | 9/2001  | Fujimoto et al. |         |
| 6,584,614 | B2  | 7/2003  | Hogg            |         |
| 6,708,339 | B1  | 3/2004  | Smith, Jr.      |         |
| D497,039  | S * | 10/2004 | Dehaan et al.   | D29/108 |
| D498,882  | S * | 11/2004 | Yi              | D29/107 |
| 6,983,487 | B2  | 1/2006  | Rickon          |         |
| D526,092  | S * | 8/2006  | Egger et al.    | D29/107 |
| D536,833  | S * | 2/2007  | Broersma        | D29/107 |
| D548,893  | S   | 8/2007  | Hedge et al.    |         |
| D549,883  | S * | 8/2007  | Dion            | D29/106 |
| D563,057  | S * | 2/2008  | Jourde et al.   | D29/122 |

(Continued)

*Primary Examiner* — Rosemary K Tarcza

(74) *Attorney, Agent, or Firm* — Cook Alex Ltd

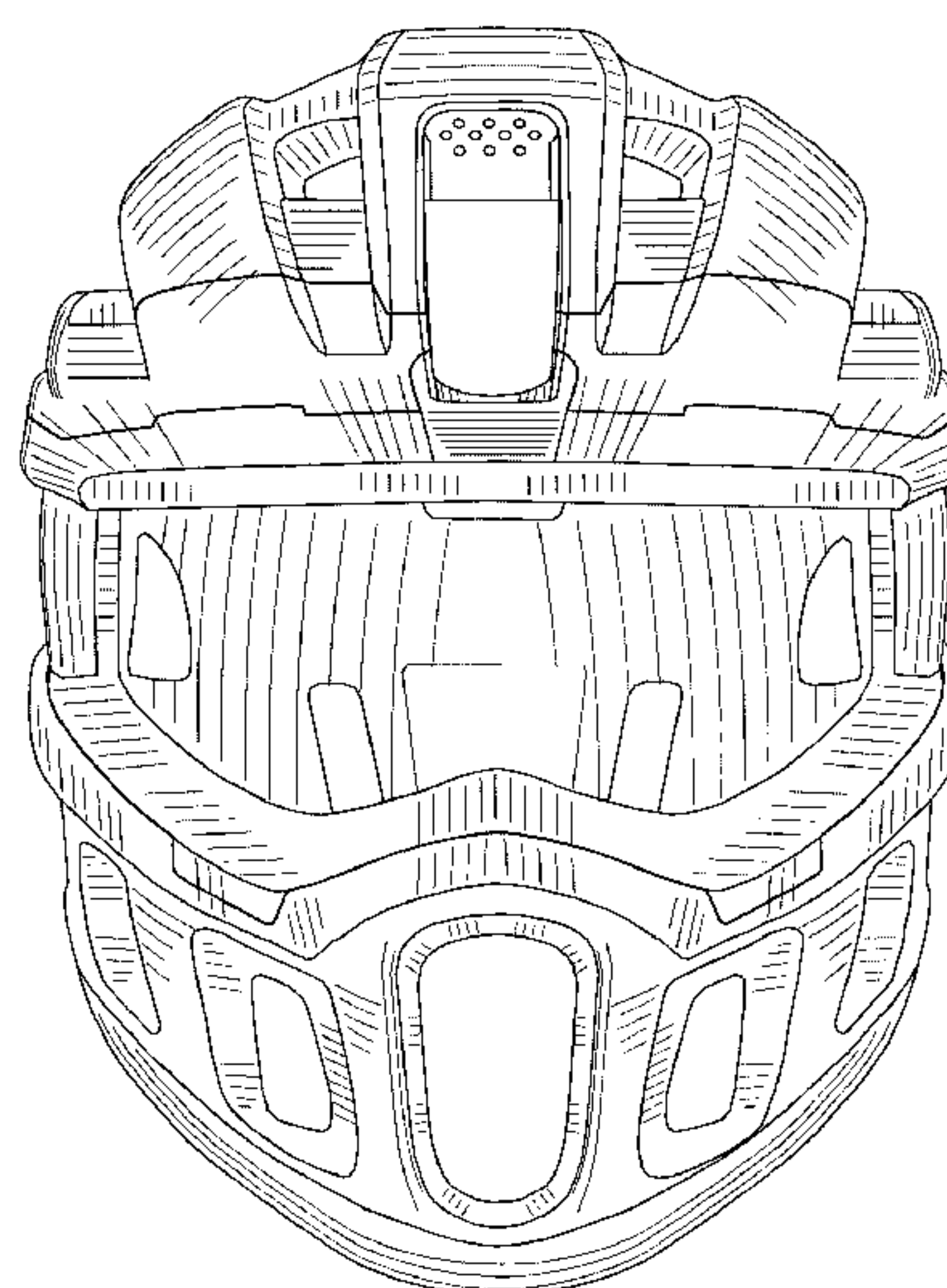
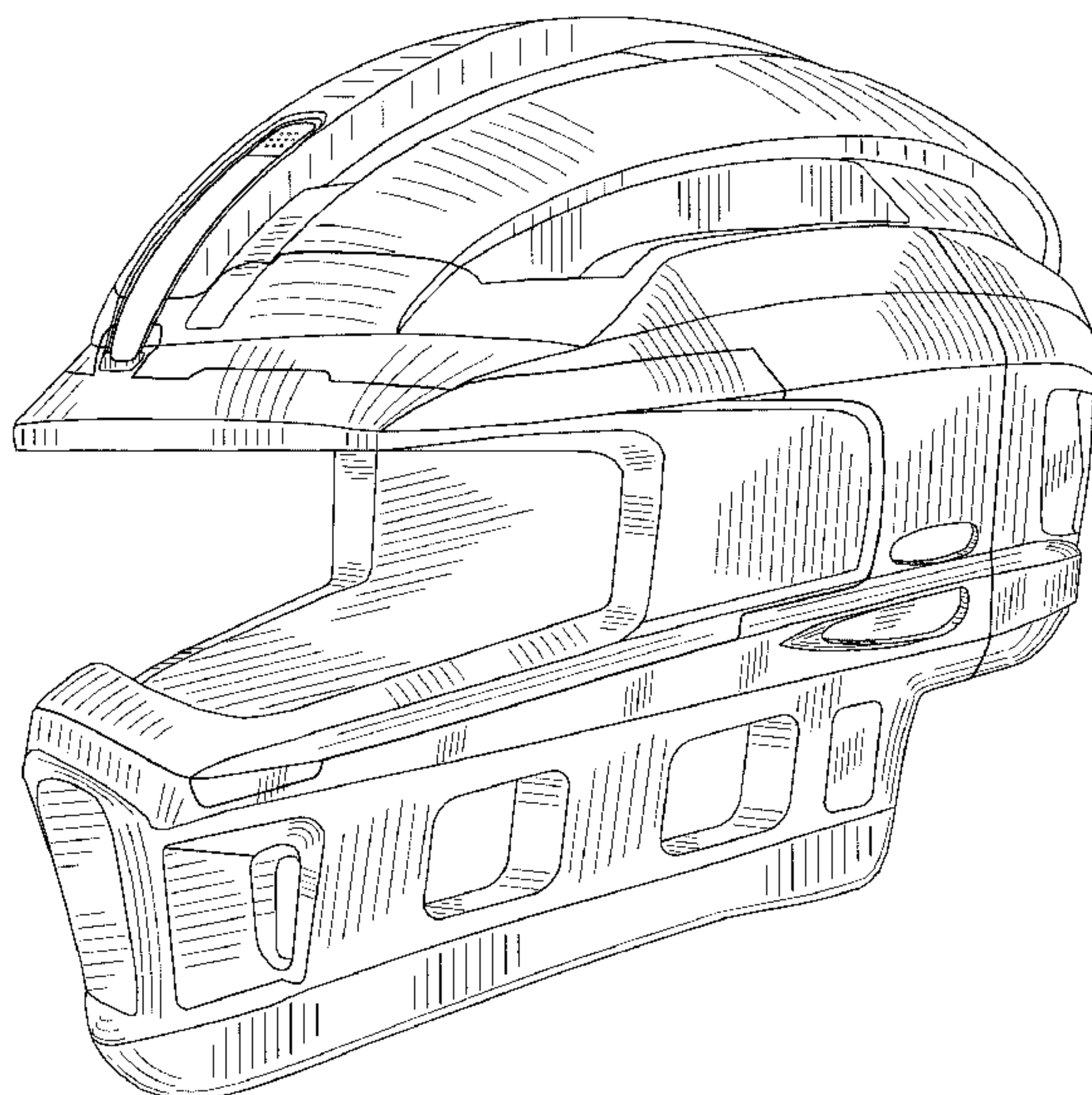
(57) **CLAIM**

The ornamental design for a protective headpiece, as shown and described.

**DESCRIPTION**

FIG. 1 is a perspective view of one embodiment of a protective headpiece;  
FIG. 2 is a front elevation view of the protective headpiece of FIG. 1;  
FIG. 3 is a rear elevation view the protective headpiece of FIG. 1;  
FIG. 4 is a right side elevation view of the protective headpiece of FIG. 1;  
FIG. 5 is a left side elevation view of the protective headpiece of FIG. 1;  
FIG. 6 is a top plan view of protective headpiece of FIG. 1; and,  
FIG. 7 is a bottom plan view of protective headpiece of FIG. 1.

**1 Claim, 7 Drawing Sheets**



# US D670,447 S

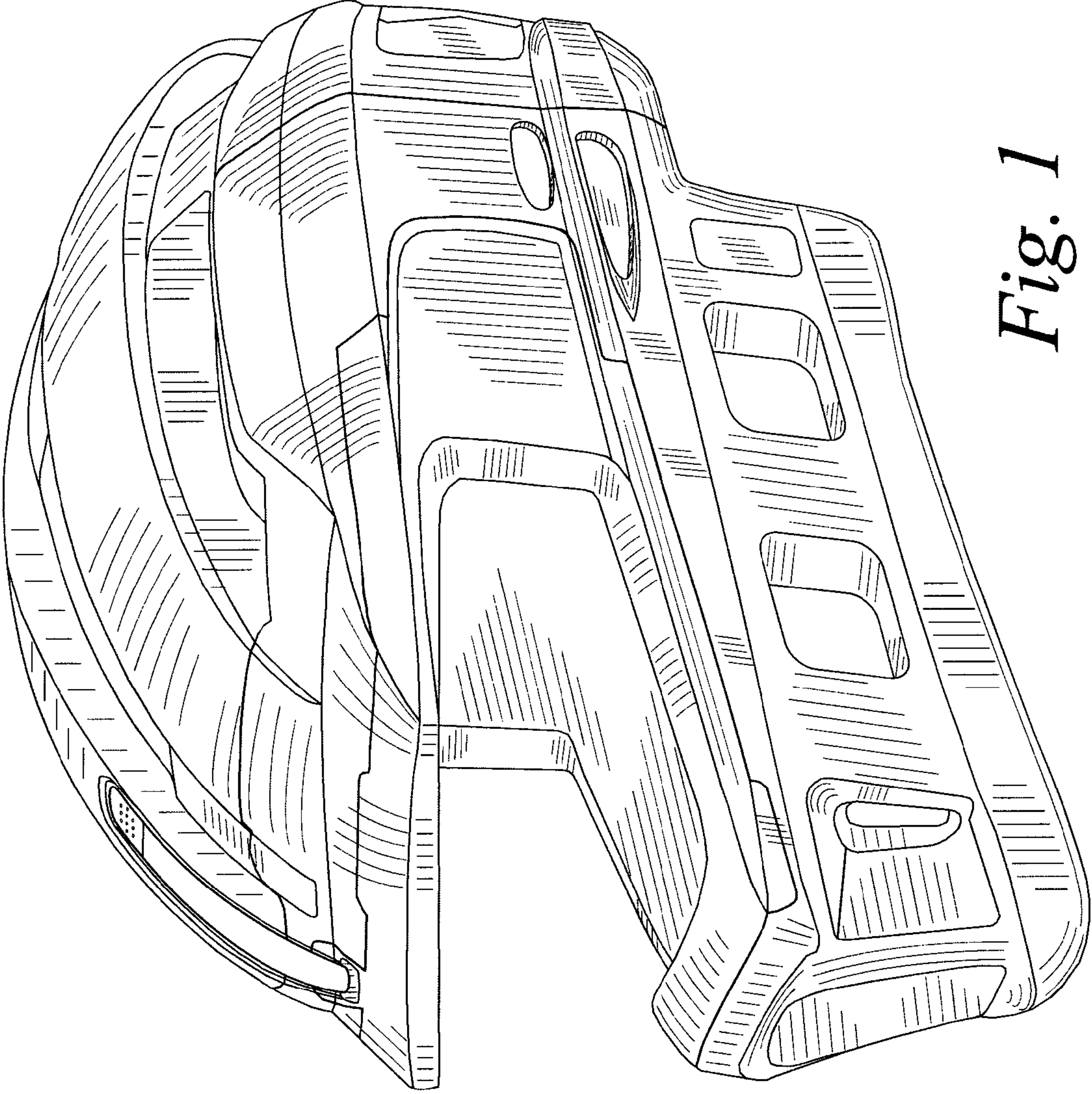
Page 2

---

## U.S. PATENT DOCUMENTS

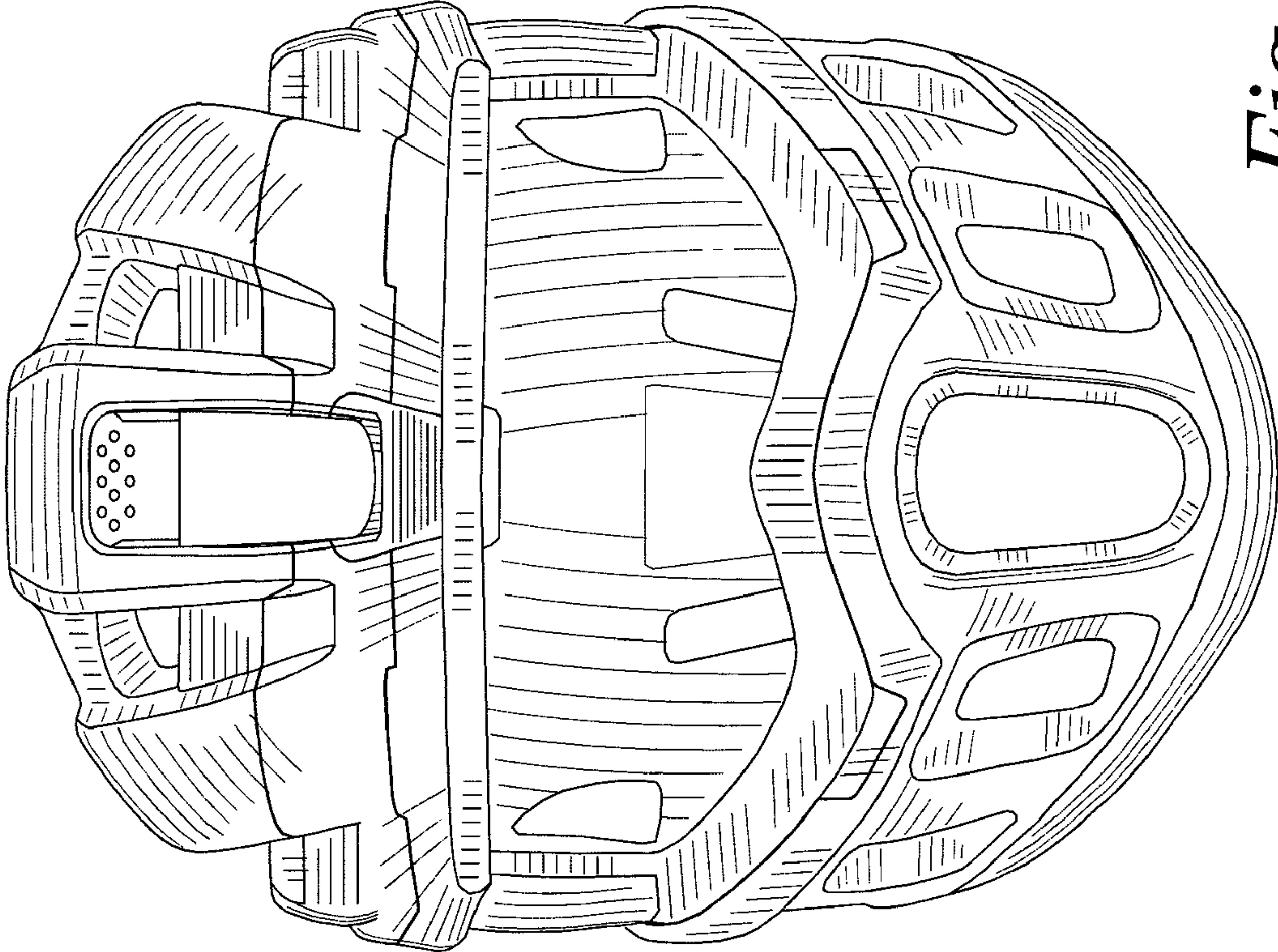
|           |    |   |         |             |       |         |              |    |   |        |              |       |         |
|-----------|----|---|---------|-------------|-------|---------|--------------|----|---|--------|--------------|-------|---------|
| D581,099  | S  | * | 11/2008 | Ahn et al.  | ..... | D29/107 | D636,536     | S  | * | 4/2011 | Lee          | ..... | D29/106 |
| 7,735,157 | B2 |   | 6/2010  | Ikeda       |       |         | D637,767     | S  | * | 5/2011 | Morin        | ..... | D29/122 |
| 7,814,577 | B2 |   | 10/2010 | Page et al. |       |         | D638,168     | S  | * | 5/2011 | Lebel et al. | ..... | D29/107 |
| D627,520  | S  | * | 11/2010 | Choi        | ..... | D29/107 | 2007/0011797 | A1 |   | 1/2007 | Ikeda        |       |         |
| D628,347  | S  | * | 11/2010 | Chen        | ..... | D29/106 |              |    |   |        |              |       |         |

\* cited by examiner

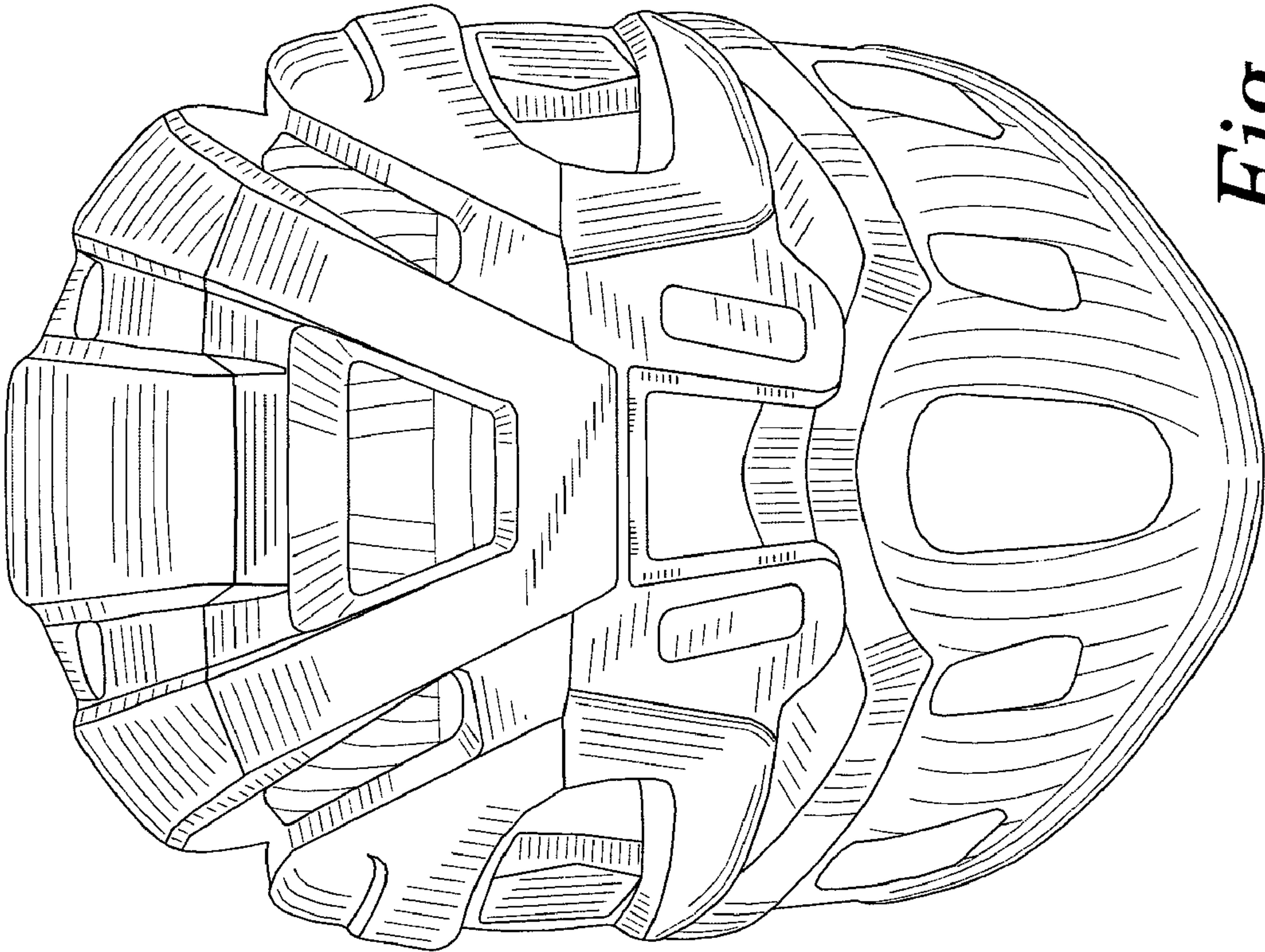


*Fig. 1*

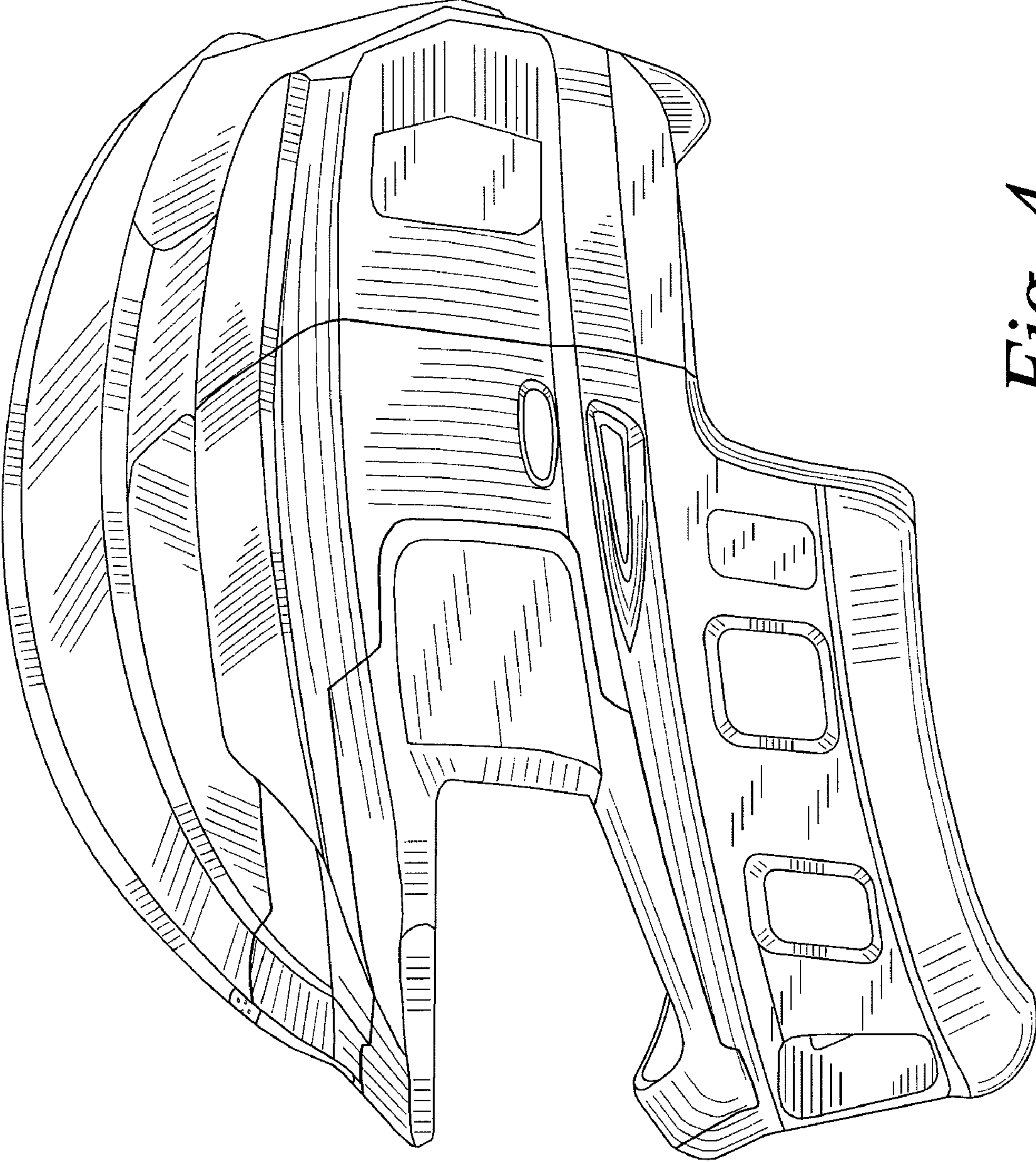




*Fig. 2*

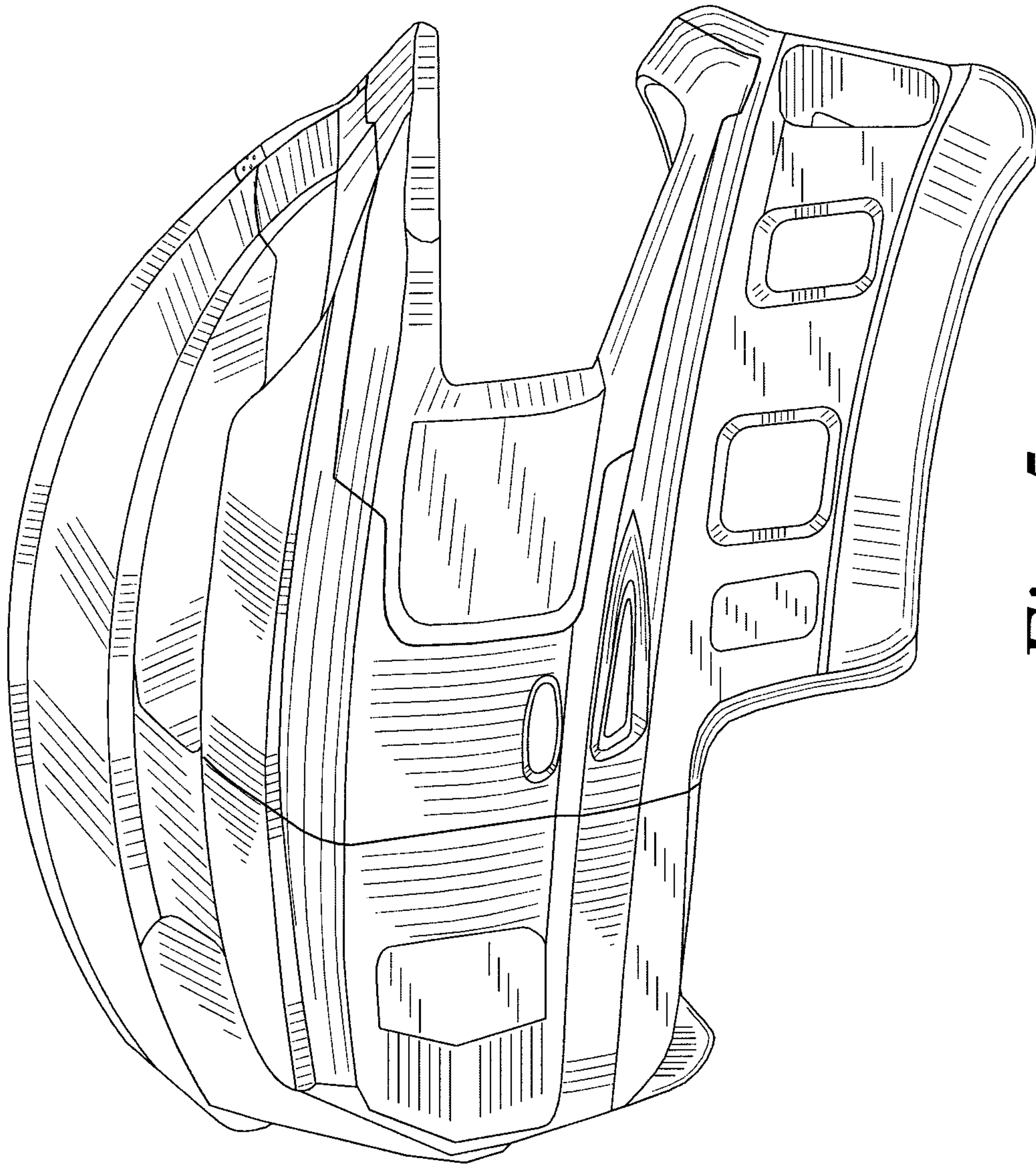


*Fig. 3*

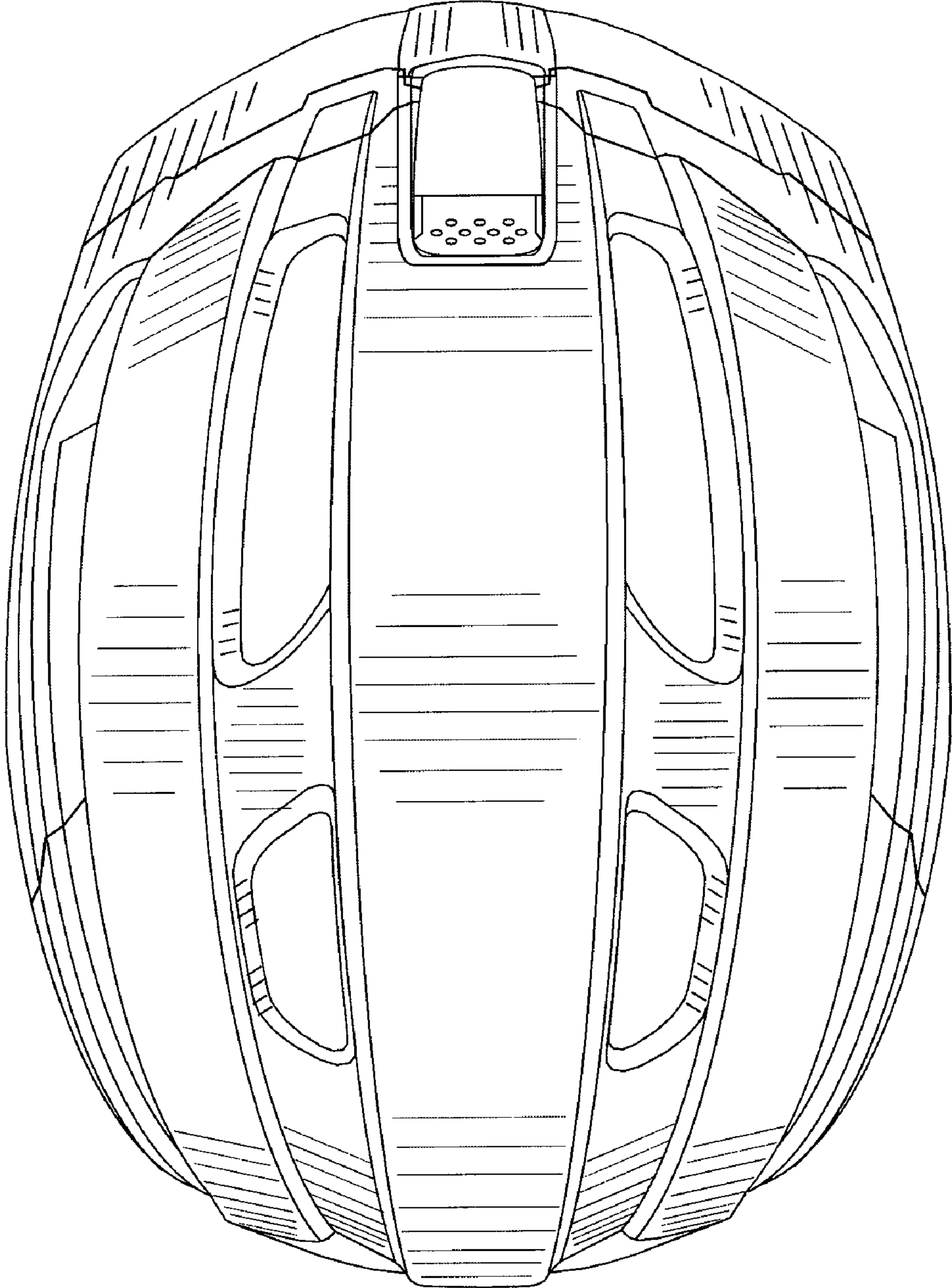


*Fig. 4*



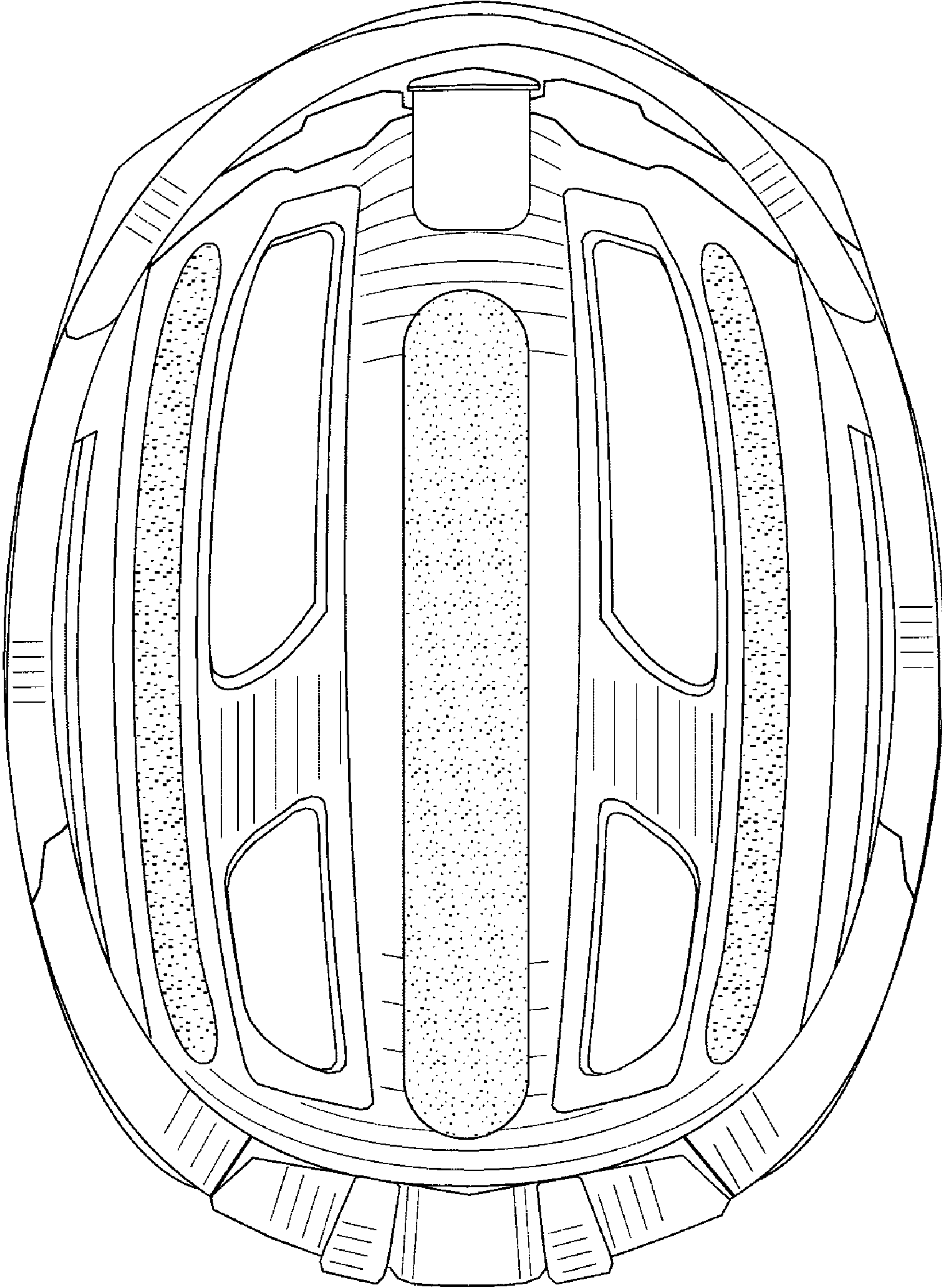


*Fig. 5*



*Fig. 6*





*Fig. 7*