



US00D670434S

(12) **United States Design Patent**
Warner

(10) **Patent No.:** **US D670,434 S**

(45) **Date of Patent:** **** Nov. 6, 2012**

(54) **TEETH SPIKES**

(75) Inventor: **Scott K. Warner**, Lehi, UT (US)

(73) Assignee: **Semco Plastic Company**, St. Louis, MO (US)

(**) Term: **14 Years**

(21) Appl. No.: **29/418,189**

(22) Filed: **Apr. 12, 2012**

(51) **LOC (9) Cl.** **28-03**

(52) **U.S. Cl.** **D28/65**

(58) **Field of Classification Search** D28/31,
D28/56, 65-68, 73; D24/152; 433/141,
433/146-147; 132/322-329

See application file for complete search history.

(56) **References Cited**

U.S. PATENT DOCUMENTS

D307,493 S *	4/1990	Cheng	D28/66
D335,934 S *	5/1993	Howard	D28/65
D367,545 S *	2/1996	Burke	D28/65
5,855,215 A *	1/1999	Clarke	132/321
6,044,848 A *	4/2000	Huang	132/321

6,213,132 B1 *	4/2001	Andrews	132/321
D548,886 S *	8/2007	Lee	D28/65
D610,747 S *	2/2010	Brownell	D28/65

* cited by examiner

Primary Examiner — Zenia Bennett

(74) *Attorney, Agent, or Firm* — Workman Nydegger

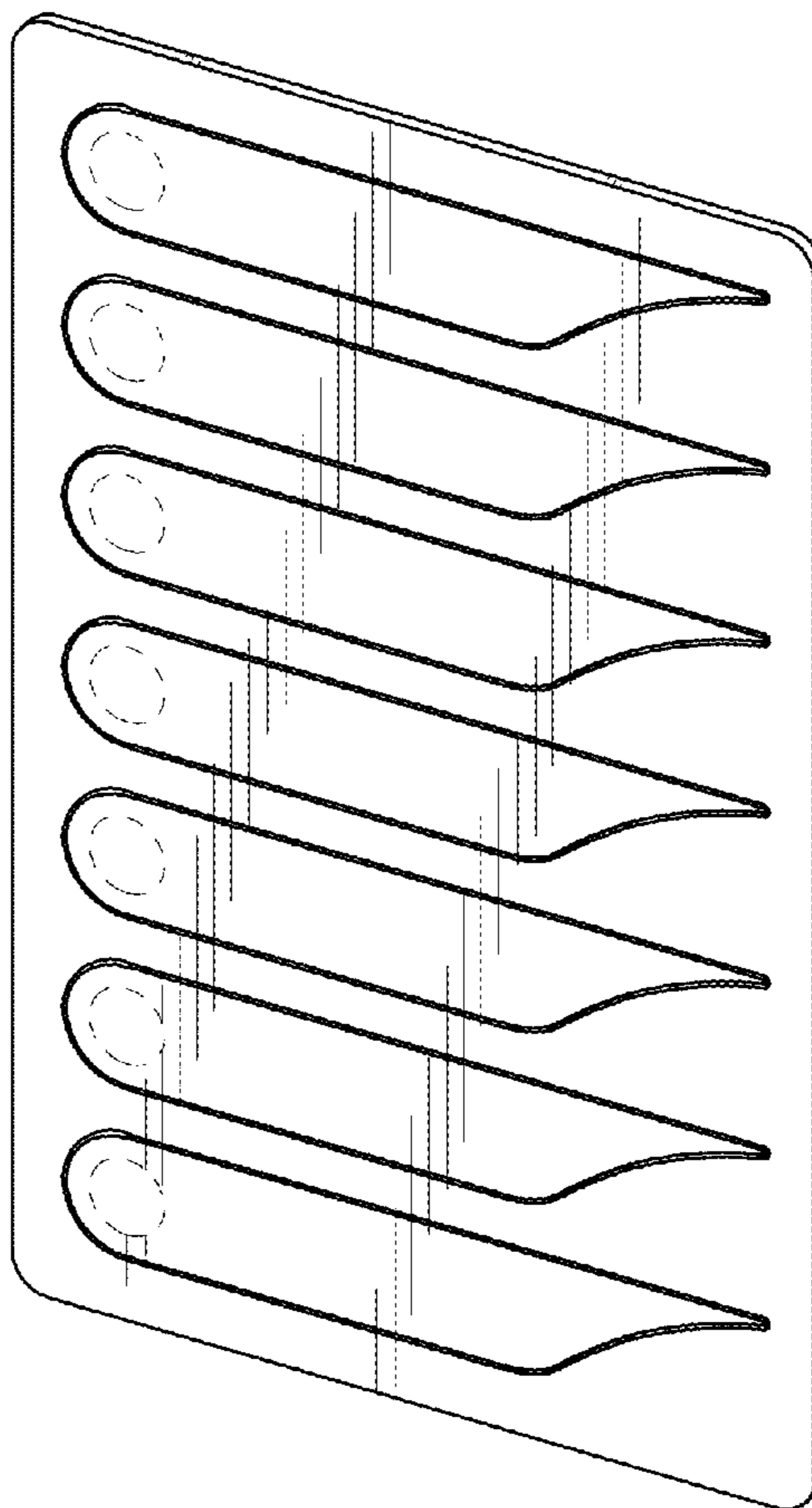
(57) **CLAIM**

The ornamental design for teeth spikes, as shown and described.

DESCRIPTION

FIG. 1 is perspective view of teeth spikes showing my new design in environmental use;
 FIG. 2 is a perspective view thereof;
 FIG. 3 is a front elevational view thereof;
 FIG. 4 is a right-side elevational view thereof, the left side being a mirror image;
 FIG. 5 is a top plan view thereof, the bottom being a mirror image;
 FIG. 6 is partial exploded view thereof; and,
 FIG. 7 is front elevational view thereof in environmental use.
 The broken lines showing environment in the drawings are included for illustrative purposes only and form no part of the claimed design.

1 Claim, 5 Drawing Sheets



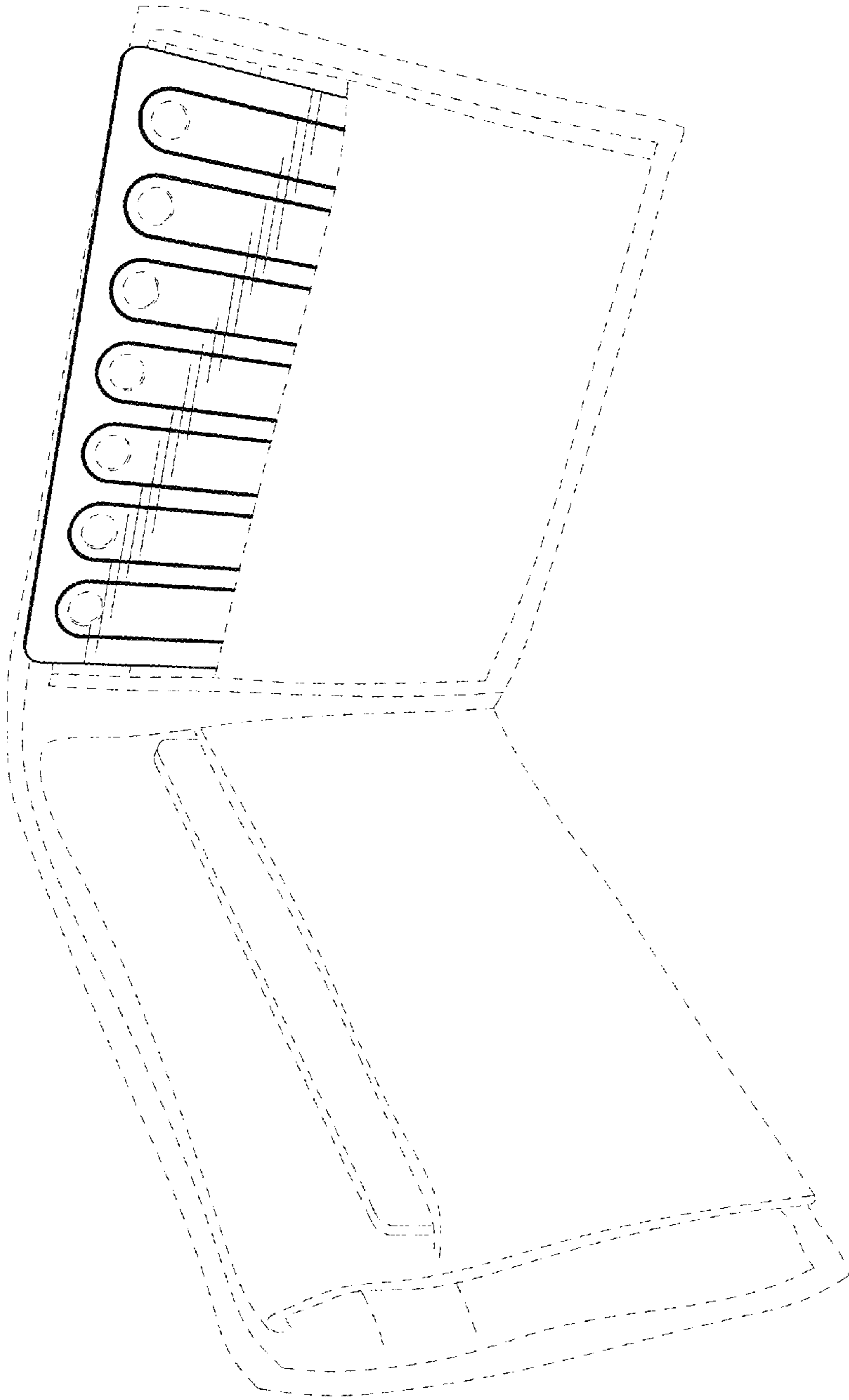


FIG. 1

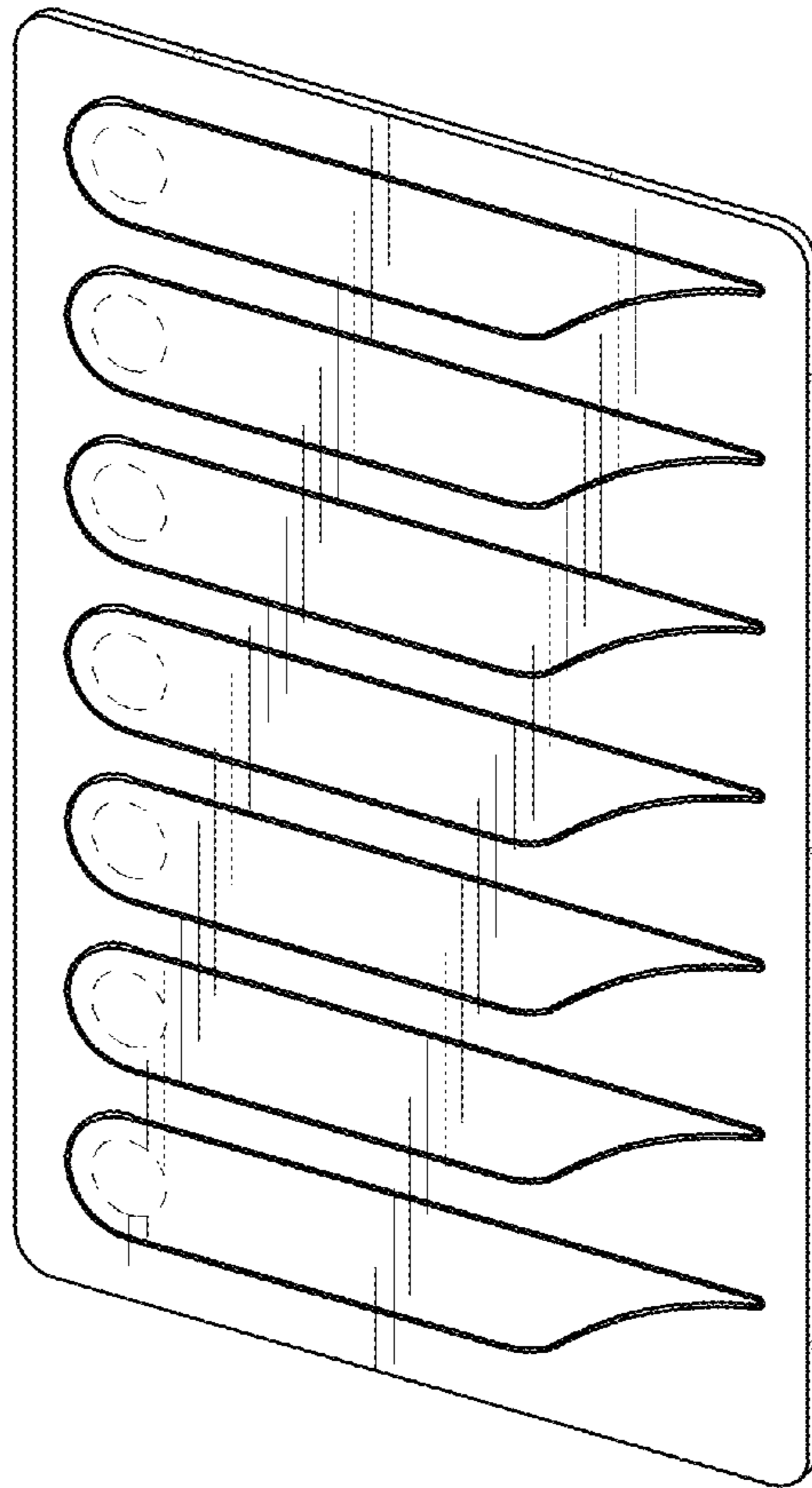


FIG. 2

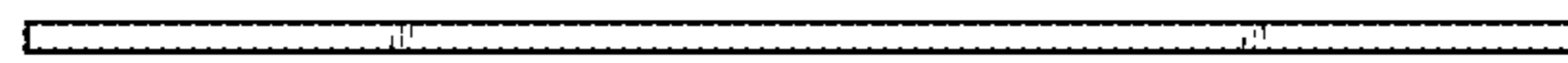


FIG. 5

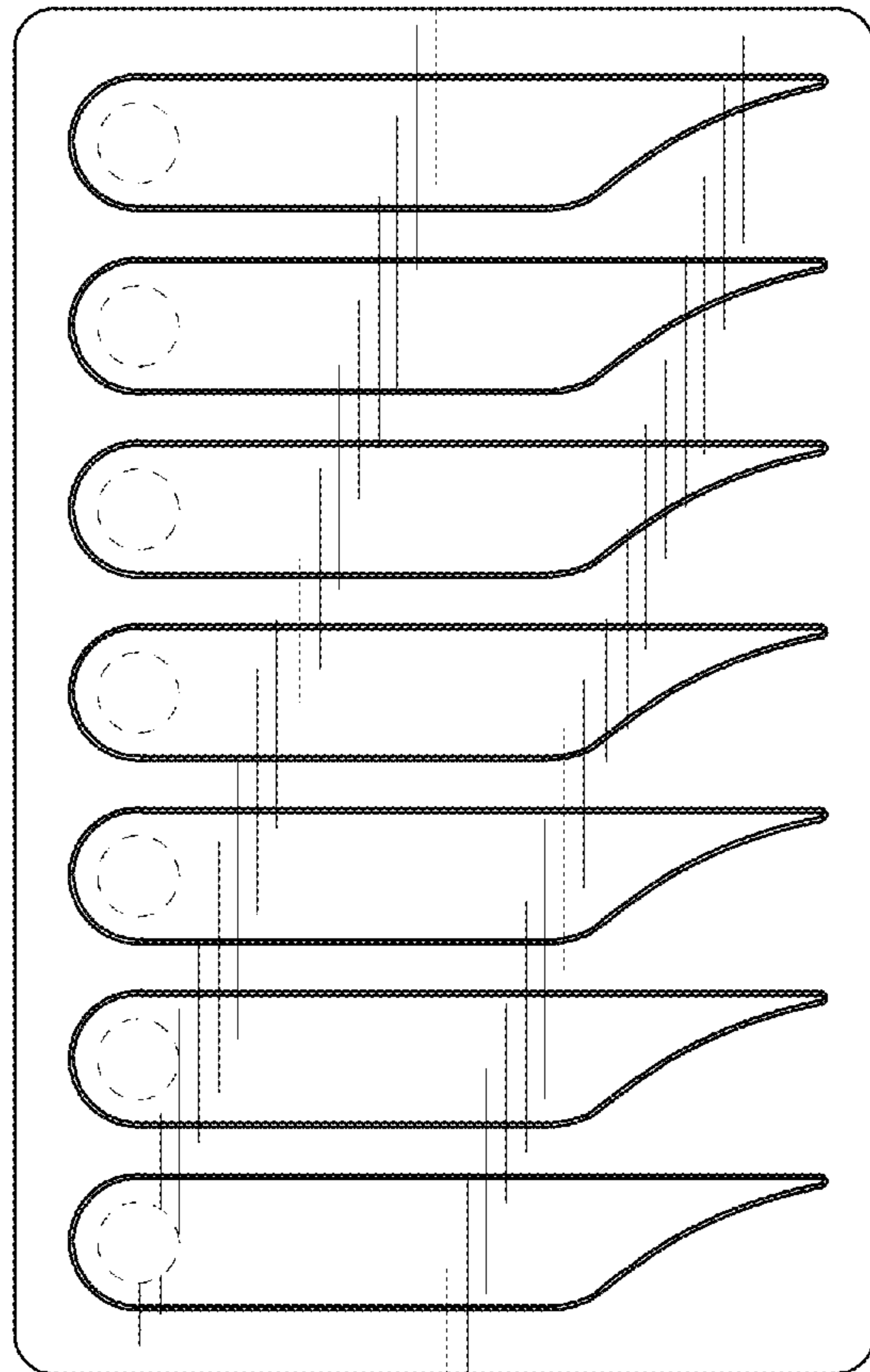


FIG. 3



FIG. 4

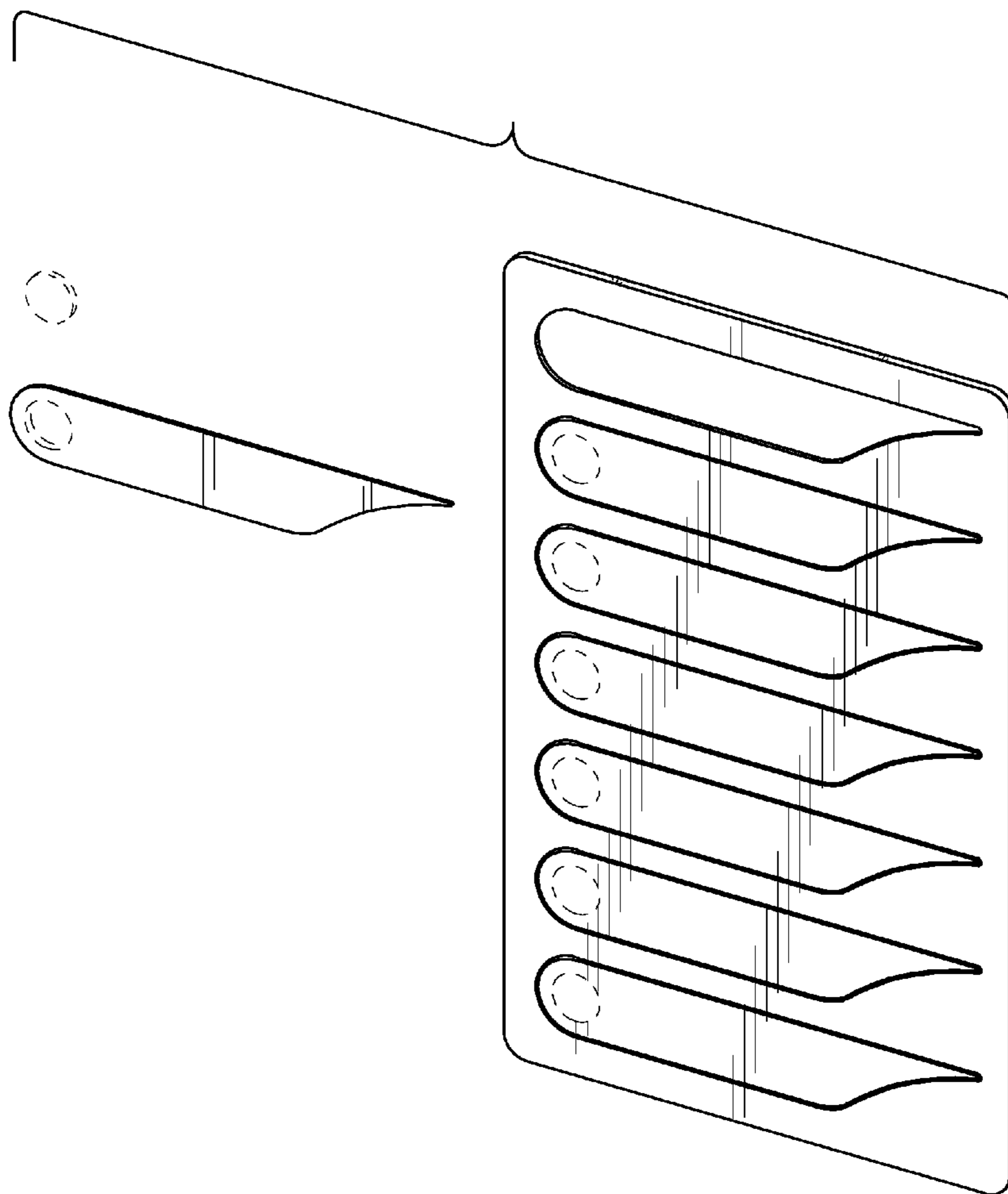


FIG. 6

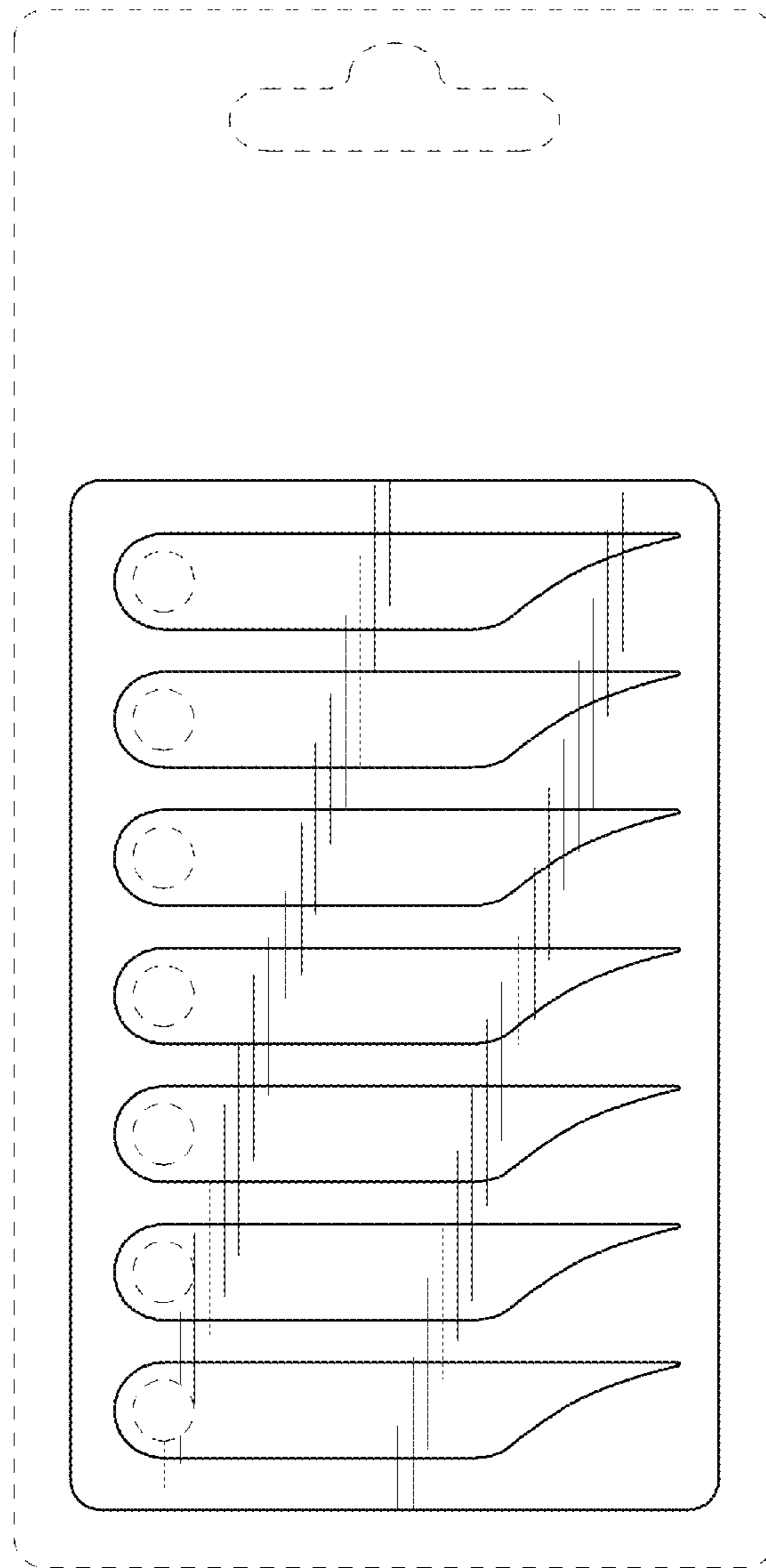


FIG. 7