



US00D670429S

(12) **United States Design Patent**
Myers et al.

(10) **Patent No.:** **US D670,429 S**
(45) **Date of Patent:** **** Nov. 6, 2012**

(54) **DECORATIVE LED ILLUMINATED TRIM**

(75) Inventors: **Gary L. Myers**, Monee, IL (US); **John D. Veleris**, Northbrook, IL (US); **Michael Aaron Cohen**, Buffalo Grove, IL (US); **Lisa Kay Koskela**, Grand Rapids, MI (US); **Alyssa M. Nuest**, Payne, OH (US)

(73) Assignee: **Belwith Products, LLC**, Grandville, MI (US)

(**) Term: **14 Years**

(21) Appl. No.: **29/418,870**

(22) Filed: **Apr. 23, 2012**

(51) **LOC (9) Cl.** **26-99**

(52) **U.S. Cl.** **D26/155**

(58) **Field of Classification Search** D26/155,
D26/60, 152, 154, 74, 75, 76, 77, 78, 113,
D26/118, 119, 120, 121, 122, 128, 138, 125,
D26/124, 126, 127, 85, 86, 88, 89, 90, 91,
D26/65, 64, 67, 68, 1, 2, 24, 141, 142, 145,
D26/144, 92, 93, 62, 63, 51, 56, 55, 58, 104,
D26/139, 140, 3; 362/101, 225, 634, 246,
362/326, 249.01-249.11, 220, 221, 224,
362/222, 223, 275, 276, 277, 271, 162, 450,
362/236; 211/10; 439/94, 95, 115, 110;
D8/380, 396, 394, 72, 354, 349, 373; D6/310,
D6/314, 470; D23/411; D11/90, 89, 132;
D19/96, 90, 77, 78, 75; D13/179, 180, 155

See application file for complete search history.

(56) **References Cited**

U.S. PATENT DOCUMENTS

D197,857 S * 3/1964 Harper D26/152

D197,858 S * 3/1964 Harper D26/152
D197,859 S * 3/1964 Harper D26/152
3,215,039 A * 11/1965 Gill, Jr. 359/514
D209,075 S * 10/1967 Wellhofer D26/152
D246,203 S * 10/1977 Harris D26/80
D437,962 S * 2/2001 Thomas, Jr. D26/87
D459,014 S * 6/2002 Chen D26/85
D468,480 S * 1/2003 Schuyler D26/155
D515,715 S * 2/2006 Egawa D26/1
D552,566 S * 10/2007 Moriyama D13/180
D579,599 S * 10/2008 Salatto-Rose D26/85
7,578,596 B2 * 8/2009 Martin 362/101
D613,445 S * 4/2010 Beghelli D26/74

* cited by examiner

Primary Examiner — Kevin Rudzinski

(74) Attorney, Agent, or Firm — Leydig, Voit & Mayer, Ltd

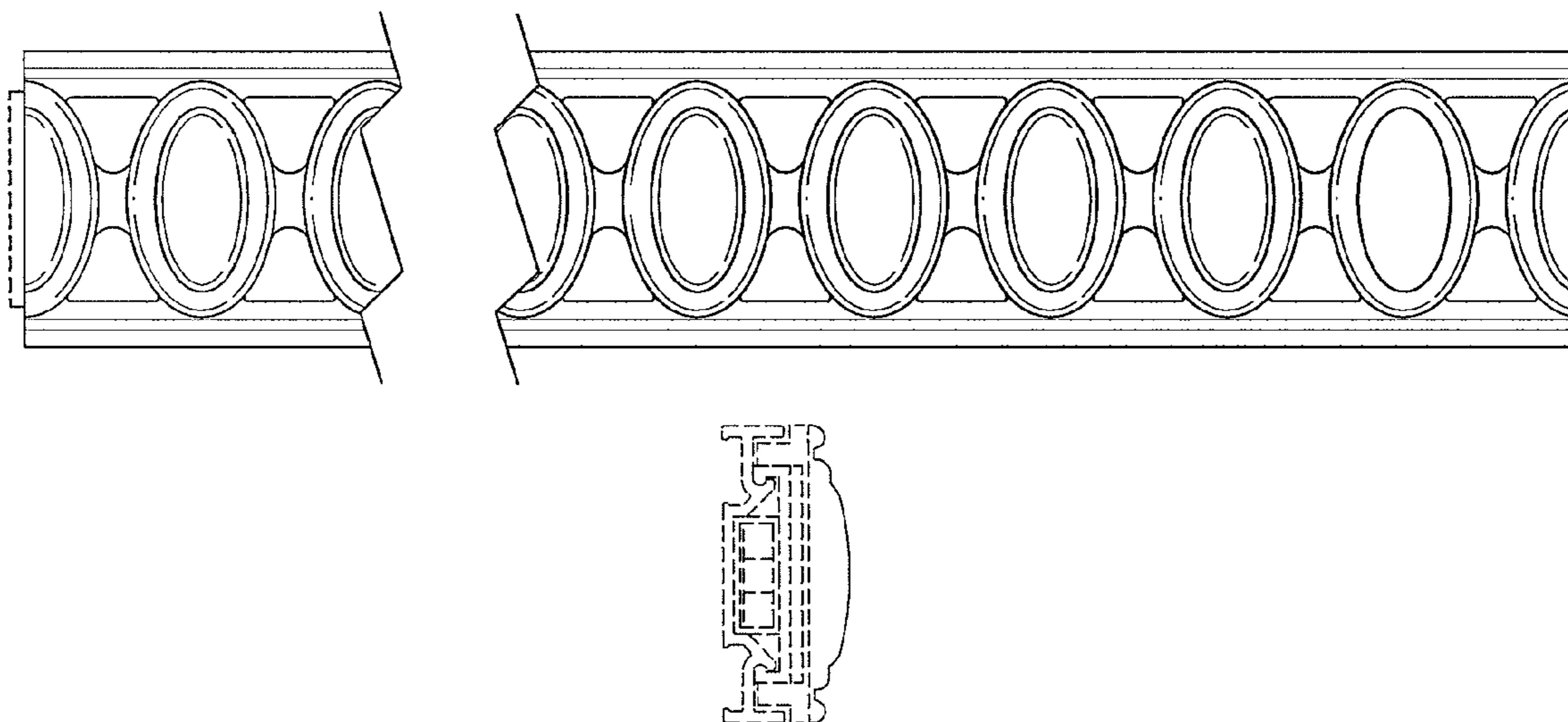
(57) **CLAIM**

The ornamental design for a decorative LED illuminated trim, as shown and described.

DESCRIPTION

FIG. 1 is a front elevational view of decorative LED illuminated trim showing our new design;
FIG. 2 is a rear elevational view of the decorative LED illuminated trim shown in FIG. 1;
FIG. 3 is a top plan view of the decorative LED illuminated trim shown in FIG. 1;
FIG. 4 is a bottom view of the decorative LED illuminated trim shown in FIG. 1;
FIG. 5 is a left elevational side view of the decorative LED illuminated trim shown in FIG. 1; and,
FIG. 6 is a right elevational side view of the decorative LED illuminated trim shown in FIG. 1.
The broken line showing portions of the decorative LED illumination trim form no part of the claimed design.

1 Claim, 1 Drawing Sheet



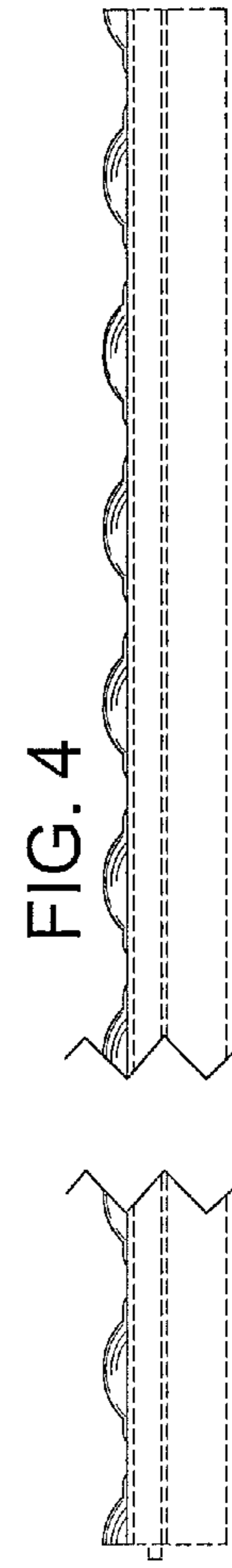
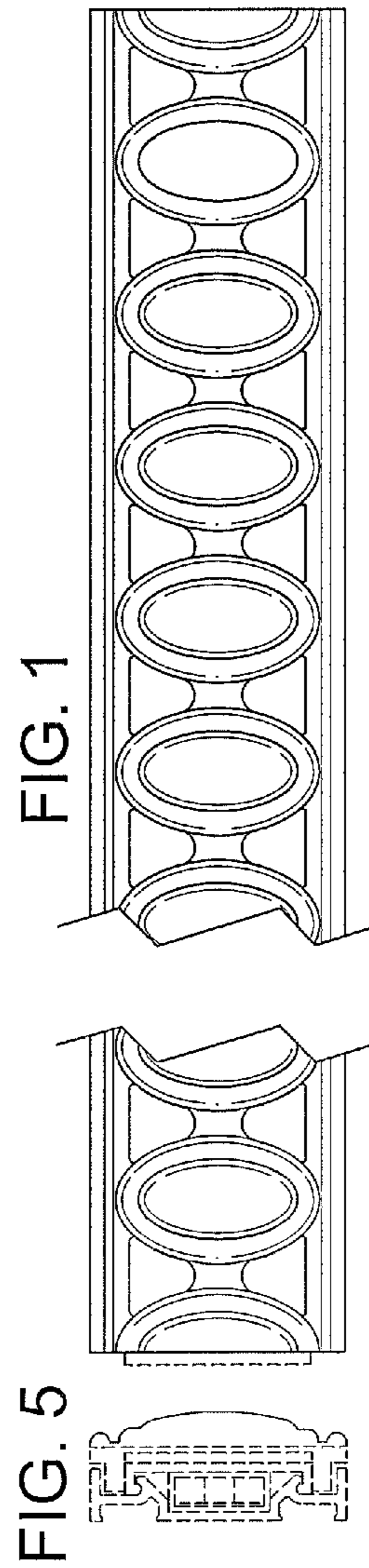
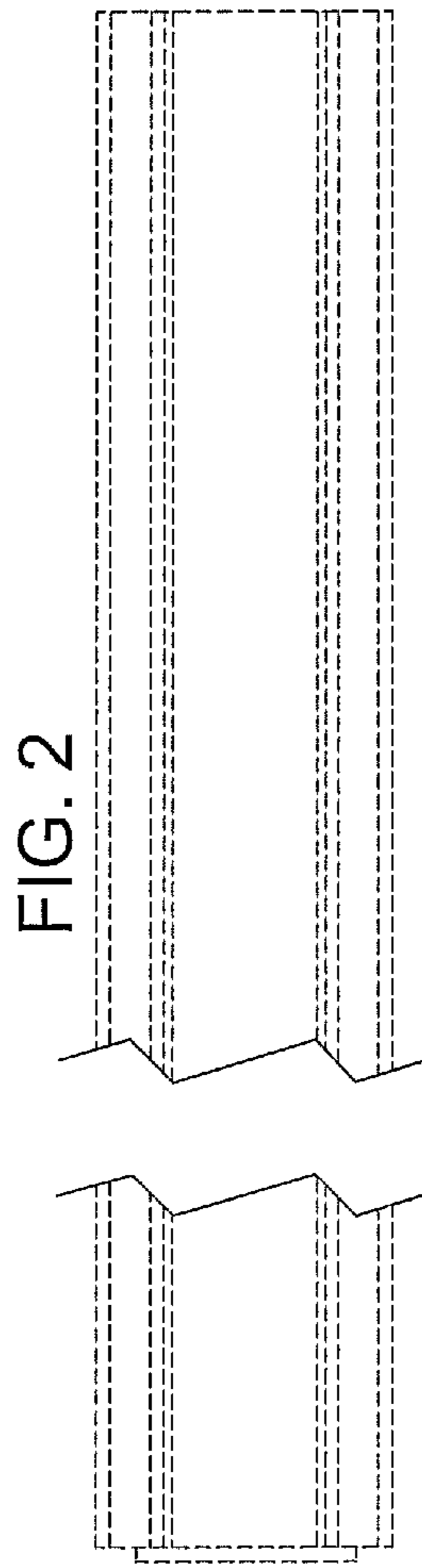
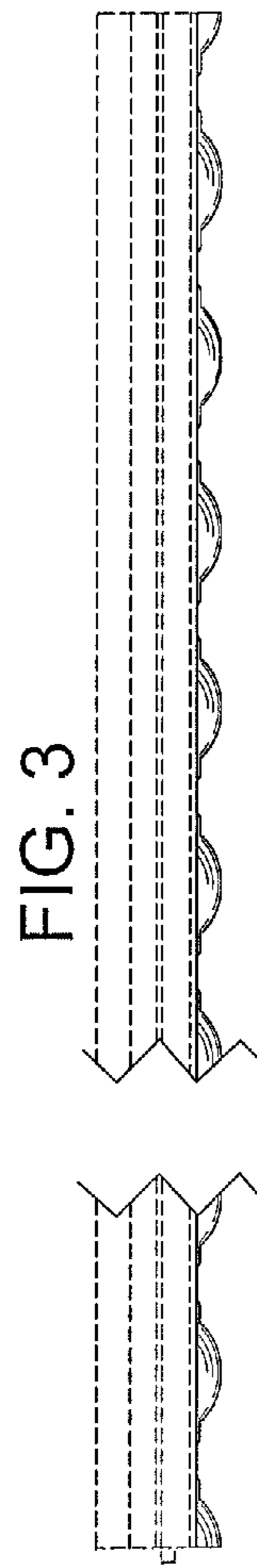


FIG. 3

FIG. 2

FIG. 1

FIG. 4

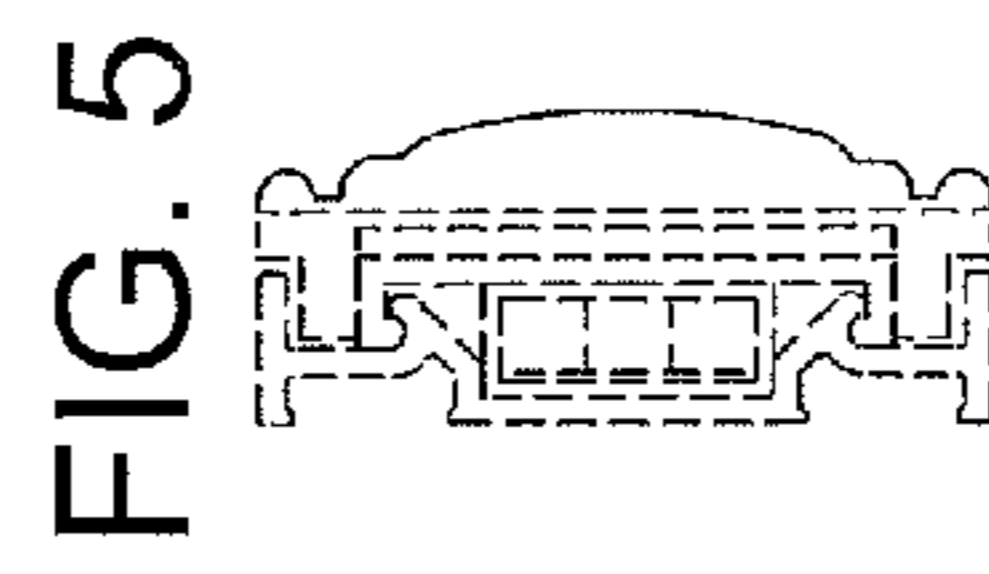
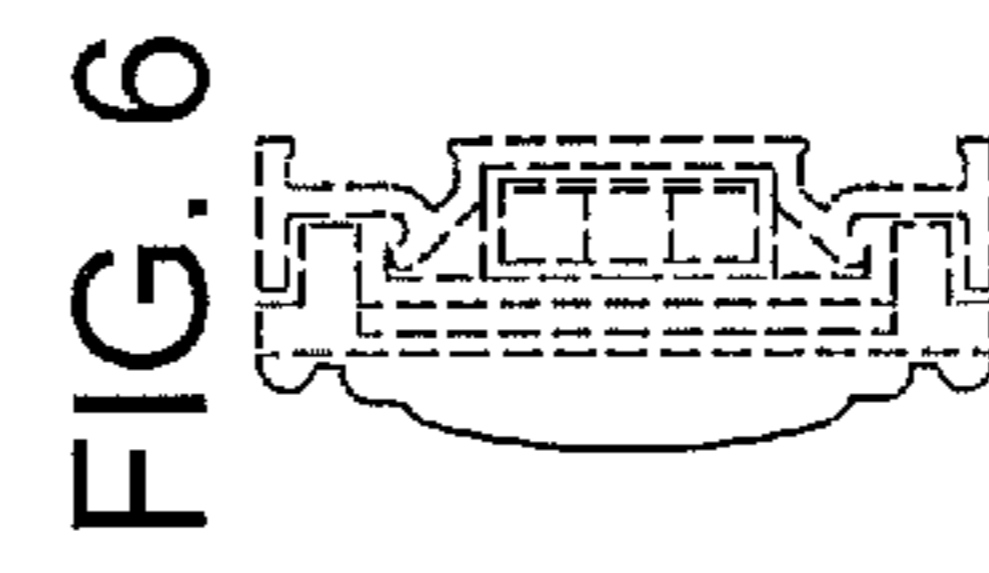


FIG. 6

FIG. 5