

US00D670428S

(12) **United States Design Patent**
Giblin

(10) **Patent No.:** **US D670,428 S**

(45) **Date of Patent:** **** Nov. 6, 2012**

(54) **LOGO LAMP**

(76) **Inventor:** **Brian G. Giblin**, West Barnstable, MA
(US)

(**) **Term:** **14 Years**

(21) **Appl. No.:** **29/413,871**

(22) **Filed:** **Feb. 22, 2012**

(51) **LOC (9) Cl.** **26-99**

(52) **U.S. Cl.** **D26/142**

(58) **Field of Classification Search** D26/155,
D26/60, 152, 154, 74, 75, 76, 77, 78, 113,
D26/118, 119, 120, 121, 122, 128, 138, 125,
D26/124, 126, 127, 85, 86, 88, 89, 90, 91,
D26/65, 64, 67, 68, 1, 2, 24, 141, 142, 145,
D26/144, 92, 93, 62, 63, 51, 56, 55, 58, 104,
D26/139, 140, 3; 362/101, 225, 634, 246,
362/326, 249.01-249.11, 220, 221, 224,
362/222, 223, 275, 276, 277, 271, 162, 450,
362/236; 211/10; 439/94, 95, 115, 110;
D8/380, 396, 394, 72, 354, 349, 373; D6/310,
D6/314, 470; D23/411; D11/90, 89, 132;
D19/96, 90, 77, 78, 75; D13/179, 180, 155
See application file for complete search history.

(56) **References Cited**

U.S. PATENT DOCUMENTS

| | | | | | | |
|-----------|---|---|---------|-----------------|-------|---------|
| D147,929 | S | * | 11/1947 | Rudnitzky | | D26/56 |
| 3,638,533 | A | * | 2/1972 | Sheridan et al. | | 91/241 |
| D260,503 | S | * | 9/1981 | Stangarone | | D11/132 |
| D345,024 | S | * | 3/1994 | Fox | | D26/58 |
| D352,176 | S | * | 11/1994 | McMillan | | D6/310 |
| D357,704 | S | * | 4/1995 | Wolff | | D19/90 |
| D375,916 | S | * | 11/1996 | Cotner | | D11/131 |

| | | | | | | |
|-----------|----|---|---------|------------------|-------|---------|
| D381,839 | S | * | 8/1997 | Dorigo | | D6/470 |
| D394,959 | S | * | 6/1998 | Kwan | | D6/314 |
| D409,246 | S | * | 5/1999 | Fereday et al. | | D19/96 |
| 6,042,904 | A | * | 3/2000 | Greenblat et al. | | 428/13 |
| D465,874 | S | * | 11/2002 | Garvin et al. | | D26/104 |
| 6,481,131 | B2 | * | 11/2002 | Gianotti et al. | | 40/546 |
| D480,828 | S | * | 10/2003 | Block | | D26/110 |
| D493,490 | S | * | 7/2004 | Vogel | | D20/19 |
| D501,889 | S | * | 2/2005 | Harris et al. | | D20/39 |
| D580,590 | S | * | 11/2008 | Cytrynowicz | | D26/142 |
| D581,681 | S | * | 12/2008 | Goolrick | | D6/314 |
| D609,849 | S | * | 2/2010 | Chiu | | D26/93 |
| D609,850 | S | * | 2/2010 | Chiu | | D26/93 |
| D610,302 | S | * | 2/2010 | Chiu | | D26/93 |

* cited by examiner

Primary Examiner — Kevin Rudzinski
(74) *Attorney, Agent, or Firm* — John P. McGonagle

(57) **CLAIM**

The ornamental design for a logo lamp, as shown and described.

DESCRIPTION

FIG. 1 is a front perspective view of a logo lamp embodying my new design, wherein views of a lamp shade, central lighting tubing and logo patch are shown in broken lines for the purpose of illustrating environment and form no part of the claimed design;

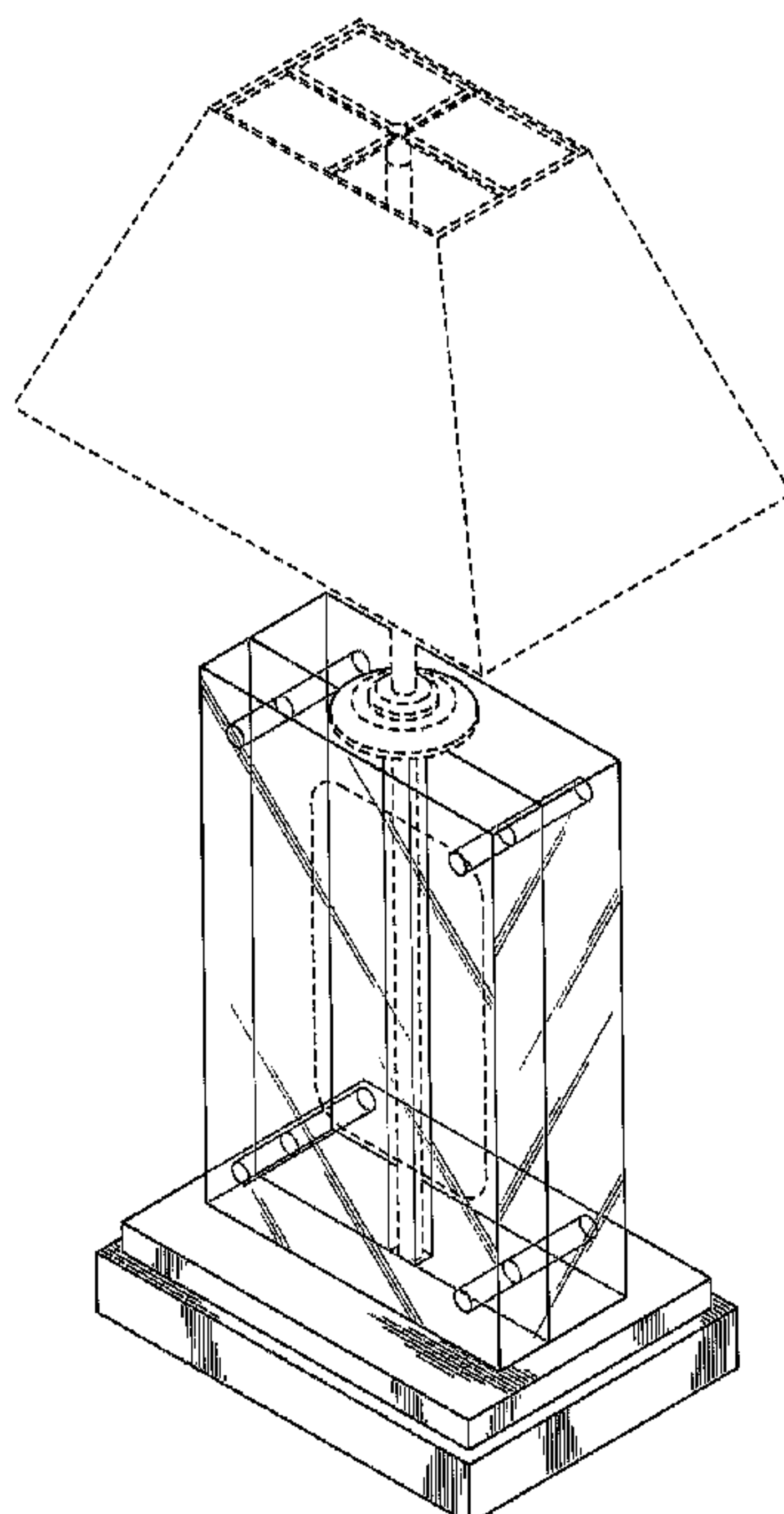
FIG. 2 is a front view thereof, the rear side being a mirror image thereof;

FIG. 3 is a side view, the opposite side being a mirror image thereof;

FIG. 4 is a top view thereof; and,

FIG. 5 is a bottom view thereof.

1 Claim, 2 Drawing Sheets



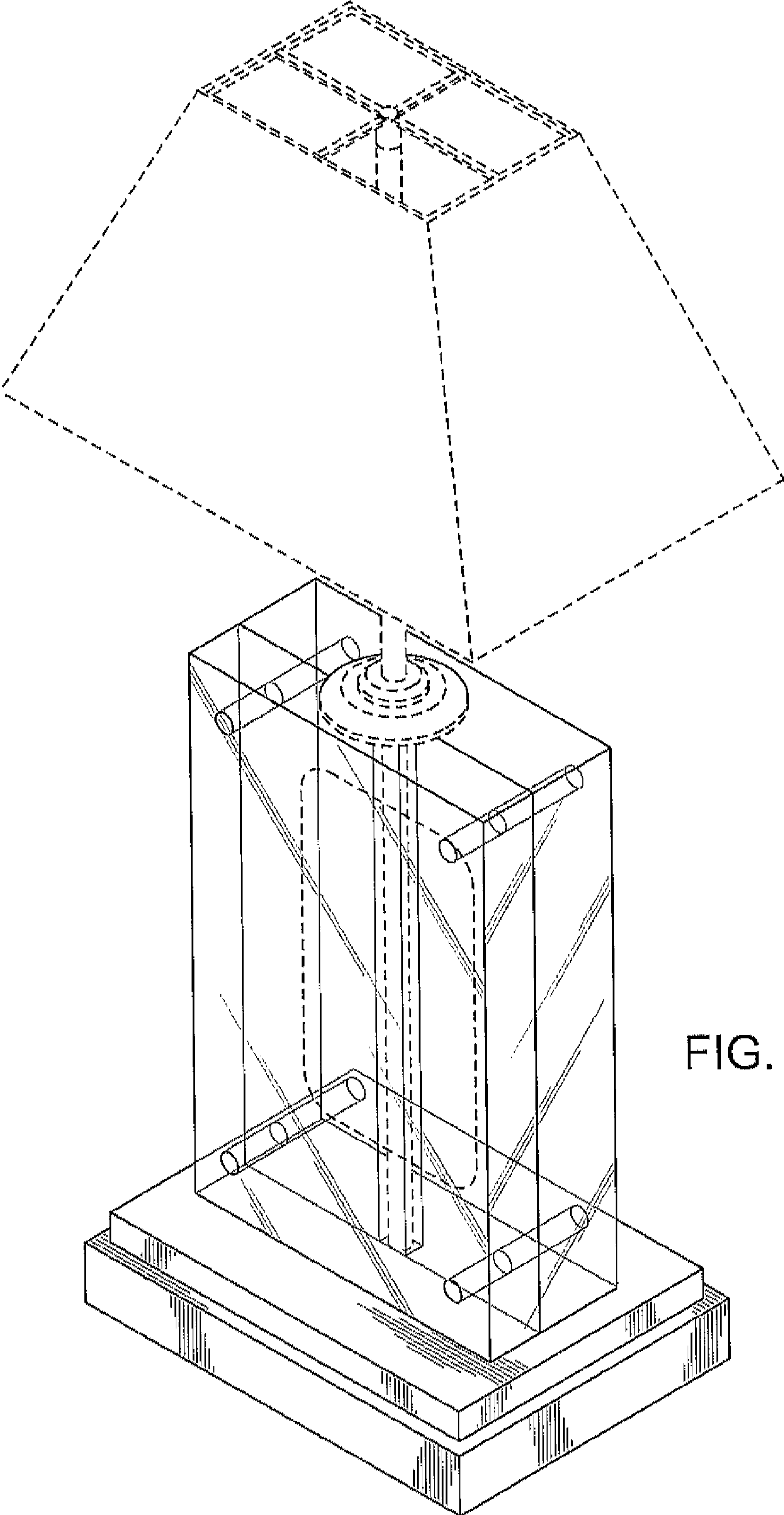


FIG. 1

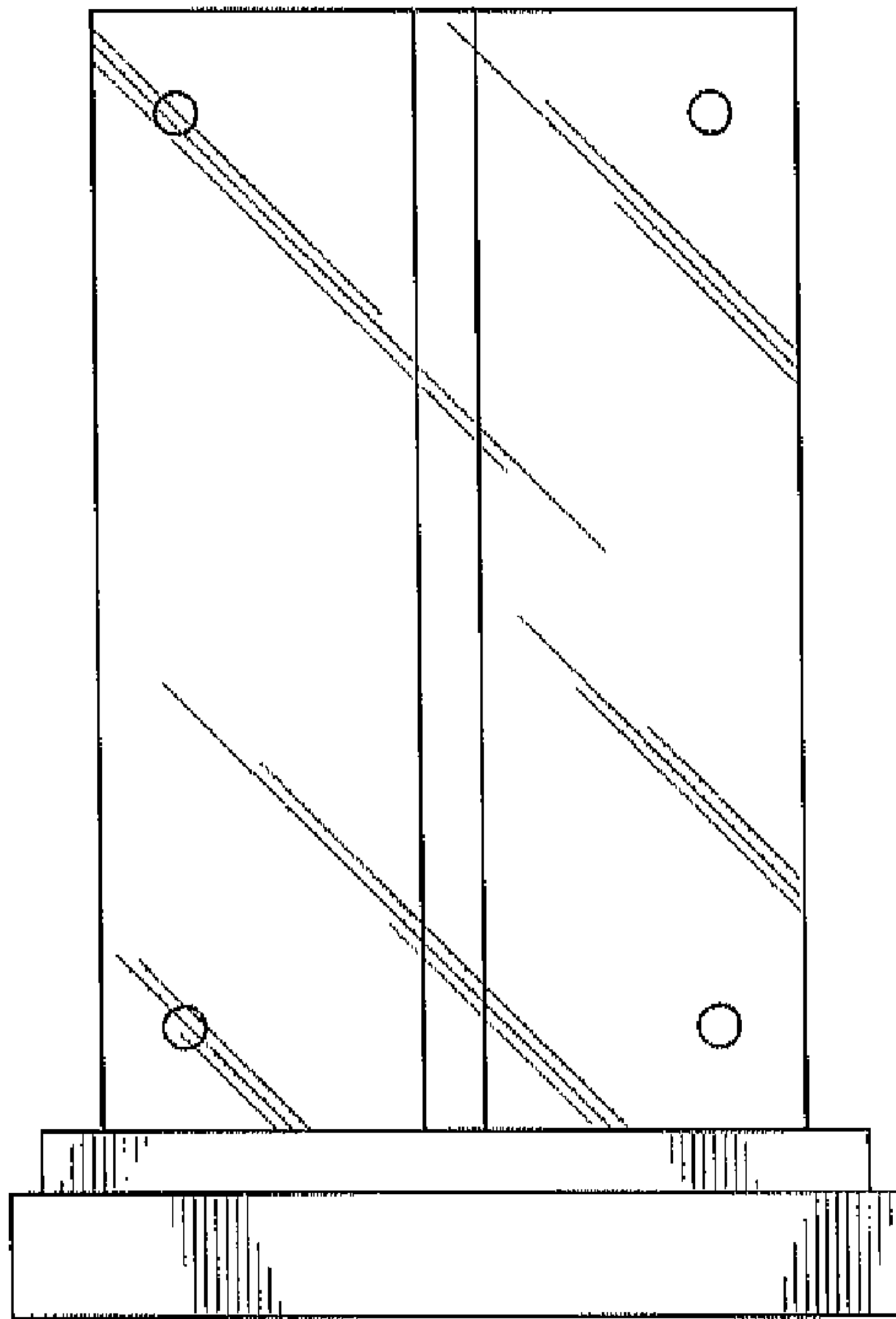


FIG. 2

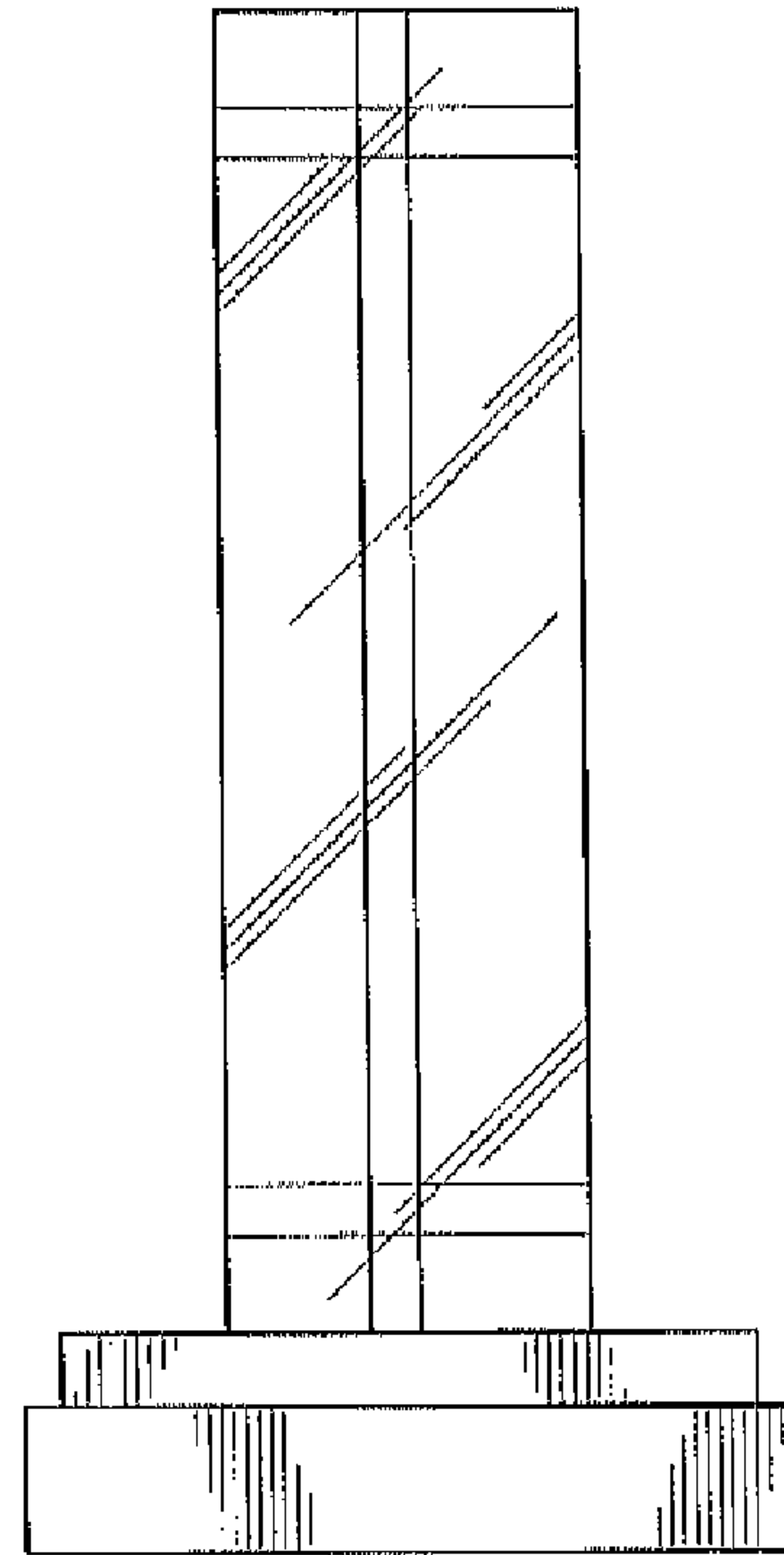


FIG. 3

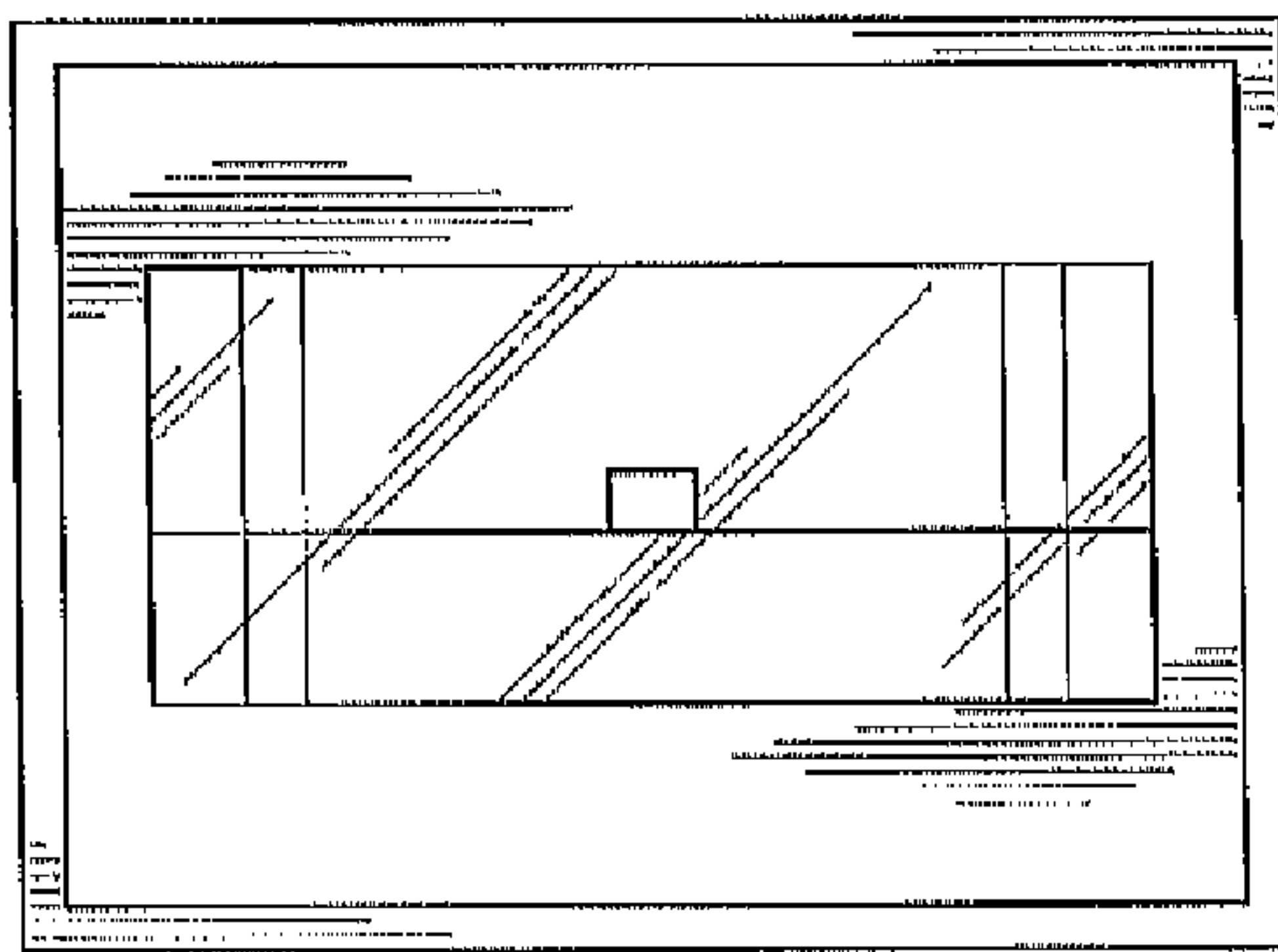


FIG. 4

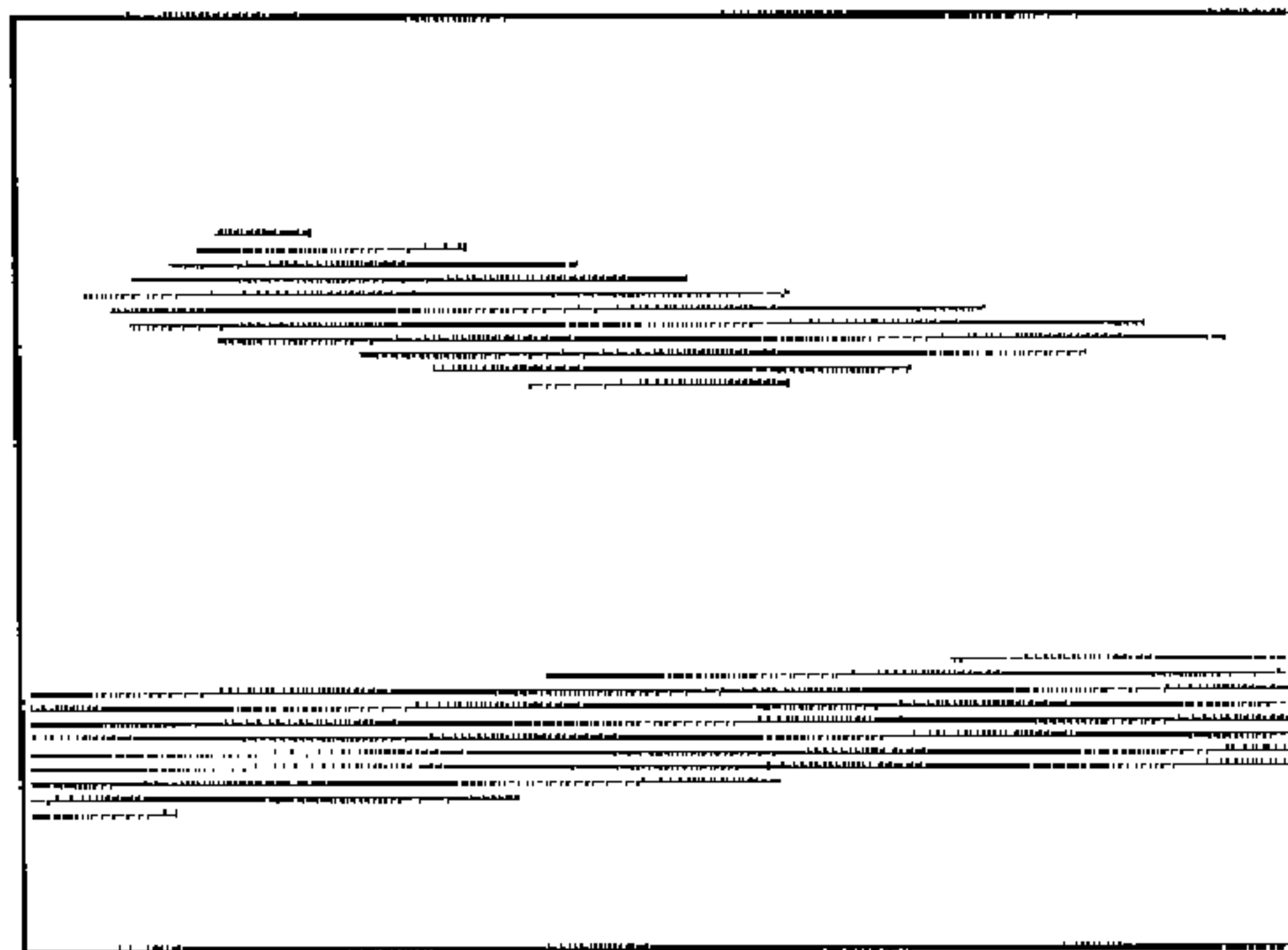


FIG. 5