



US00D670427S

(12) **United States Design Patent**
Henderson et al.

(10) **Patent No.:** **US D670,427 S**

(45) **Date of Patent:** **** Nov. 6, 2012**

(54) **LUMINAIRE**

(75) Inventors: **David Henderson**, Indialantic, FL (US);
Zach Gibler, Granville, OH (US);
Kenneth Marion Bowen, Indian
Harbour Beach, FL (US); **Stephanie**
Fulton Harris, Granville, OH (US); **Jay**
F. Perkins, Pickerington, OH (US);
Mohan Bokka Rao, Indialantic, FL
(US); **Ryan Robert Berger**, Columbus,
OH (US); **Michael T. Kopczewski**,
Grove City, OH (US)

(73) Assignee: **Lighting Science Group Corporation**,
Satellite Beach, FL (US)

(**) Term: **14 Years**

(21) Appl. No.: **29/411,537**

(22) Filed: **Jan. 23, 2012**

Related U.S. Application Data

(62) Division of application No. 29/361,232, filed on May
7, 2010, now Pat. No. Des. 656,660.

(51) **LOC (9) Cl.** **26-99**

(52) **U.S. Cl.** **D26/118**

(58) **Field of Classification Search** D26/88,
D26/91, 85, 86, 72, 74, 76, 118, 90, 134,
D26/73, 75, 119, 120, 121, 122, 113, 84,
D26/128, 129, 2, 125, 78, 77, 138, 26, 89,
D26/124, 130, 9, 10, 11, 24, 25, 63, 64, 65,
D26/69, 127; 362/311.13, 249.01–249.12,
362/373, 362, 326, 247, 342, 220, 147, 148,
362/282, 339, 620, 223, 376, 219; D23/412,
D23/385, 388; 349/64, 62, 63, 65; D16/101;
D13/179, 180

See application file for complete search history.

(56) **References Cited**

U.S. PATENT DOCUMENTS

D153,809 S 5/1949 Kirk
D183,563 S * 9/1958 Elmer D26/71
D192,260 S * 2/1962 Fahey D26/71

(Continued)

Primary Examiner — Kevin Rudzinski
(74) *Attorney, Agent, or Firm* — Cantor Colburn LLP

(57) **CLAIM**

We claim, the ornamental design for a luminaire, as shown
and described.

DESCRIPTION

FIG. 1 is a top perspective view of the invention;
FIG. 2 is a bottom perspective view of the invention;
FIG. 3 is a side view of the invention, with the opposite side
being a mirror image thereof;
FIG. 4 is a front view of the invention, the rear view being a
mirror image thereof;
FIG. 5 is a top view of the invention; and,
FIG. 6 is a bottom view of the invention.

The dash-dot lines shown in FIG. 2 and FIG. 6 indicate that
the lens of the claimed luminaire may have facets, lenslets or
other treatments. The dash-dot lines form no part of the
claimed design. The degree of transparency and/or opaque-
ness forms no part of the claimed design.

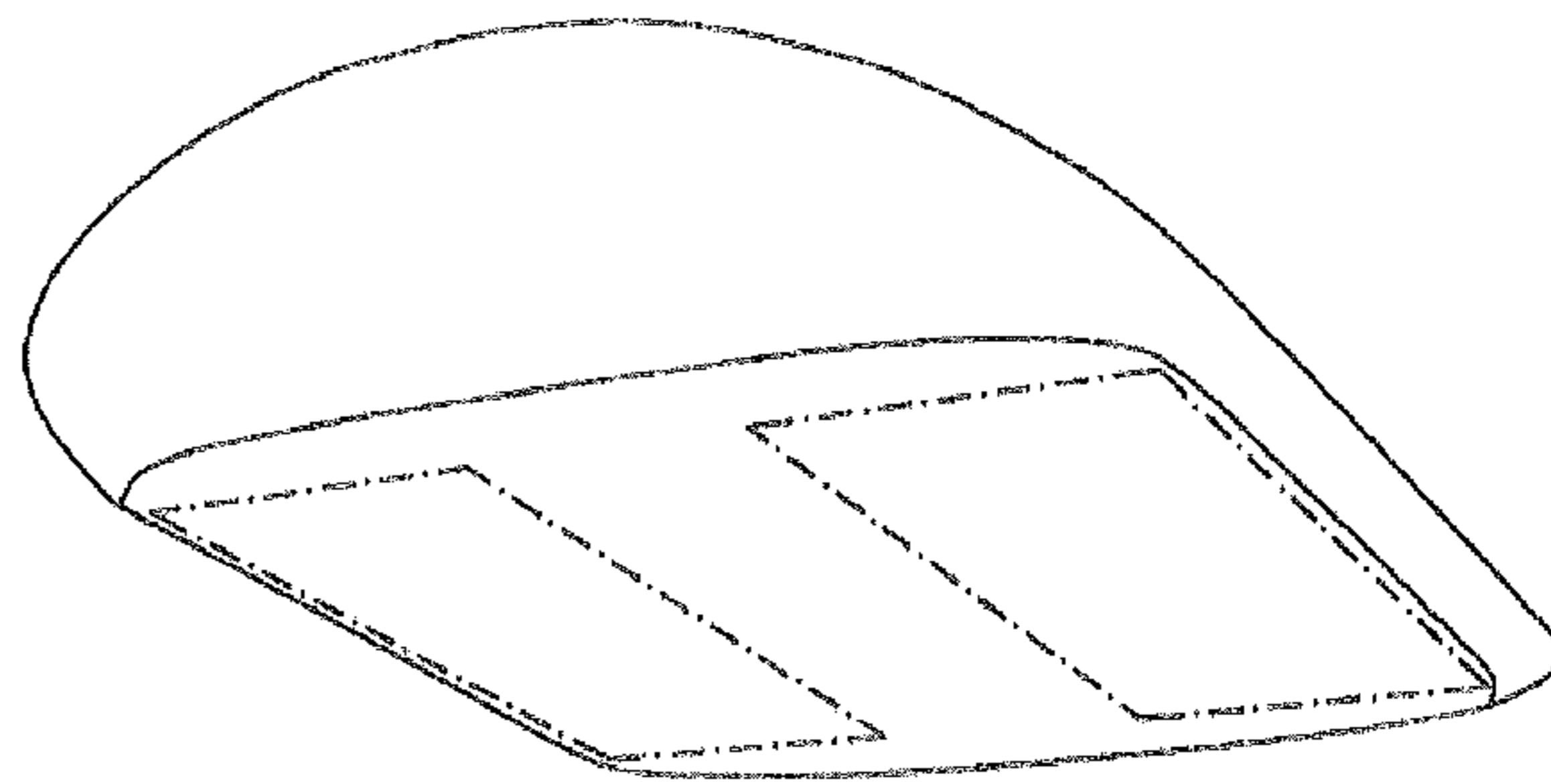
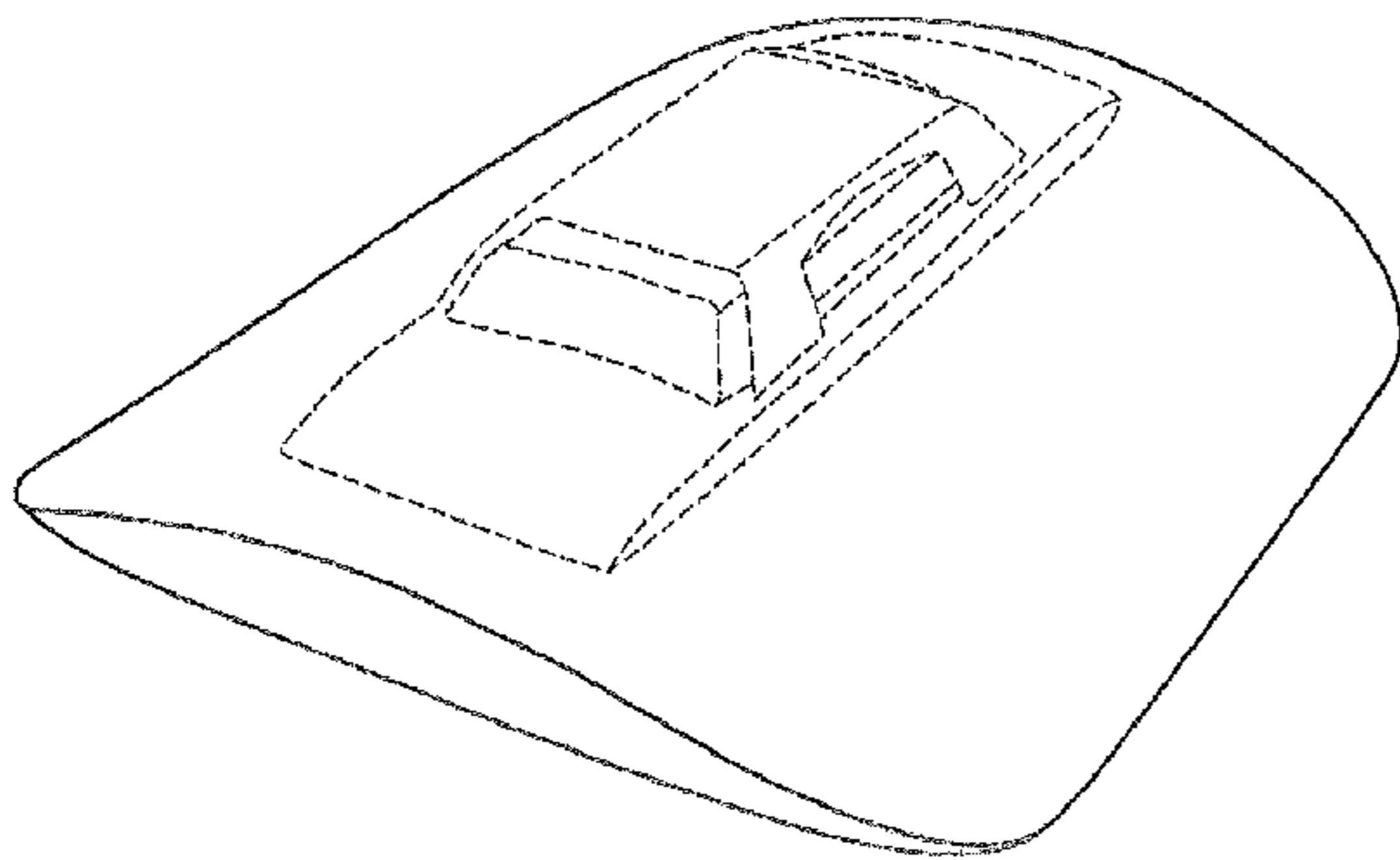
The phantom lines shown in FIGS. 1, and 3-5 are environ-
mental and not part of the claimed design.

The surface treatment of the luminaire forms no part of the
claimed design; a luminaire according to the claimed design
may have any surface treatment.

The color of the luminaire forms no part of the claimed
design; a luminaire according to the claimed design may be of
any color or combination of colors.

References to “top”, “bottom”, “front”, “side” and “rear” in
the figure descriptions are not meant to require certain in-use
orientation, a luminaire according to the claimed design may
be used in any orientation.

1 Claim, 6 Drawing Sheets



US D670,427 S

Page 2

U.S. PATENT DOCUMENTS

D323,906 S *	2/1992	Miranda et al.	D26/85	D588,292 S *	3/2009	Sabernig	D26/71
D335,190 S	4/1993	Blet		D591,440 S	4/2009	Maxik et al.	
D335,933 S	5/1993	Yang		D592,349 S	5/2009	Maxik et al.	
D342,336 S *	12/1993	Blet	D26/60	7,578,597 B2 *	8/2009	Hoover et al.	362/153.1
D377,106 S	12/1996	Chan		D599,930 S	9/2009	Huang	
D392,068 S	3/1998	Newhouse		D600,845 S *	9/2009	Thomson et al.	D26/65
D414,578 S	9/1999	Chen et al.		D600,846 S *	9/2009	Hsu et al.	D26/71
D437,072 S	1/2001	Newhouse		D604,004 S *	11/2009	Guercio	D26/85
D439,358 S *	3/2001	Lin	D26/65	D609,383 S *	2/2010	Chang	D26/71
D456,557 S	4/2002	Chen		D611,181 S *	3/2010	Tsai et al.	D26/71
D468,854 S	1/2003	Chen		D612,087 S *	3/2010	Huang	D26/63
D482,482 S	11/2003	Schreder		D619,297 S *	7/2010	Huang	D26/118
D501,947 S *	2/2005	Haugaard et al.	D26/71	D623,797 S *	9/2010	Boissevain	D26/118
D516,236 S *	2/2006	Yeh	D26/89	D625,453 S *	10/2010	Morton et al.	D26/68
D541,463 S *	4/2007	Tortel	D26/71	D628,334 S *	11/2010	Yamada	D26/71
D545,979 S *	7/2007	Molenaar et al.	D26/26	D631,181 S *	1/2011	Laporte et al.	D26/71
D549,367 S *	8/2007	Hovind et al.	D26/28	D631,591 S *	1/2011	Tortel	D26/71
D551,379 S	9/2007	Maxik		D633,237 S *	2/2011	Wang et al.	D26/26
D551,385 S *	9/2007	Huang	D26/118	D634,049 S *	3/2011	Wauters	D26/85
D554,789 S	11/2007	Huang		D641,094 S *	7/2011	Chang	D26/71
D559,430 S *	1/2008	Kuo	D26/89	D646,419 S *	10/2011	Chiang et al.	D26/71
D559,431 S *	1/2008	Mota Veiga et al.	D26/118	D647,237 S *	10/2011	Su	D26/71
D570,521 S *	6/2008	Belleau	D26/85	D647,238 S *	10/2011	Su	D26/71
D572,857 S *	7/2008	Kauffman et al.	D26/71	D656,660 S *	3/2012	Henderson et al.	D26/118
D577,454 S	9/2008	Maxik et al.		D660,493 S *	5/2012	Janssen et al.	D26/71
D579,601 S *	10/2008	Montalbano et al.	D26/85	D664,697 S *	7/2012	Piano	D26/71
D584,846 S	1/2009	Maxik et al.		2005/0057934 A1 *	3/2005	Chen	362/413
D585,153 S	1/2009	Maxik et al.		2010/0188850 A1	7/2010	Maxik et al.	
D586,947 S *	2/2009	Huang	D26/118				

* cited by examiner

Fig. 1

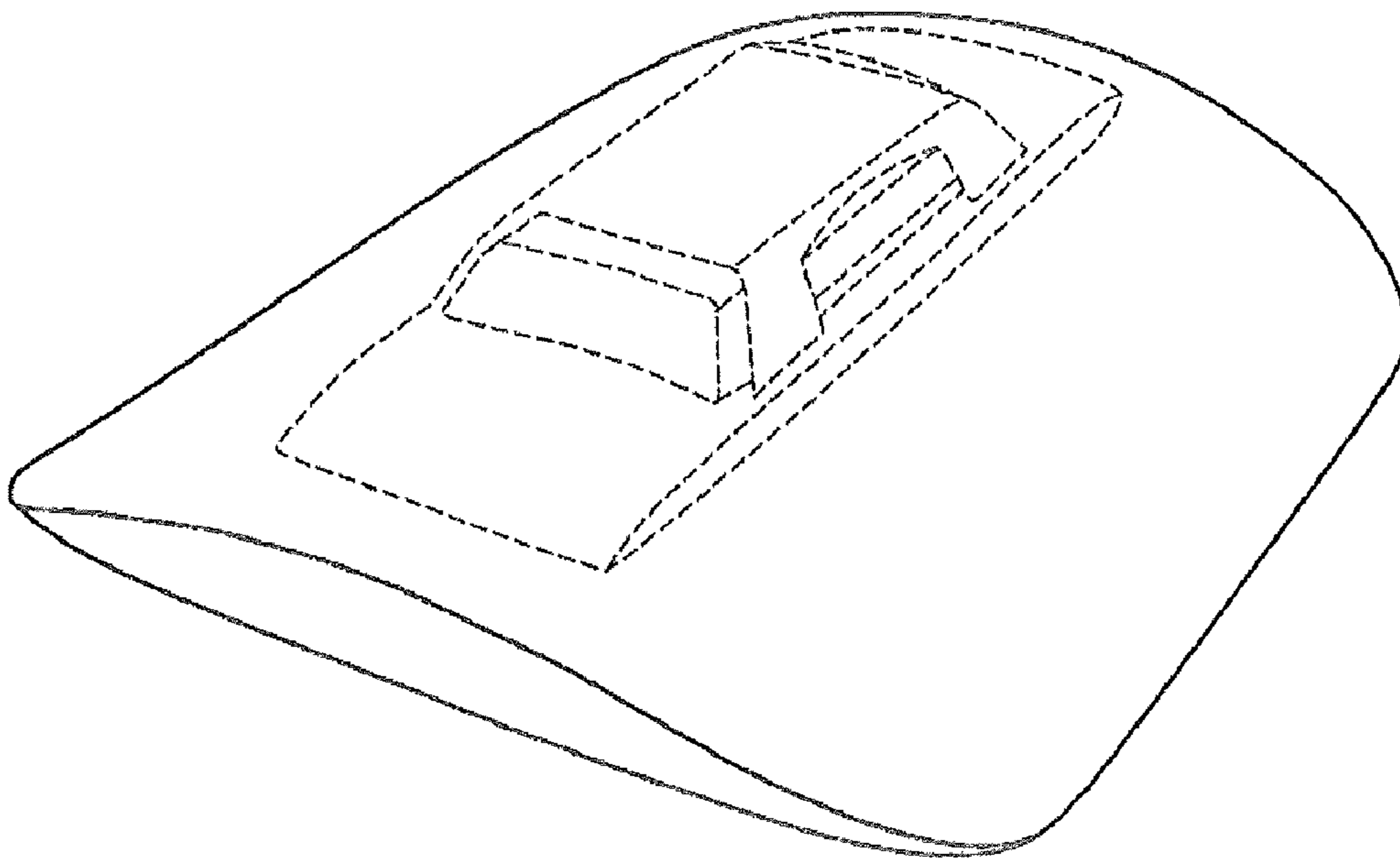


Fig. 2

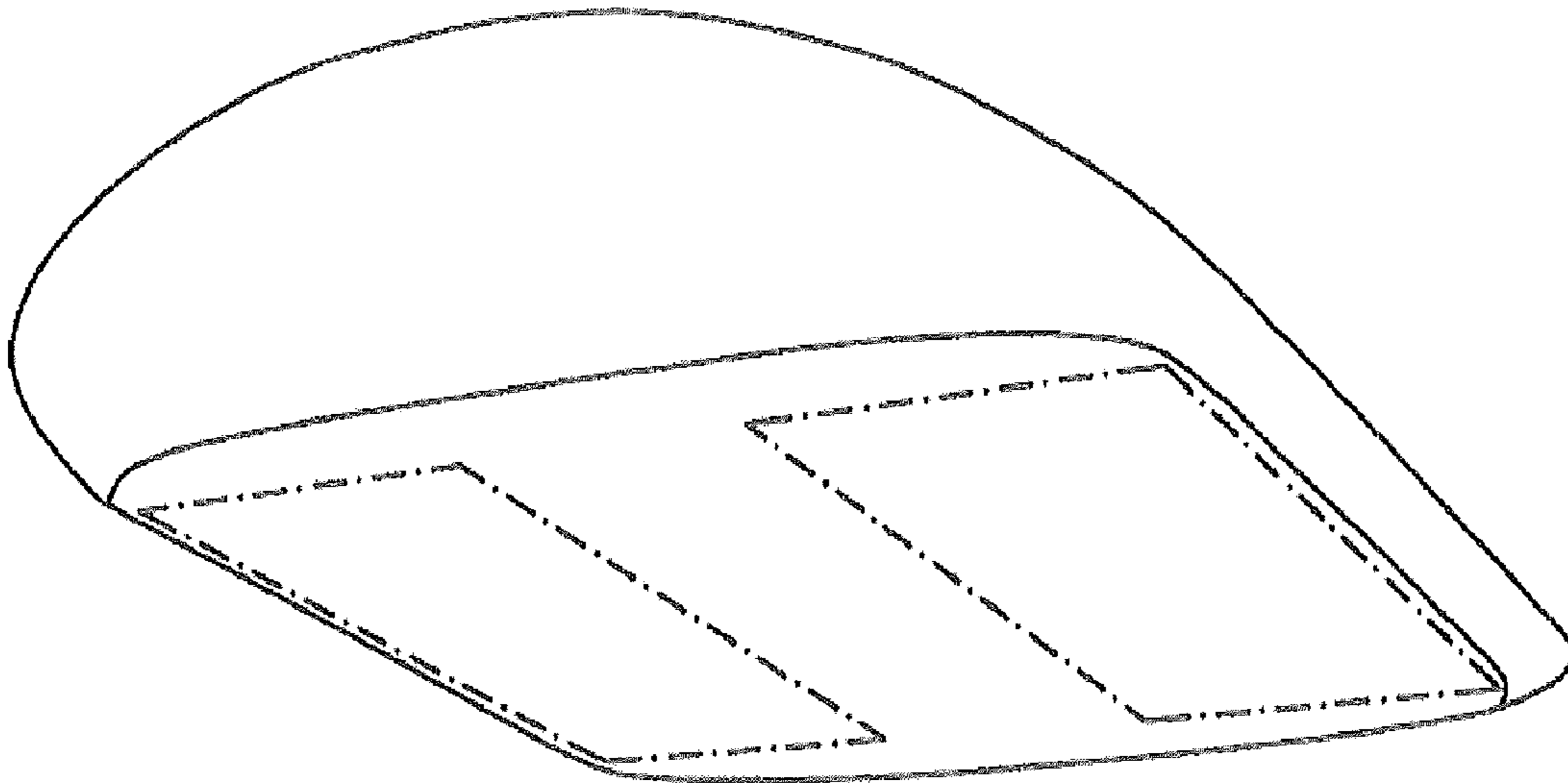


Fig. 3

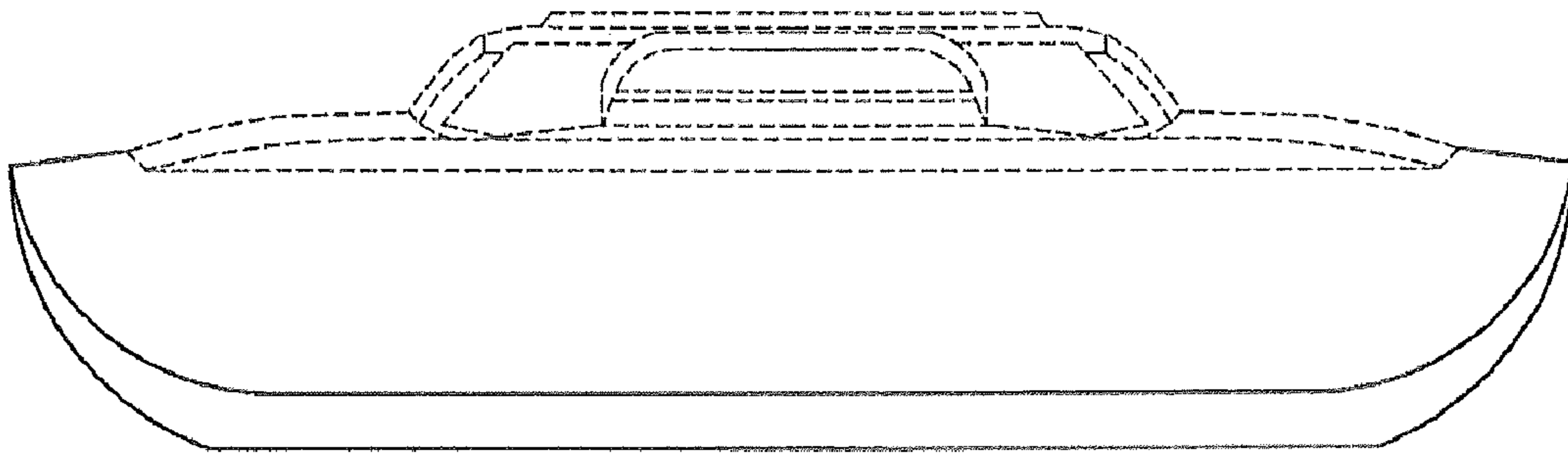


Fig. 4

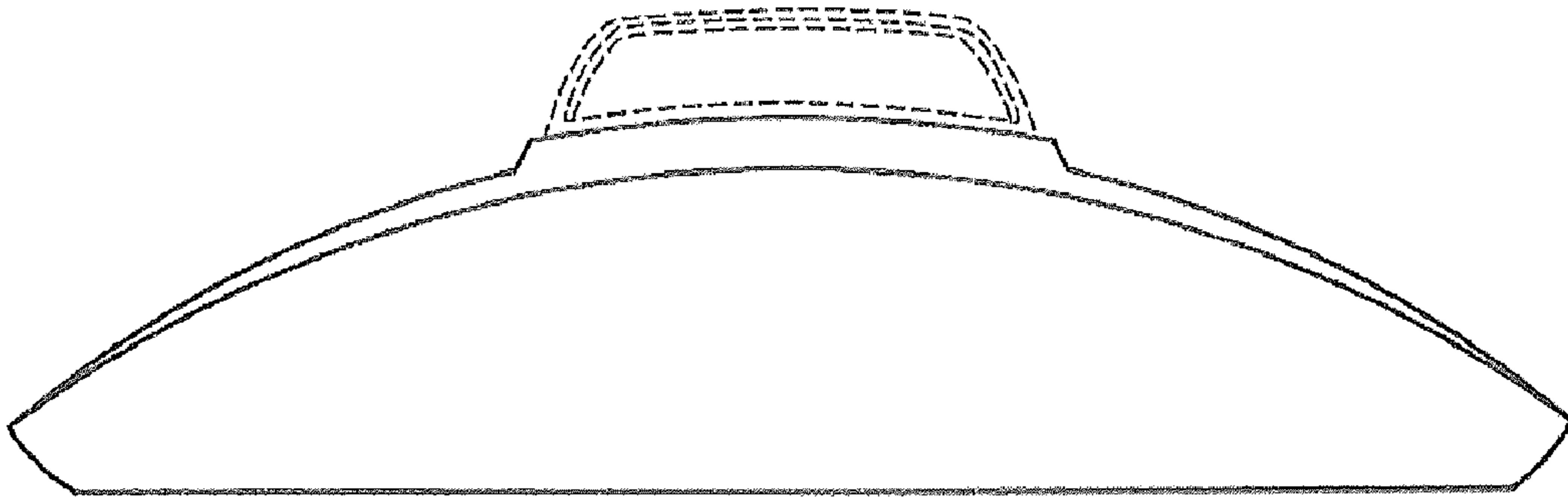


Fig. 5

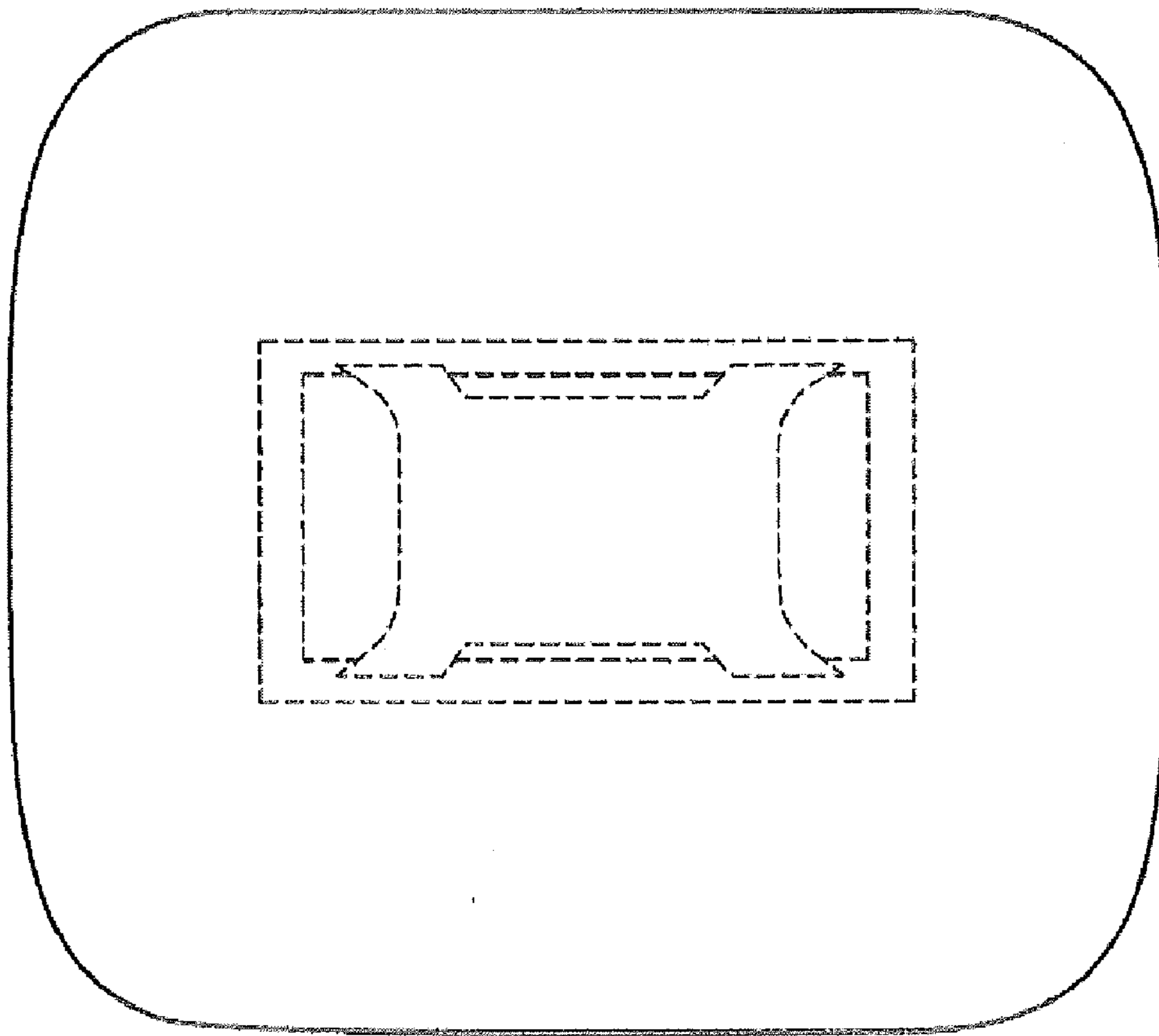


Fig. 6

