



US00D670421S

(12) **United States Design Patent**
Herberholt

(10) **Patent No.:** **US D670,421 S**
(45) **Date of Patent:** **** Nov. 6, 2012**

(54) **FLARED VISOR FOR INTERIOR LIGHT ASSEMBLY**

(75) Inventor: **Steven James Herberholt**, St. Charles, MO (US)

(73) Assignee: **Code 3, Inc.**, St. Louis, MO (US)

(**) Term: **14 Years**

(21) Appl. No.: **29/425,967**

(22) Filed: **Jun. 28, 2012**

Related U.S. Application Data

(62) Division of application No. 29/391,478, filed on May 9, 2011, now Pat. No. Des. 664,695.

(51) **LOC (9) Cl.** **26-05**

(52) **U.S. Cl.** **D26/63**

(58) **Field of Classification Search** D26/60-66, D26/28, 29, 31, 34, 72, 74, 76, 77, 85, 87; 362/240, 249.1, 249.01-249.03, 249.07, 362/249.09, 269, 270, 277, 280-285, 287, 362/311.02, 217.02, 278, 418, 432, 449, 362/319, 322, 253, 257, 268, 397, 806, 227, 362/487-490, 509-512, 516-519, 523, 540, 362/544, 546-549, 396, 301, 362, 368-371, 362/220-225, 217.08, 249.11, 365, 459, 362/542; D10/109.1, 111, 114.1, 114.3
See application file for complete search history.

(56) **References Cited**

U.S. PATENT DOCUMENTS

D617,929 S * 6/2010 Kuo D26/60
D629,548 S * 12/2010 Cai et al. D26/63

OTHER PUBLICATIONS

CrossFire LED & Safety Products, 'The Flash' Single Head Windshield Mount Warning Light on p. 1 of 2. © 2009. [Retrieved on Feb. 8, 2012]. Retrieved from the Internet <URL: http://www.crossfireled.com/mm5/merchant.mvc?Screen=CTGY & Store_Code=Cf&Categ . . . >.*

CrossFire LED & Safety Products, 'X2 Dual Linear LED Emergency Warning Windshield Mount and Dash Light.' © 2009. [Retrieved on Feb. 8, 2012]. Retrieved from the Internet <URL: http://www.crossfireled.com/mm5/merchant.mvc?Screen=PROD & Store_Code=CF&pRODUC . . . >.*

Whelen® dash lights and Signal® dash light . 2008. [Retrieved on Feb. 8, 2012]. Retrieved from the Internet <URL: http://powellsemergencyvehicleupfitting.ecrater.com/c/614938/led-dash-lights-interior-light . . . >.*

* cited by examiner

Primary Examiner — Susan M Lee

Assistant Examiner — Linda G. Brooks

(74) *Attorney, Agent, or Firm* — Senniger Powers LLP

(57) **CLAIM**

The ornamental design for a flared visor for interior light assembly, as shown and described.

DESCRIPTION

FIG. 1 is a perspective view of a flared visor for interior light assembly according to the present invention;

FIG. 2 is a front view thereof;

FIG. 3 is a right side view of the flared visor for interior light assembly, the left side view being a mirror image thereof;

FIG. 4 is a bottom view of the flared visor for interior light assembly;

FIG. 5 is a rear view thereof; and,

FIG. 6 is a top view thereof.

1 Claim, 6 Drawing Sheets

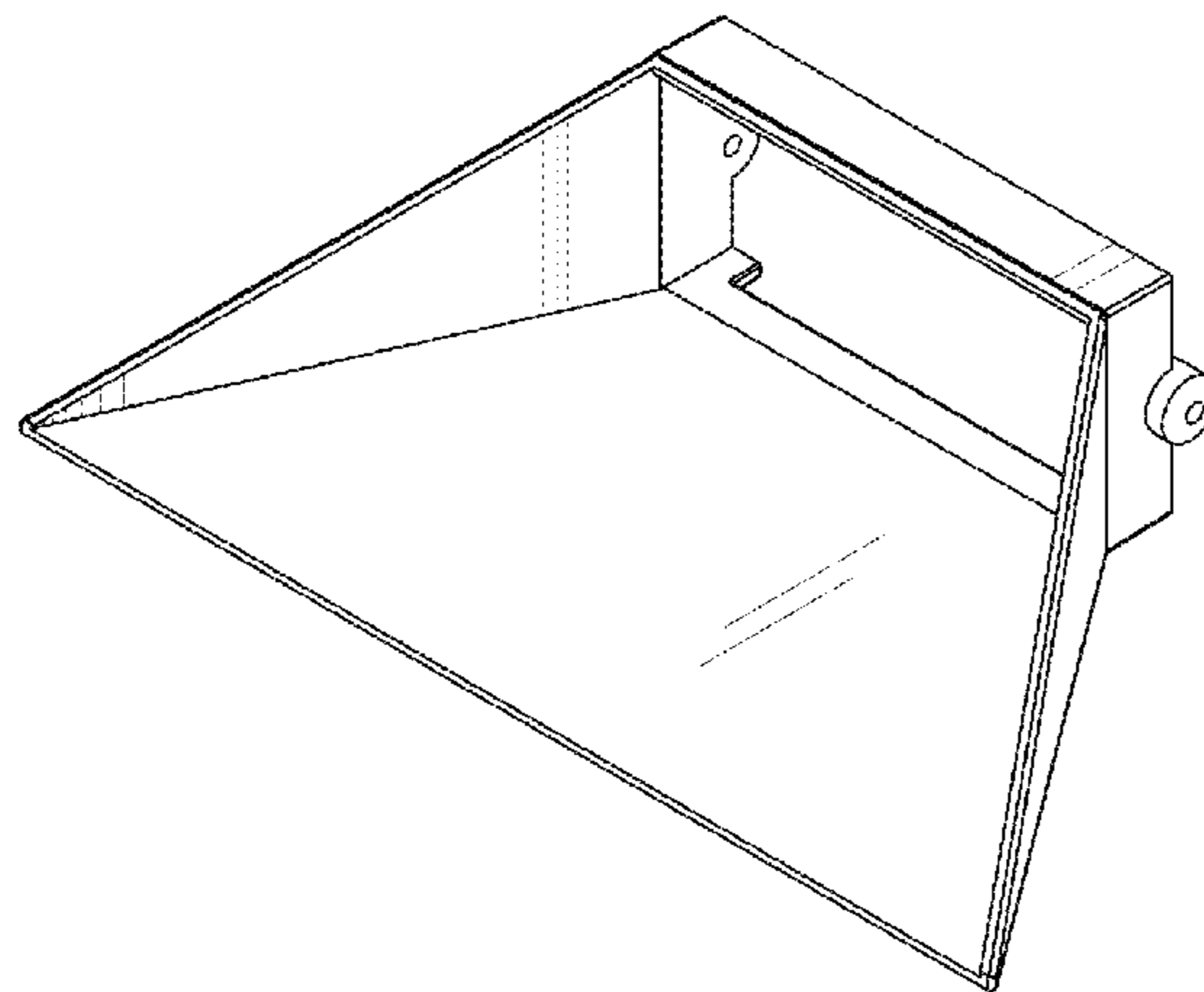


FIG. 1

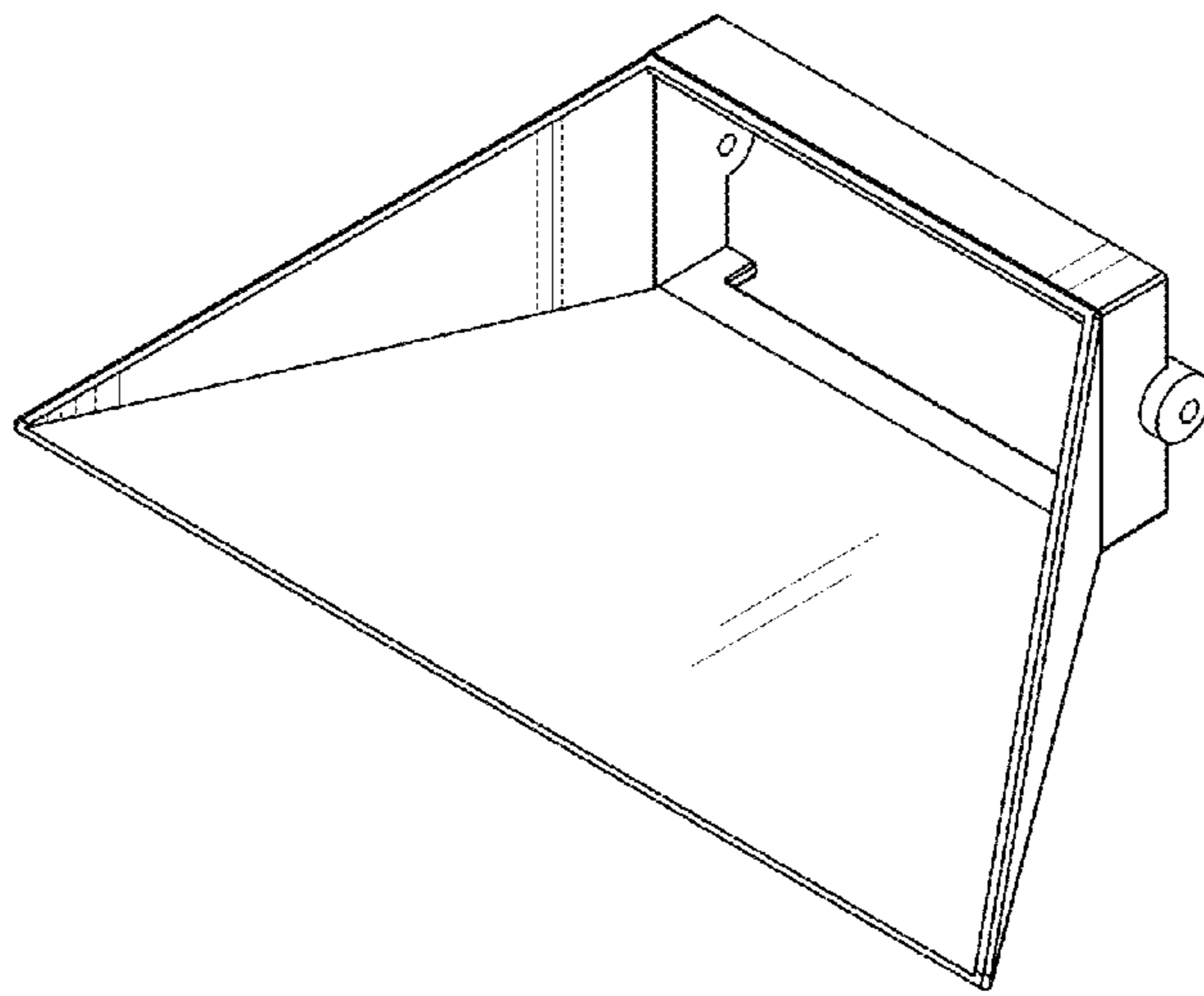


FIG. 2

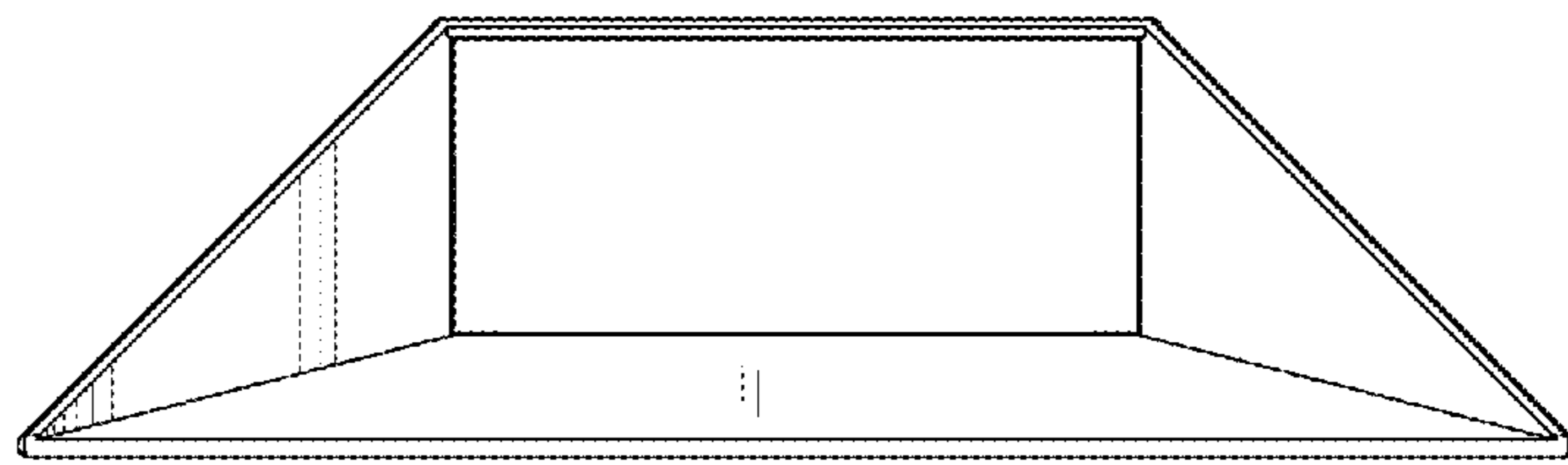


FIG. 3

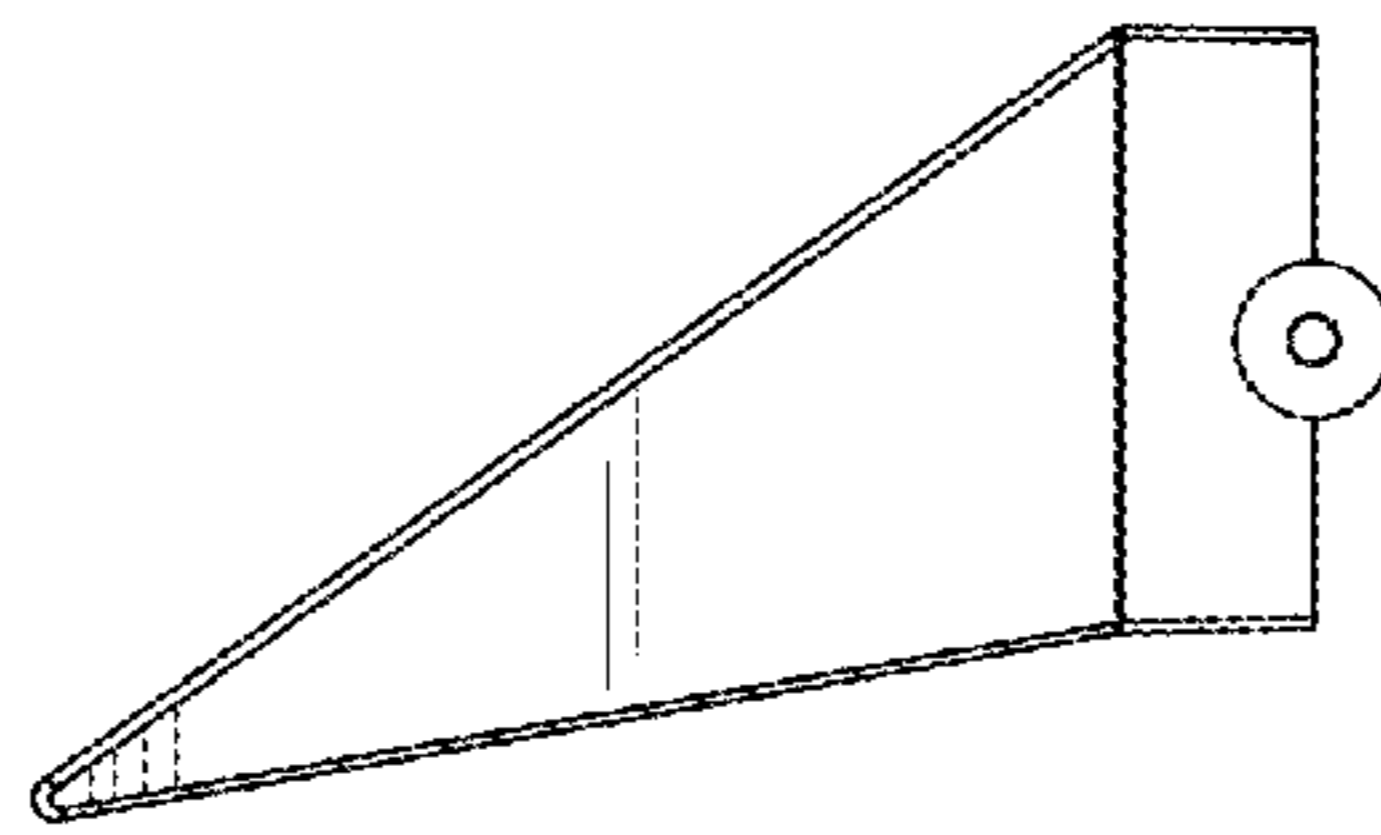


FIG. 4

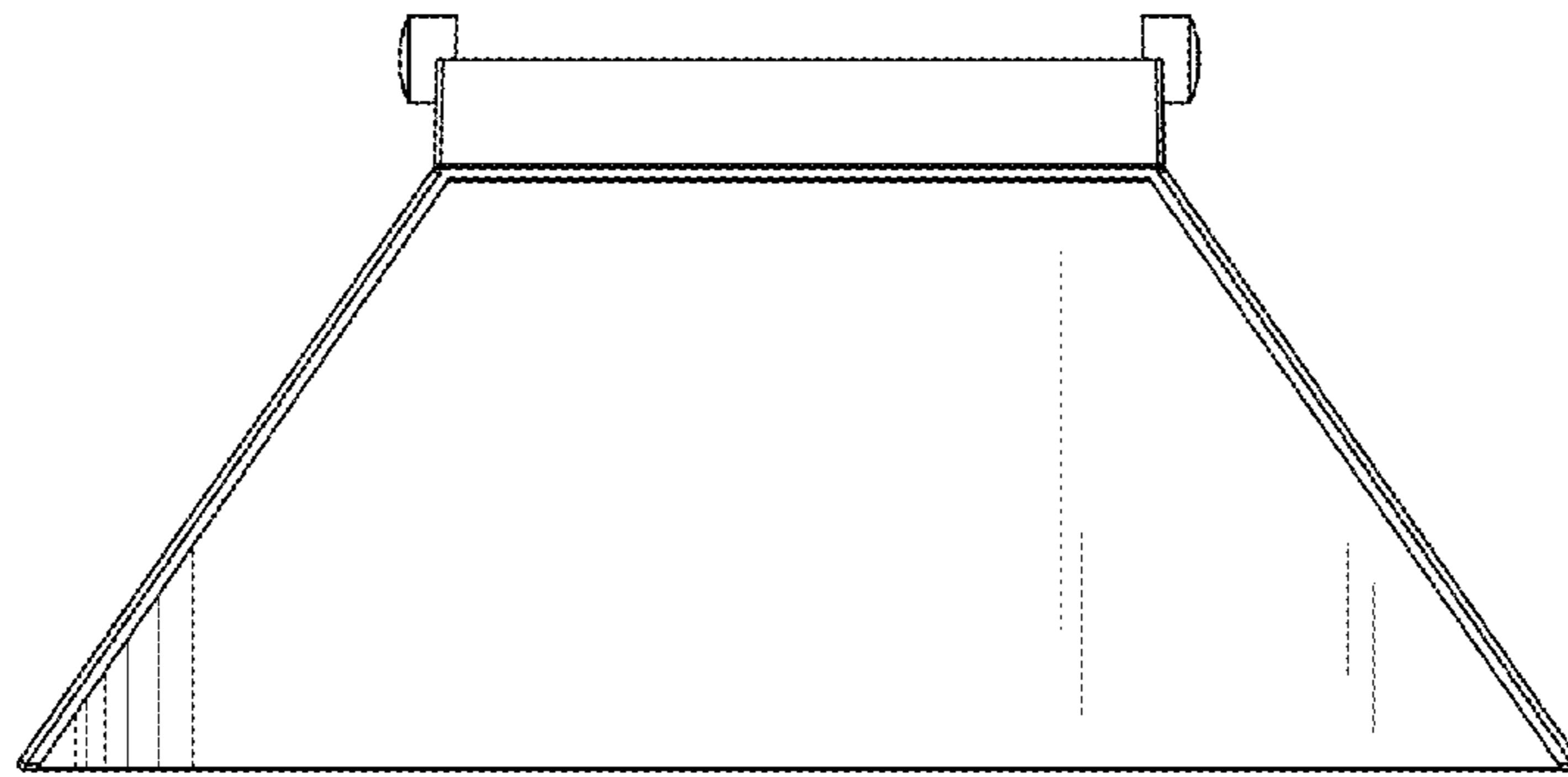


FIG. 5

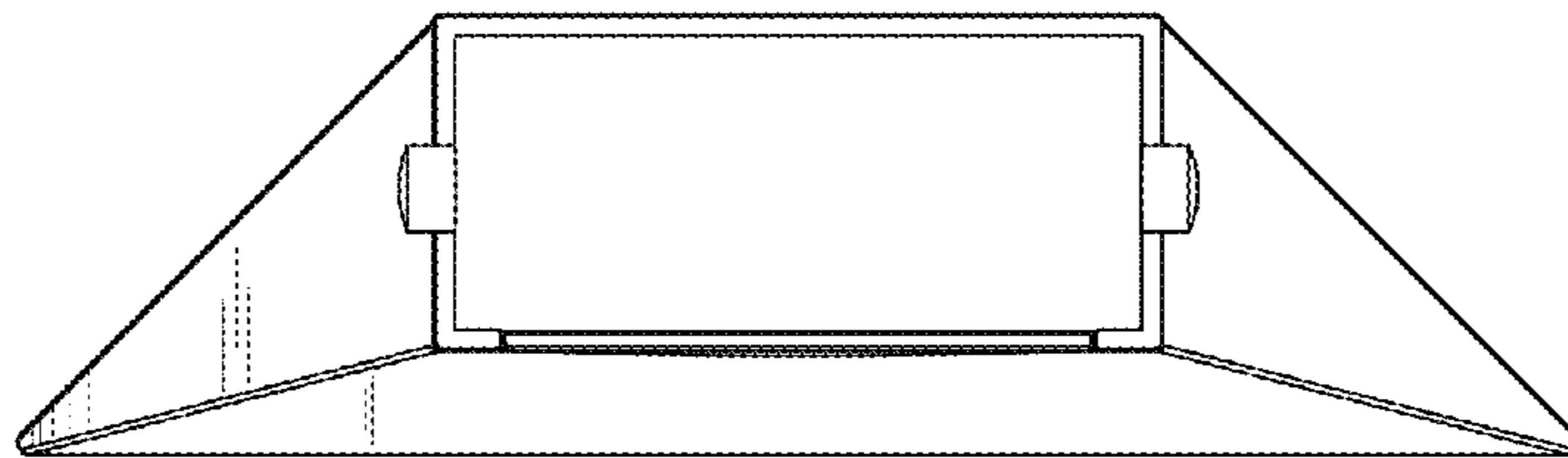


FIG. 6

