



US00D670416S

(12) **United States Design Patent**
Renshaw

(10) **Patent No.:** **US D670,416 S**

(45) **Date of Patent:** **** Nov. 6, 2012**

(54) **LED LIGHT REFLECTOR FOR A VEHICLE**

(75) Inventor: **Ronald H. Renshaw**, Longview, WA (US)

(73) Assignee: **Kaper II, Inc.**, Kelso, WA (US)

(**) Term: **14 Years**

(21) Appl. No.: **29/368,390**

(22) Filed: **Aug. 23, 2010**

(51) **LOC (9) Cl.** **26-06**

(52) **U.S. Cl.** **D26/28**

(58) **Field of Classification Search** D26/28-36;
362/459-468, 475-478, 485-487

See application file for complete search history.

(56) **References Cited**

U.S. PATENT DOCUMENTS

3,957,616	A	5/1976	Montgomery	
4,066,236	A	1/1978	Lindner	
D250,059	S	10/1978	Bleiweiss et al.	
4,972,302	A	11/1990	Masuyama et al.	
6,089,736	A	7/2000	Tanaka	
6,238,073	B1	5/2001	Ito et al.	
6,612,728	B2	9/2003	Roller et al.	
6,811,287	B2	11/2004	Roller et al.	
D641,504	S *	7/2011	Lin	D26/28
D641,507	S *	7/2011	Hu	D26/28

OTHER PUBLICATIONS

Kaper II, Inc., Lighting Catalog, (excerpts pp. 5-16, 55) downloaded from <http://www.kiigreenseries.com> (visited Mar. 2011).

Shin Yuh Cherng Inc., Ltd., Vehicle Safety Lighting catalog (excerpts pp. 1-4, 95-96) (Oct. 2008).

Kaper II LED Light Catalog (2006) (excerpts pp. 7-14, 20-21, 23-24, 27-29) downloaded http://www.kaperii.com/06_catalogs.html (visited Mar. 2011).

* cited by examiner

Primary Examiner — Marcus Jackson

(74) *Attorney, Agent, or Firm* — Stoel Rives LLP

(57) **CLAIM**

An ornamental design for a LED light reflector for a vehicle, as shown and described.

DESCRIPTION

FIG. 1 is a top side isometric view of a LED light reflector for a vehicle showing a new design;

FIG. 2 is a bottom side isometric view thereof;

FIG. 3 is a top plan view thereof;

FIG. 4 is a bottom plan view thereof;

FIG. 5 is a side elevation view thereof;

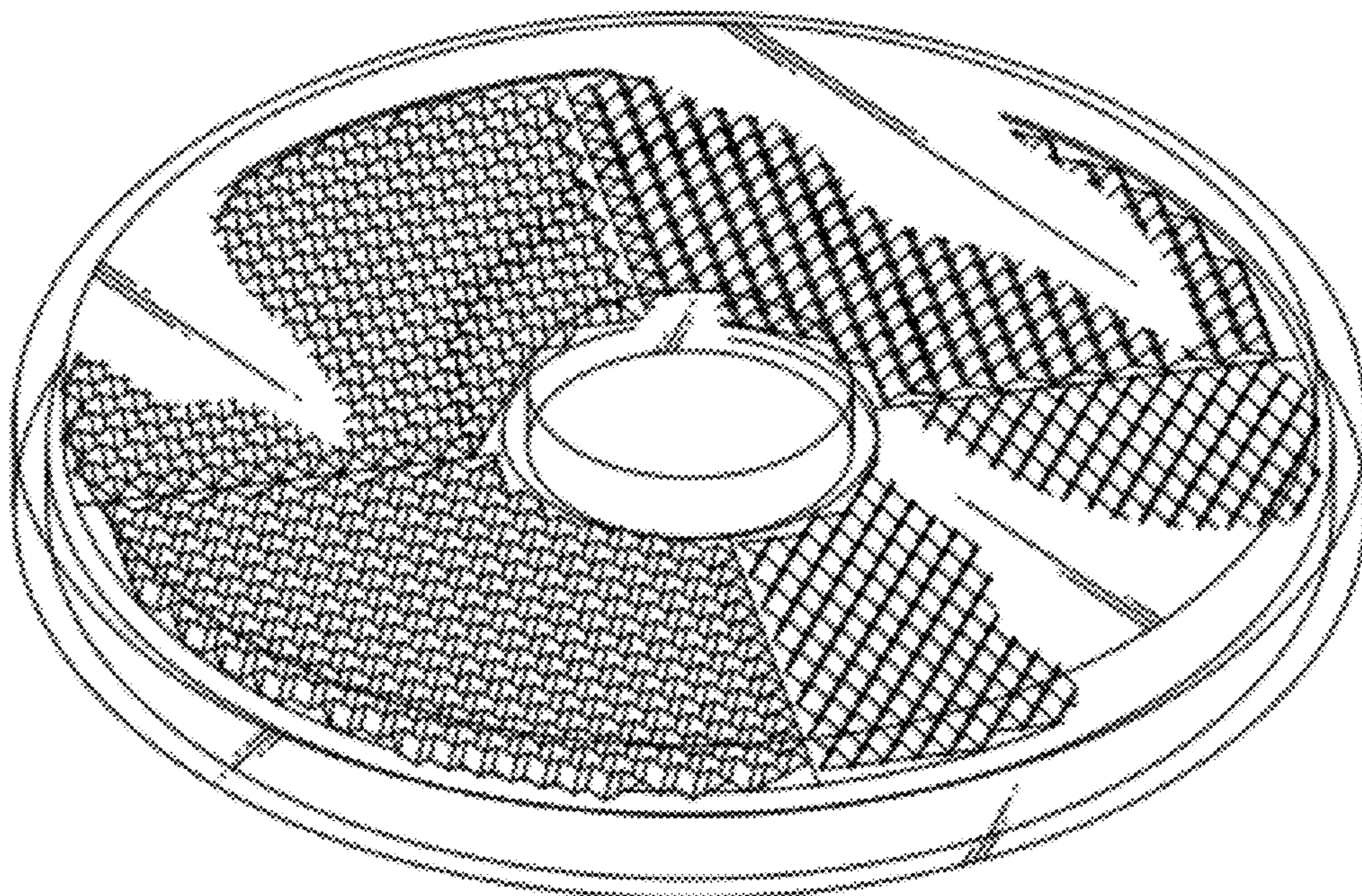
FIG. 6 is a top plan view thereof with a first alternate reflector pattern;

FIG. 7 is a bottom plan view thereof with the first alternate reflector pattern;

FIG. 8 is a top plan view thereof with a second alternate reflector pattern; and,

FIG. 9 is a bottom plan view thereof with the second alternate reflector pattern.

1 Claim, 5 Drawing Sheets



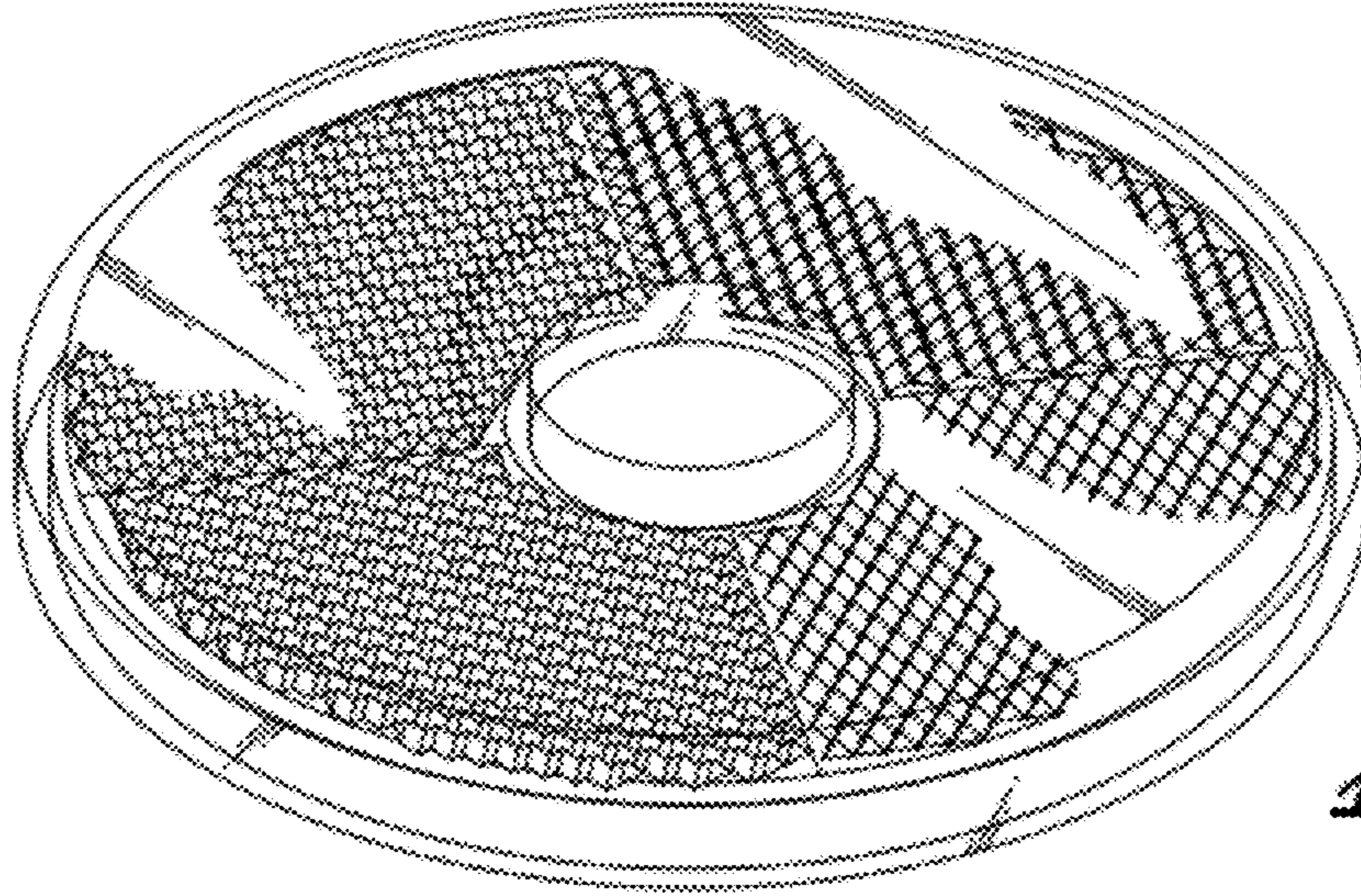


FIG. 1

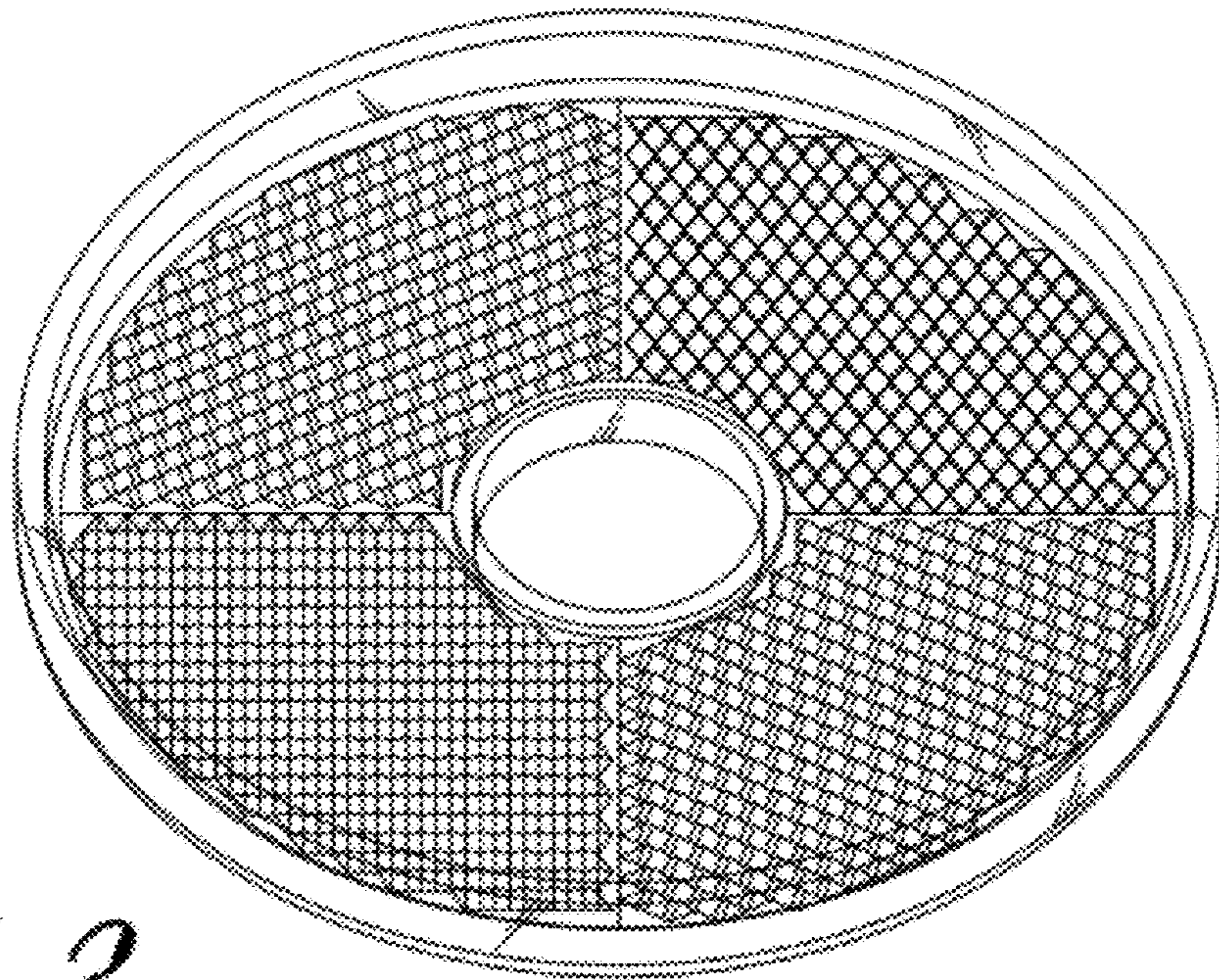


FIG. 2

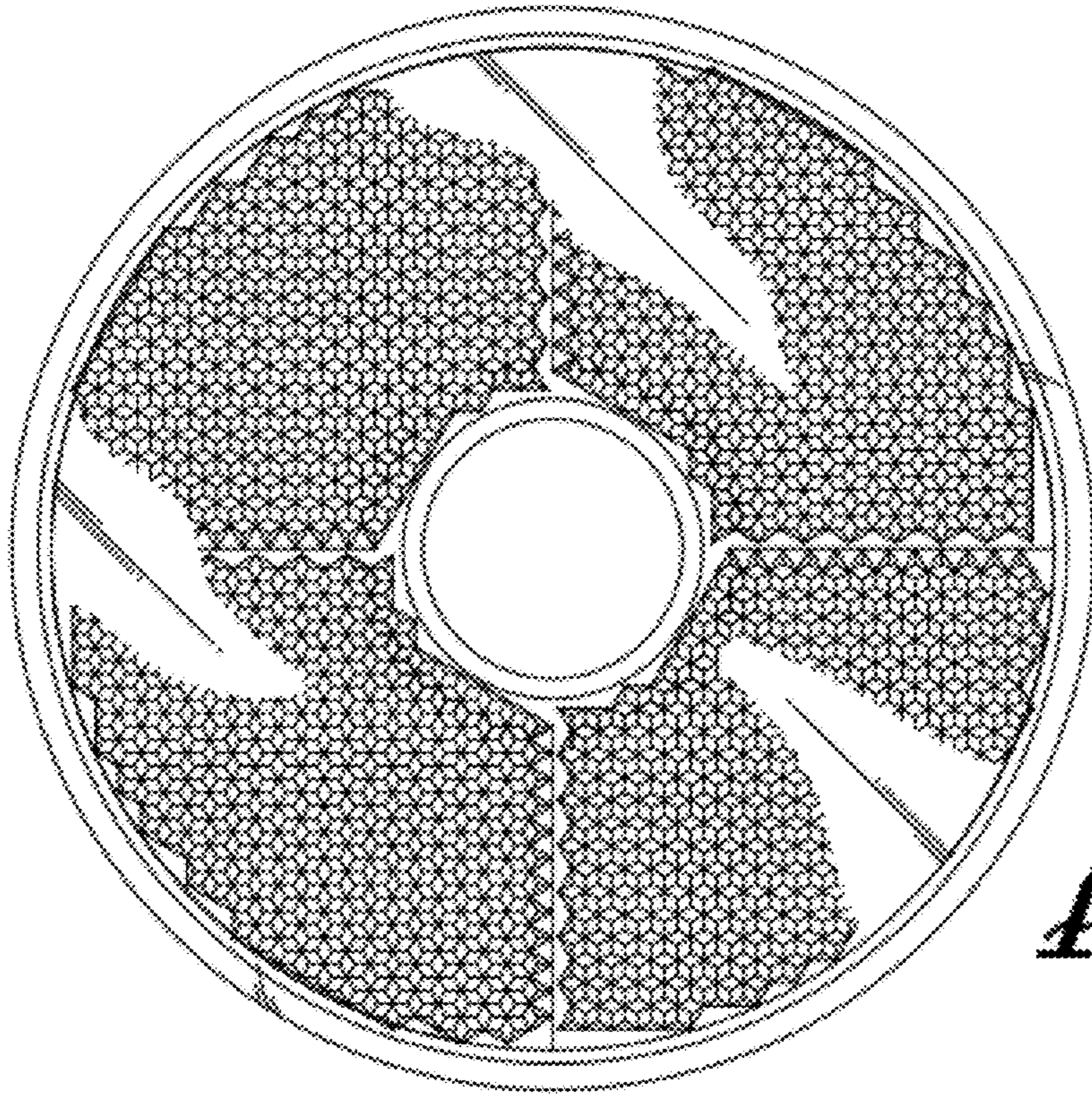


FIG. 3

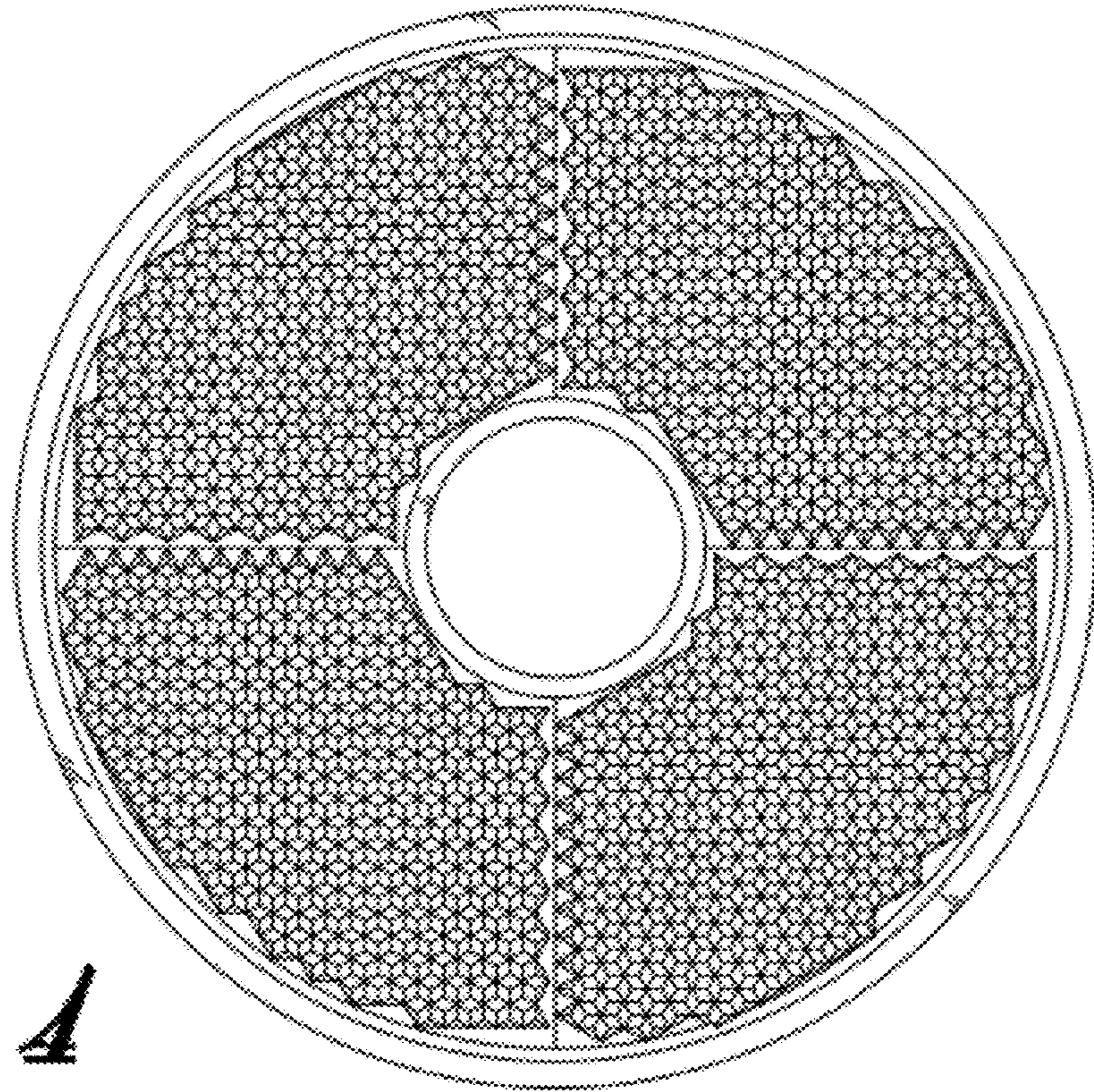


FIG. 4

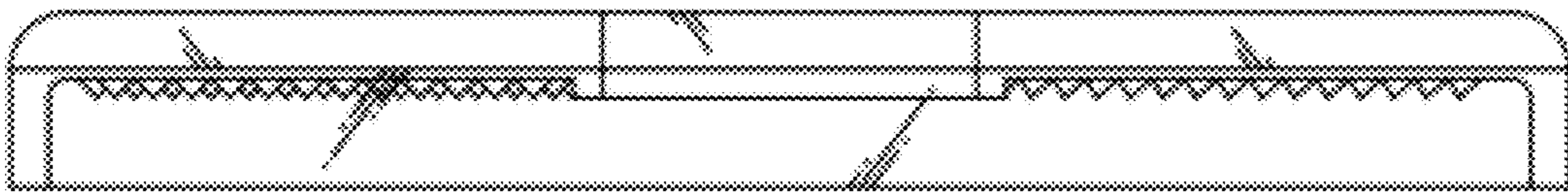


FIG. 5

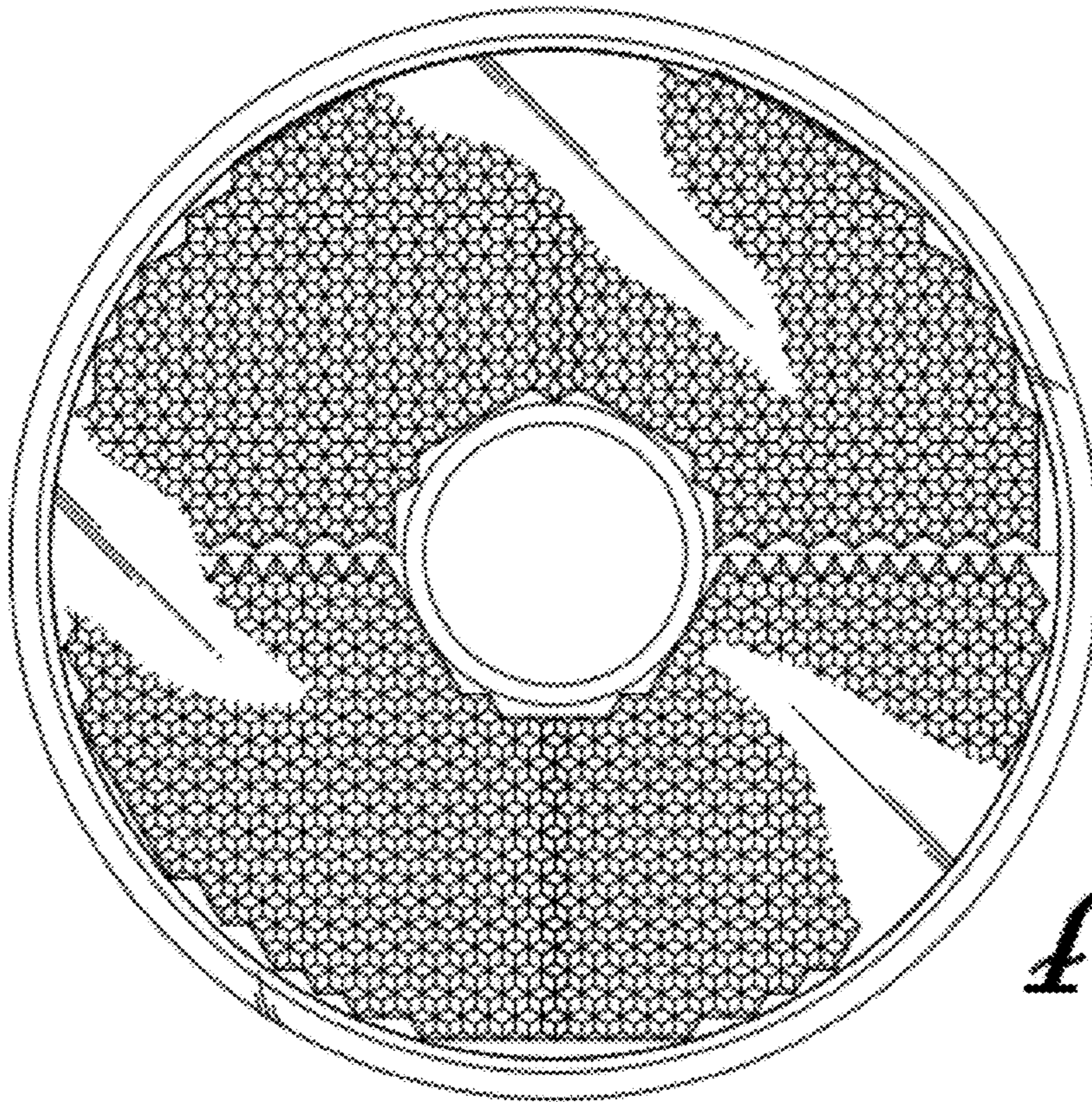


FIG. 6

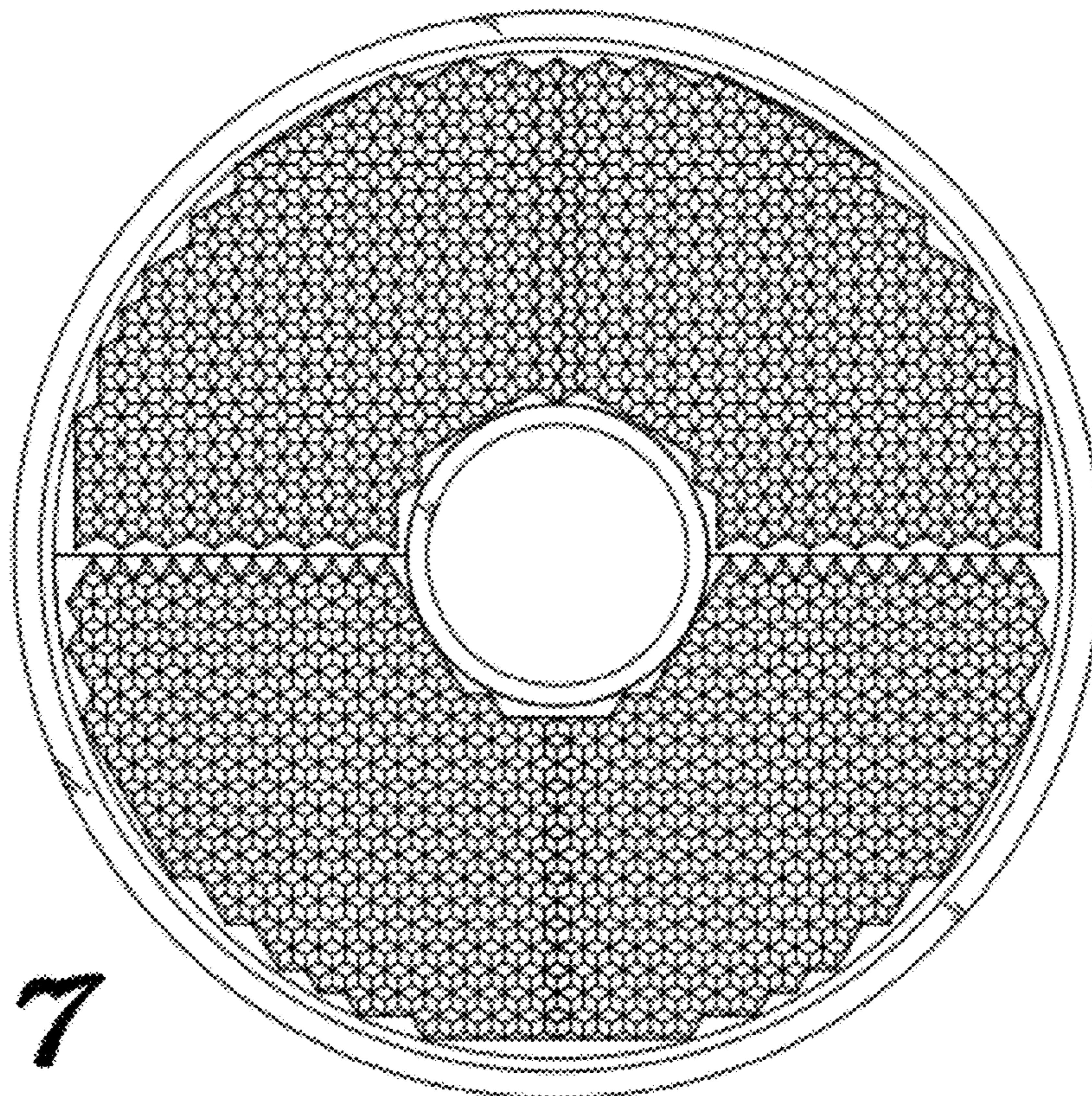


FIG. 7

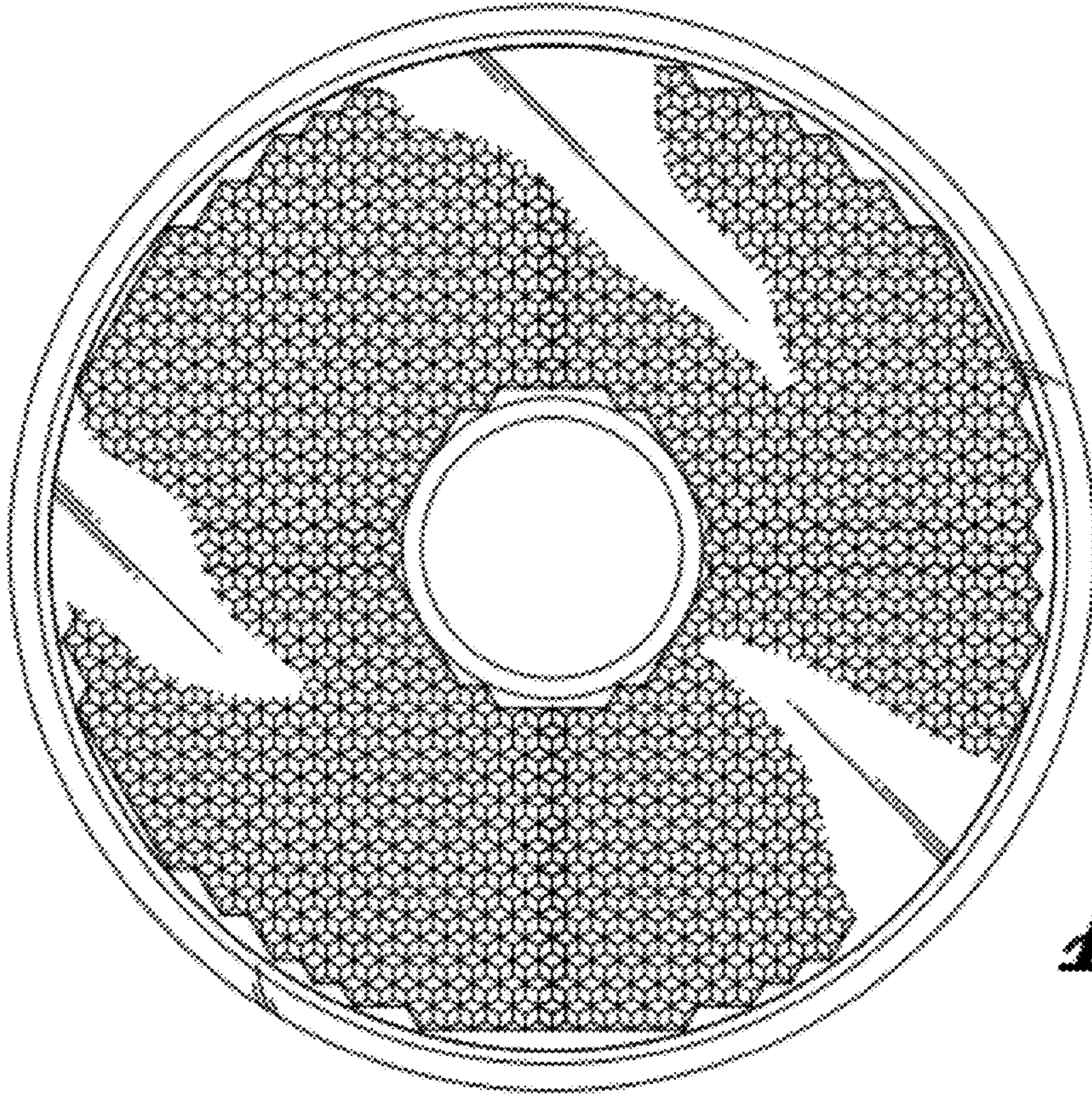


FIG. 8

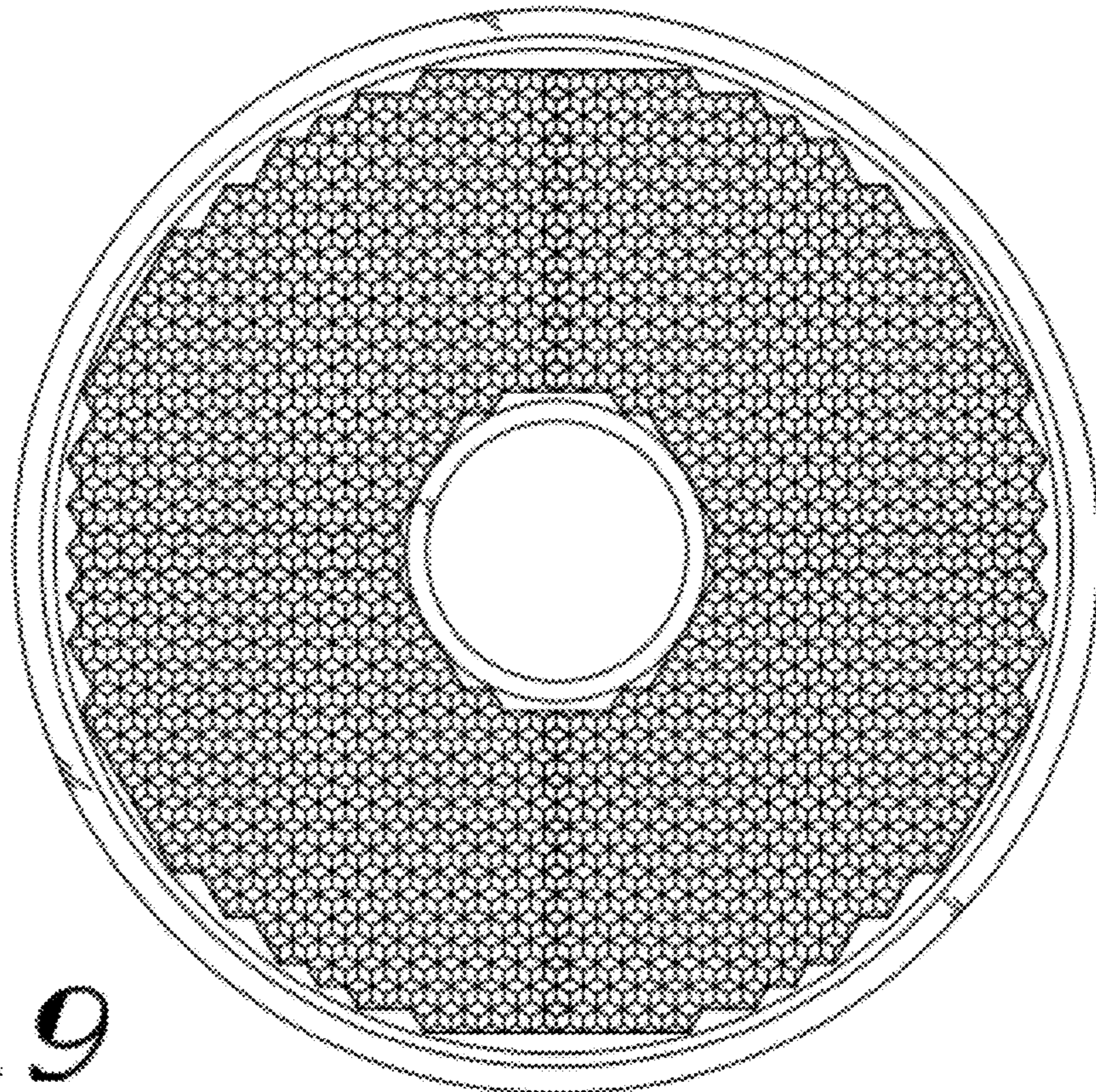


FIG. 9