



US00D670415S

(12) **United States Design Patent**
Kleist

(10) **Patent No.:** **US D670,415 S**

(45) **Date of Patent:** **** Nov. 6, 2012**

(54) **TWIN WICK TOP FOR A TORCH**
(75) Inventor: **Jason Kleist**, Milwaukee, WI (US)
(73) Assignee: **Lamplight Farms Incorporated**,
Menomonee Falls, WI (US)

5,584,283 A 12/1996 Messina
5,609,480 A * 3/1997 Boyd 431/144
D383,859 S * 9/1997 Hollington D26/9
D404,507 S 1/1999 Palmer et al.
5,902,101 A 5/1999 Palmer et al.
5,980,241 A 11/1999 Schirneker

(Continued)

(**) Term: **14 Years**

FOREIGN PATENT DOCUMENTS

(21) Appl. No.: **29/383,931**

FR 2734888 6/1996

(Continued)

(22) Filed: **Jan. 24, 2011**

(51) **LOC (9) Cl.** **26-01**

(52) **U.S. Cl.** **D26/23; D26/6**

(58) **Field of Classification Search** D26/6-23;
431/144, 289, 291-292, 295, 350

See application file for complete search history.

OTHER PUBLICATIONS

Pipe-Line Denmark, "Elipse Advanced Burning Control".

(Continued)

Primary Examiner — Marcus Jackson

(74) *Attorney, Agent, or Firm* — Fellers, Snider,
Blankenship, Bailey & Tippens, P.C.

(56) **References Cited**

U.S. PATENT DOCUMENTS

203,043 A 4/1878 Hillegass
243,134 A 6/1881 Hinrichs et al.
401,075 A 4/1889 Seltzer
1,121,175 A 12/1914 Dow
1,915,622 A * 6/1933 Sevcik 431/291
2,122,624 A 7/1938 Sauer
2,217,970 A 10/1940 Shearman et al.
2,237,423 A * 4/1941 Freeman 68/238
2,313,784 A 3/1943 Then
2,684,182 A 7/1954 Gey
2,836,043 A 5/1958 Spethmann
3,364,704 A 1/1968 Bernstein
3,385,084 A 5/1968 MacDonald
3,531,228 A 9/1970 Reese
D219,062 S 10/1970 Kozoil
D225,674 S 12/1972 Reese
3,727,810 A 4/1973 Douty
4,792,054 A 12/1988 Weidman
5,083,916 A 1/1992 Glennon et al.
5,205,730 A 4/1993 Capdeville
5,269,432 A 12/1993 Beckertgis
5,405,262 A 4/1995 Appel
5,555,993 A 9/1996 Borkowski et al.

(57) **CLAIM**

The ornamental design for a twin wick top for a torch, as shown and described.

DESCRIPTION

FIG. 1 is front elevational view shown in its environment, the rear elevational view being identical thereto.

FIG. 2 is a front elevational view, the rear elevational view being identical thereto.

FIG. 3 is a top plan view.

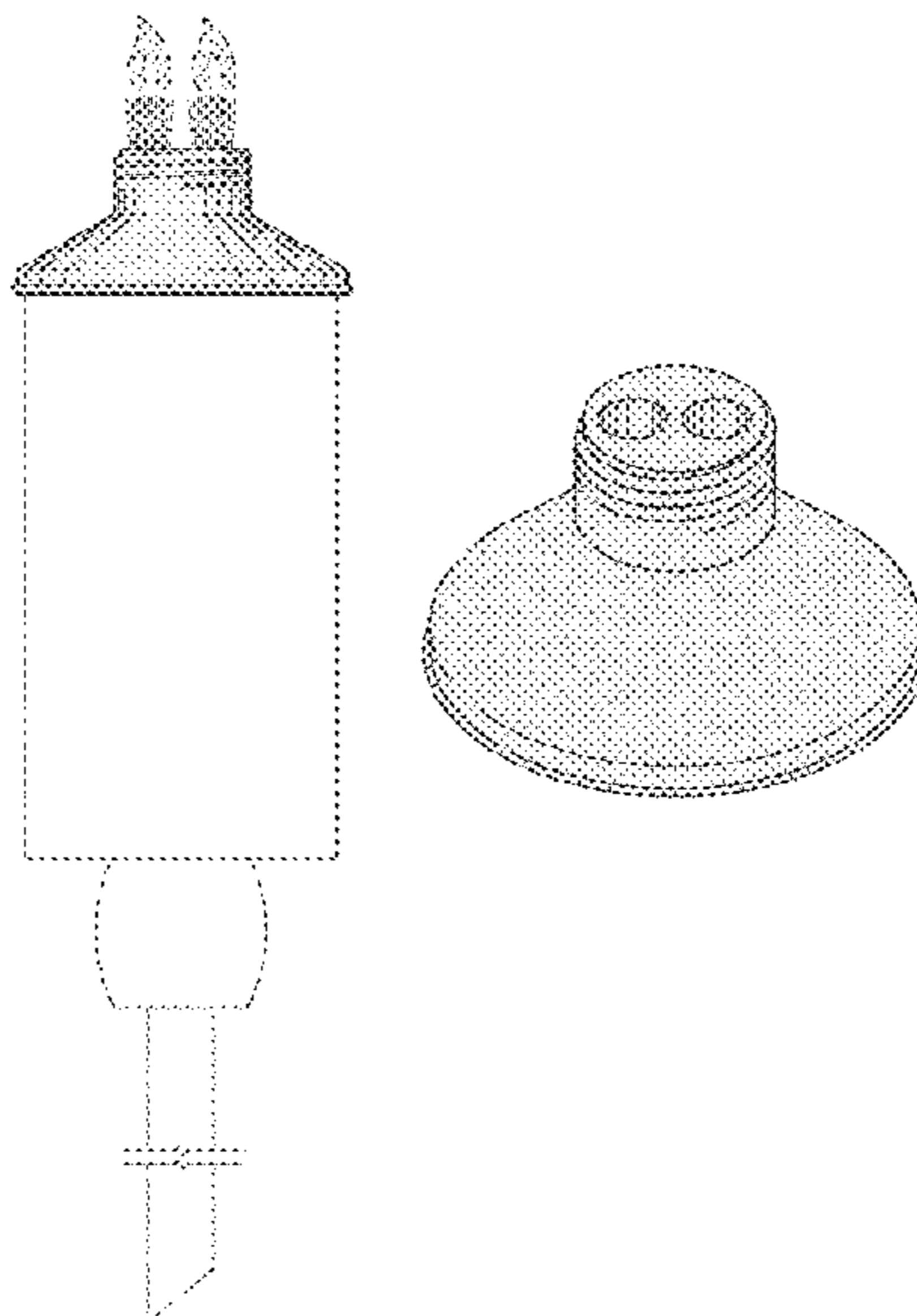
FIG. 4 is a right side elevational view, the left side elevational view being identical thereto.

FIG. 5 is a bottom plan view; and,

FIG. 6 is a perspective view.

The broken line showing of the torch is included for the purpose of illustrating only and forms no part of the claimed design.

1 Claim, 2 Drawing Sheets



US D670,415 S

Page 2

U.S. PATENT DOCUMENTS

6,010,332 A 1/2000 Lee et al.
D425,636 S * 5/2000 Freeman D26/6
D450,140 S 11/2001 Donley
6,360,738 B1 3/2002 Brooks
6,468,072 B2 10/2002 Shook
6,663,258 B1 12/2003 Kanter
6,663,838 B1 12/2003 Soller et al.
6,739,471 B2 5/2004 Goetz et al.
6,746,235 B1 6/2004 Aszenbrenner et al.
6,780,382 B2 8/2004 Furner et al.
6,857,869 B1 2/2005 Sun
7,056,113 B2 6/2006 Bachinski et al.
7,090,142 B2 8/2006 Rantzen
7,156,653 B1 1/2007 DeMars
7,232,550 B1 6/2007 Rodgers et al.
7,247,017 B2 7/2007 Furner
D605,788 S * 12/2009 Ritzenhoff D26/9
D661,824 S * 6/2012 Jorgensen D26/9

2002/0164554 A1 11/2002 Kisch et al.
2004/0229180 A1 11/2004 Furner
2006/0057530 A1 3/2006 Kubicek et al.
2006/0144599 A1 7/2006 Leinemann
2006/0199129 A1 9/2006 Konkle, Jr.
2006/0251997 A1 11/2006 Schulte et al.
2007/0015097 A1 1/2007 Baker

FOREIGN PATENT DOCUMENTS

JP 06331133 11/1994
WO WO 03106895 12/2003
WO WO 2004108219 12/2004

OTHER PUBLICATIONS

Pipe-Line Denmark, "The Torch Master Brochure", Publisher: <http://www.pipe-line.dk/pdf/English2007WEB.pdf>.

* cited by examiner

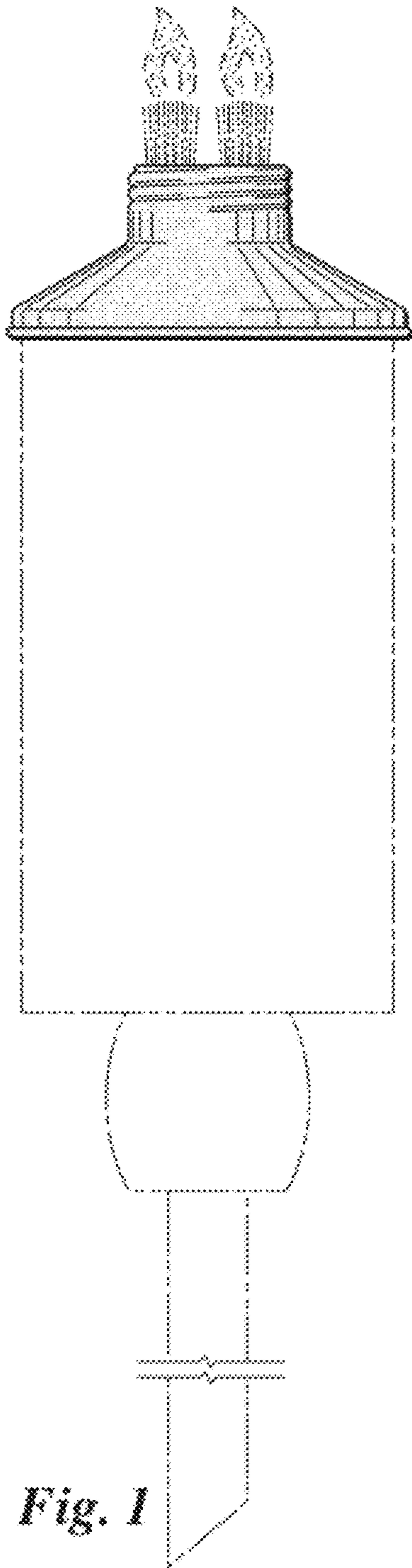


Fig. 1

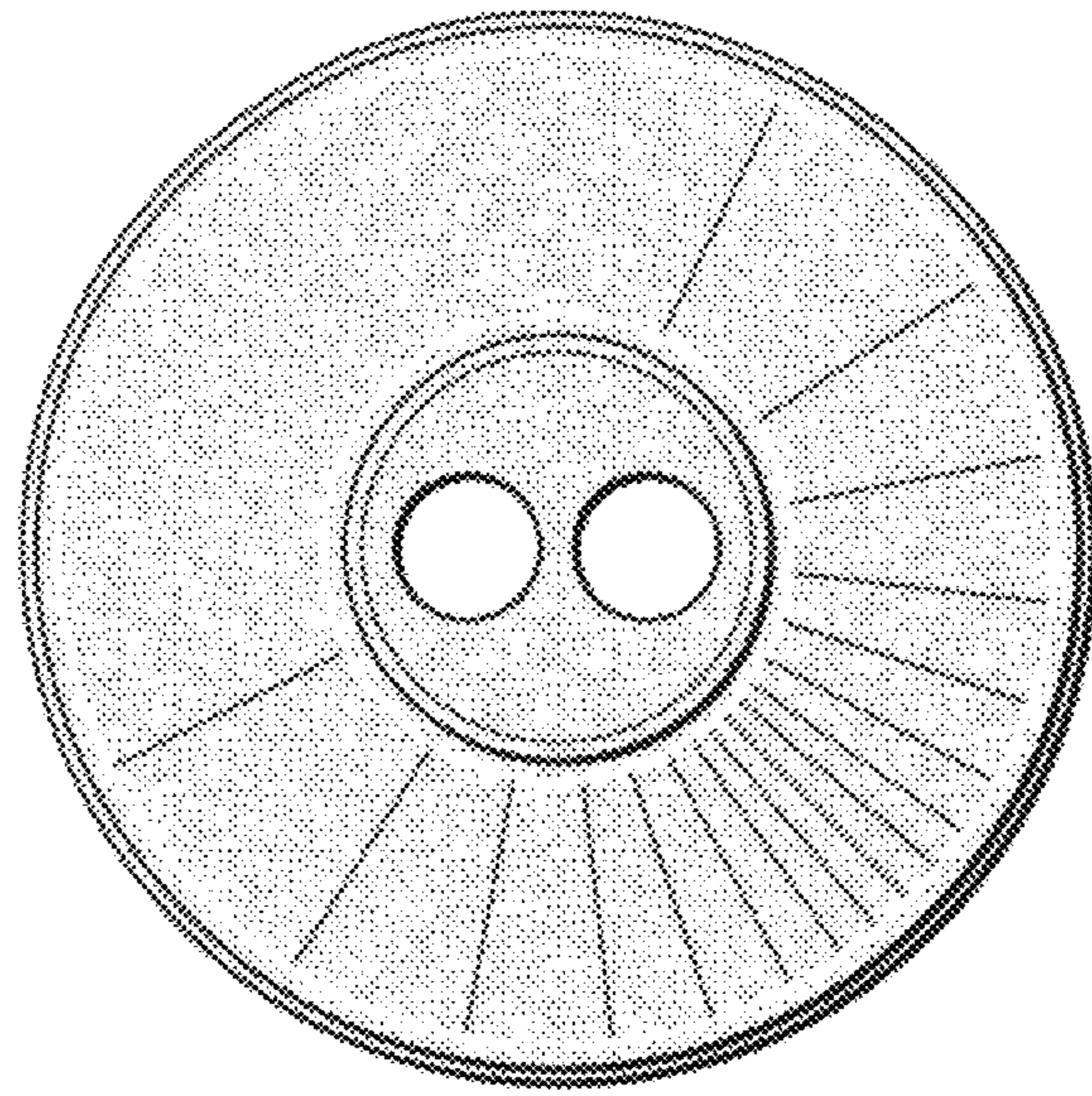


Fig. 3

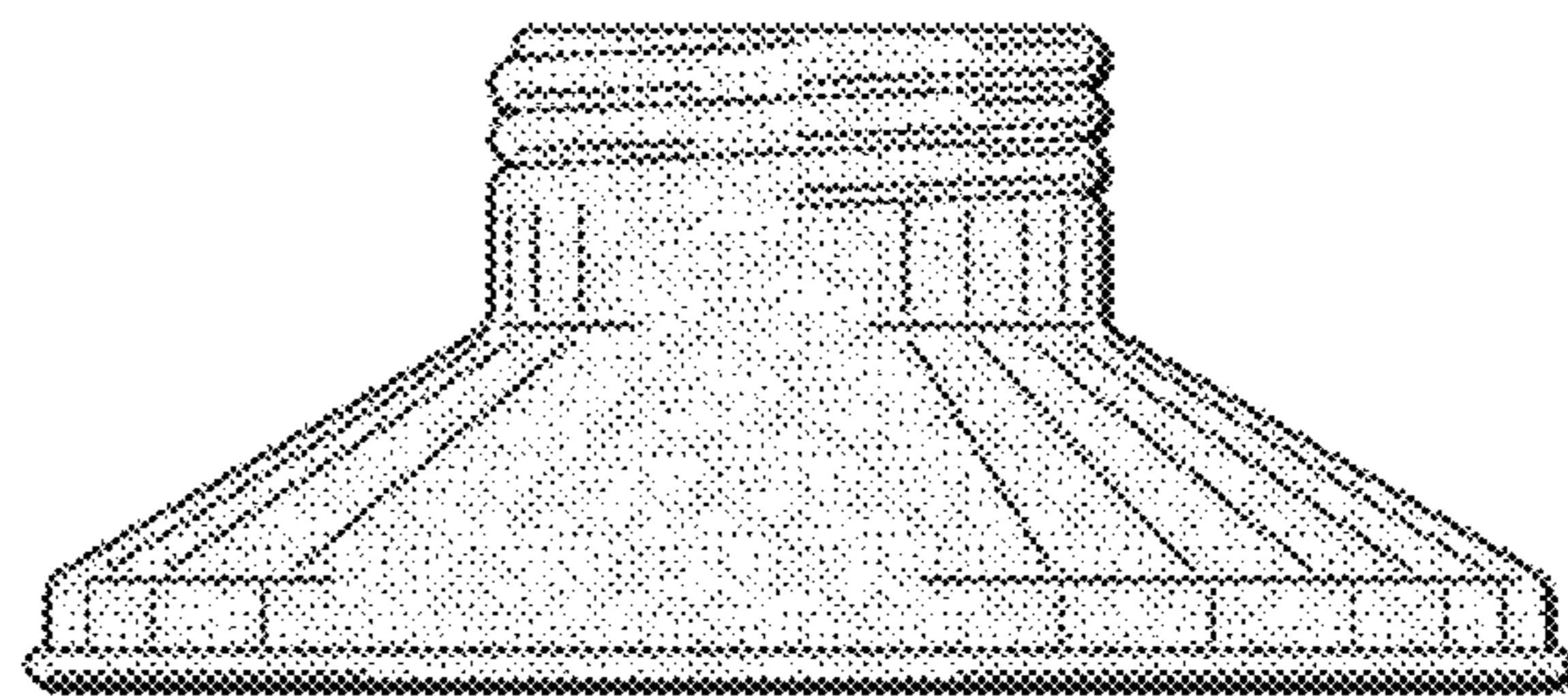


Fig. 2

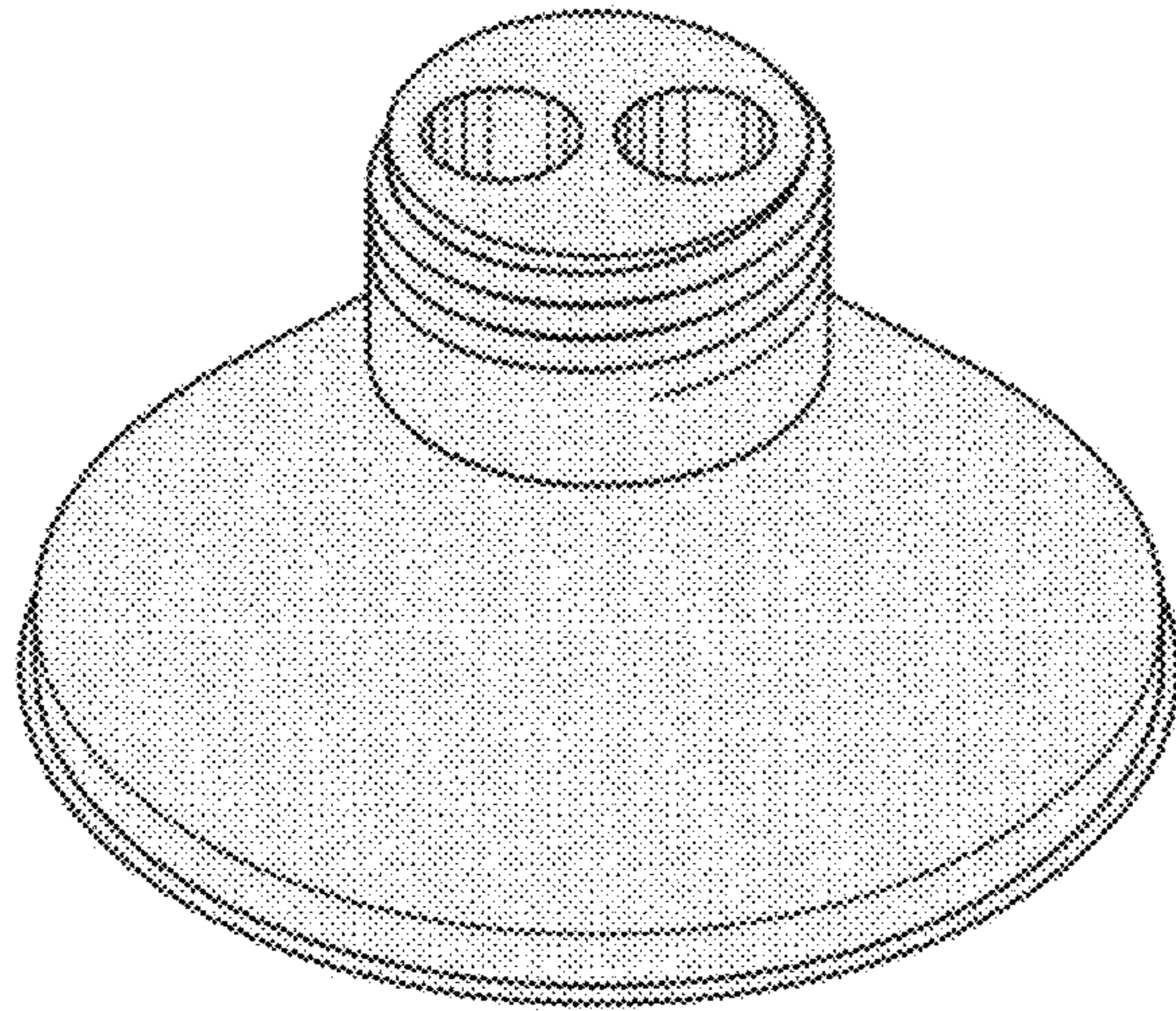


Fig. 6

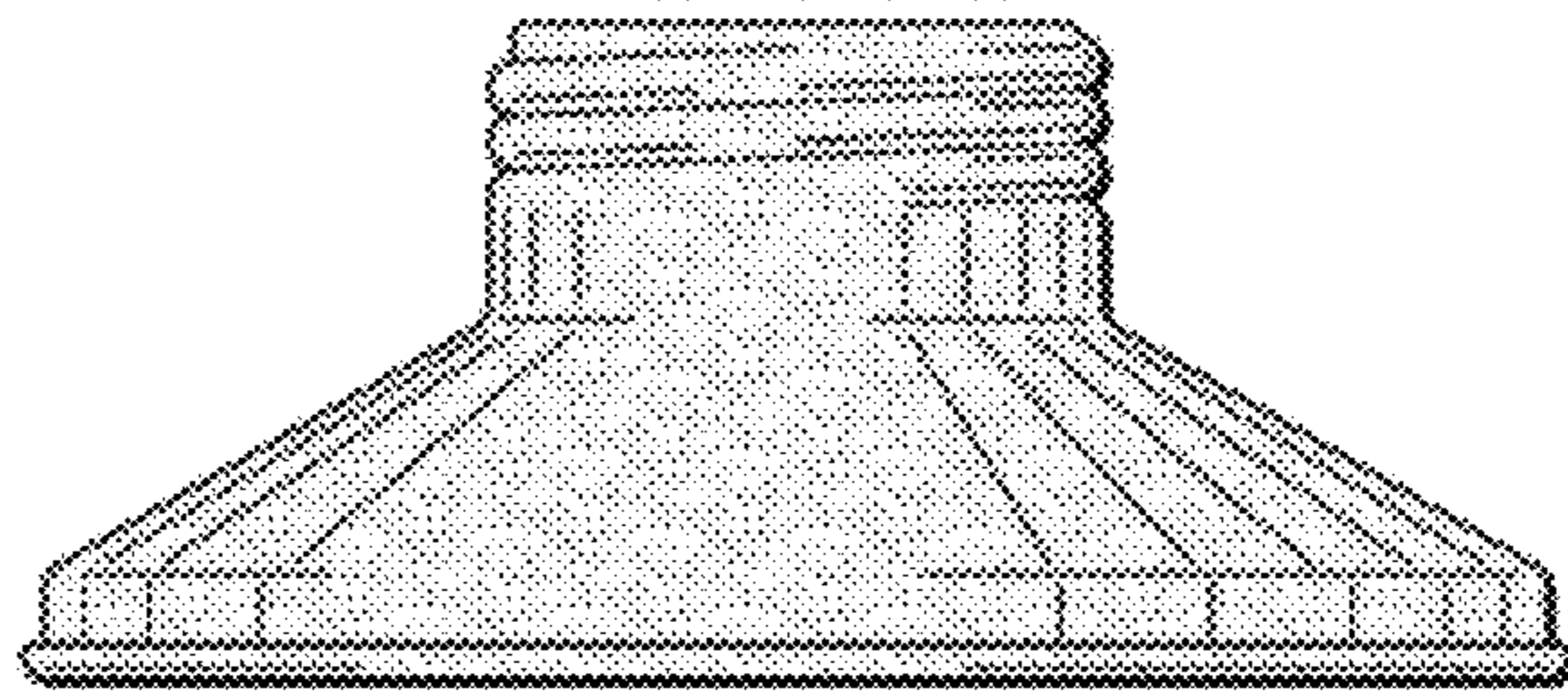


Fig. 4

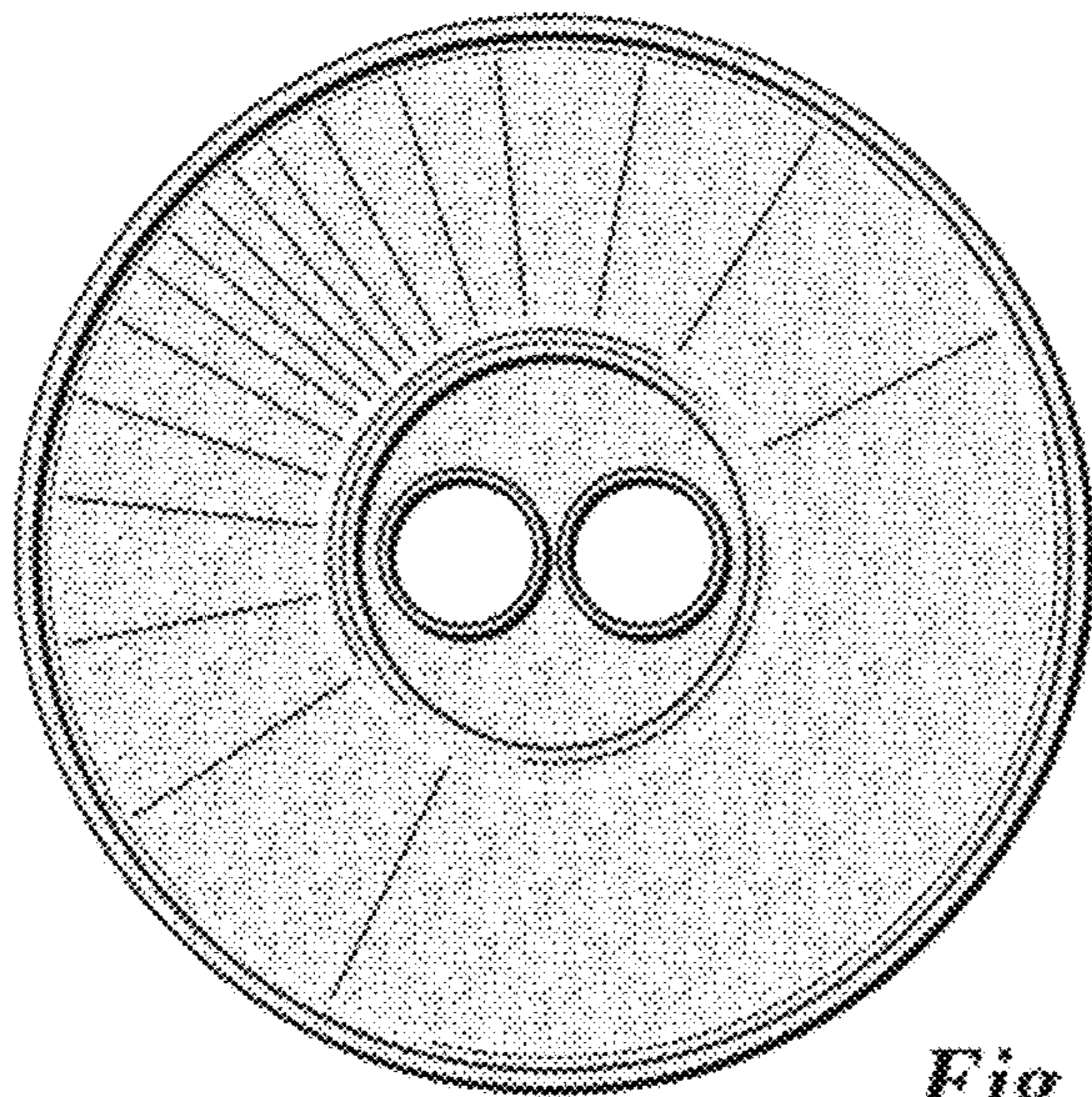


Fig. 5