



US00D670412S

(12) **United States Design Patent**
Parker et al.

(10) **Patent No.:** **US D670,412 S**

(45) **Date of Patent:** **** Nov. 6, 2012**

(54) **LIGHT BULB**

D647,646 S * 10/2011 Tsung D26/2
D648,453 S * 11/2011 Eckert et al. D26/2
2011/0234076 A1 9/2011 Simon et al.

(75) Inventors: **Jeffery R. Parker**, Richfield, OH (US);
Lukasz S. Poslowski, Middleburg
Heights, OH (US); **James T. Petroski**,
Parma, OH (US)

* cited by examiner

Primary Examiner — Marcus Jackson

(73) Assignee: **Rambus Inc.**, Sunnyvale, CA (US)

(74) *Attorney, Agent, or Firm* — Renner, Otto, Boisselle &
Sklar, LLP

(**) Term: **14 Years**

(57) **CLAIM**

(21) Appl. No.: **29/410,378**

The ornamental design for a light bulb, as shown and
described.

(22) Filed: **Jan. 6, 2012**

DESCRIPTION

(51) **LOC (9) Cl.** **26-04**

(52) **U.S. Cl.** **D26/2**

(58) **Field of Classification Search** D26/1-4;
313/313, 315, 316, 317, 318, 493; 315/52,
315/53, 56, 57, 58

See application file for complete search history.

FIG. 1 is a perspective view of a light bulb showing our new
design;
FIG. 2 is a top view thereof;
FIG. 3 is a bottom view thereof;
FIG. 4 is a front view thereof;
FIG. 5 is a rear view thereof;
FIG. 6 is a left side view thereof; and,
FIG. 7 is a right side view thereof

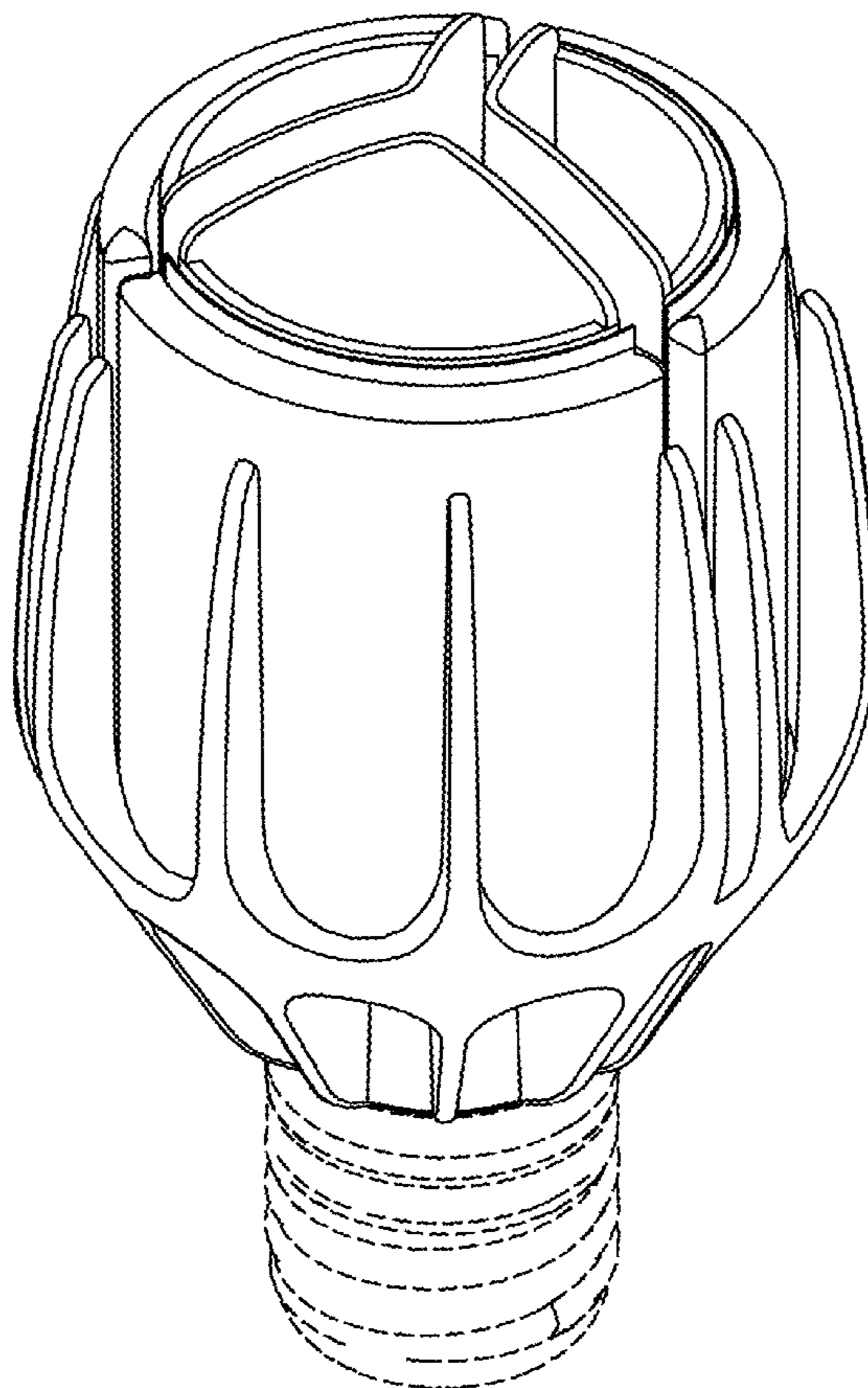
(56) **References Cited**

The broken lines herein show environmental structure and
form no part of the claimed design.

U.S. PATENT DOCUMENTS

D626,257 S * 10/2010 Pickard D26/2
D646,809 S * 10/2011 Shi D26/2
D647,638 S * 10/2011 Eckert et al. D26/2

1 Claim, 4 Drawing Sheets



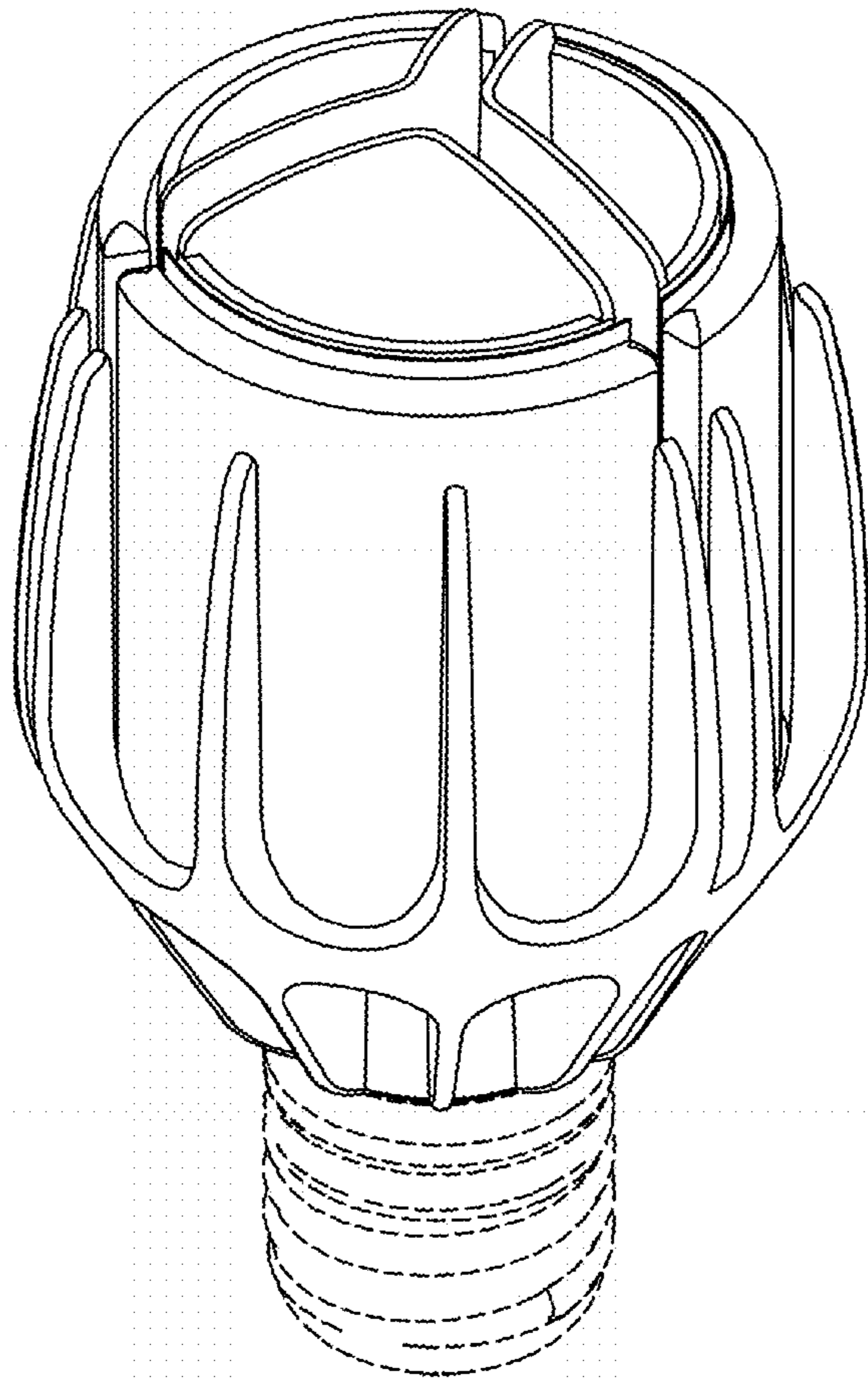


FIG. 1

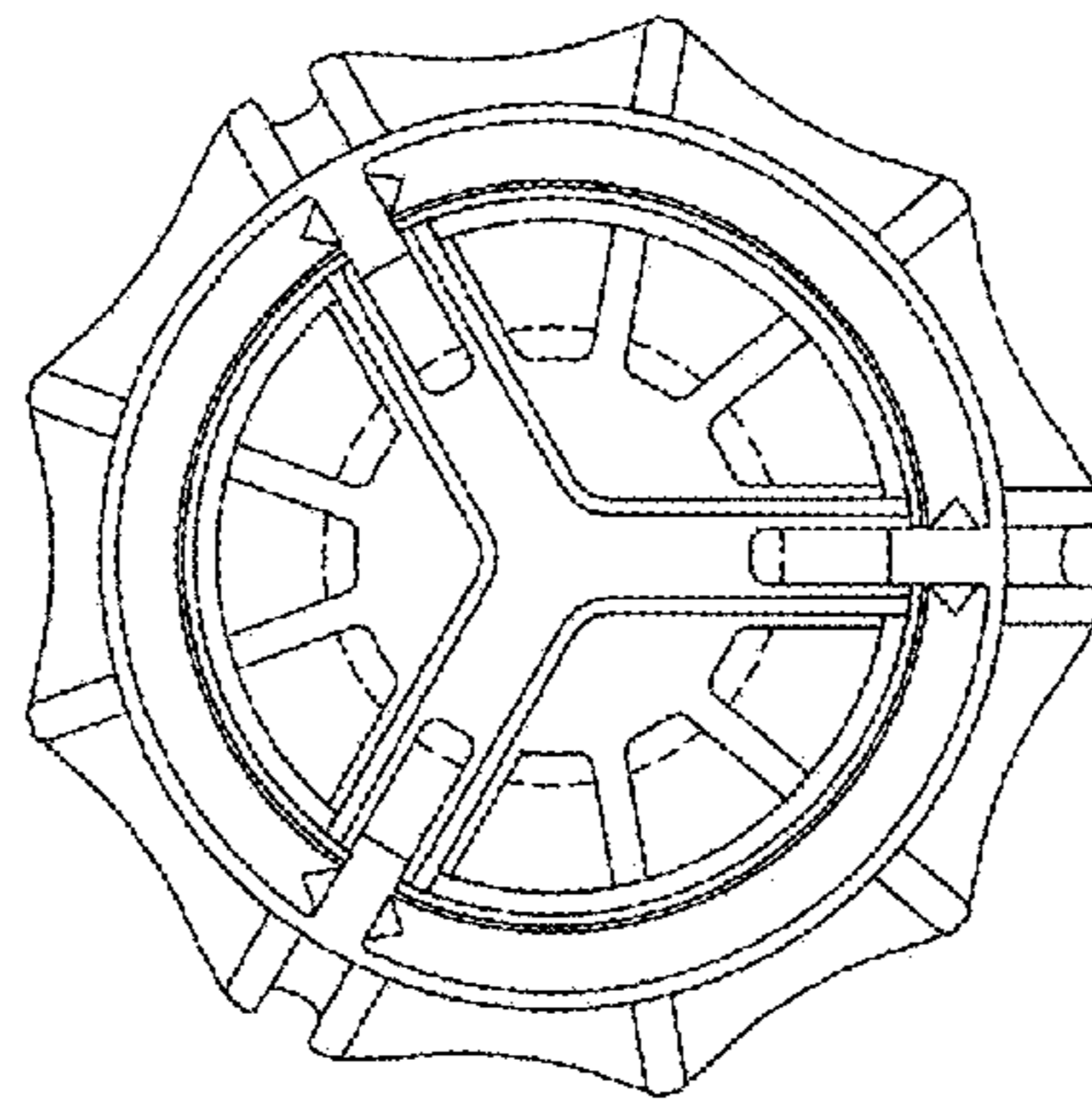


FIG. 2

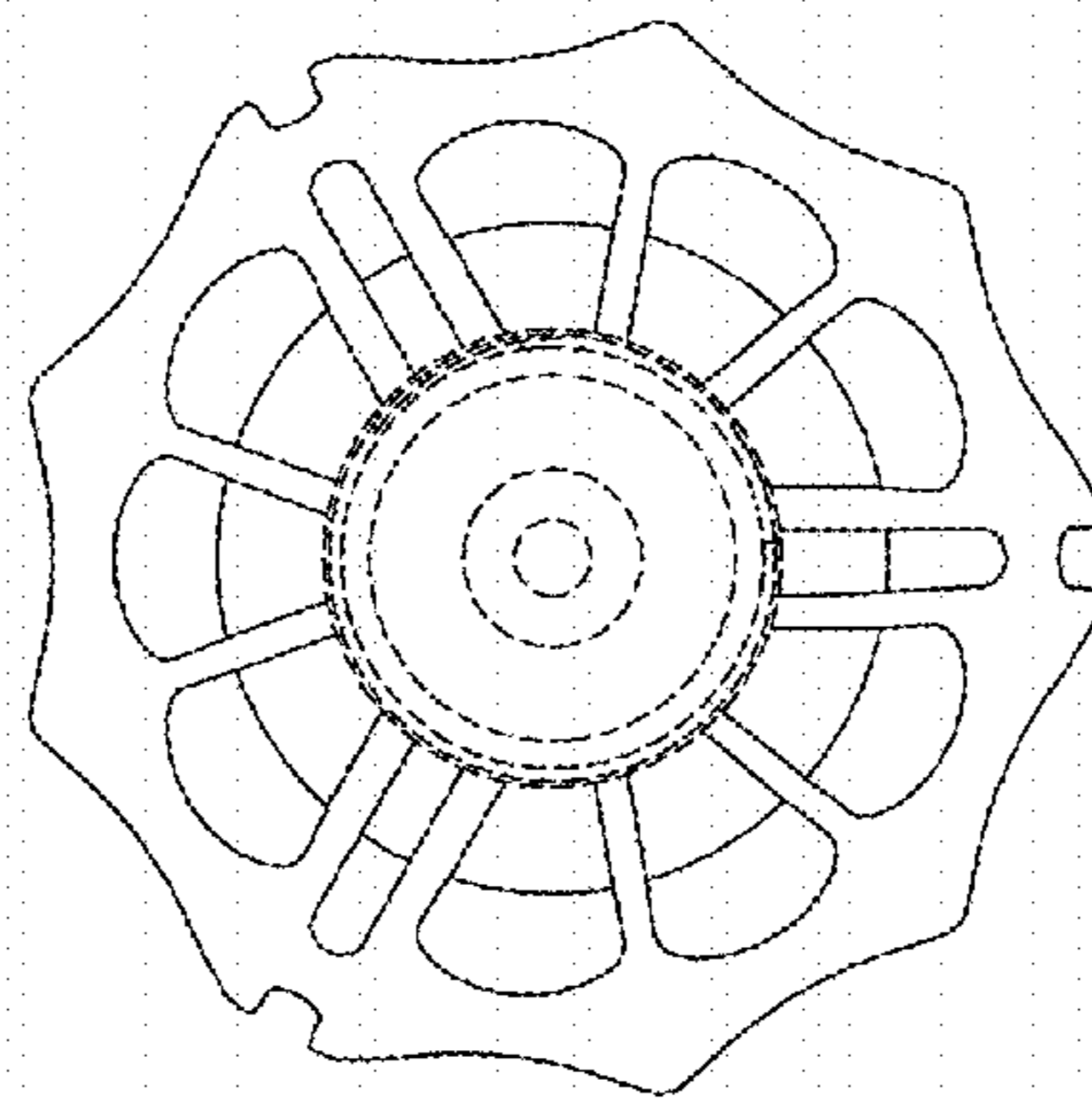


FIG. 3

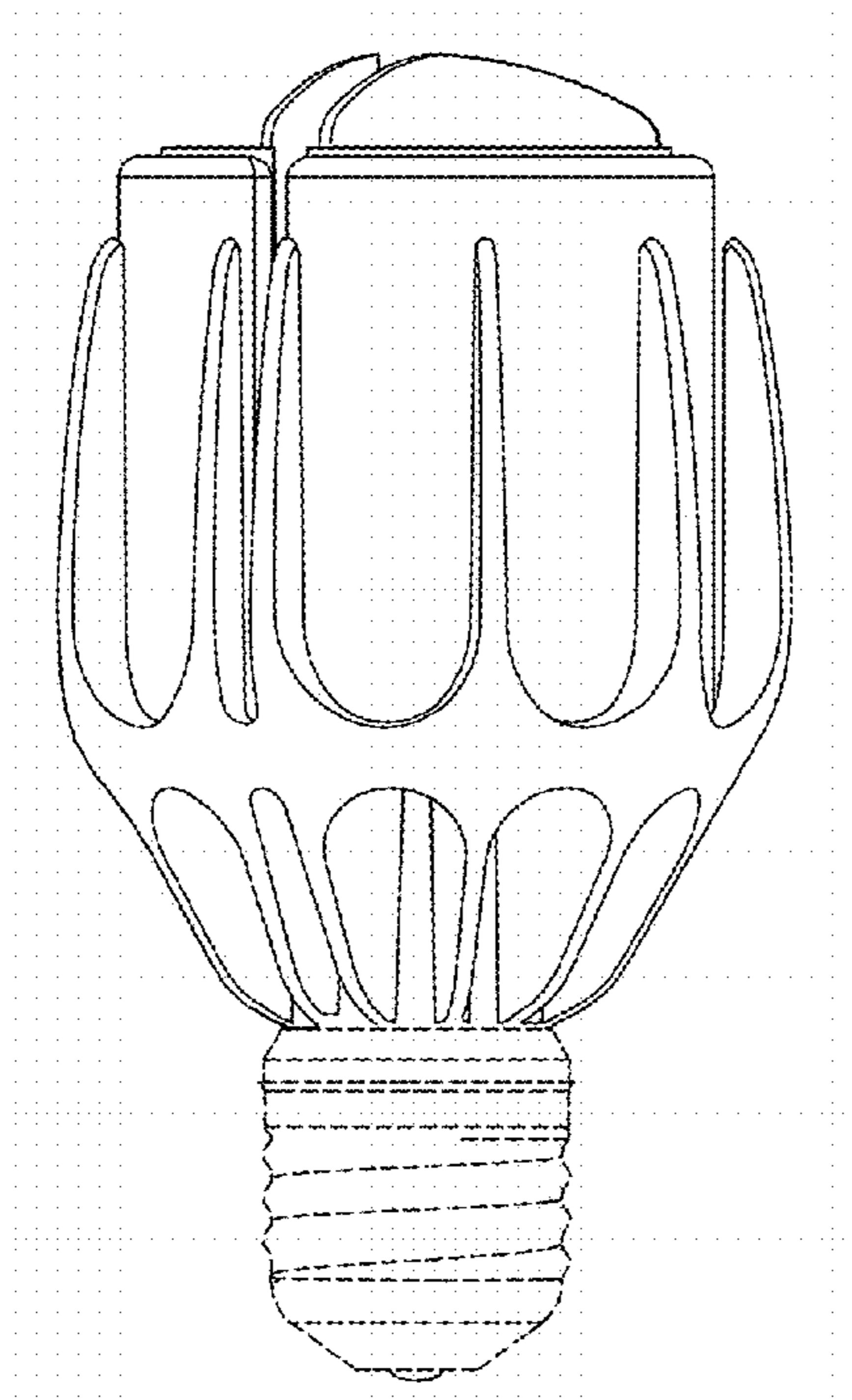


FIG. 4

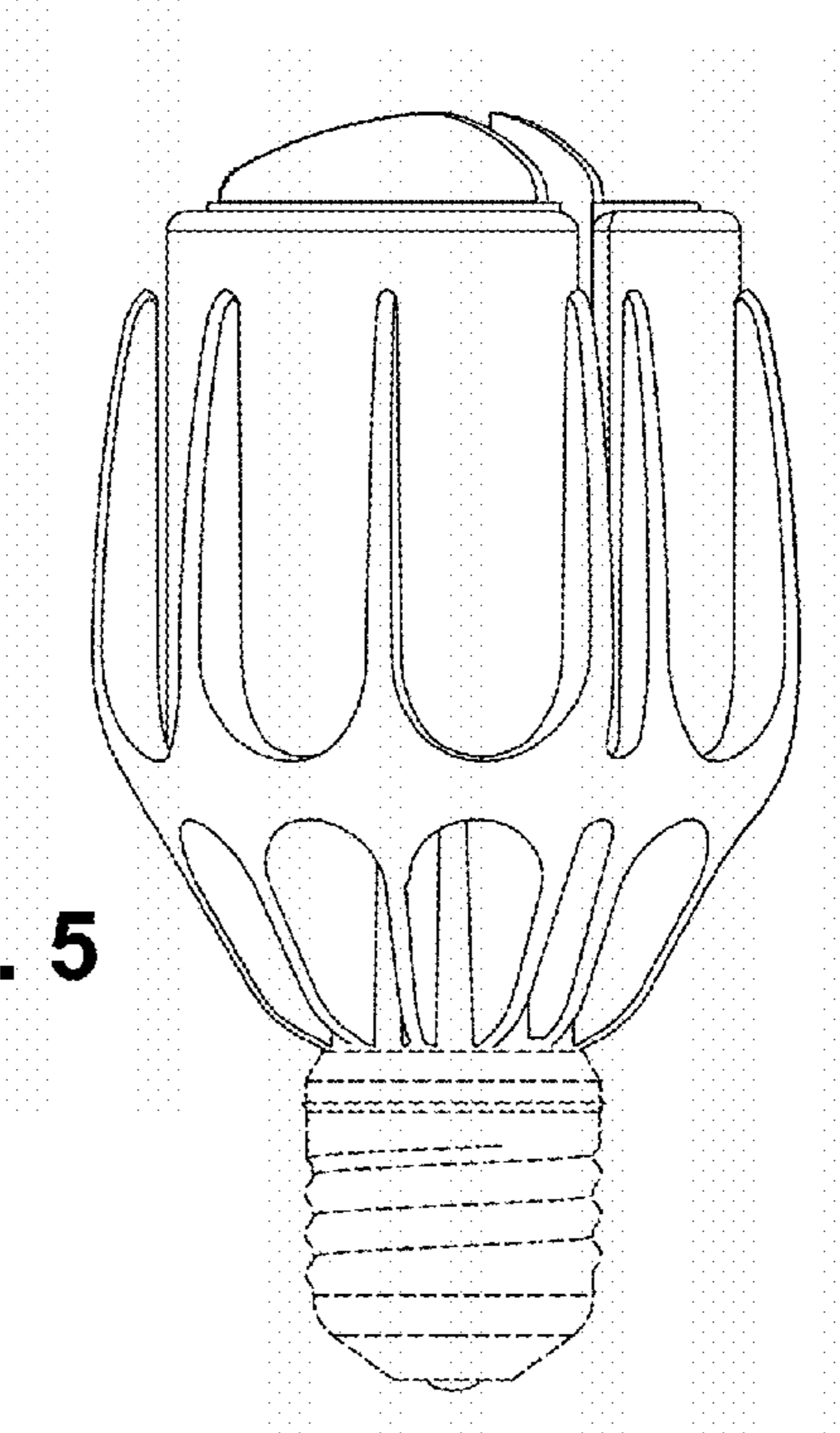


FIG. 5

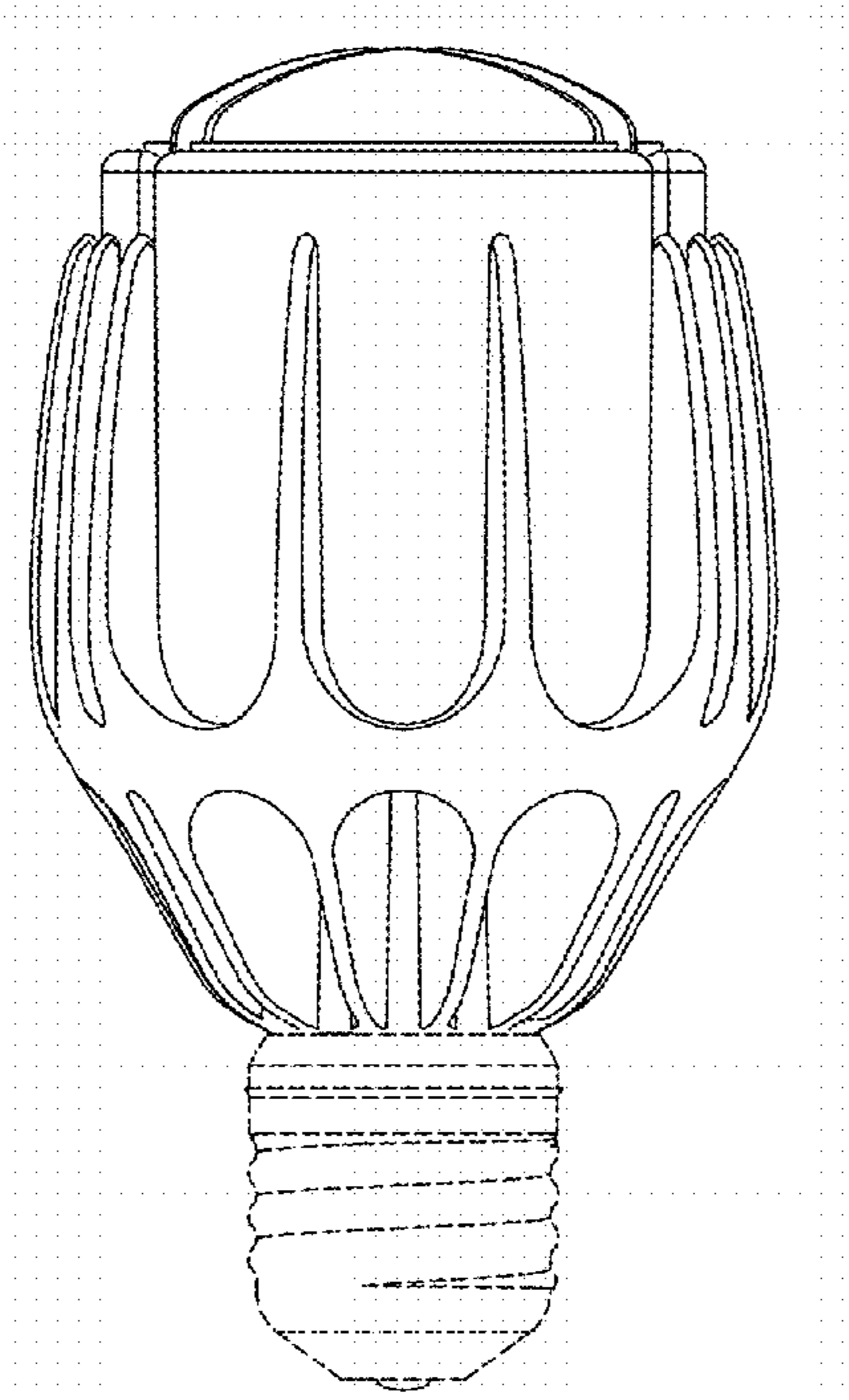


FIG. 6

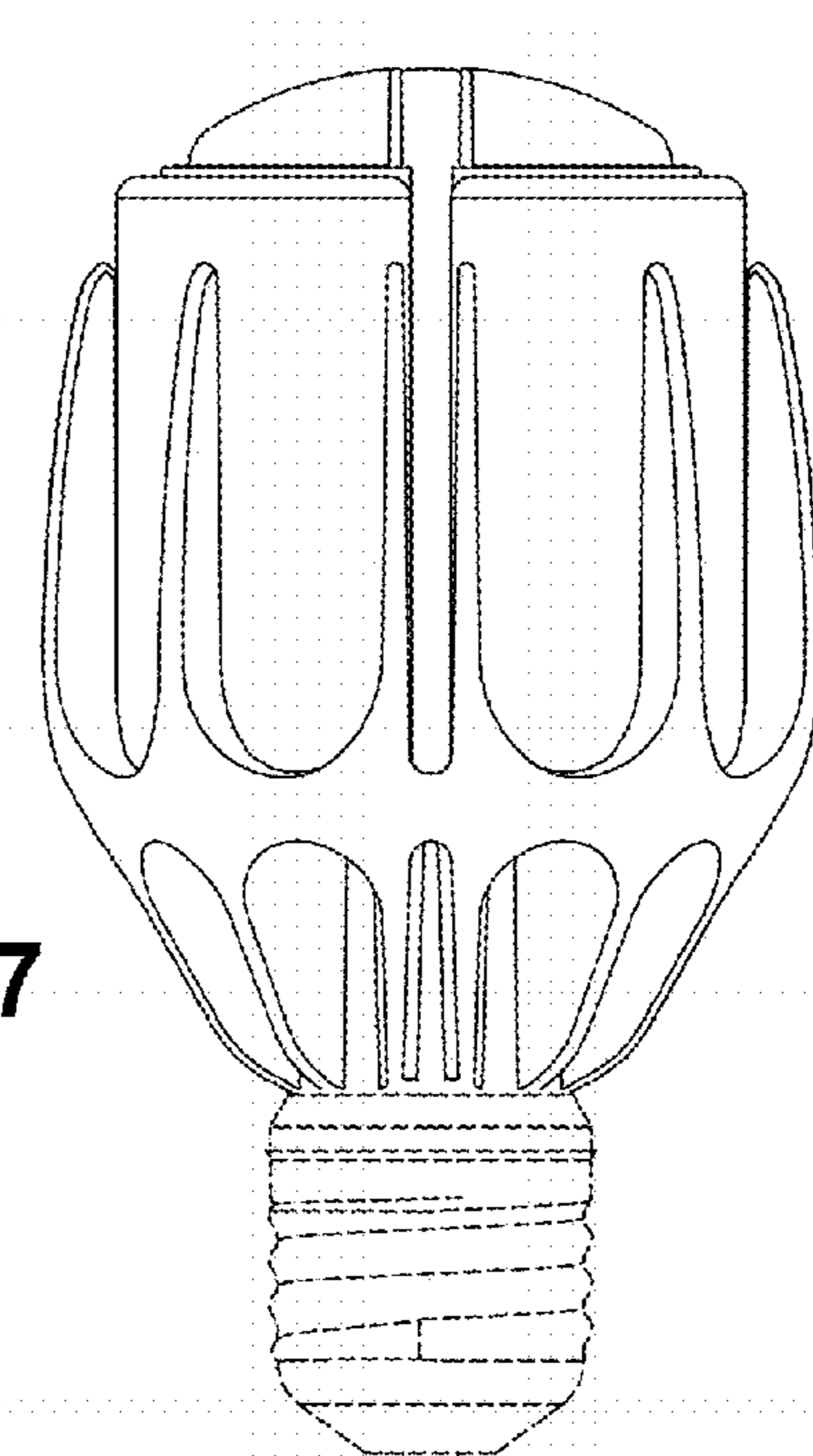


FIG. 7