



US00D670411S

(12) **United States Design Patent**
Foo

(10) **Patent No.:** **US D670,411 S**

(45) **Date of Patent:** **** *Nov. 6, 2012**

(54) **LAMP**

(75) Inventor: **Onn Fah Foo**, Kowloon (HK)

(73) Assignee: **Mass Technology (H.K.) Limited**,
Kowloon, Hong Kong (CN)

(*) Notice: This patent is subject to a terminal disclaimer.

(**) Term: **14 Years**

(21) Appl. No.: **29/392,689**

(22) Filed: **May 25, 2011**

(30) **Foreign Application Priority Data**

Nov. 25, 2010 (HK) 1002207

(51) **LOC (9) Cl.** **26-04**

(52) **U.S. Cl.** **D26/2**

(58) **Field of Classification Search** D26/1-4;
313/313, 315, 316, 317, 318, 493; 315/52,
315/53, 56, 57, 58

See application file for complete search history.

(56) **References Cited**

U.S. PATENT DOCUMENTS

D443,703	S	*	6/2001	Sood	D26/2
D506,840	S	*	6/2005	Van de Ven et al.	D26/2
D528,674	S	*	9/2006	Gonzalez	D26/2
D538,953	S	*	3/2007	Mama	D26/2
D540,961	S	*	4/2007	Hrubowchak et al.	D26/2
D548,369	S	*	8/2007	Bembridge	D26/2
D550,864	S	*	9/2007	Hernandez et al.	D26/2

* cited by examiner

Primary Examiner — Marcus Jackson

(74) *Attorney, Agent, or Firm* — McNeely, Hare & War LLP;
Kevin J. McNeely

(57) **CLAIM**

The ornamental design for a lamp, as shown and described.

DESCRIPTION

FIG. 1 is a perspective view of the lamp, showing the new design;

FIG. 2 is a front view of the lamp;

FIG. 3 is a rear view of the lamp;

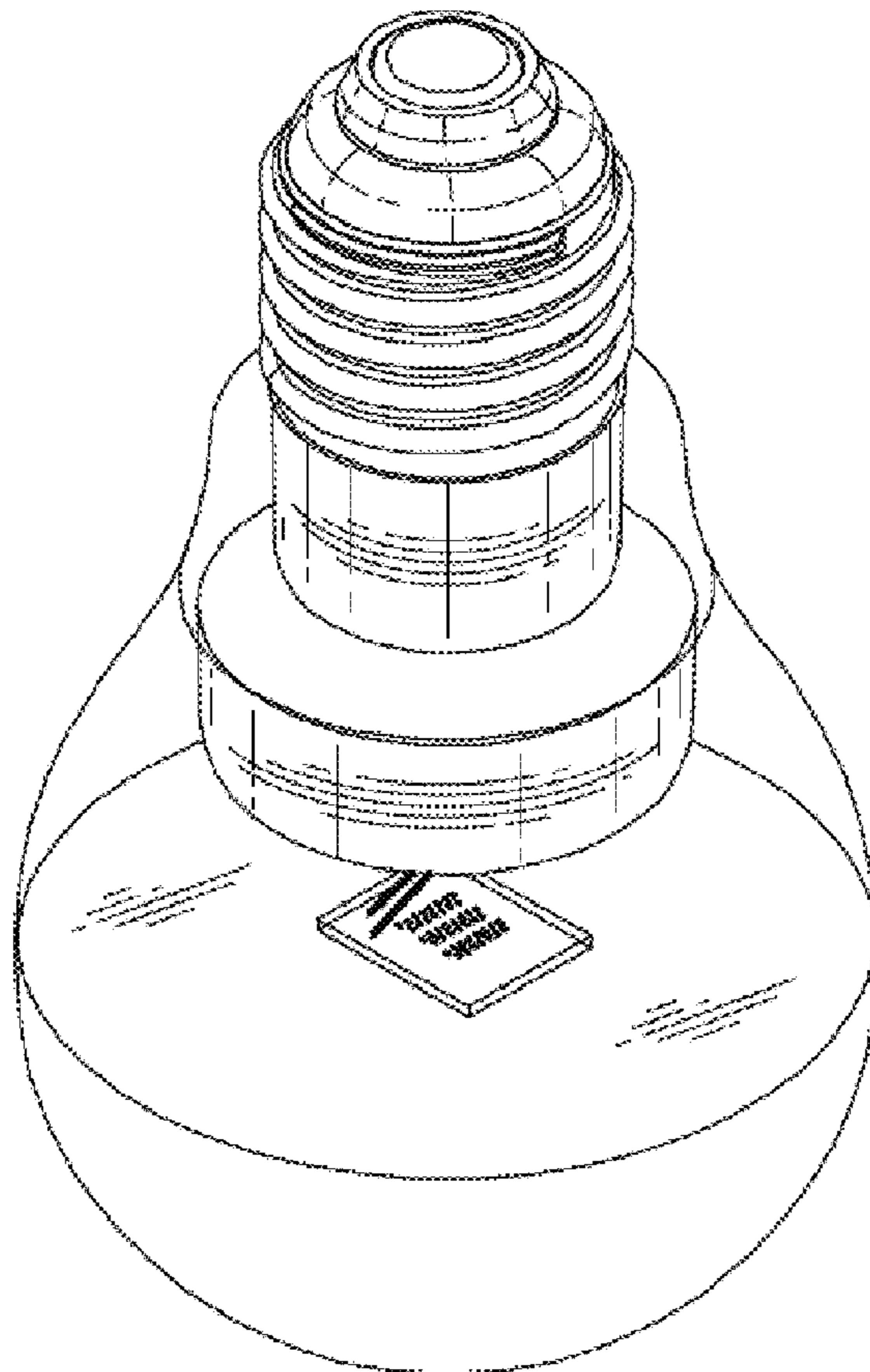
FIG. 4 is a left view of the lamp;

FIG. 5 is a right view of the lamp;

FIG. 6 is a top view of the lamp; and,

FIG. 7 is a bottom view of the lamp.

1 Claim, 7 Drawing Sheets



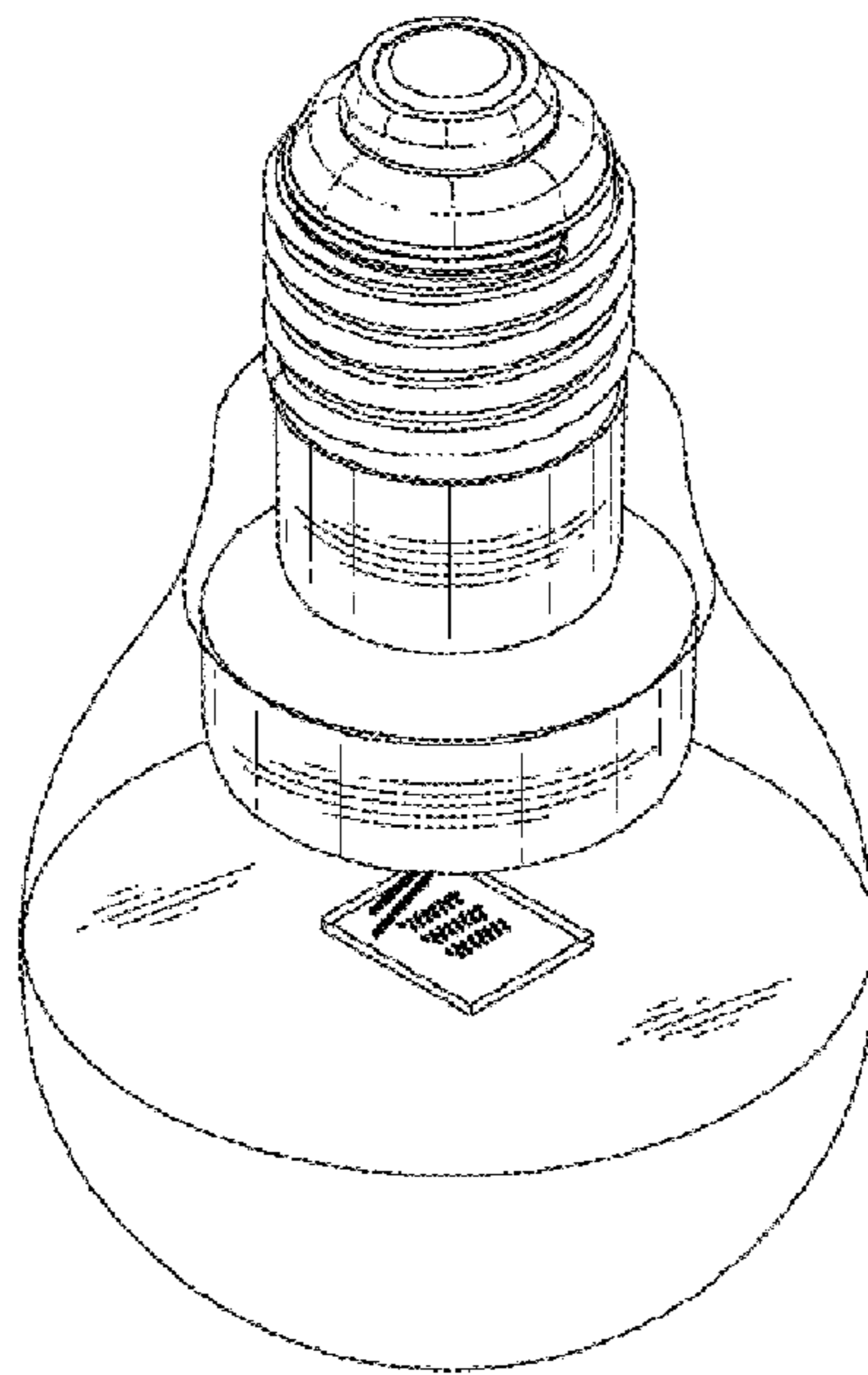


FIG. 1

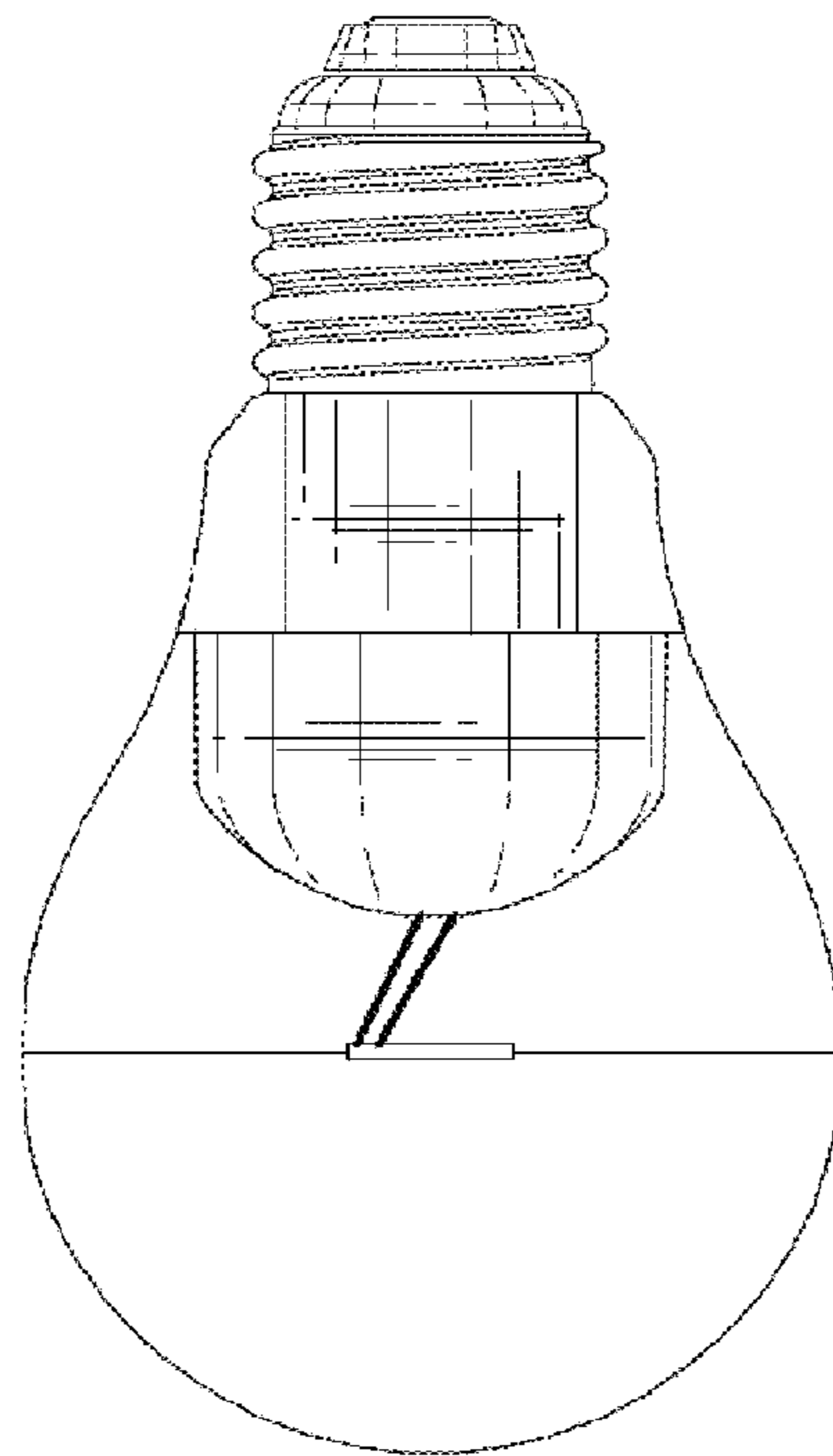


FIG. 2

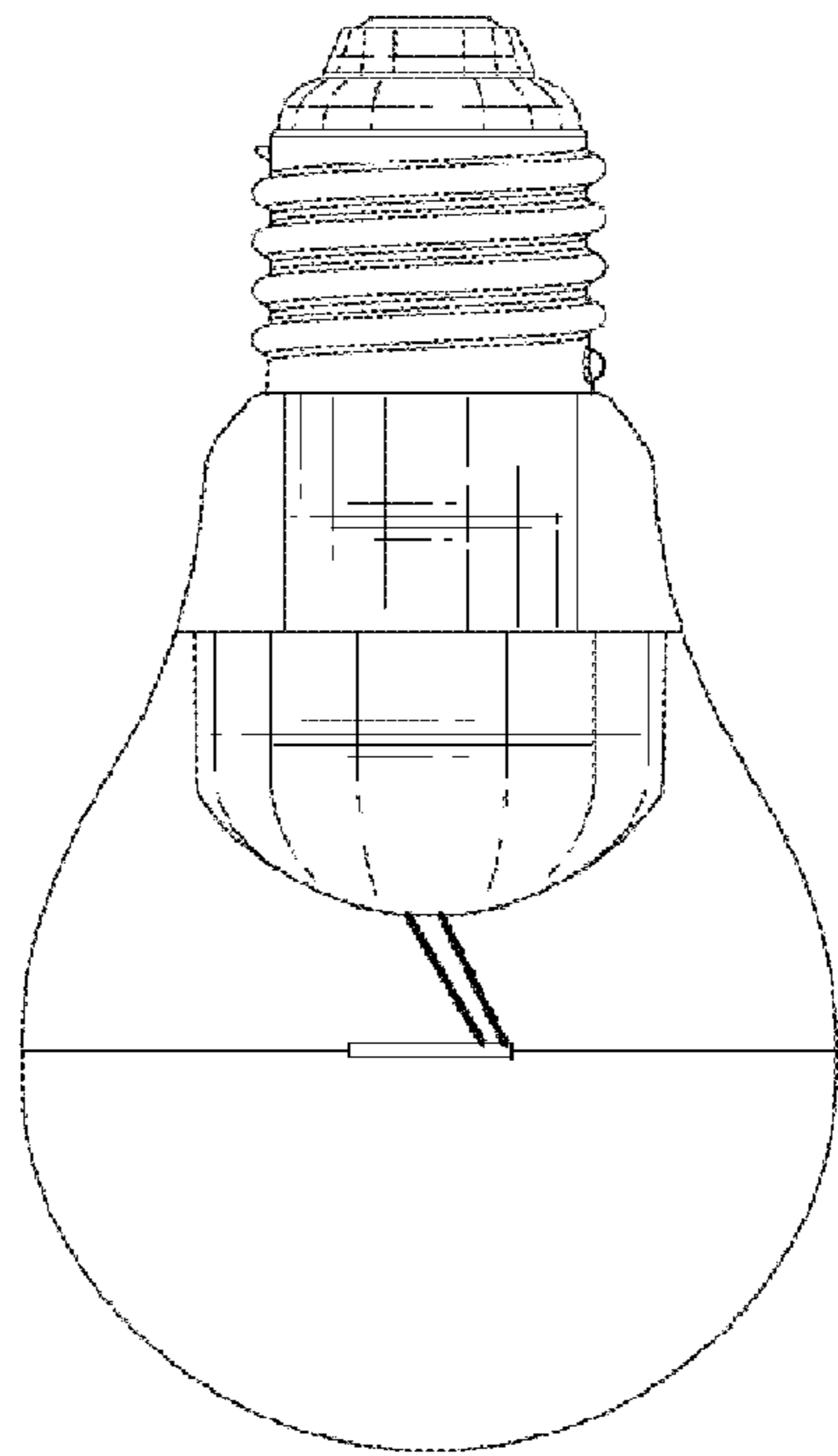


FIG. 3

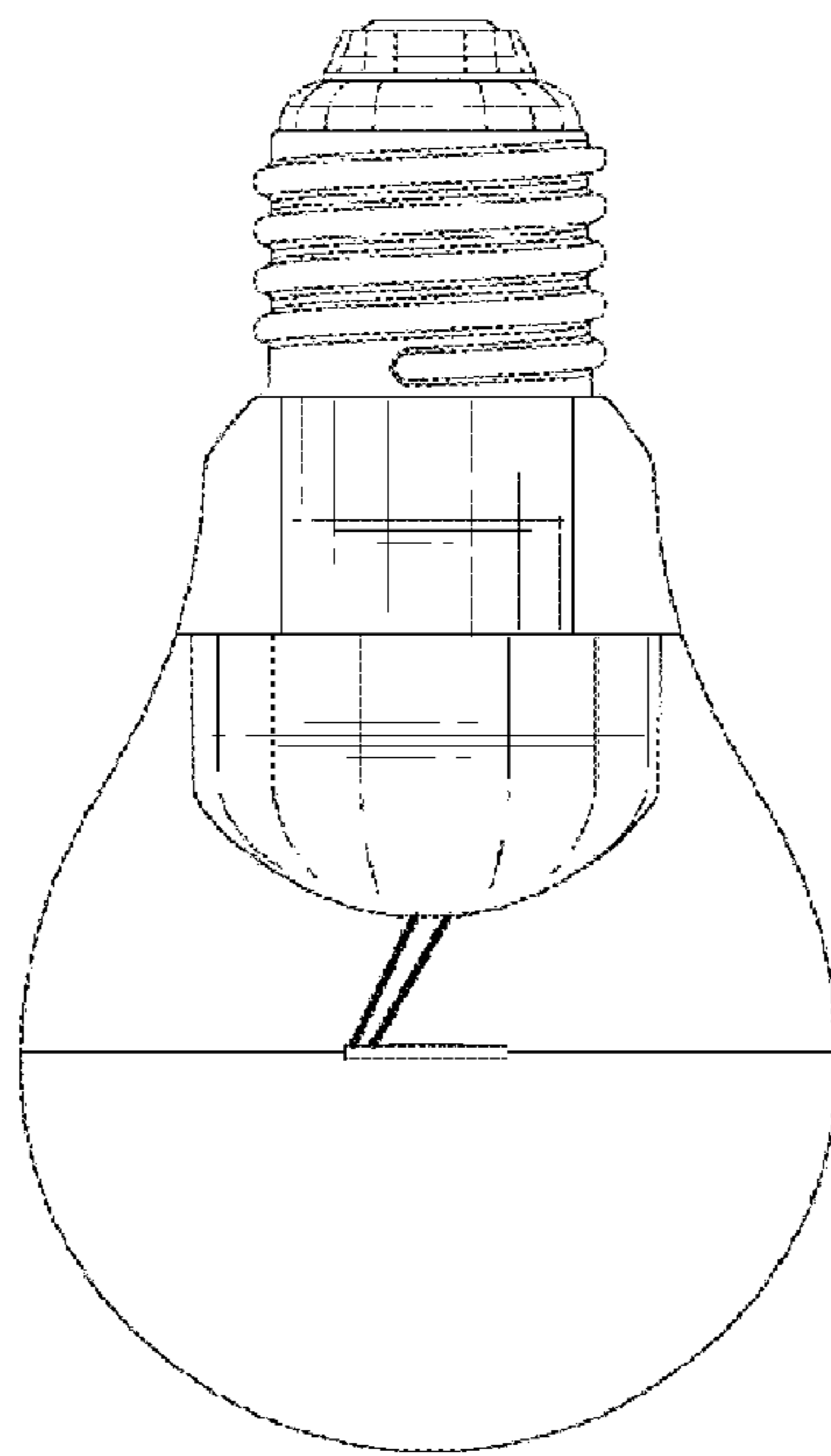


FIG. 4

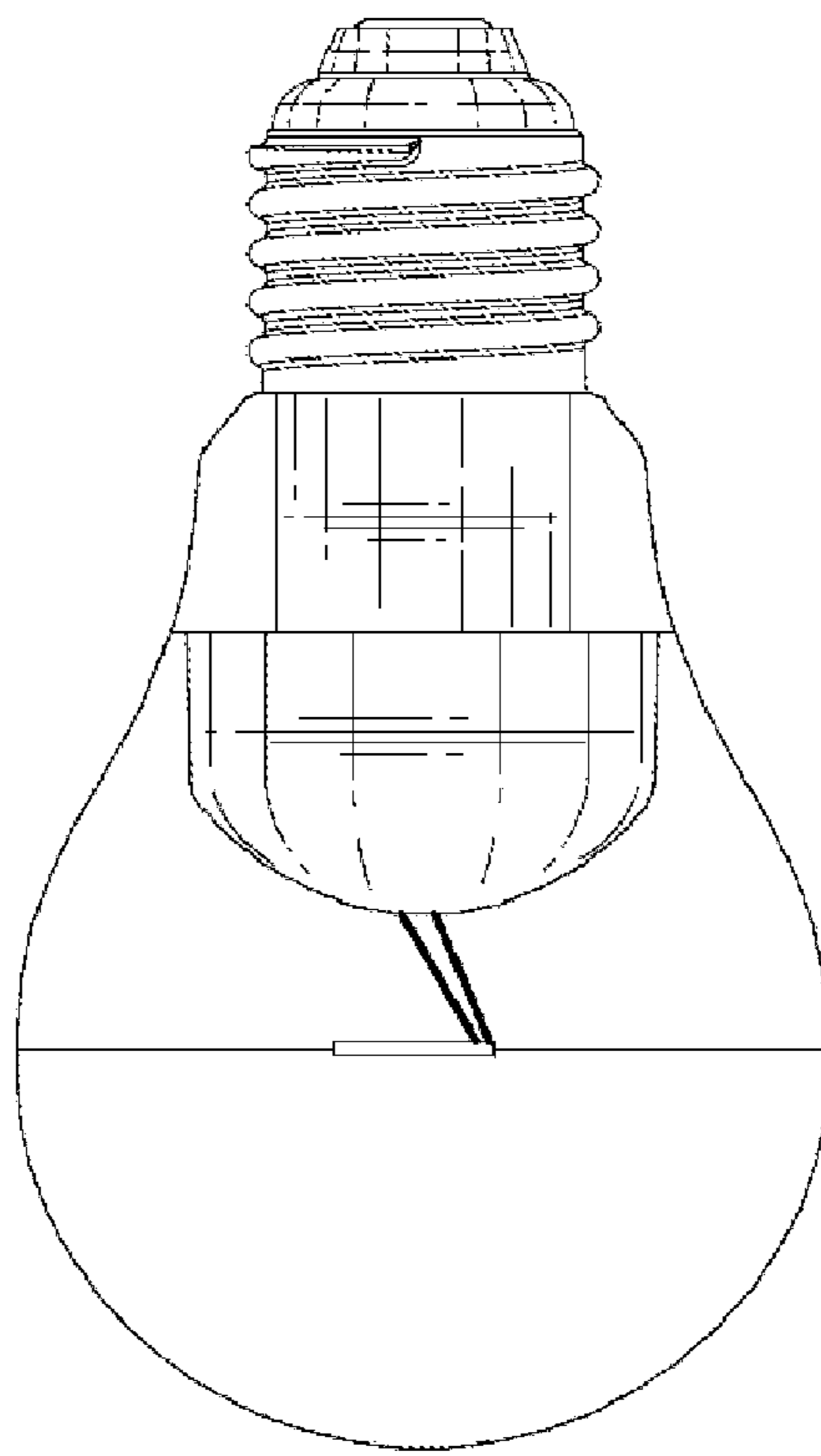


FIG. 5

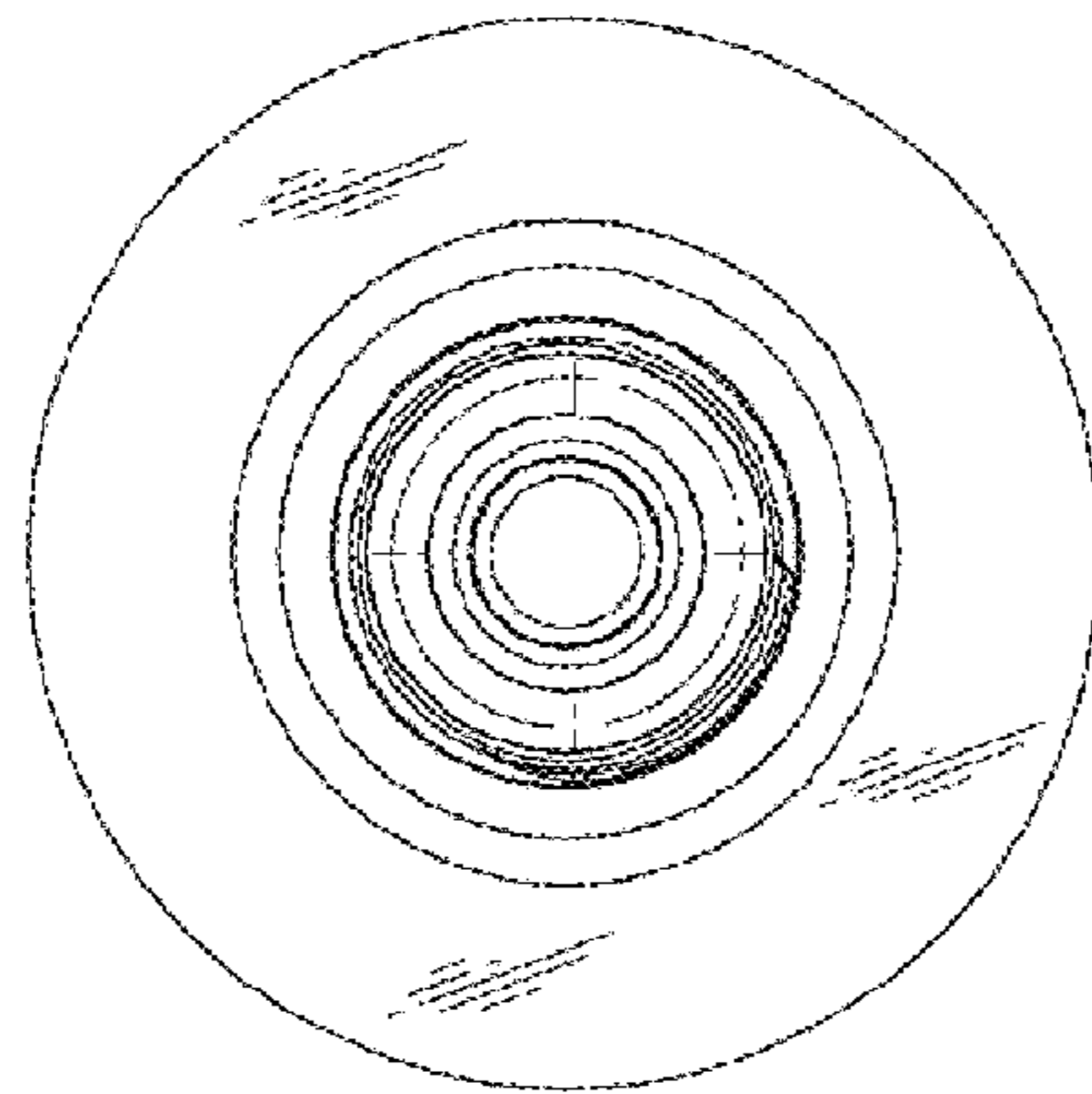


FIG. 6

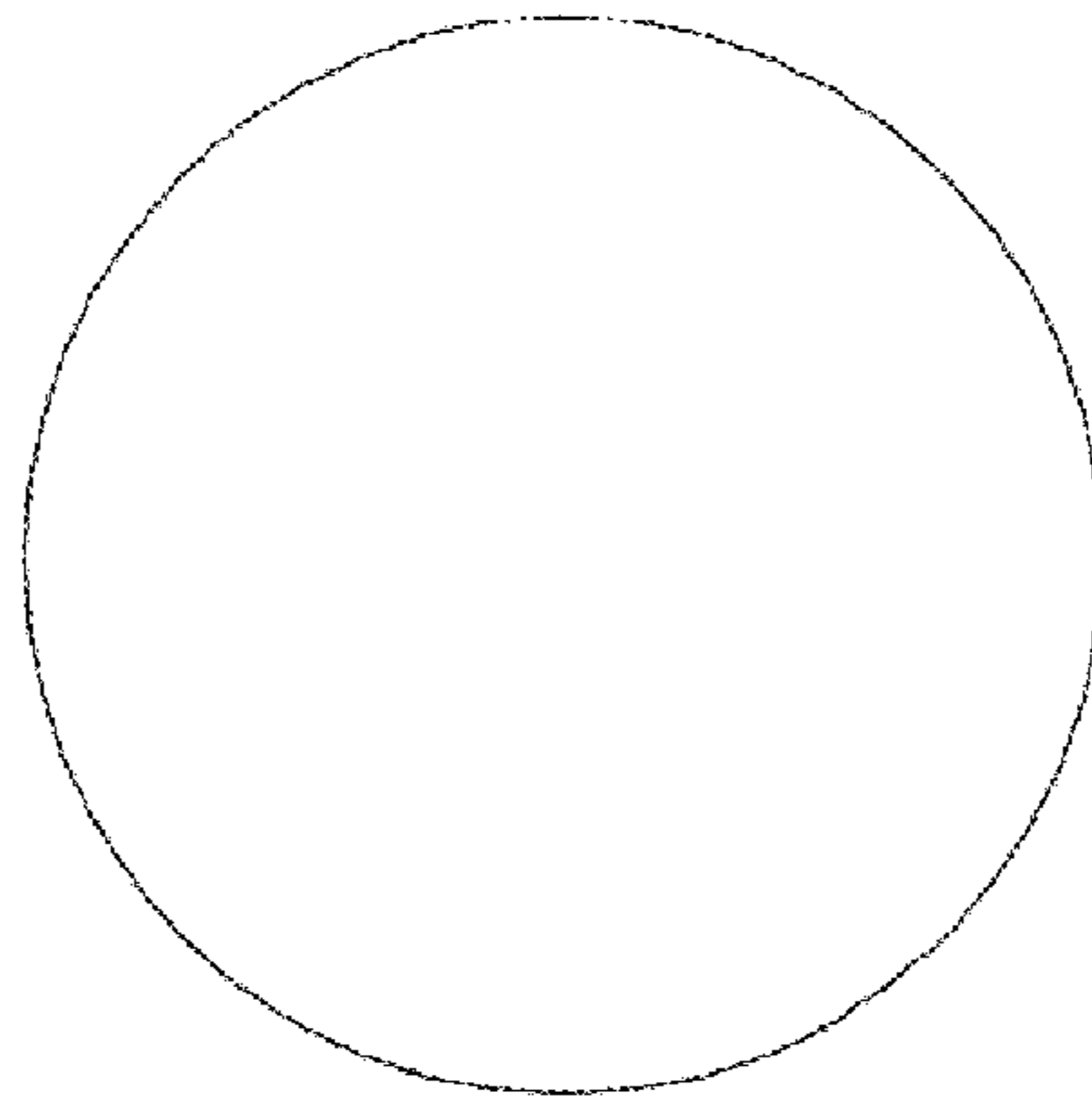


FIG. 7