



US00D670410S

(12) **United States Design Patent**
Van De Ven et al.

(10) **Patent No.:** **US D670,410 S**
(45) **Date of Patent:** **** Nov. 6, 2012**

- (54) **LAMP**
- (75) Inventors: **Antony Paul Van De Ven**, Hong Kong (CN); **Gerald H. Negley**, Durham, NC (US)
- (73) Assignee: **Cree, Inc.**, Durham, NC (US)
- (**) Term: **14 Years**
- (21) Appl. No.: **29/379,208**
- (22) Filed: **Nov. 16, 2010**

Related U.S. Application Data

- (63) Continuation of application No. 12/469,828, filed on May 21, 2009.
 - (51) **LOC (9) Cl.** **26-04**
 - (52) **U.S. Cl.** **D26/2**
 - (58) **Field of Classification Search** D26/1-4;
313/313, 315, 316, 317, 318, 493; 315/52,
315/53, 56, 57, 58
- See application file for complete search history.

References Cited

U.S. PATENT DOCUMENTS

3,541,504	A	11/1970	Bush
4,918,487	A	4/1990	Coulter, Jr.
5,631,190	A	5/1997	Negley
5,912,477	A	6/1999	Negley
5,924,785	A	7/1999	Zhang et al.
6,149,283	A	11/2000	Conway et al.
6,234,648	B1	5/2001	Borner et al.
6,577,073	B2	6/2003	Shimizu et al.
6,578,998	B2	6/2003	Zhang
6,600,175	B1	7/2003	Baretz et al.
6,637,921	B2	10/2003	Coushaine
6,672,741	B1	1/2004	Young
6,692,136	B2	2/2004	Marshall et al.

6,722,777	B2	4/2004	Erber	
6,767,112	B2	7/2004	Wu	
6,811,277	B2	11/2004	Amano	
D501,264	S *	1/2005	To et al.	D26/3
6,846,101	B2	1/2005	Coushaine	
6,893,140	B2	5/2005	Storey et al.	
6,899,443	B2	5/2005	Rizkin et al.	
6,945,672	B2	9/2005	Du et al.	
6,951,415	B2	10/2005	Amano et al.	
7,001,047	B2	2/2006	Holder et al.	
7,029,150	B2	4/2006	Finch	
D522,669	S *	6/2006	Kim	D26/3
7,097,334	B2	8/2006	Ishida et al.	
7,121,691	B2	10/2006	Coushaine et al.	
7,131,760	B2	11/2006	Mayer et al.	
7,178,937	B2	2/2007	McDermott	
7,214,952	B2	5/2007	Klipstein et al.	
7,230,280	B2	6/2007	Yaw et al.	
7,246,917	B2	7/2007	Rhoads et al.	
7,246,921	B2	7/2007	Jacobson et al.	
7,270,448	B1	9/2007	Maley, Sr.	
7,329,029	B2	2/2008	Chaves et al.	
D577,132	S *	9/2008	Itaya et al.	D26/3
D592,767	S *	5/2009	Muessli	D26/3

(Continued)

FOREIGN PATENT DOCUMENTS

DE 26 48 686 A1 5/1978

(Continued)

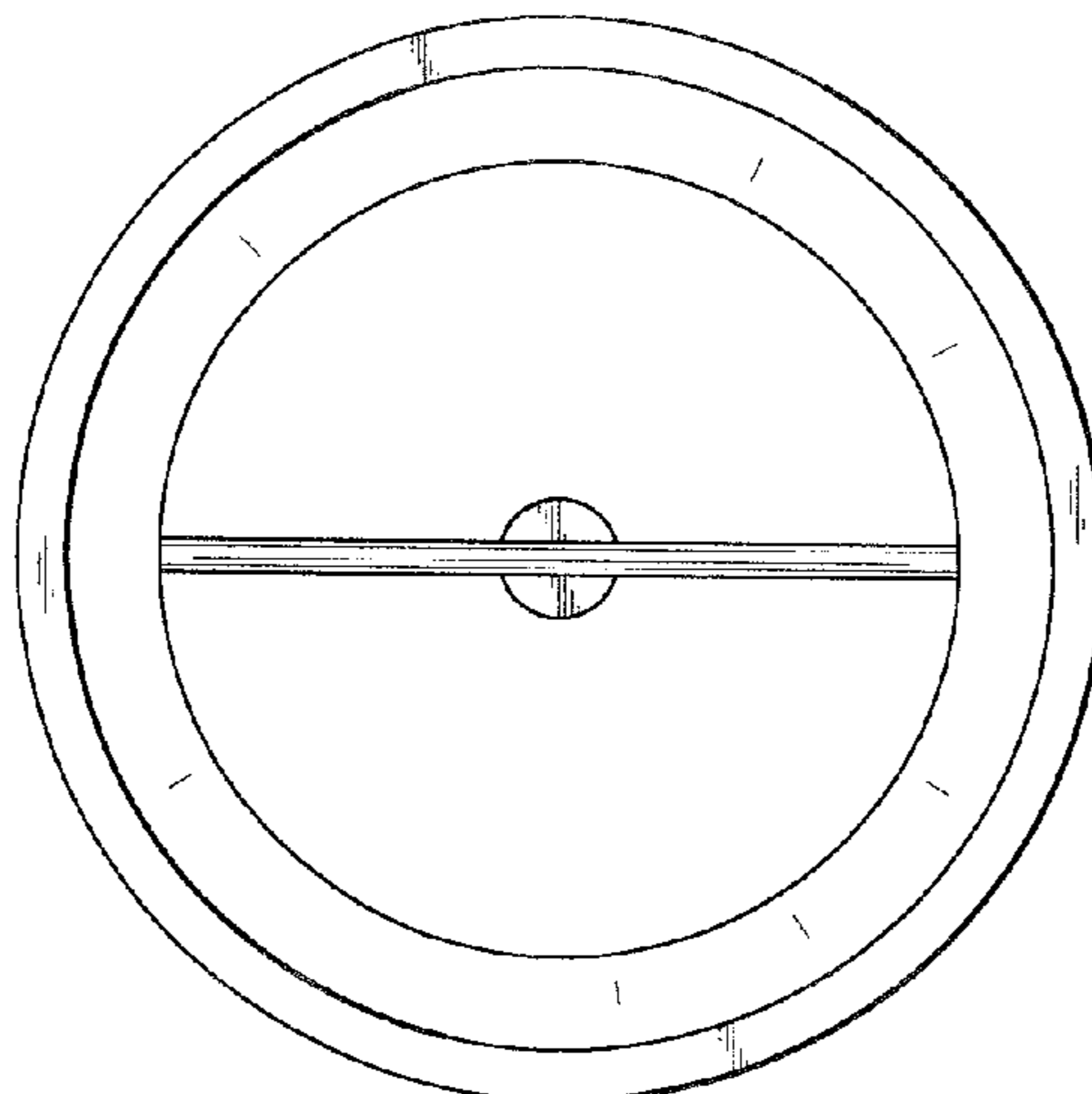
Primary Examiner — Marcus Jackson
(74) *Attorney, Agent, or Firm* — Burr & Brown

(57) **CLAIM**
The ornamental design for a lamp, as shown and described.

DESCRIPTION

The FIGURE is a bottom plan view of a lamp showing our new design.

1 Claim, 1 Drawing Sheet



US D670,410 S

Page 2

U.S. PATENT DOCUMENTS

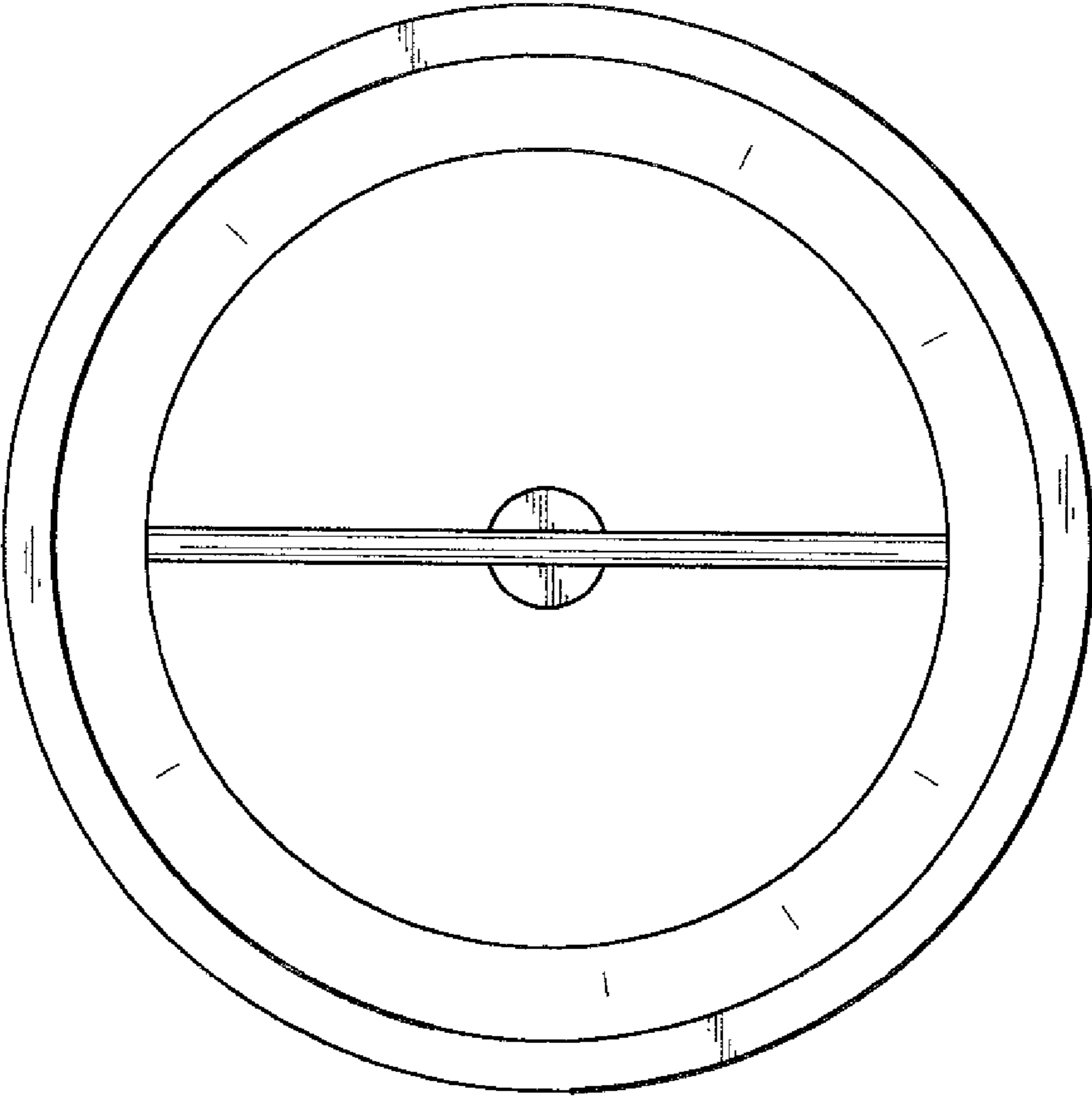
D597,227	S *	7/2009	Kim et al.	D26/3
D633,228	S *	2/2011	Wang et al.	D26/3
2002/0024818	A1	2/2002	Kondo et al.	
2002/0136025	A1	9/2002	Zhang	
2003/0063475	A1	4/2003	Simmons	
2004/0114366	A1	6/2004	Smith et al.	
2004/0155565	A1	8/2004	Holder et al.	
2005/0092469	A1	5/2005	Huang	
2006/0087841	A1	4/2006	Chern et al.	
2006/0262524	A1	11/2006	Kah, Jr.	
2007/0045524	A1	3/2007	Rains, Jr. et al.	
2007/0189017	A1	8/2007	Hofmann	

2007/0236935	A1	10/2007	Wang
2008/0074885	A1	3/2008	Brands et al.
2008/0117637	A1	5/2008	Chang et al.
2008/0186704	A1	8/2008	Chou et al.
2008/0192477	A1	8/2008	Holder et al.
2010/0103678	A1	4/2010	Van de Ven
2010/0172152	A1	7/2010	Boonekamp

FOREIGN PATENT DOCUMENTS

WO	2007/022314	A2	2/2007
WO	2008/146229	A2	12/2008
WO	2009/107003	A1	9/2009

* cited by examiner



UNITED STATES PATENT AND TRADEMARK OFFICE
CERTIFICATE OF CORRECTION

PATENT NO. : D670,410 S
APPLICATION NO. : 29/379208
DATED : November 6, 2012
INVENTOR(S) : Antony Paul Van De Ven et al.

Page 1 of 1

It is certified that error appears in the above-identified patent and that said Letters Patent is hereby corrected as shown below:

Please add Item (60) U.S. Provisional application No. 61/108,149, filed Oct. 24, 2008.

Signed and Sealed this
Eighth Day of January, 2013

A handwritten signature in black ink that reads "David J. Kappos". The signature is written in a cursive style with a large initial "D" and "K".

David J. Kappos
Director of the United States Patent and Trademark Office