

US00D670397S

(12) **United States Design Patent**  
**Ely et al.**

(10) **Patent No.:** **US D670,397 S**

(45) **Date of Patent:** **\*\* Nov. 6, 2012**

(54) **REPLACEABLE CARTRIDGE FOR  
LIGHT-BASED DERMATOLOGIC  
TREATMENT DEVICES**

(75) Inventors: **Douglas Ely**, North Andover, MA (US);  
**Bikram Yonjan**, Somerville, MA (US);  
**Arthur Aaron**, Arlington, MA (US);  
**William Owens**, Framingham, MA  
(US); **Victor Lazarev**, Billerica, MA  
(US)

(73) Assignee: **Shaser, Inc.**, Lexington, MA (US)

(\*\*) Term: **14 Years**

(21) Appl. No.: **29/345,041**

(22) Filed: **Oct. 8, 2009**

(51) **LOC (9) Cl.** ..... **28-03**

(52) **U.S. Cl.** ..... **D24/209**

(58) **Field of Classification Search** ..... D24/210,  
D24/209, 200, 158, 216; 362/555, 545, 800,  
362/294, 249, 267; D26/29, 37, 39, 41, 104,  
D26/42; 606/2-4; 607/88-95; D14/188,  
D14/170, 172; D23/366

See application file for complete search history.

(56) **References Cited**

**U.S. PATENT DOCUMENTS**

D262,138 S \* 12/1981 Bousgarbies et al. .... D23/366  
D291,598 S \* 8/1987 Elkerbout ..... D24/210  
D325,098 S \* 3/1992 Osit et al. .... D26/37

D343,467 S \* 1/1994 Yuen ..... D26/42  
D364,936 S \* 12/1995 Leung ..... D26/42  
D366,521 S \* 1/1996 Wijaranakula ..... D23/366  
D367,933 S \* 3/1996 Sum ..... D26/42  
D374,924 S \* 10/1996 Cramer ..... D23/366  
D426,627 S \* 6/2000 Cho ..... D23/366  
D442,286 S \* 5/2001 Dumas ..... D24/210  
D562,958 S \* 2/2008 Feriani et al. .... D23/366  
D569,848 S \* 5/2008 Suzuki ..... D14/188  
D632,376 S \* 2/2011 Wu ..... D23/366

\* cited by examiner

*Primary Examiner* — David Muller

(74) *Attorney, Agent, or Firm* — Guerin & Rodriguez, LLP;  
Michael Rodriguez

(57) **CLAIM**

The ornamental design for a replaceable cartridge for light-based dermatologic treatment devices, as shown and described.

**DESCRIPTION**

FIG. 1 is a front elevation view of a replaceable cartridge for light-based dermatologic treatment devices showing the new design;

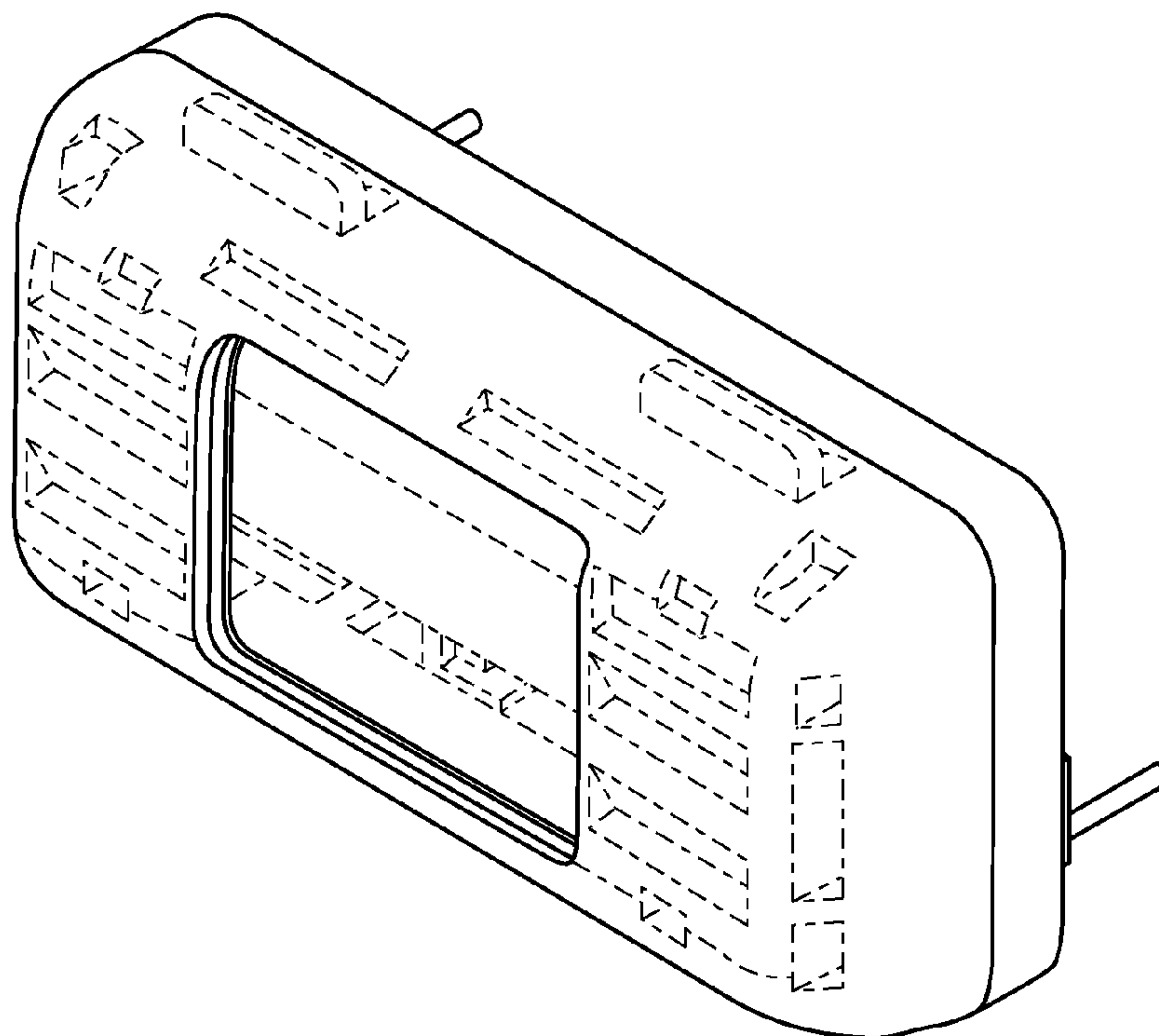
FIG. 2 is a front perspective view thereof;

FIG. 3 is a rear elevation view thereof; and,

FIG. 4 is a rear perspective view thereof.

The broken line showing of parts of the drawings is included for the purpose of illustrating use and environment and forms no part of the claimed design.

**1 Claim, 4 Drawing Sheets**



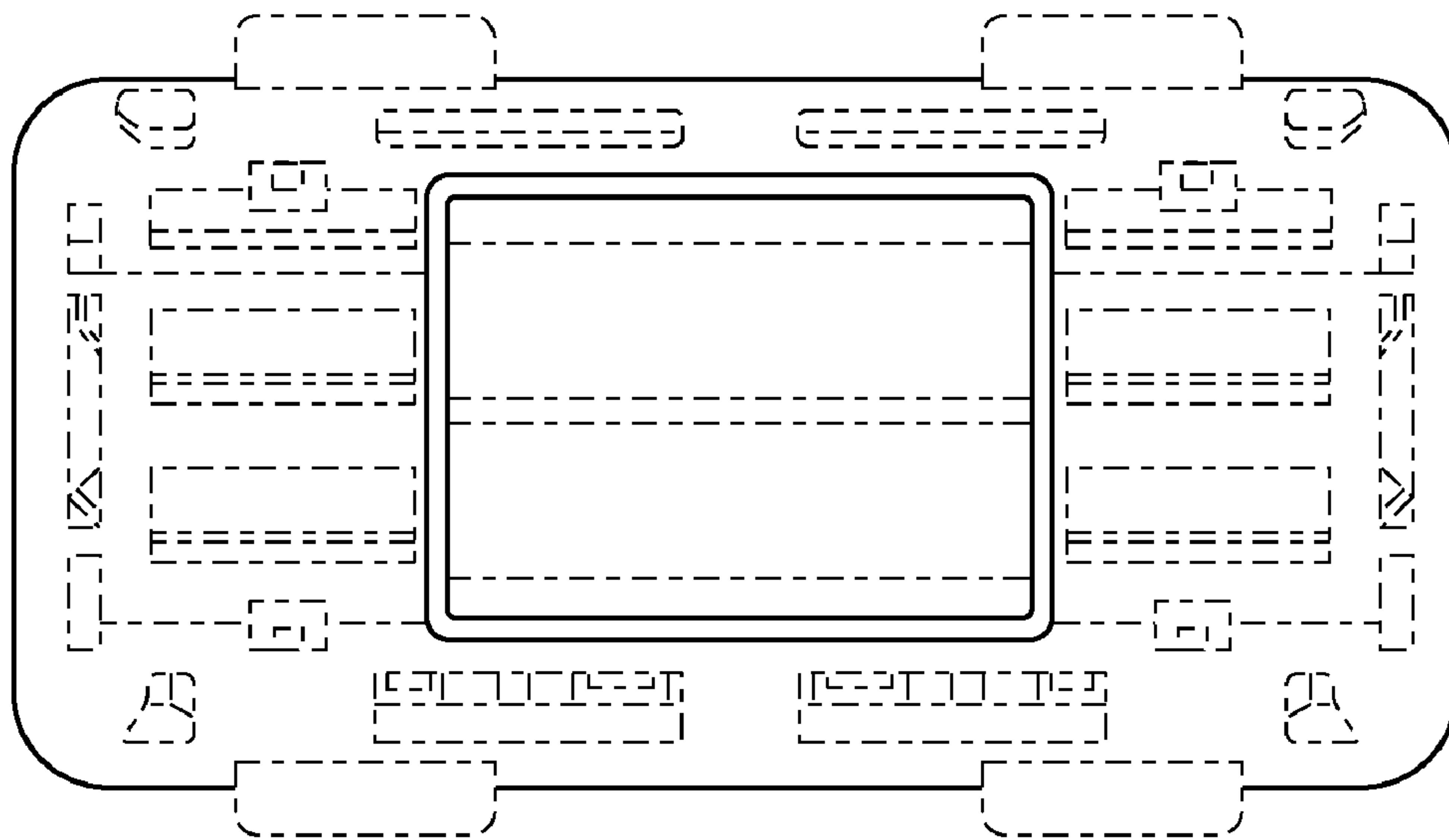


FIG. 1

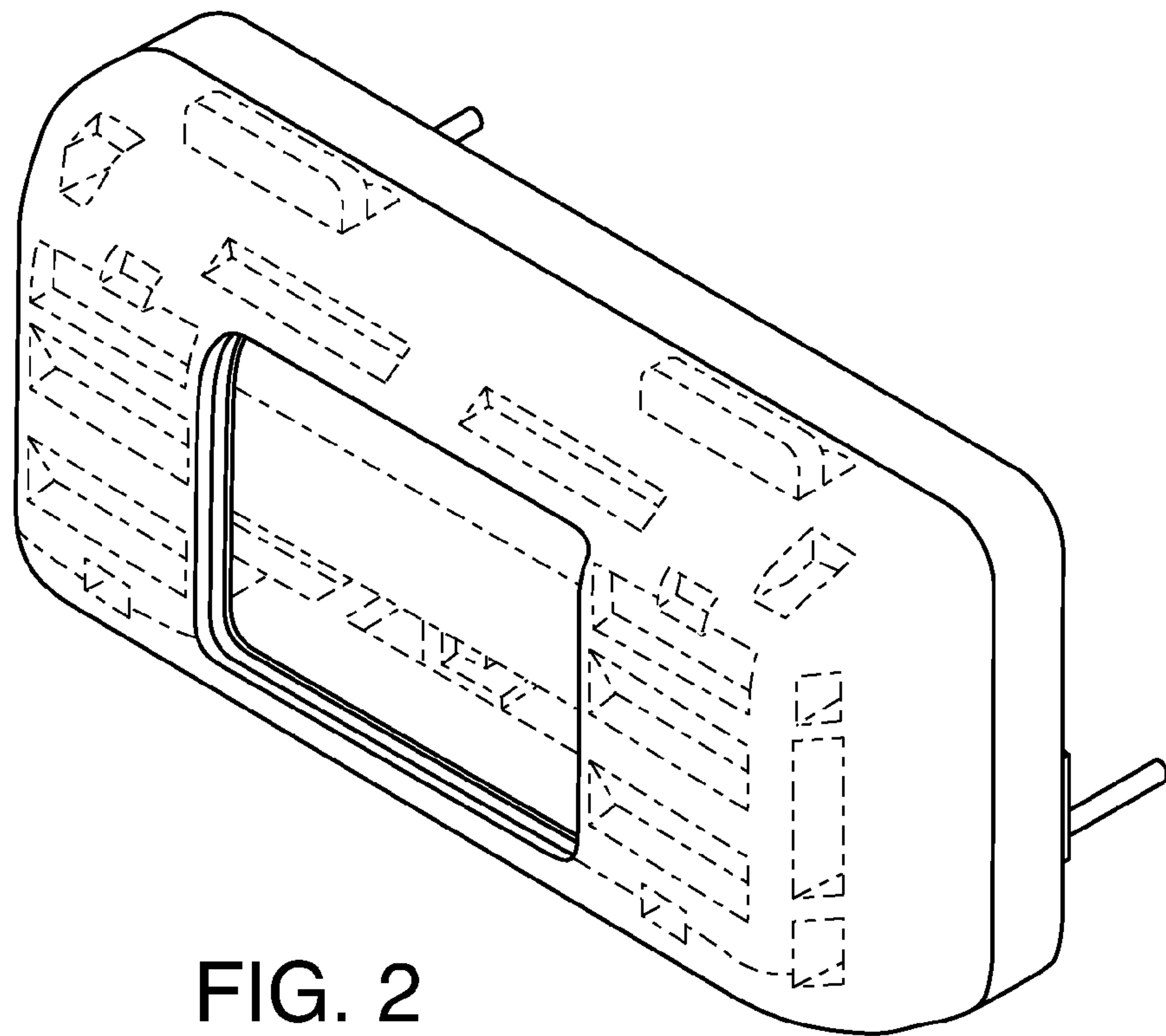


FIG. 2

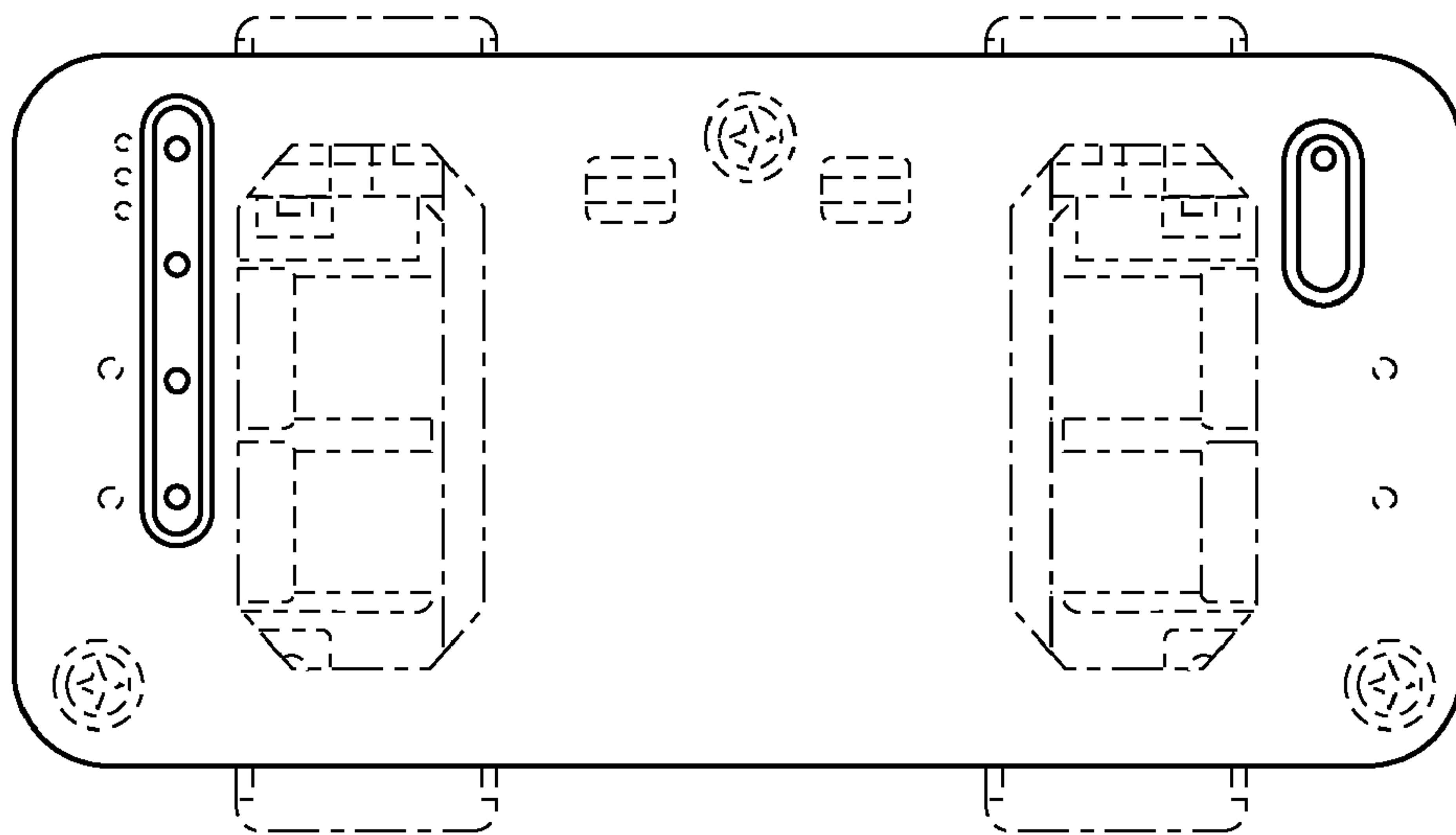


FIG. 3

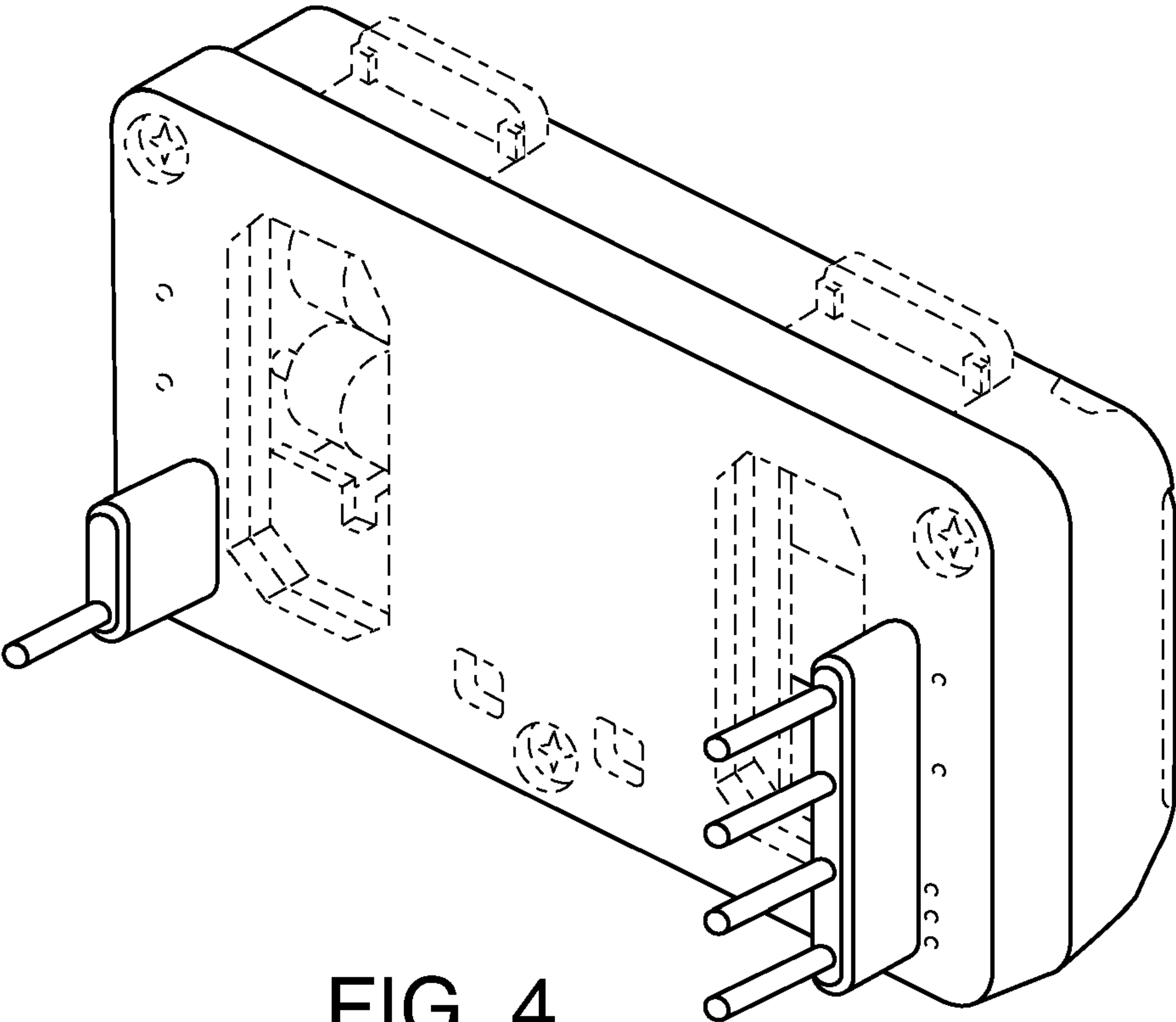


FIG. 4