



US00D670396S

(12) **United States Design Patent**  
**Doogan**

(10) **Patent No.:** **US D670,396 S**

(45) **Date of Patent:** **\*\* Nov. 6, 2012**

(54) **ACUPRESSURE THERAPY DEVICE**

(76) Inventor: **Jonathan Reid Doogan**, Carlsbad, CA  
(US)

(\*\*) Term: **14 Years**

(21) Appl. No.: **29/404,198**

(22) Filed: **Oct. 17, 2011**

(51) **LOC (9) Cl.** ..... **24-02**

(52) **U.S. Cl.** ..... **D24/200**

(58) **Field of Classification Search** ..... D24/200,  
D24/206, 209, 211–215, 133, 142, 106, 143;  
D32/61; D8/349, 394, 952; 601/134; 606/201,  
606/204, 157, 151, 204.45; 607/108, 109,  
607/111; 248/447.2, 68.1, 540, 74.1, 228.8,  
248/230.8, 316.1; 24/545; 128/200.24, 201.18;  
D11/86

See application file for complete search history.

(56) **References Cited**

**U.S. PATENT DOCUMENTS**

4,170,995	A *	10/1979	Levine et al.	.....	248/74.1
D294,335	S *	2/1988	Gatsos	.....	D11/86
5,103,813	A *	4/1992	Hart et al.	.....	128/201.18
D327,149	S *	6/1992	Harper, IV	.....	D32/61
D328,497	S *	8/1992	Morrison et al.	.....	D24/200

D375,552	S *	11/1996	Davi	.....	D24/106
D487,930	S *	3/2004	Amoroso	.....	D24/200
D491,668	S *	6/2004	Lew	.....	D24/200
D504,177	S *	4/2005	Erfan	.....	D24/200
D517,217	S *	3/2006	Zou et al.	.....	D24/215
D615,209	S *	5/2010	Minogue et al.	.....	D24/200
D616,559	S *	5/2010	Boyer	.....	D24/200
D623,306	S *	9/2010	Boyer	.....	D24/200

\* cited by examiner

*Primary Examiner* — David Muller

(74) *Attorney, Agent, or Firm* — Eric A. Hanscom; Todd J. Langford

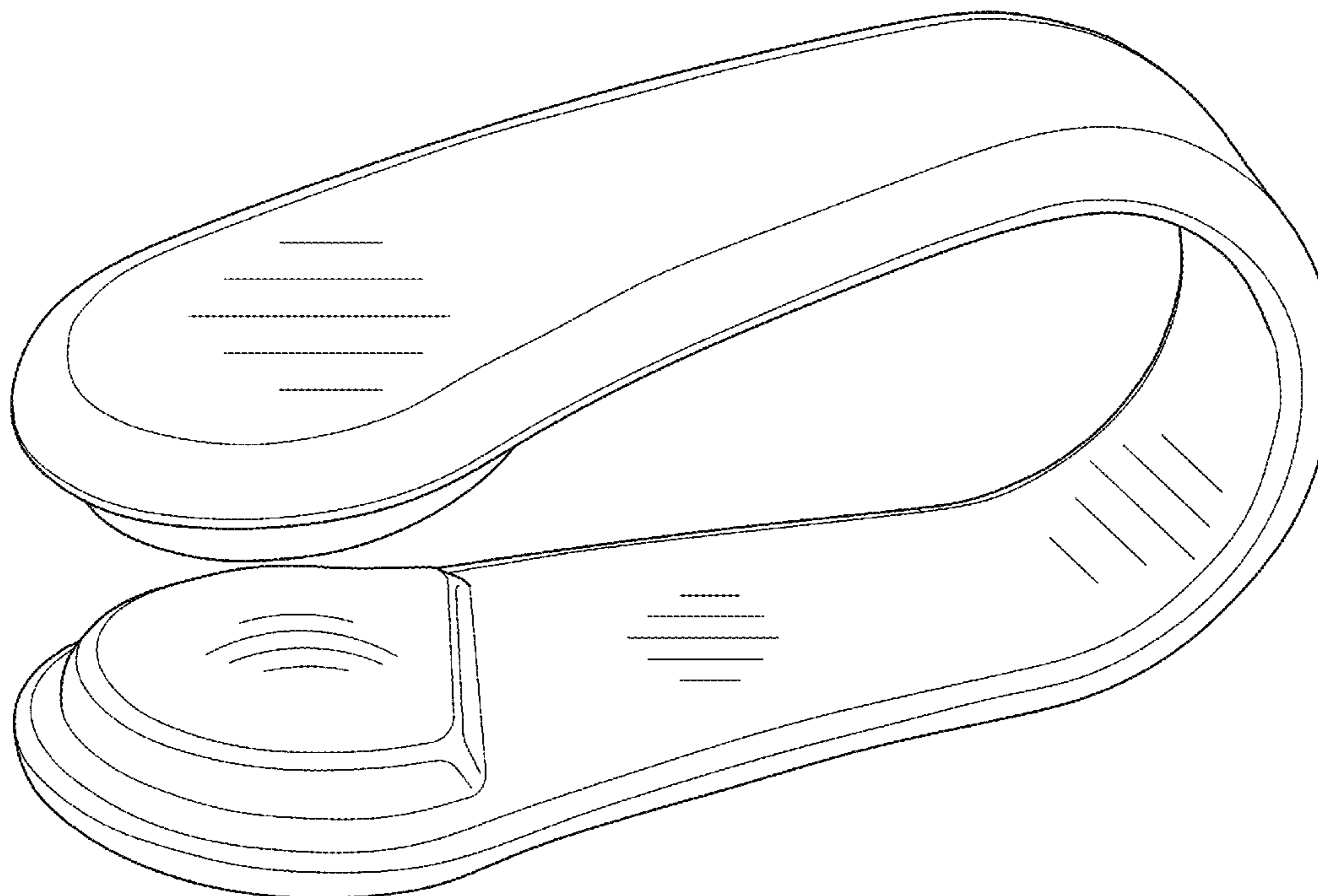
(57) **CLAIM**

The ornamental design for an acupressure therapy device, as shown and described.

**DESCRIPTION**

FIG. 1 is a perspective view of a acupressure therapy device showing my new design;  
FIG. 2 is a front view thereof;  
FIG. 3 is a left-side view thereof;  
FIG. 4 is a top view thereof;  
FIG. 5 is a right-side view thereof;  
FIG. 6 is a back view thereof; and,  
FIG. 7 is a bottom view thereof.

**1 Claim, 3 Drawing Sheets**



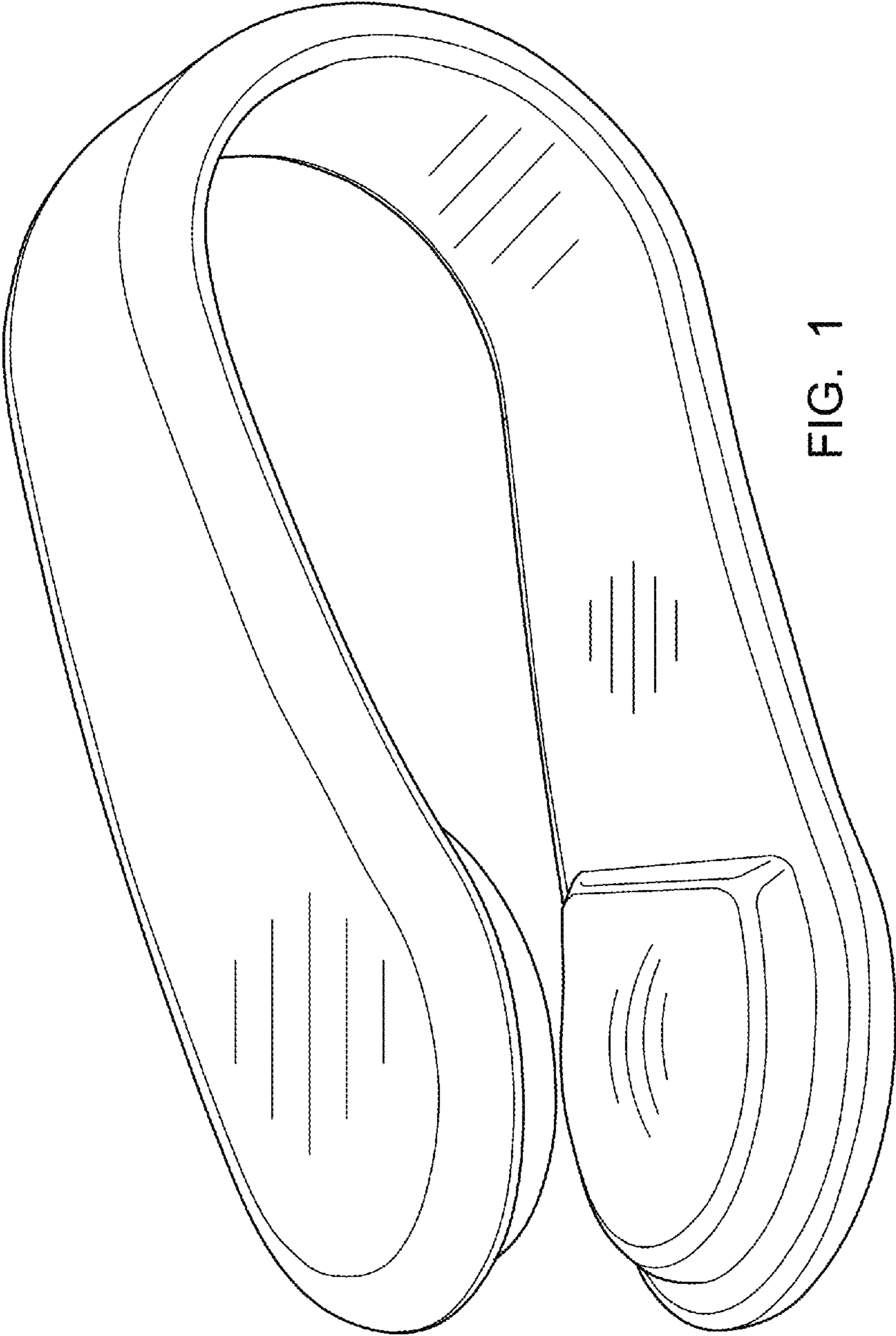


FIG. 1

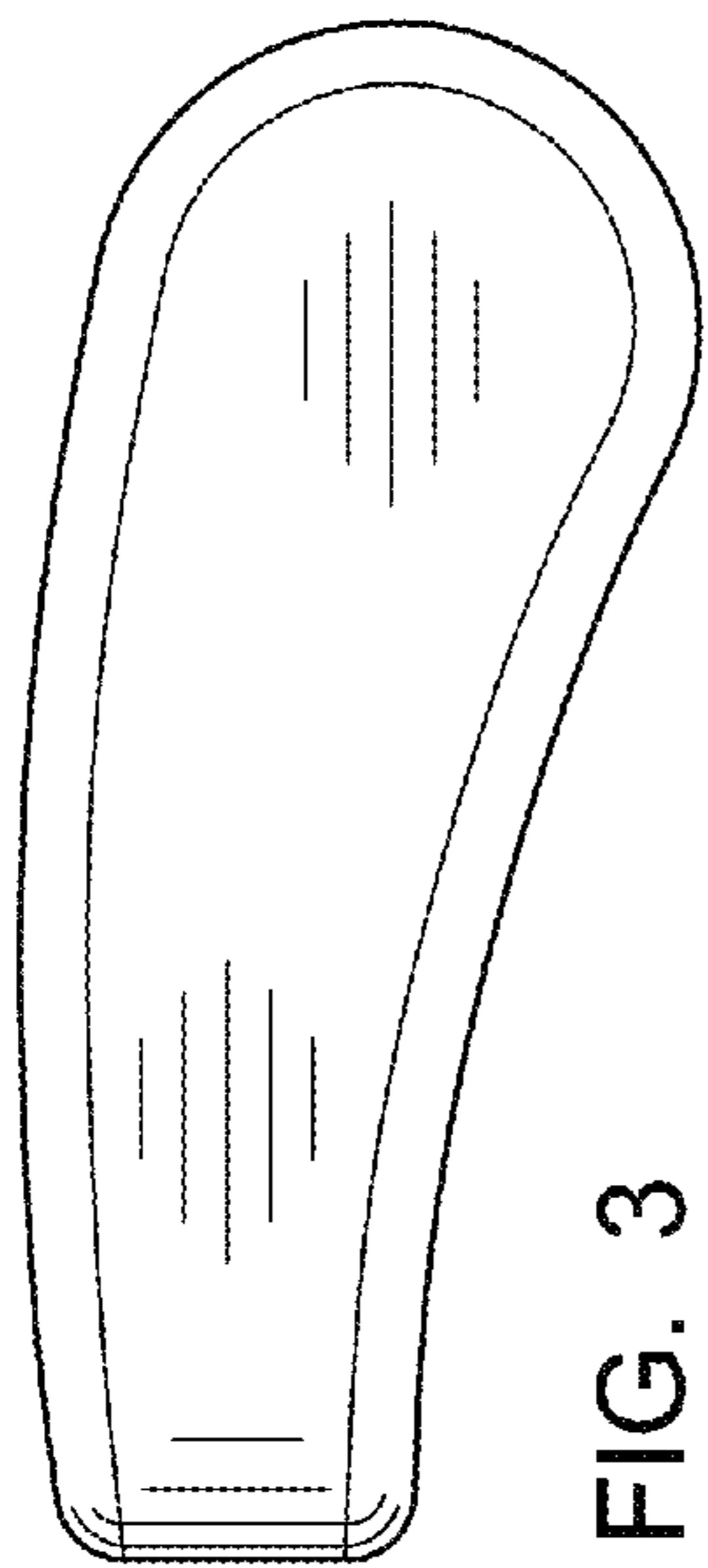


FIG. 3

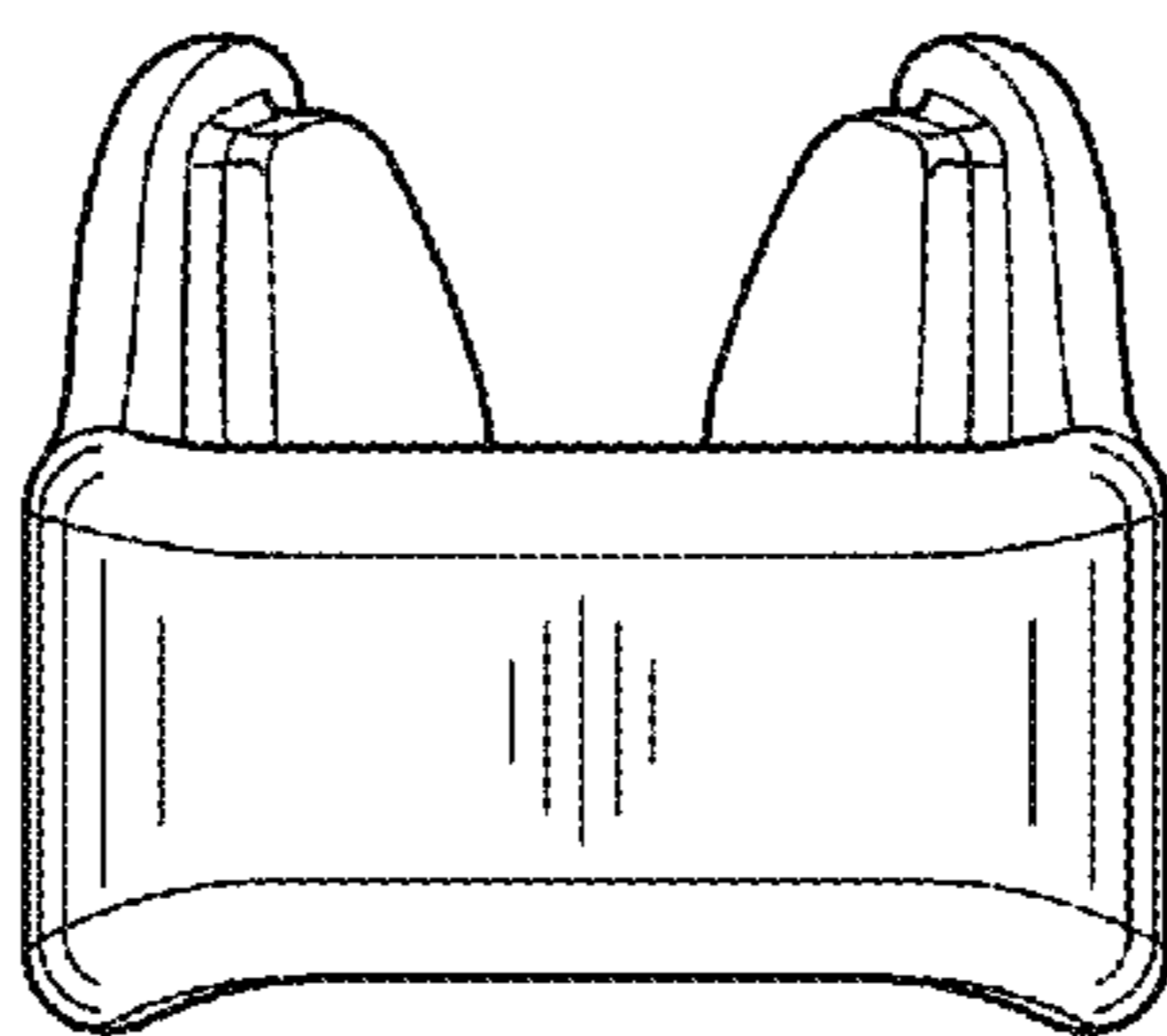


FIG. 2

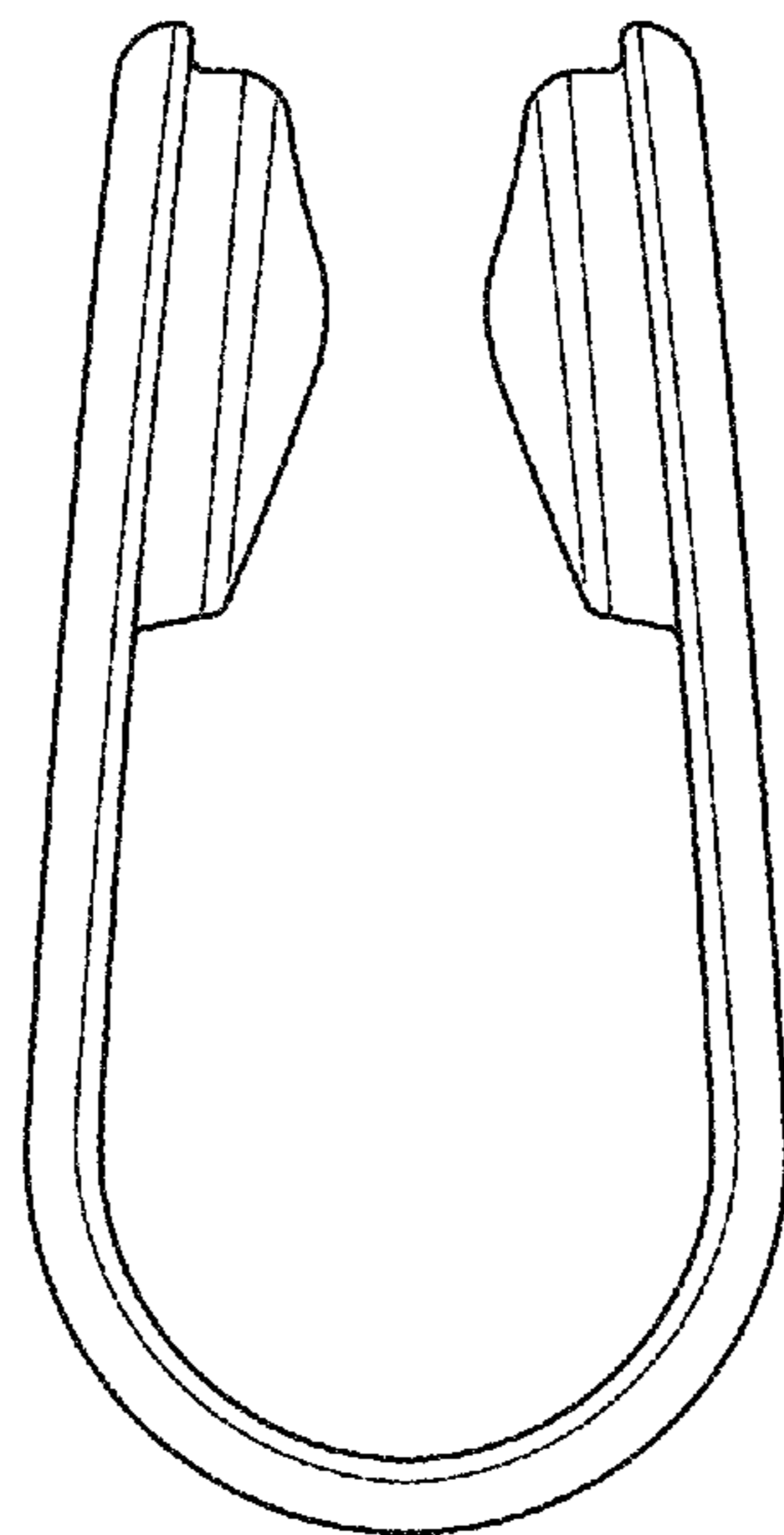


FIG. 4

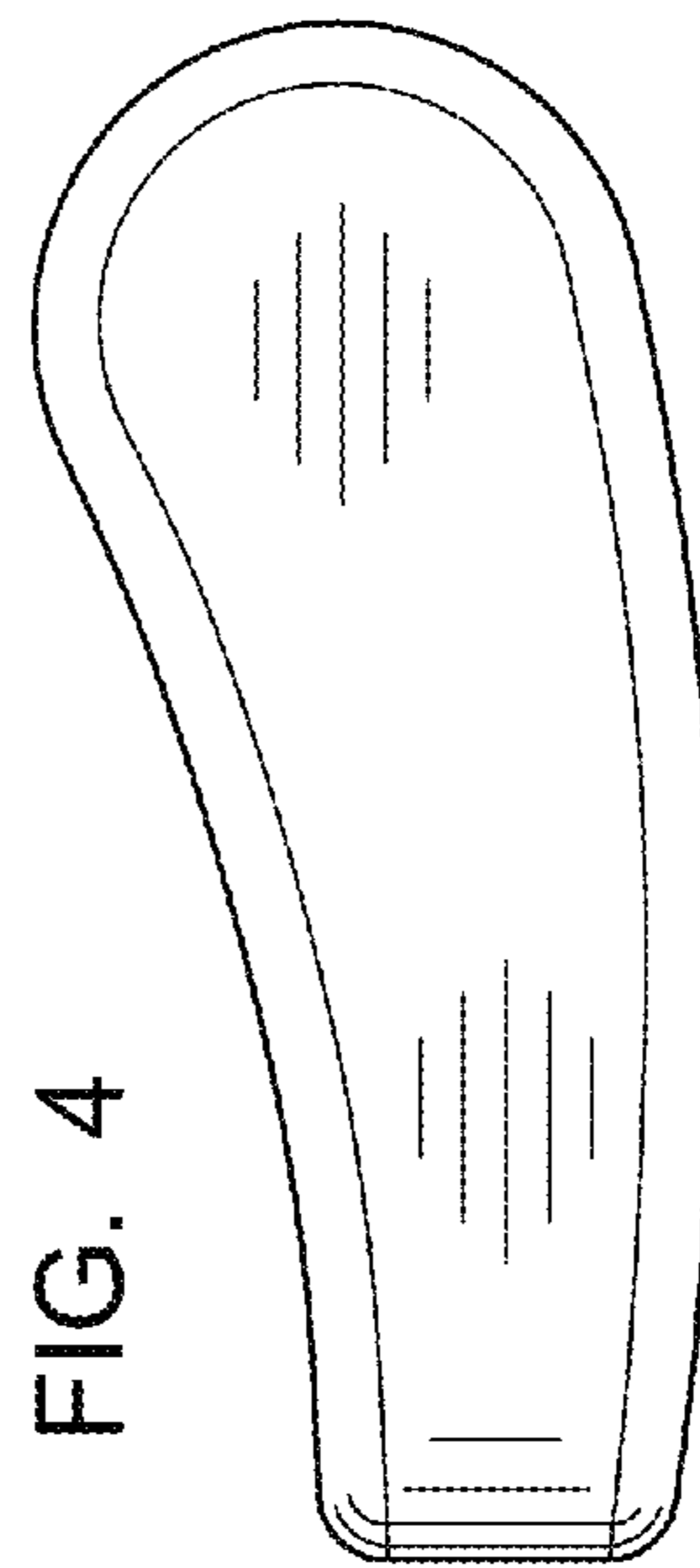


FIG. 5

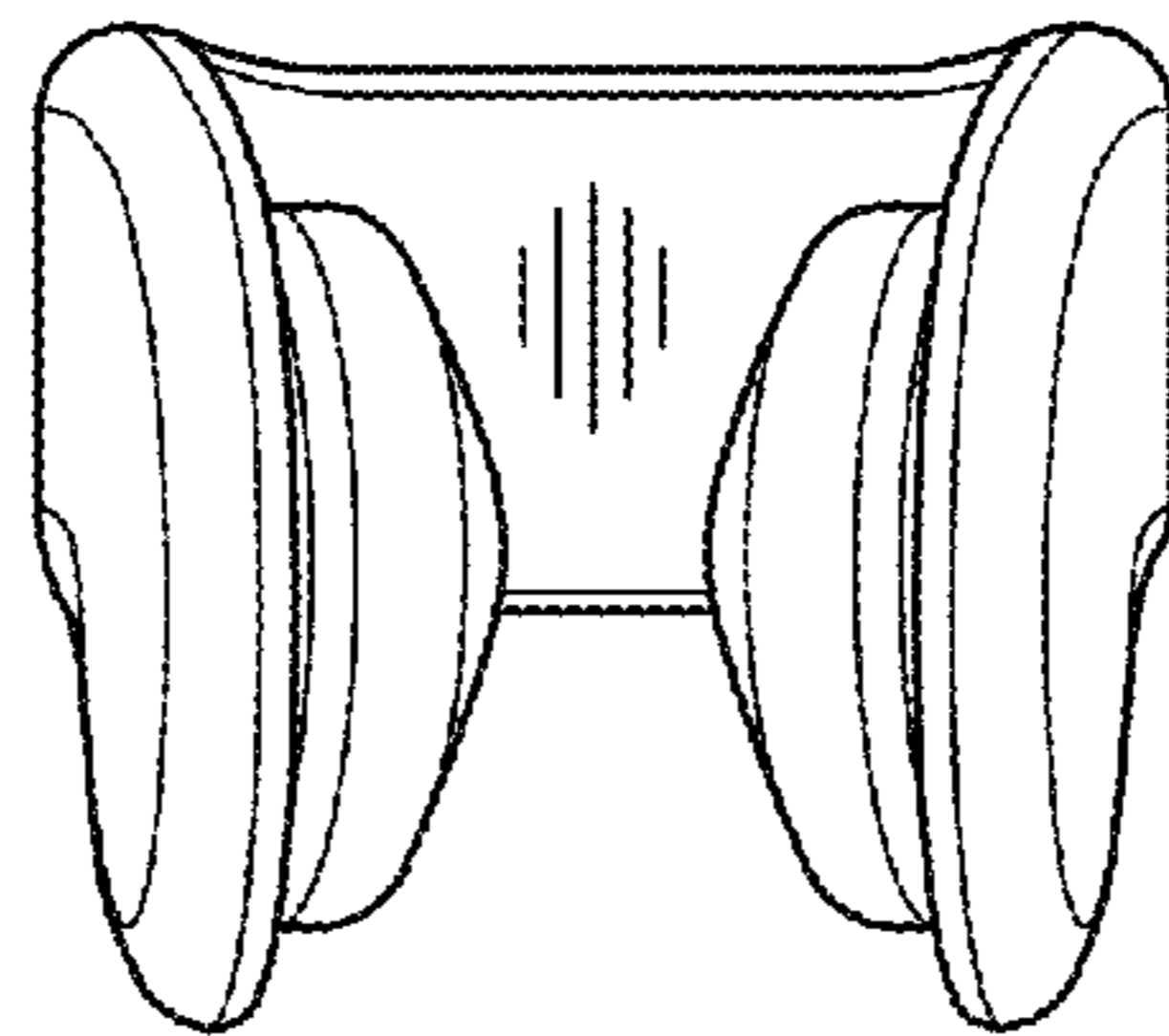


FIG. 6

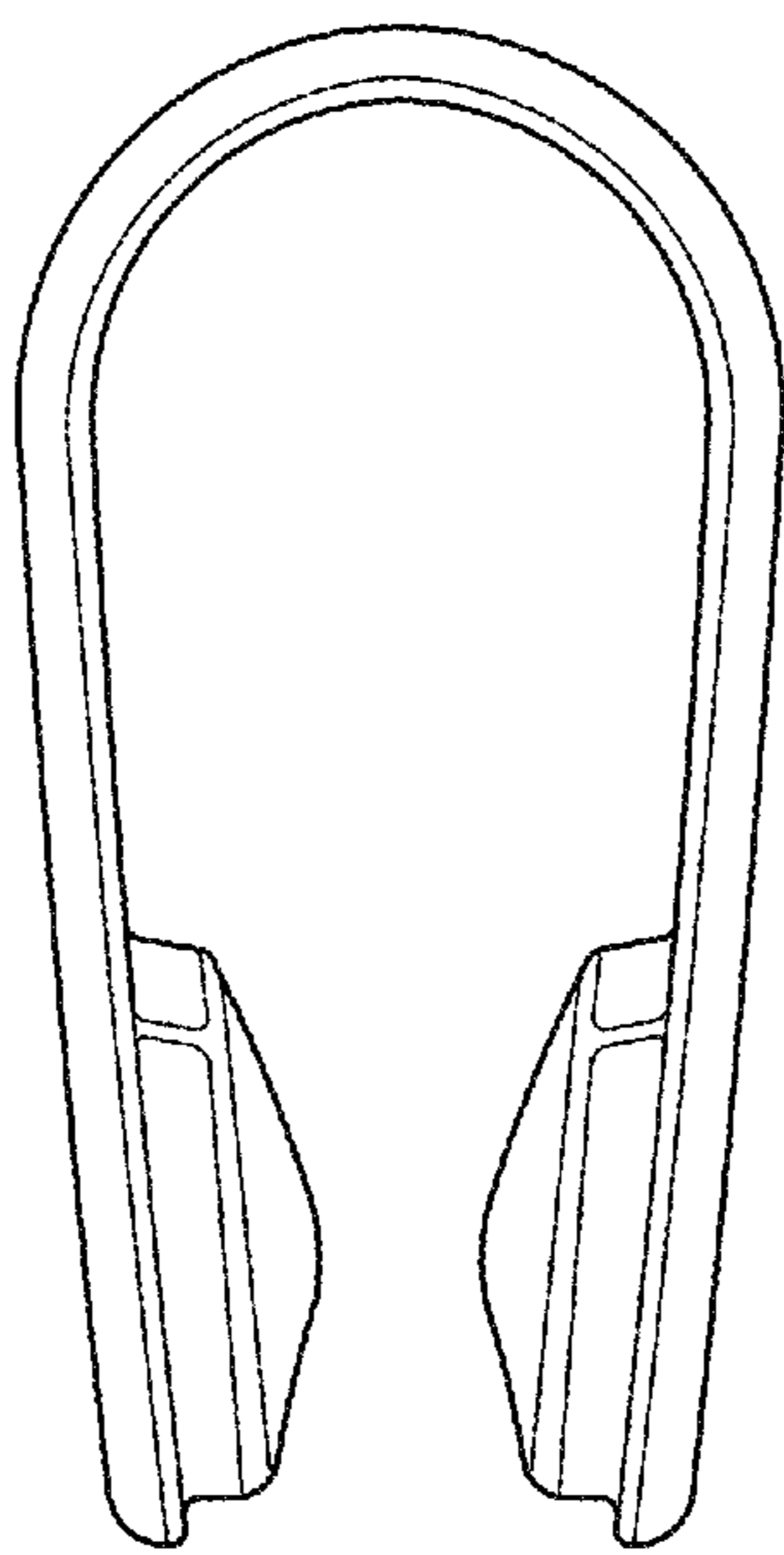


FIG. 7