

US00D670392S

(12) **United States Design Patent**
Kagawa

(10) **Patent No.:** **US D670,392 S**

(45) **Date of Patent:** **** Nov. 6, 2012**

(54) **CONTROLLER FOR SURGICAL HANDPIECE**

(75) Inventor: **Takeshi Kagawa**, Kanuma (JP)

(73) Assignee: **Nakanishi Inc.**, Kanuma-shi (JP)

(**) Term: **14 Years**

(21) Appl. No.: **29/402,907**

(22) Filed: **Sep. 29, 2011**

(51) **LOC (9) Cl.** **24-02**

(52) **U.S. Cl.** **D24/177**

(58) **Field of Classification Search** D24/155-156,
D24/176-182, 221; D13/162, 168, 171,
D13/184; 433/29, 82, 125-126, 80, 85-86,
433/98, 101

See application file for complete search history.

(56) **References Cited**

U.S. PATENT DOCUMENTS

4,770,632 A * 9/1988 Ryder et al. 433/80
D618,353 S * 6/2010 Sanga D24/177

D631,549 S * 1/2011 Kagawa D24/177
2008/0118889 A1 * 5/2008 Wang 433/98
2010/0109644 A1 * 5/2010 Pruckner et al. 433/29

* cited by examiner

Primary Examiner — Wan Laymon

(74) *Attorney, Agent, or Firm* — Jason D. Voight

(57) **CLAIM**

The ornamental design for a controller for surgical handpiece, as shown and described.

DESCRIPTION

FIG. 1 is a front elevation of a controller for surgical handpiece;
FIG. 2 is a rear elevation thereof;
FIG. 3 is a right side elevation thereof;
FIG. 4 is a left side elevation thereof;
FIG. 5 is a top plan view thereof; and
FIG. 6 is a bottom plan view thereof; and
FIG. 7 is a perspective view thereof.
Portions of the controller for surgical handpiece shown in broken lines form no part of the claimed design.

1 Claim, 4 Drawing Sheets

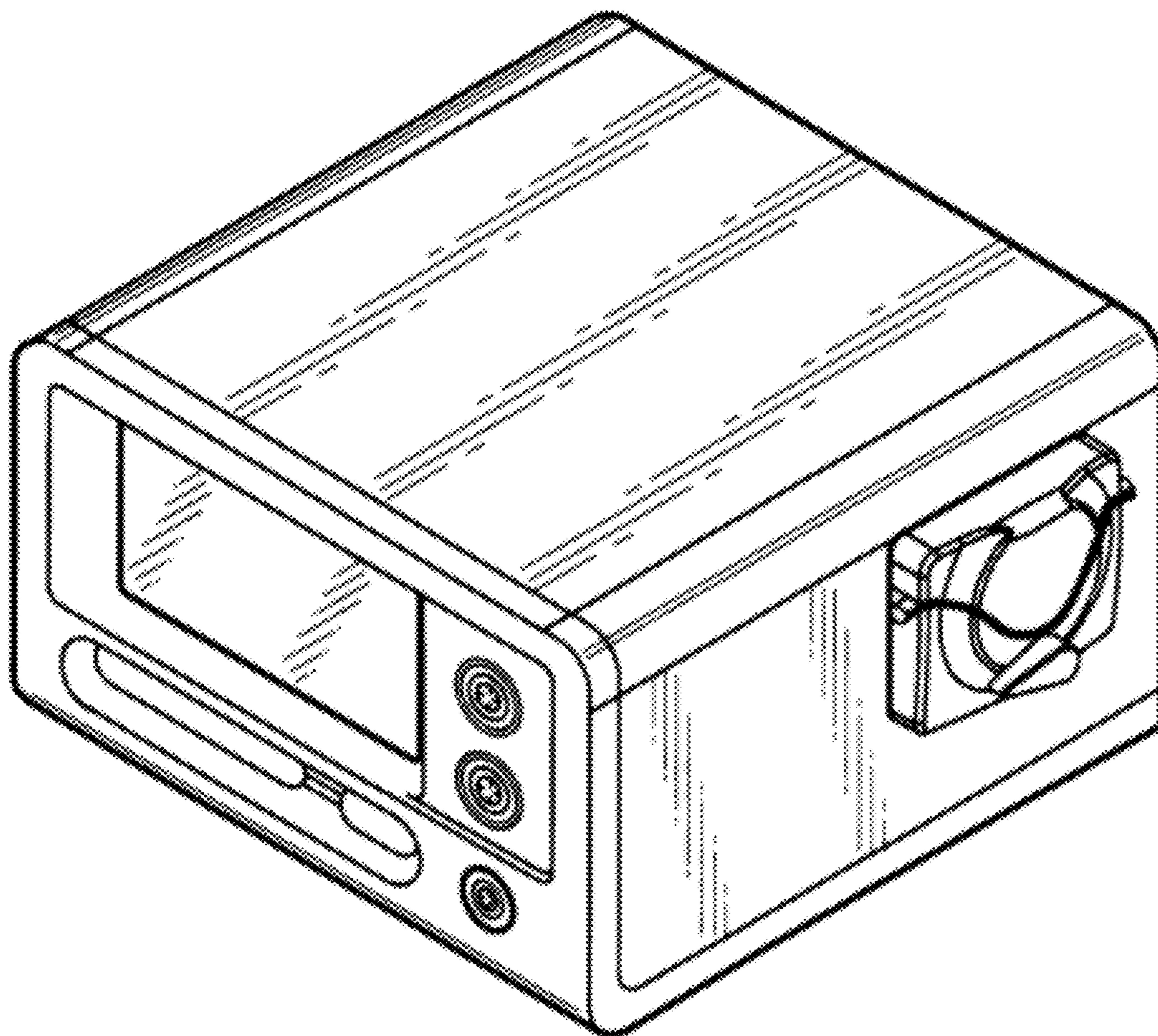


FIG. 1

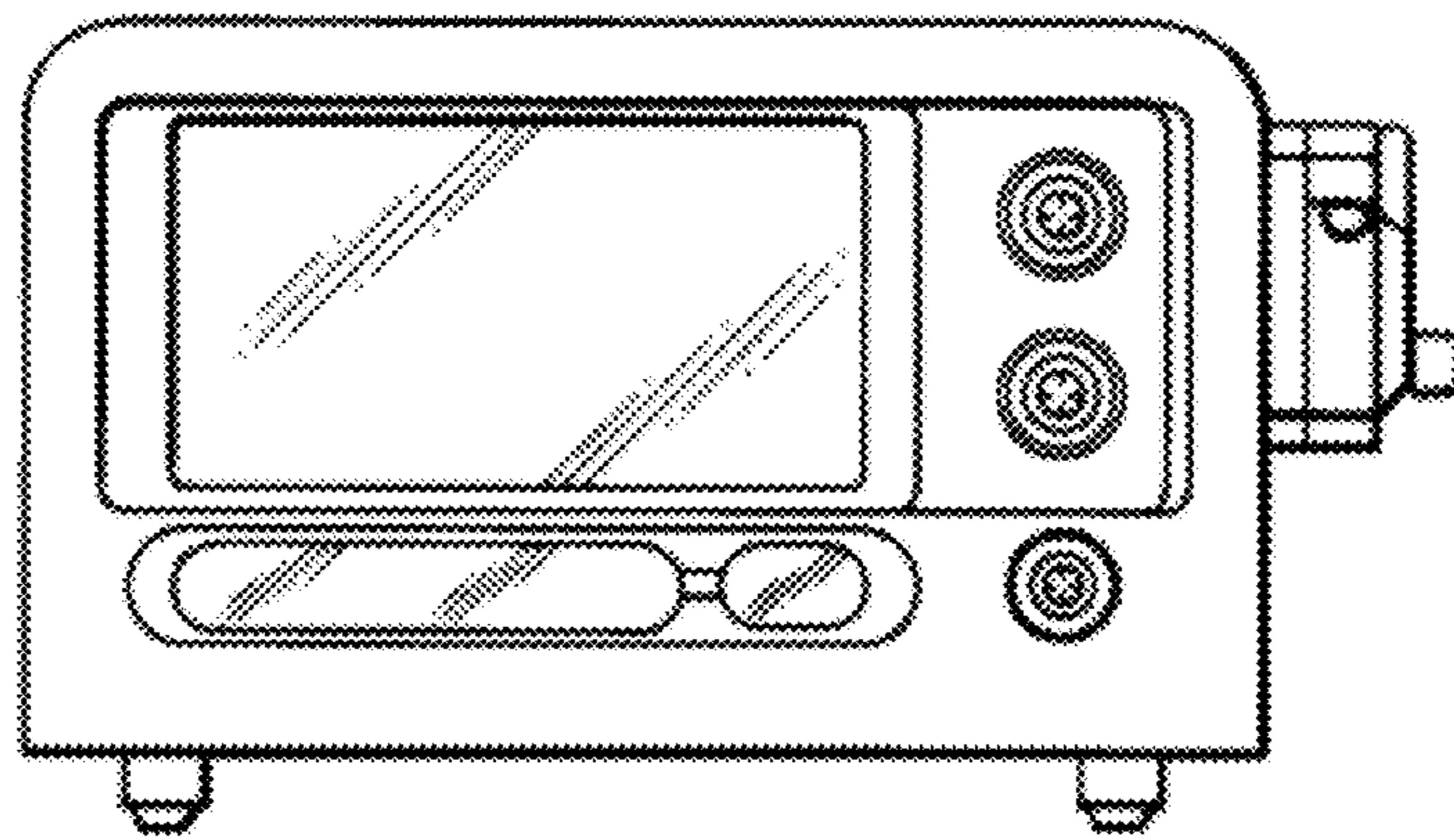


FIG. 2

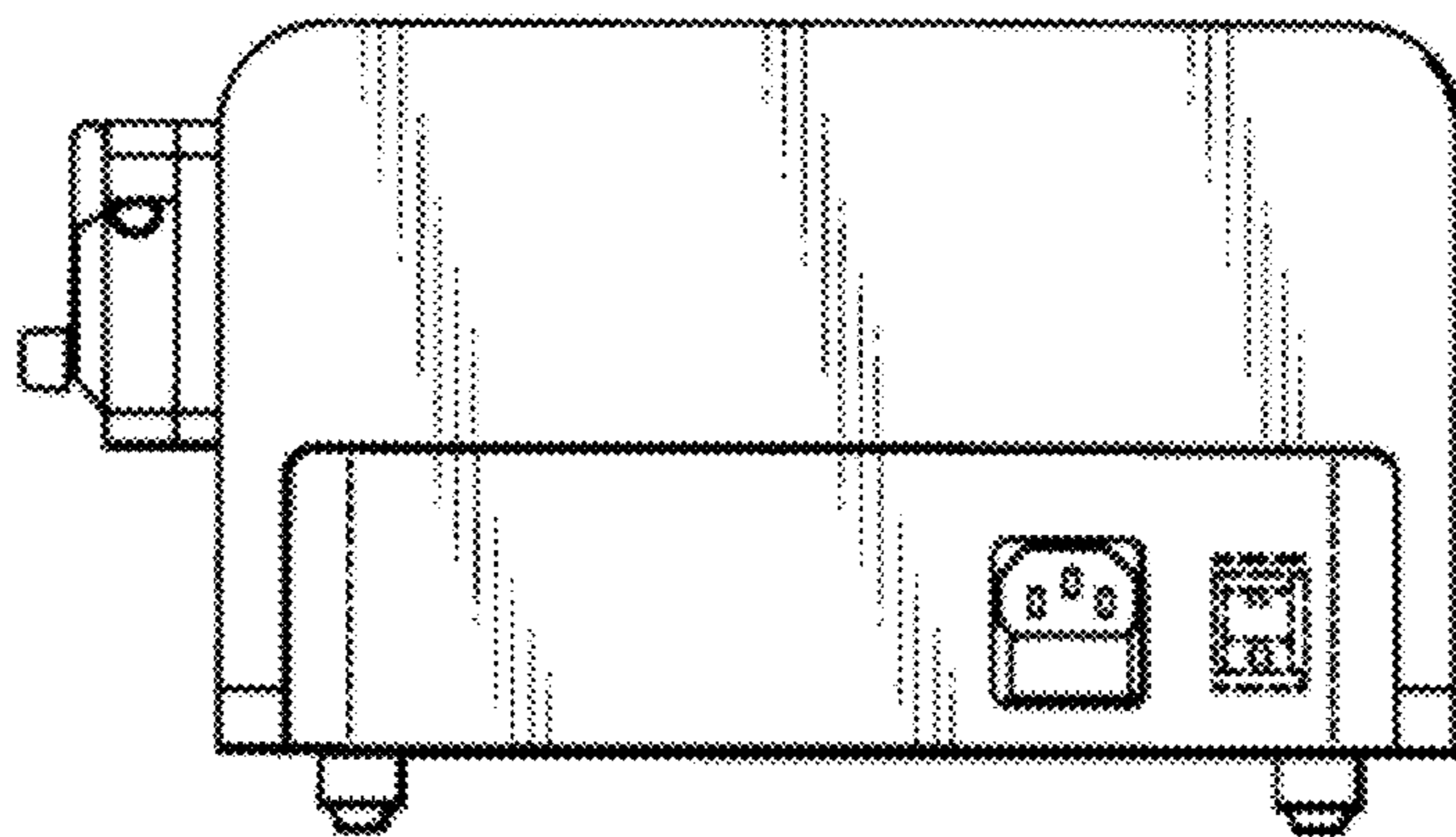


FIG. 3

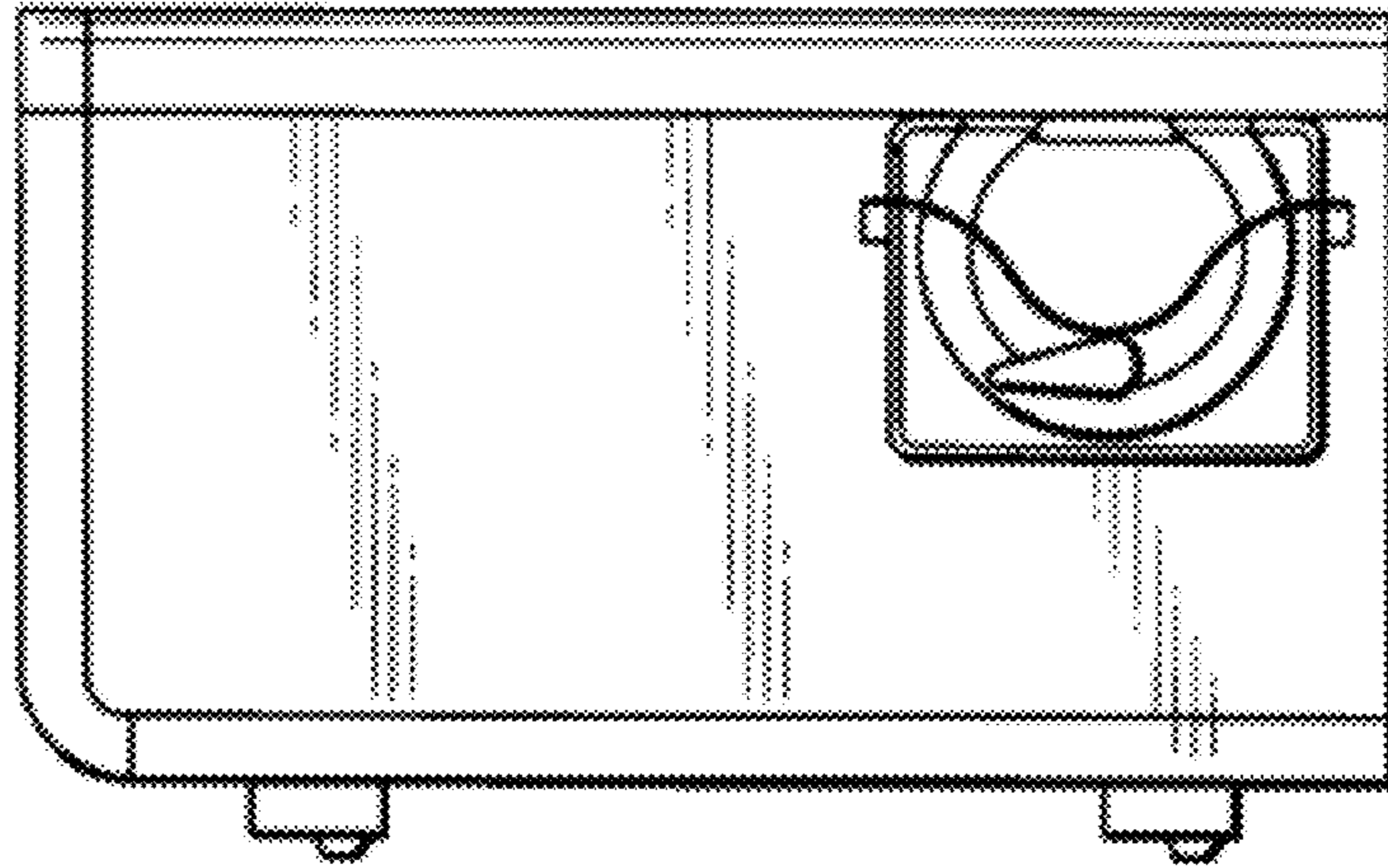


FIG. 4

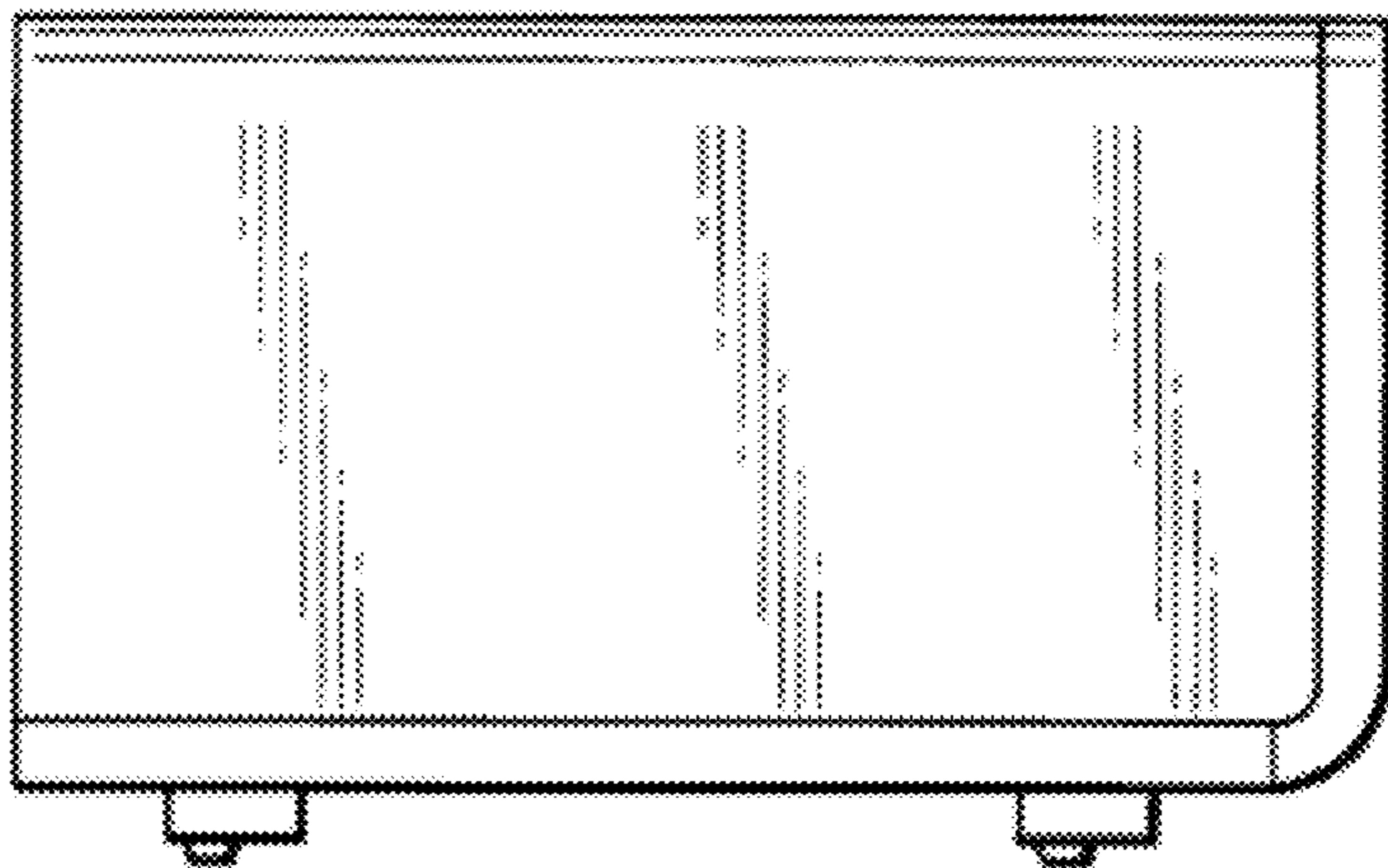


FIG. 5

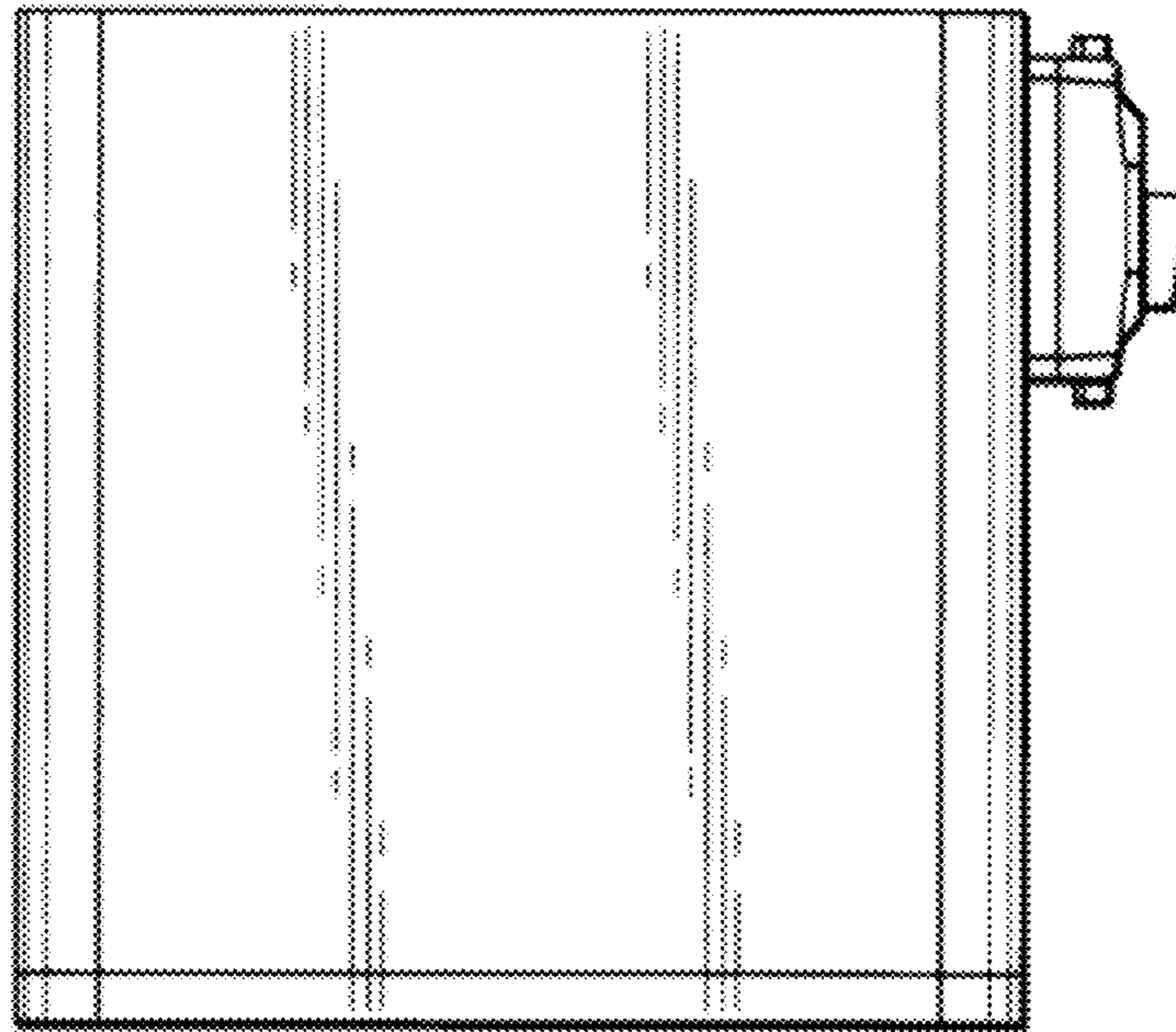


FIG. 6

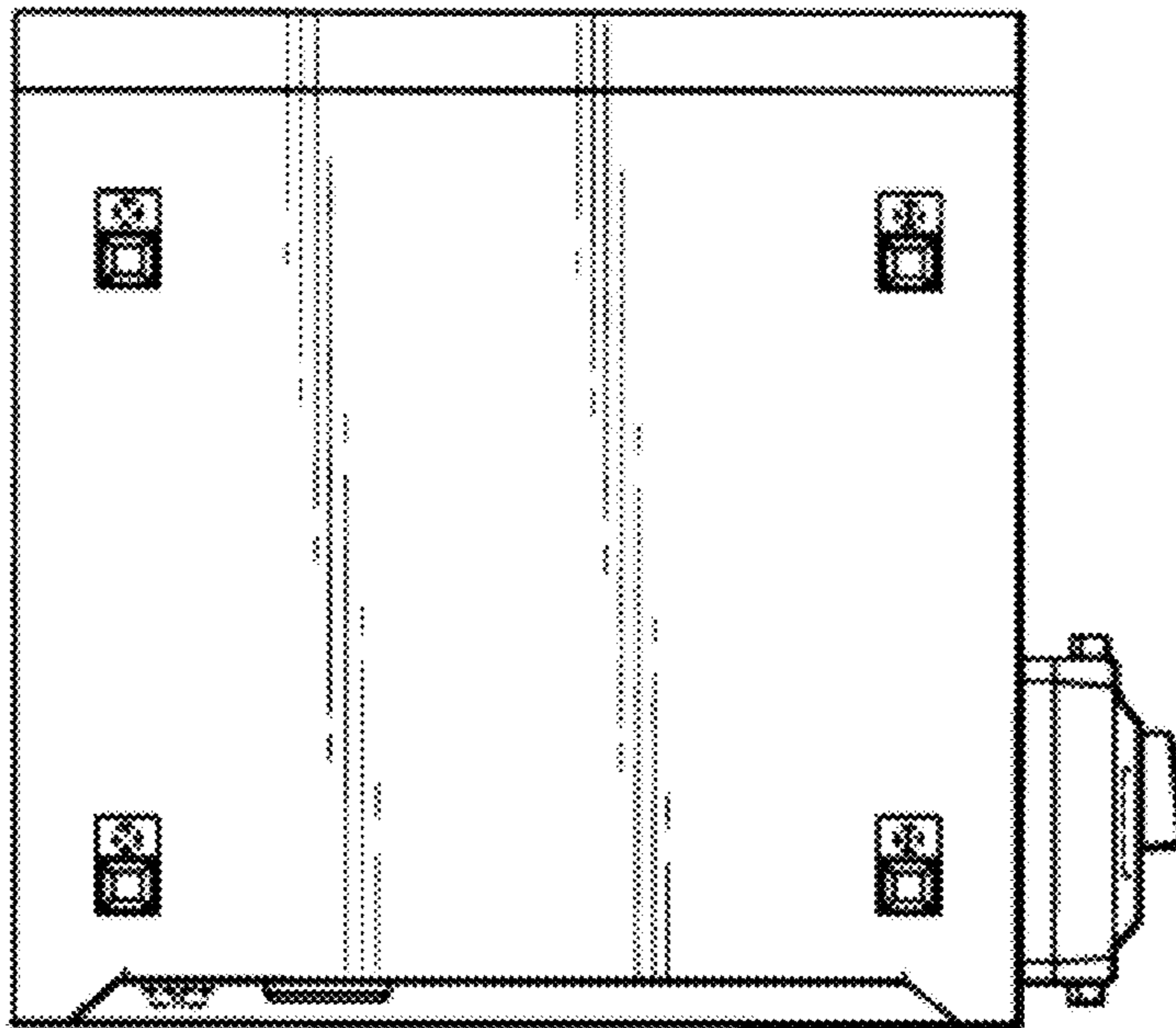


FIG. 7

