



US00D670388S

(12) **United States Design Patent**
Jin et al.

(10) **Patent No.:** **US D670,388 S**

(45) **Date of Patent:** **** Nov. 6, 2012**

(54) **FINGER-CLIPPED PULSE OXIMETER**

(75) Inventors: **Jiuhe Jin**, Beijing (CN); **Wei Wang**,
Beijing (CN); **Changbo Li**, Beijing (CN)

(73) Assignee: **Beijing Choice Electronic Technology**
Co., Ltd., Beijing (CN)

(**) Term: **14 Years**

(21) Appl. No.: **29/402,521**

(22) Filed: **Sep. 23, 2011**

(30) **Foreign Application Priority Data**

Mar. 24, 2011 (CN) 2011 3 0054844

(51) **LOC (9) Cl.** **24-01**

(52) **U.S. Cl.** **D24/169; D24/165**

(58) **Field of Classification Search** D24/165-169,
D24/107, 186, 216, 223, 231, 232; D10/46,
D10/81; D14/341; 422/56, 58, 68.1; 600/316,
600/322, 323, 347, 365, 368

See application file for complete search history.

(56) **References Cited**

U.S. PATENT DOCUMENTS

4,685,464 A * 8/1987 Goldberger et al. D24/169
5,792,052 A * 8/1998 Isaacson et al. 600/323

D455,834 S * 4/2002 Donars et al. D24/169
D463,561 S * 9/2002 Fukatsu et al. D24/165
6,580,086 B1 * 6/2003 Schulz et al. 250/557
6,643,531 B1 * 11/2003 Katarow 600/323
7,341,559 B2 * 3/2008 Schulz et al. 600/309
D603,966 S * 11/2009 Jones et al. D24/165
D615,655 S * 5/2010 Maser et al. D24/169
D621,516 S * 8/2010 Kiani et al. D24/169
D646,391 S * 10/2011 Ibuki et al. D24/165
2002/0156353 A1 * 10/2002 Larson 600/323
2009/0043180 A1 * 2/2009 Tschautscher et al. 600/323

* cited by examiner

Primary Examiner — Anhdao Doan

(74) *Attorney, Agent, or Firm* — The Webb Law Firm

(57) **CLAIM**

The ornamental design for a finger-clipped pulse oximeter, as shown and described.

DESCRIPTION

FIG. 1 is a perspective view of a finger-clipped pulse oximeter in accordance with our new design;

FIG. 2 is a front view thereof;

FIG. 3 is a rear view thereof;

FIG. 4 is a bottom view thereof;

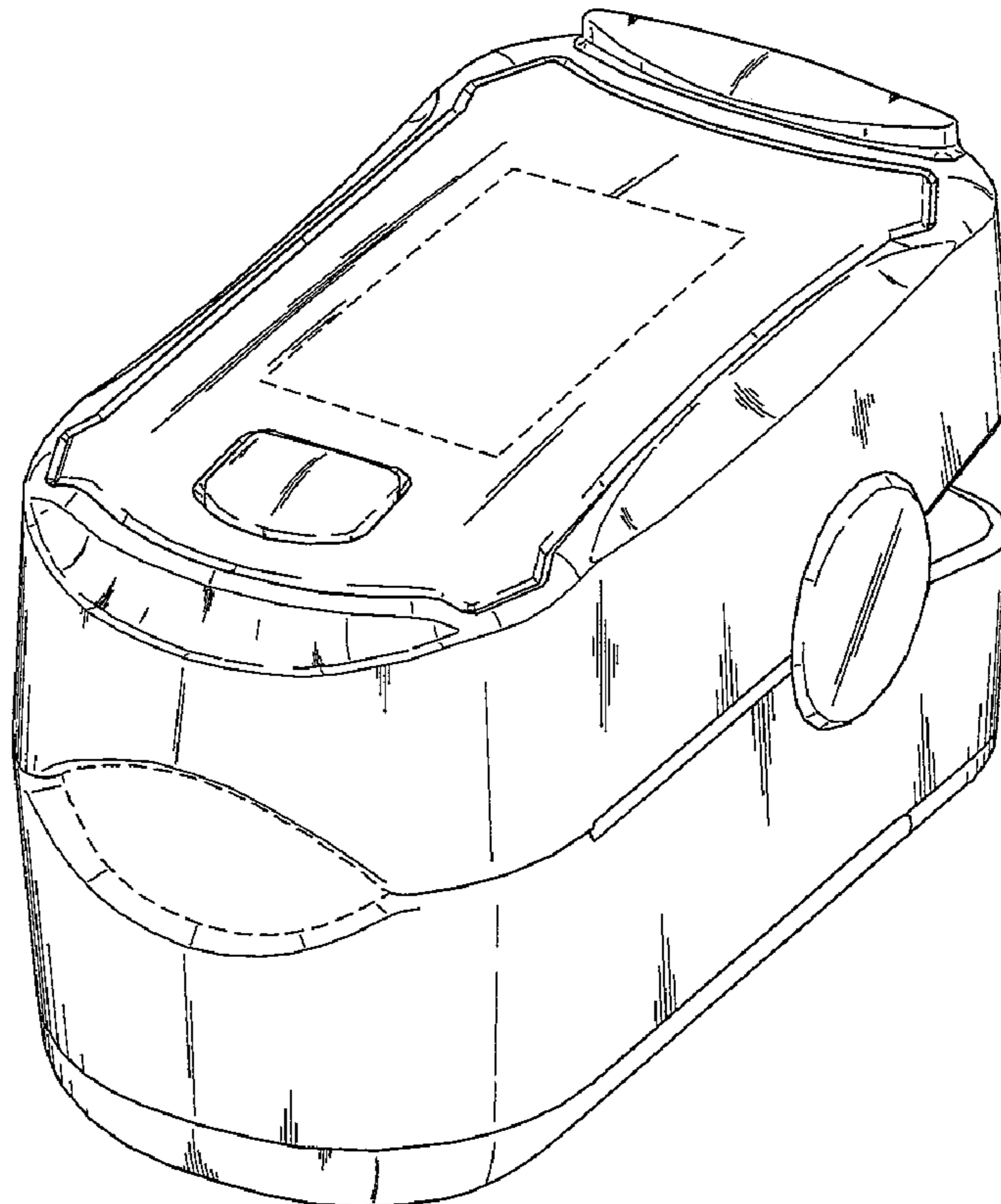
FIG. 5 is a top view thereof;

FIG. 6 is a left side view thereof; and,

FIG. 7 is a right side view thereof.

The portions of the finger-clipped pulse oximeter shown in broken lines form no part of the claimed design.

1 Claim, 4 Drawing Sheets



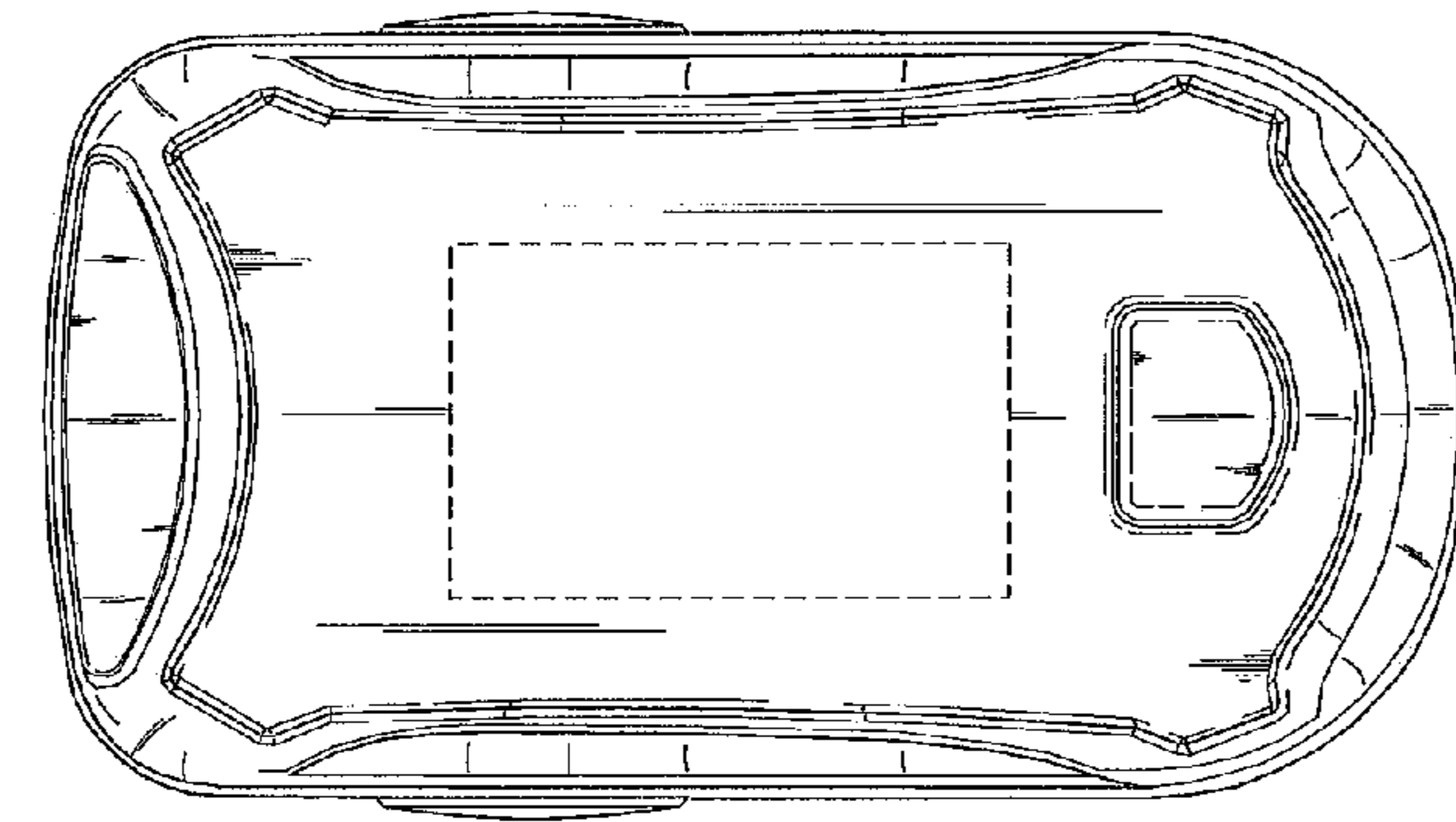


FIG. 2

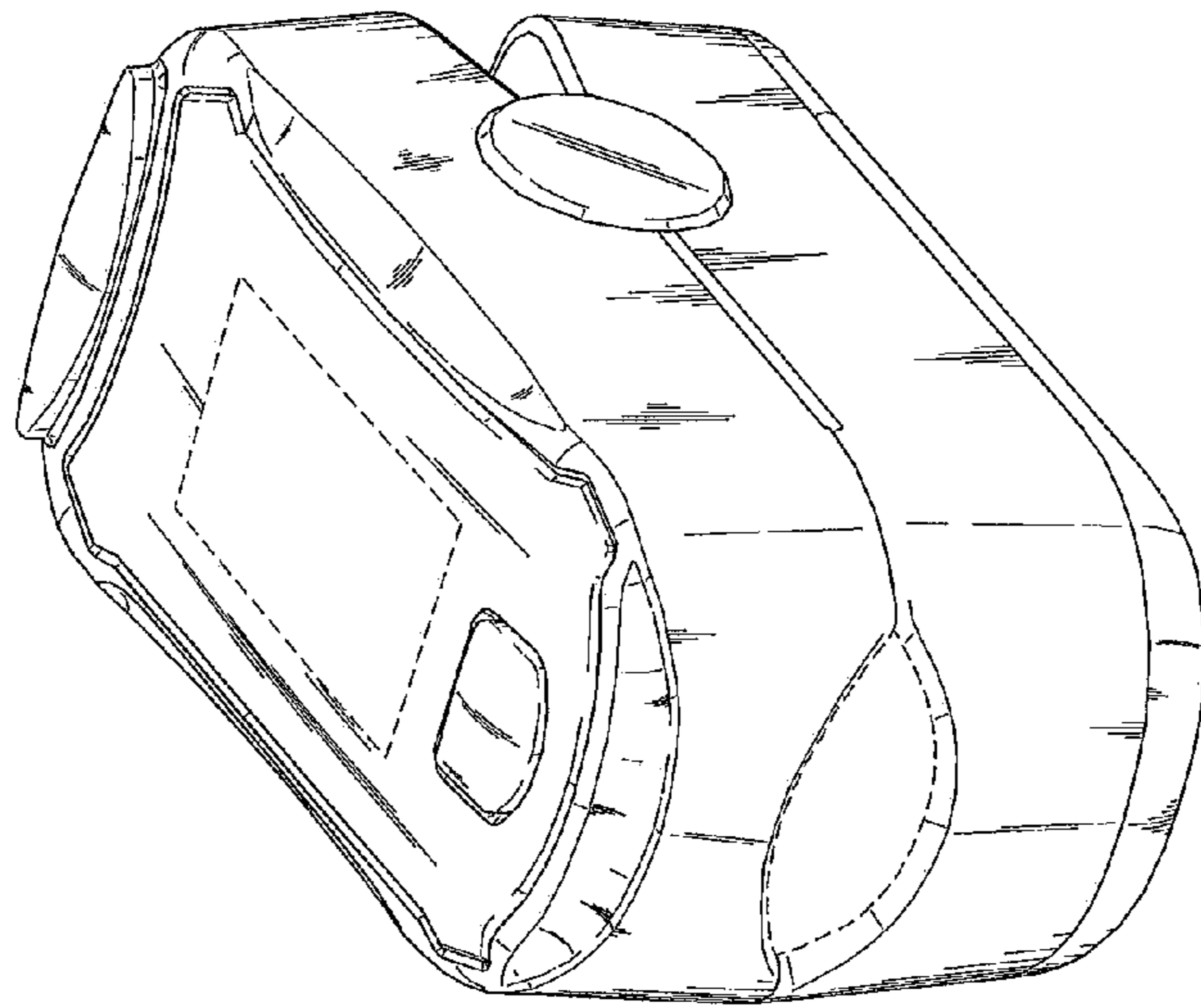


FIG. 1

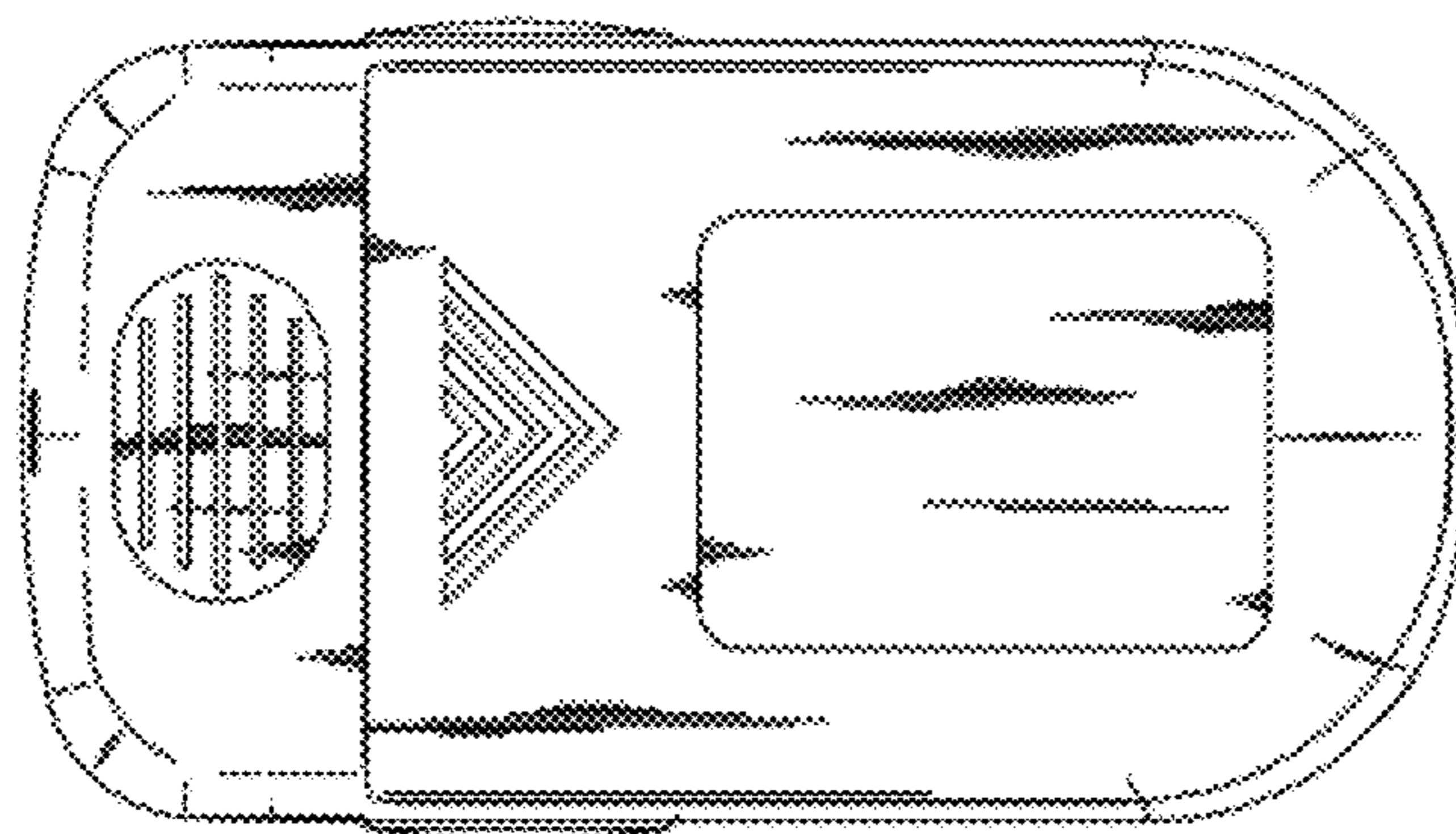


FIG. 3

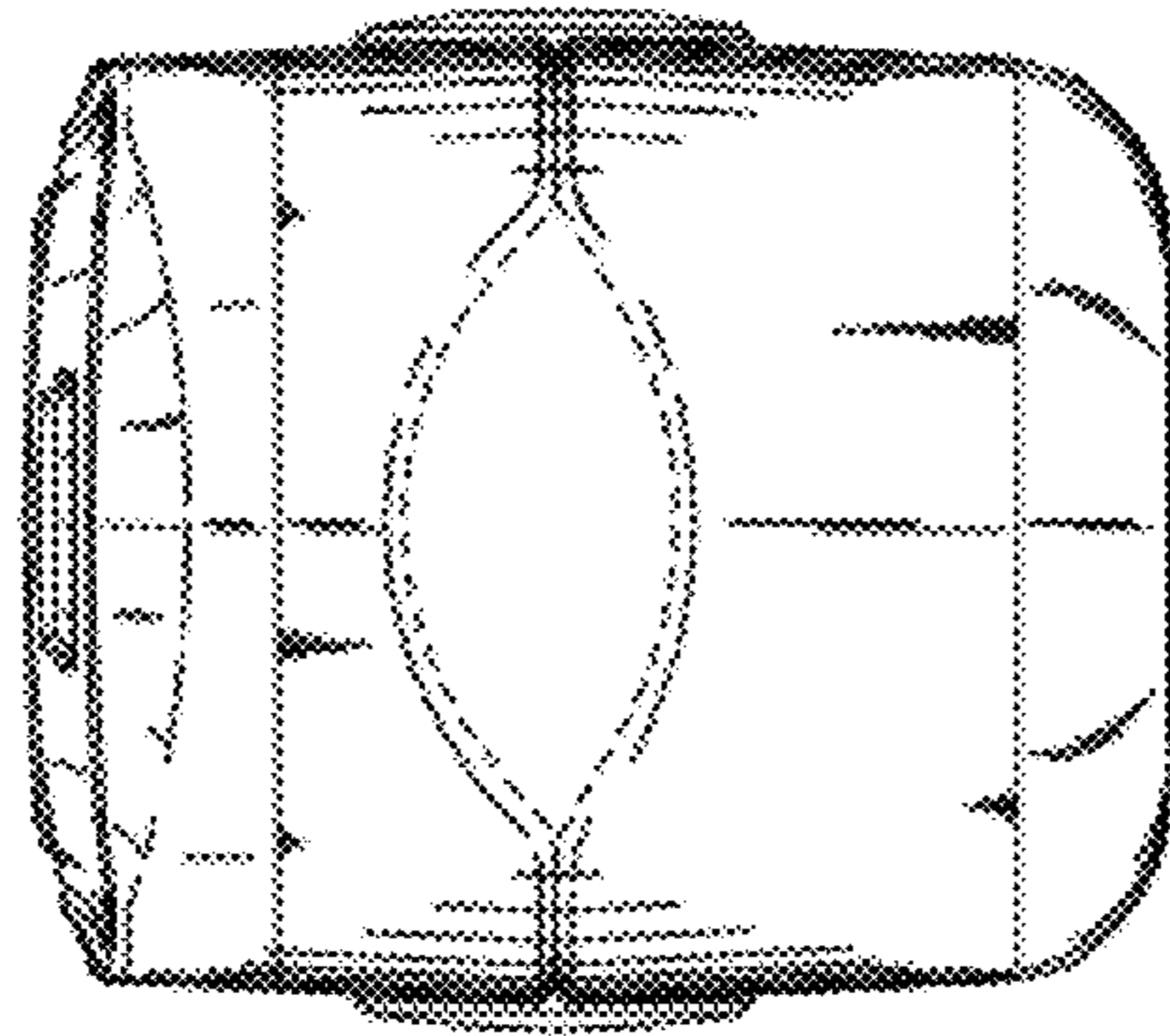


FIG. 4

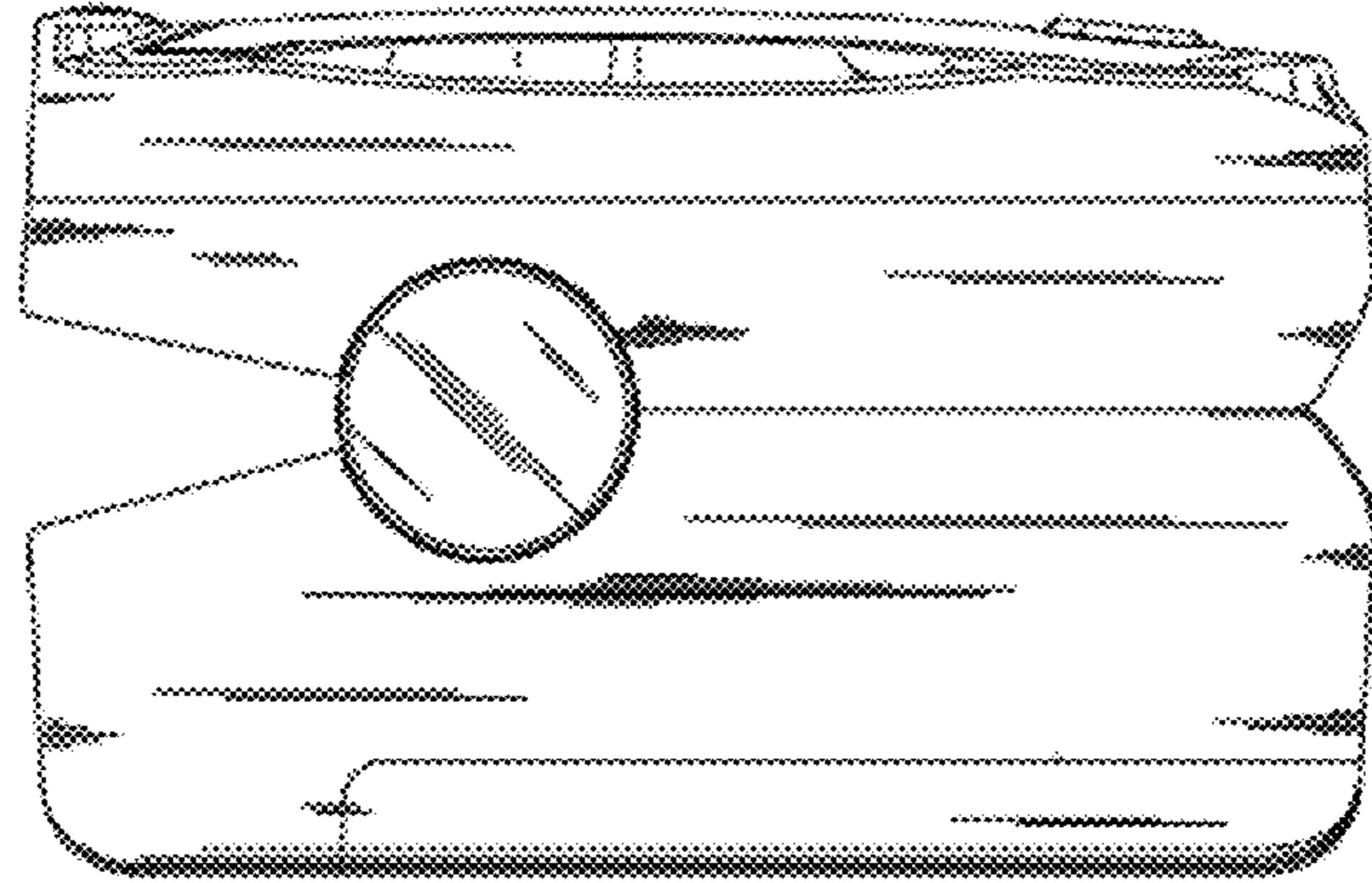


FIG. 6

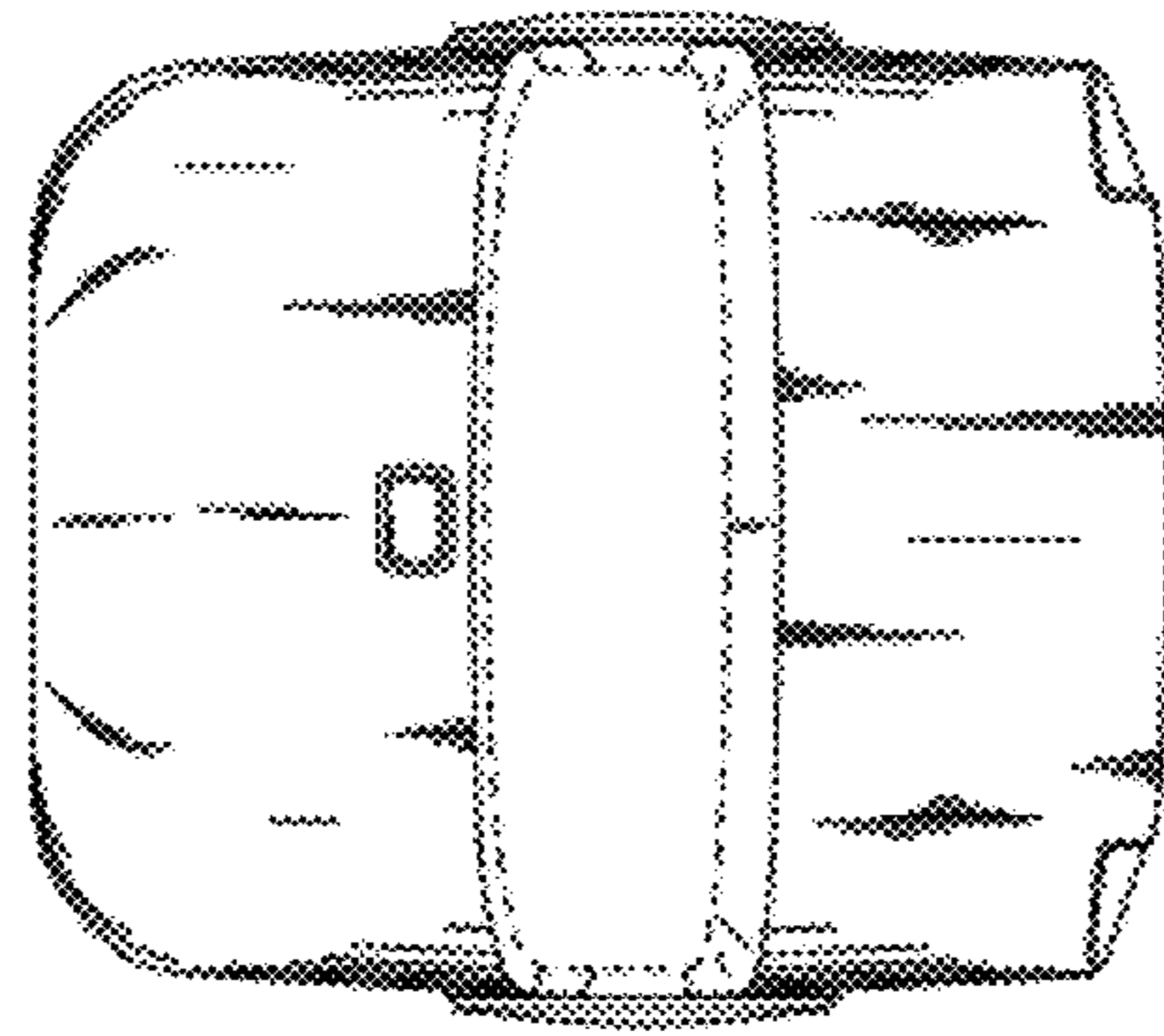


FIG. 5

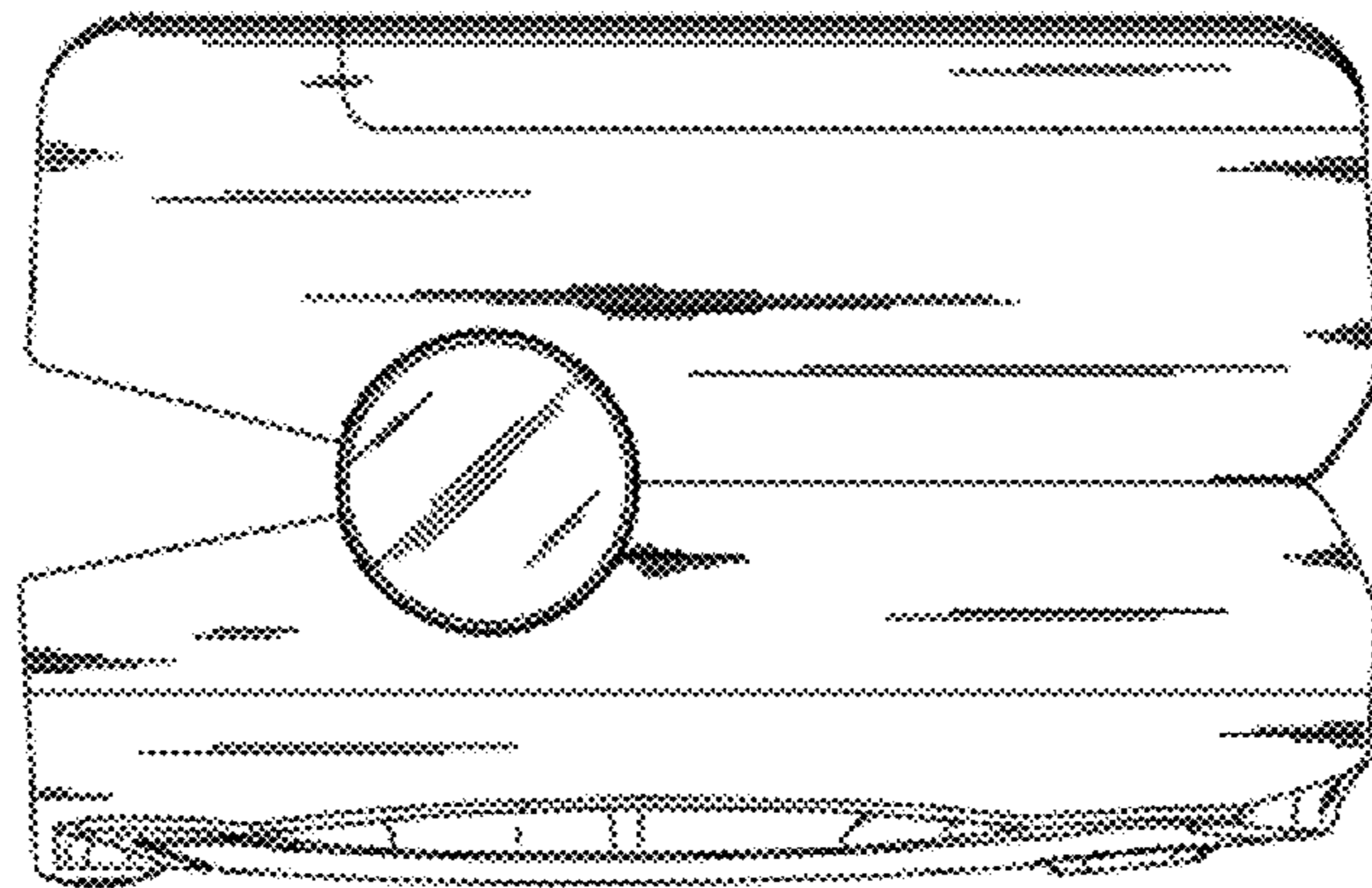


FIG. 7