



US00D670387S

(12) **United States Design Patent**
Christie et al.

(10) **Patent No.:** **US D670,387 S**

(45) **Date of Patent:** **** Nov. 6, 2012**

(54) **DENTAL INSTRUMENT**

(75) Inventors: **Alasdair M. Christie**, Dundee (GB);
Graham Lay, Isle of Man (GB)

(73) Assignee: **3D Diagnostic Imaging plc** (GB)

(**) Term: **14 Years**

(21) Appl. No.: **29/377,600**

(22) Filed: **Oct. 22, 2010**

(30) **Foreign Application Priority Data**

Apr. 22, 2010 (EP) 001211031-0001

(51) **LOC (9) Cl.** **24-02**

(52) **U.S. Cl.** **D24/152**

(58) **Field of Classification Search** D24/152-154,
D24/133, 107, 156, 176; 433/3, 72, 114,
433/118-119, 121, 108, 123, 125-126, 133,
433/166

See application file for complete search history.

(56) **References Cited**

U.S. PATENT DOCUMENTS

1,465,690 A * 8/1923 Smith 433/133
2,135,933 A * 11/1938 Blair 433/126
3,552,021 A * 1/1971 Graceffo et al. 433/121

D378,412 S * 3/1997 Badoz et al. D24/152
D389,912 S * 1/1998 Emerson et al. D24/133
D459,809 S * 7/2002 Mangione D24/152
D551,765 S * 9/2007 Berry Pitts et al. D24/152
D551,994 S * 10/2007 Ahsen-Bore D24/140
D574,081 S * 7/2008 Berry Pitts et al. D24/152

* cited by examiner

Primary Examiner — Wan Laymon

(74) *Attorney, Agent, or Firm* — Andrus, Scales, Starke &
Sawall, LLP

(57) **CLAIM**

We claim the ornamental design for a dental instrument, as shown and described.

DESCRIPTION

FIG. 1 is a perspective view of the dental instrument.

FIG. 2 is a first side view thereof.

FIG. 3 is a second side view thereof.

FIG. 4 is a top plan view thereof.

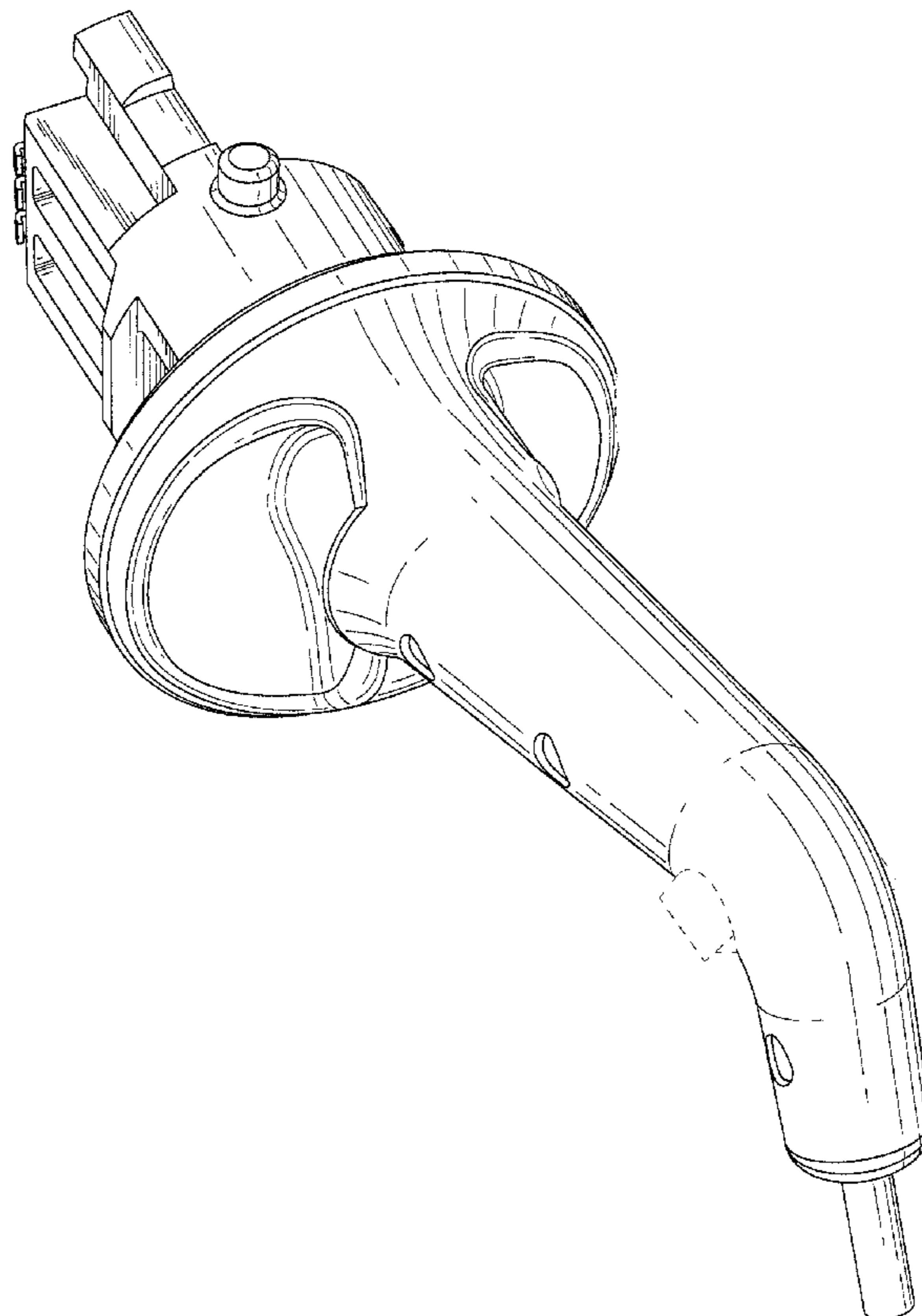
FIG. 5 is a bottom plan view thereof.

FIG. 6 is a front view thereof; and,

FIG. 7 is a back view thereof.

The broken lines immediately adjacent the shaded area represent the bounds while all other broken lines are directed to environment and are for illustrative purposes only; the broken lines form no part of the claimed design.

1 Claim, 6 Drawing Sheets



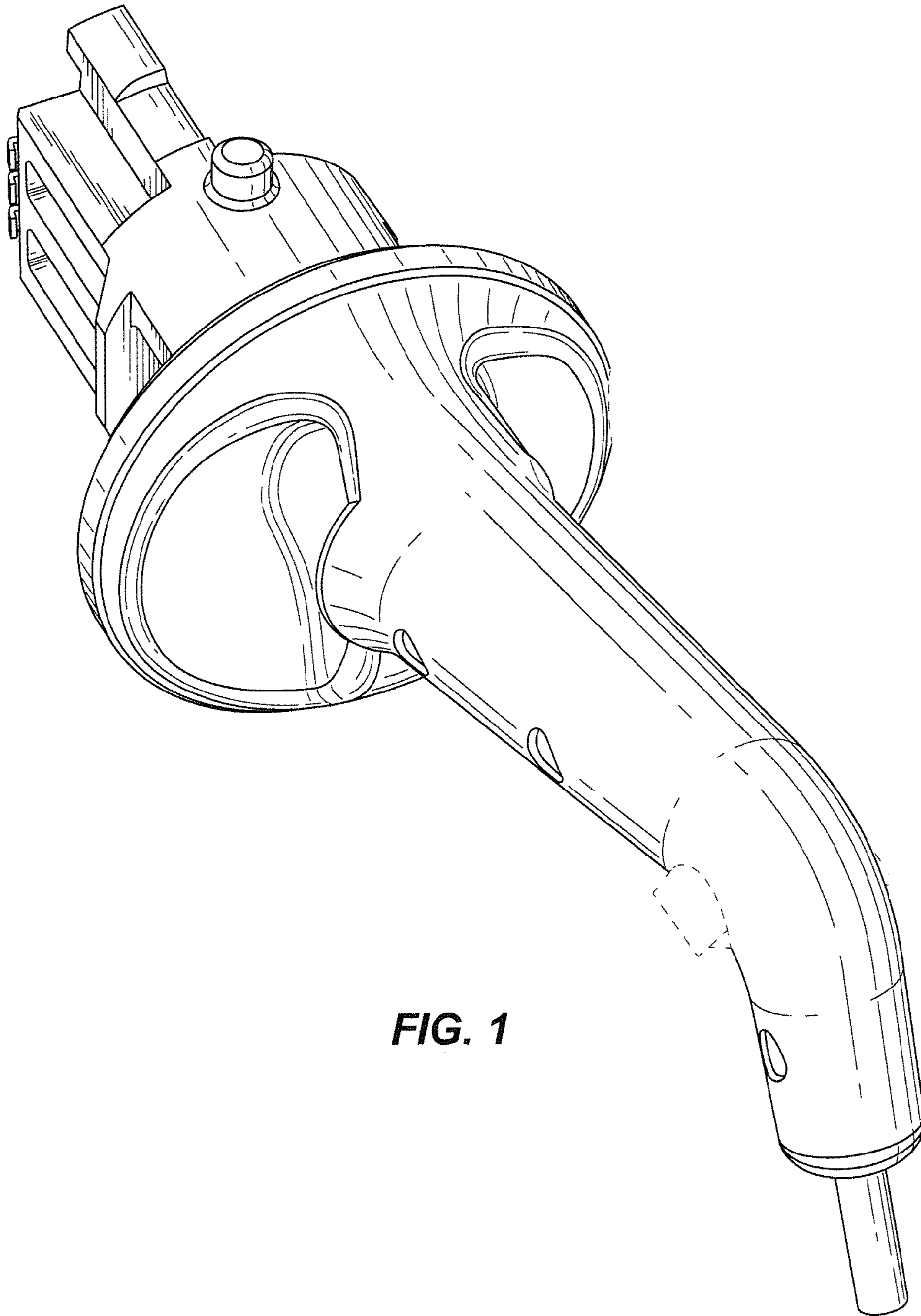


FIG. 1

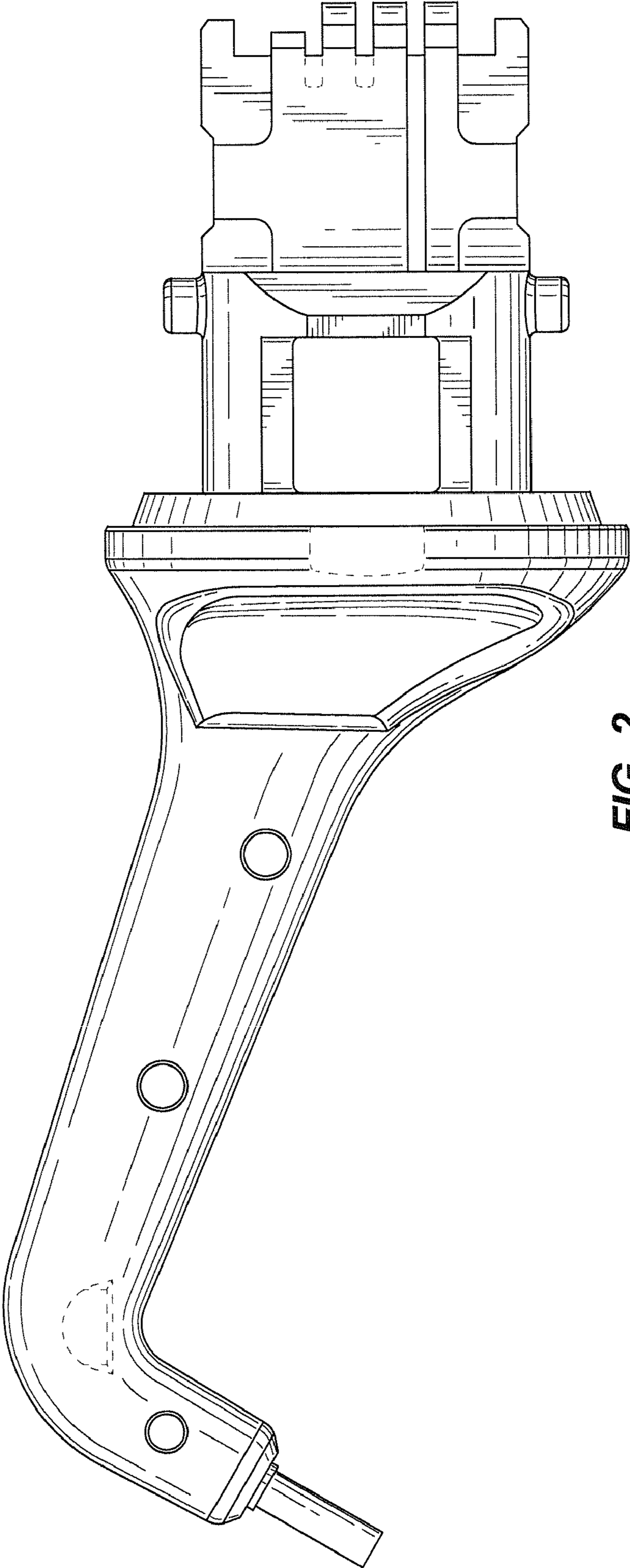


FIG. 2

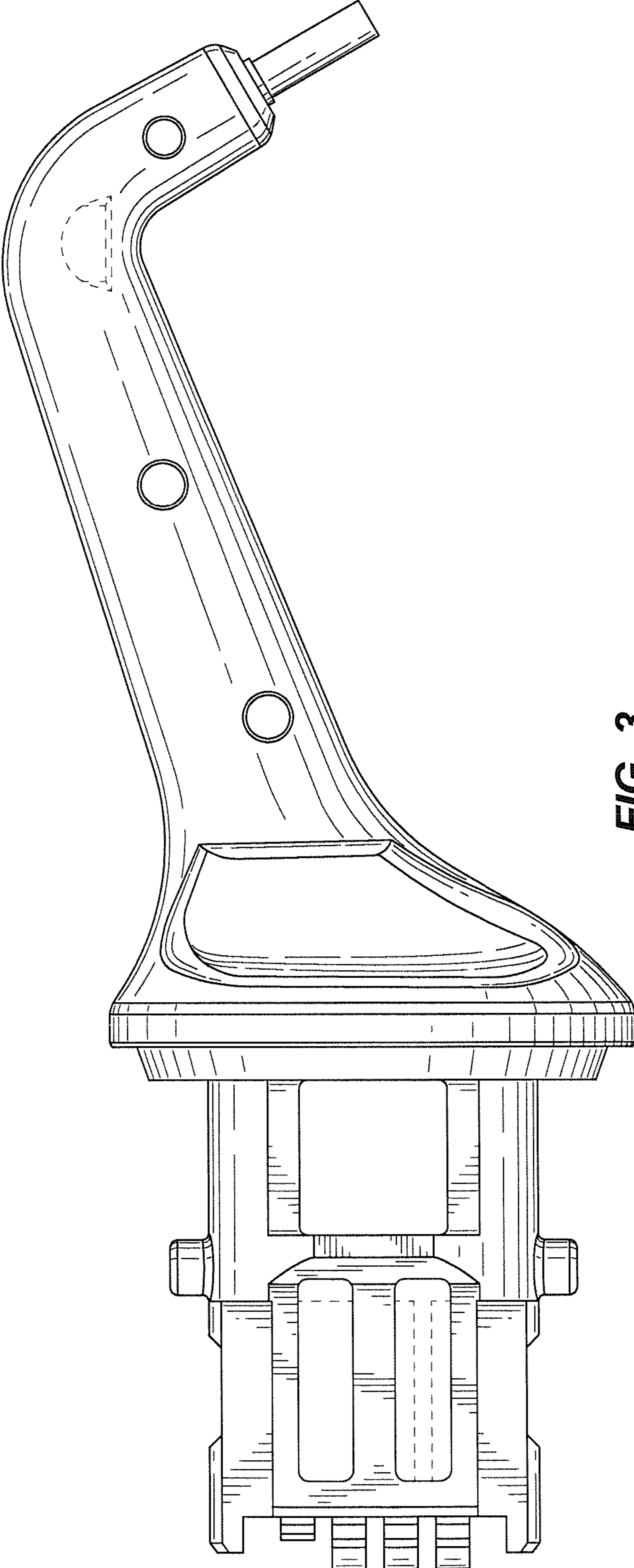


FIG. 3

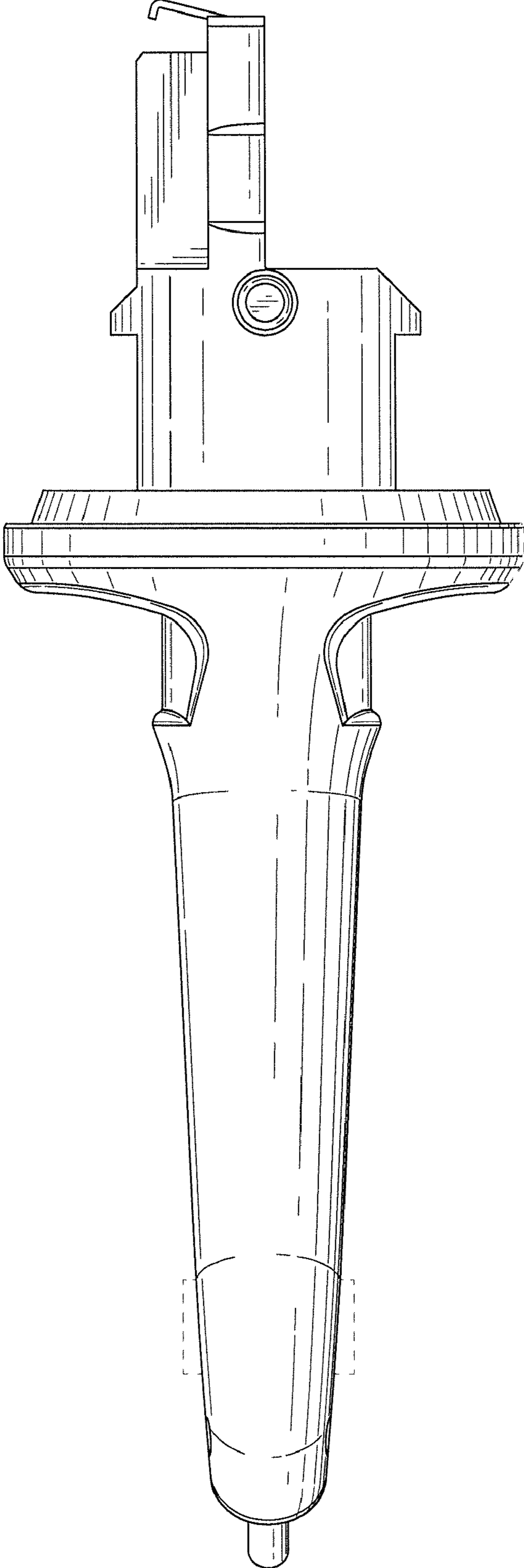


FIG. 4

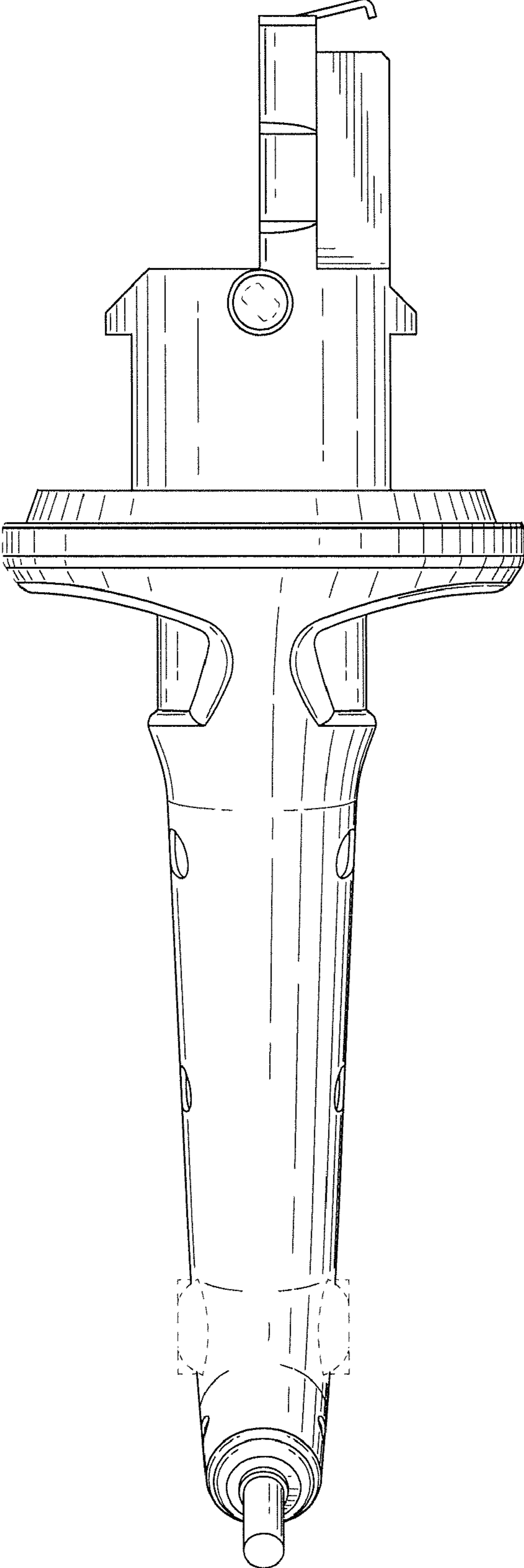


FIG. 5

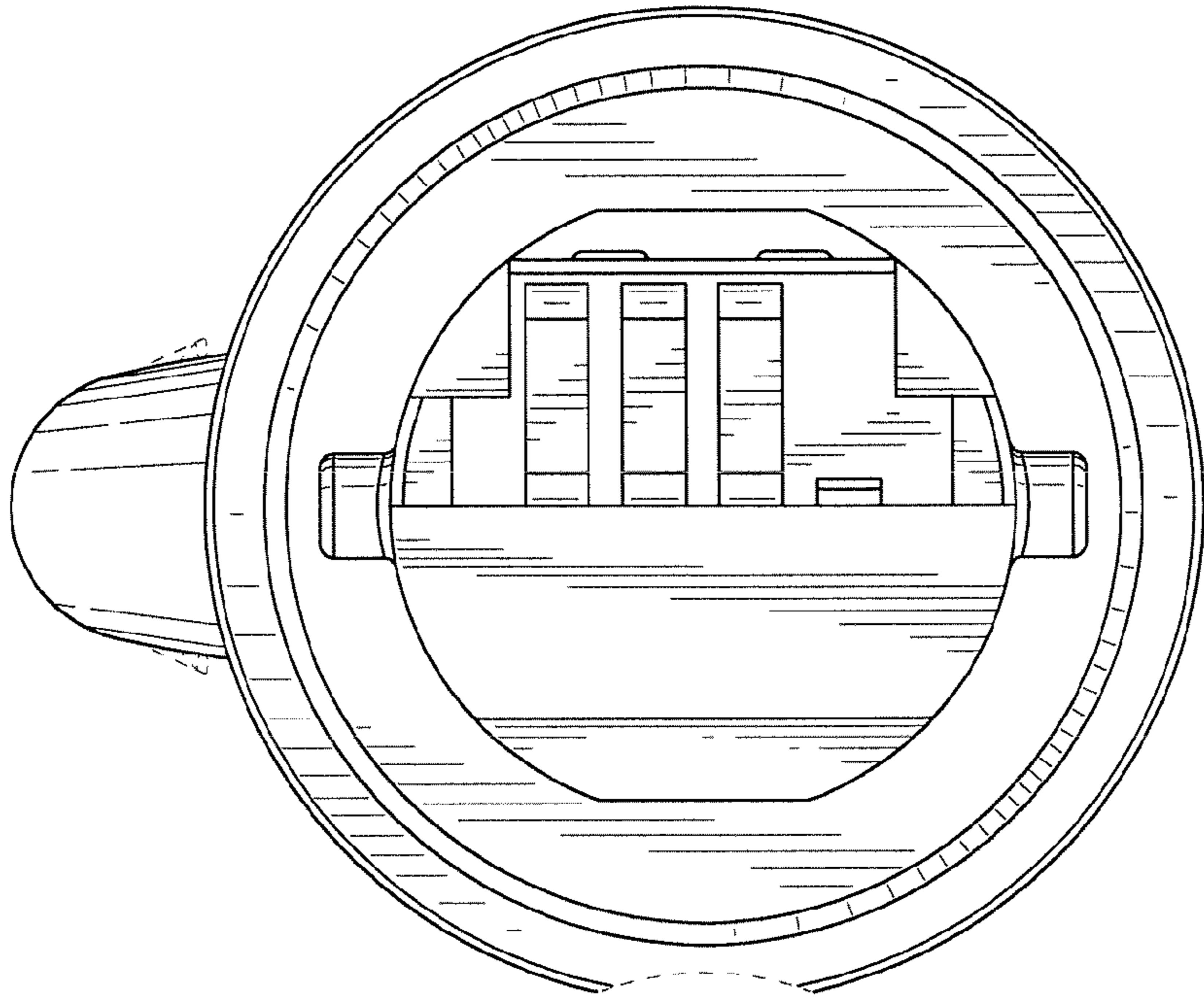


FIG. 7

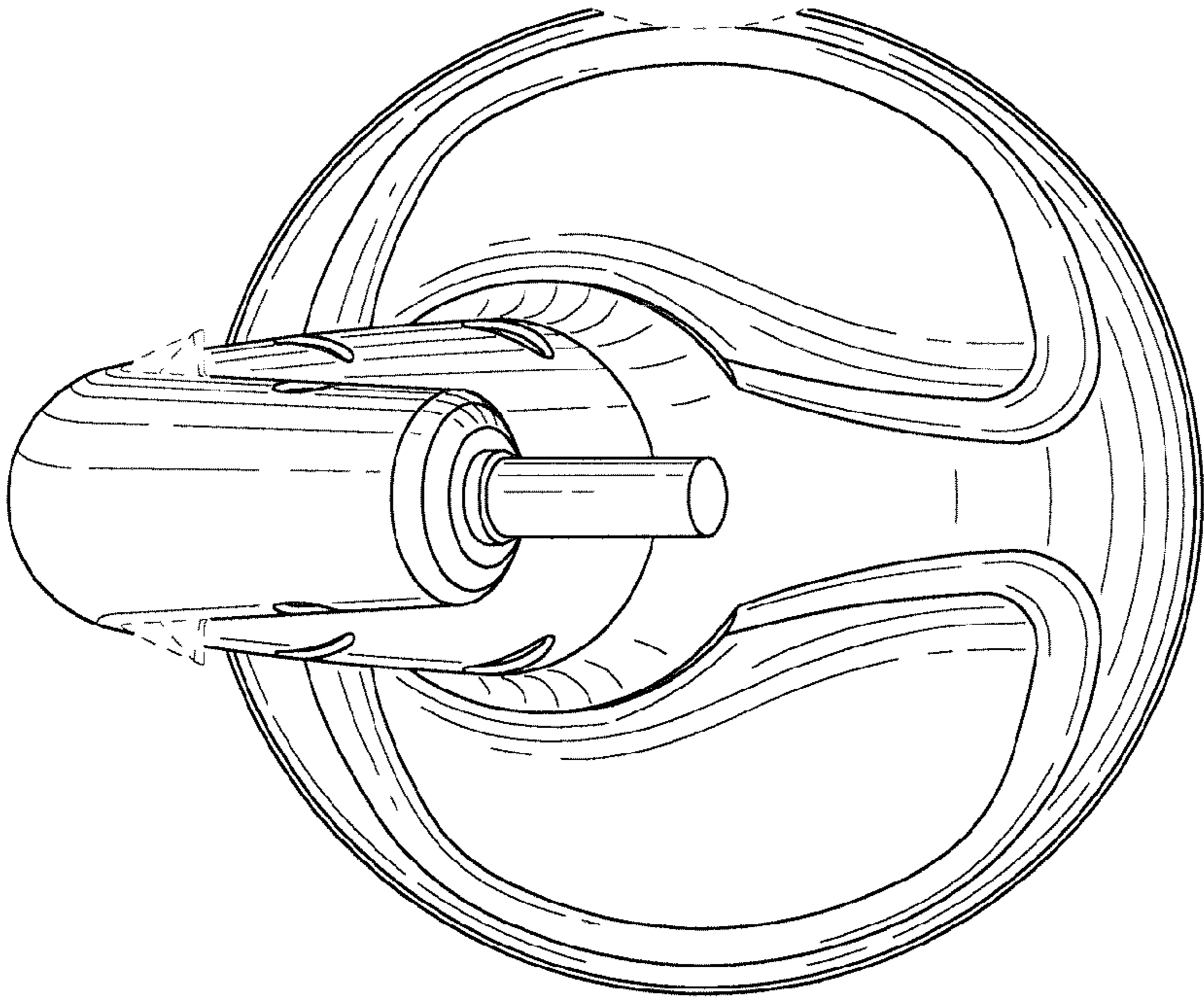


FIG. 6