



US00D670385S

(12) **United States Design Patent**  
**Becker et al.**

(10) **Patent No.:** **US D670,385 S**

(45) **Date of Patent:** **\*\* \*Nov. 6, 2012**

(54) **OPTICAL UNIT FOR MEDICAL DEVICE**

(75) Inventors: **Wolfram Becker**, Laer (DE); **Peter Eisenkolb**, Tuttlingen (DE)

(73) Assignee: **Karl Storz GmbH & Co. KG**, Tuttlingen (DE)

(\*) Notice: This patent is subject to a terminal disclaimer.

(\*\*) Term: **14 Years**

(21) Appl. No.: **29/401,042**

(22) Filed: **Sep. 6, 2011**

(30) **Foreign Application Priority Data**

Mar. 3, 2011 (EM) ..... 001830274-0005

(51) **LOC (9) Cl.** ..... **24-02**

(52) **U.S. Cl.** ..... **D24/138**

(58) **Field of Classification Search** ..... D24/133, D24/137, 138; 600/101-183

See application file for complete search history.

(56) **References Cited**

**U.S. PATENT DOCUMENTS**

6,743,166	B2 *	6/2004	Berci et al.	600/120
D533,941	S *	12/2006	Furst et al.	D24/138
D598,099	S *	8/2009	Halbig	D24/138
D612,497	S *	3/2010	Berci	D24/138
D637,718	S *	5/2011	Eisenkolb	D24/138
D637,719	S *	5/2011	Eisenkolb	D24/138
D638,542	S *	5/2011	Eisenkolb	D24/138
D647,614	S *	10/2011	Becker	D24/138
D647,615	S *	10/2011	Becker	D24/138

D648,022	S *	11/2011	Becker	D24/138
D650,077	S *	12/2011	Becker	D24/138
D657,463	S *	4/2012	Becker	D24/138
2010/0022838	A1 *	1/2010	Hoeg	600/131

\* cited by examiner

*Primary Examiner* — Bridget L Eland

(74) *Attorney, Agent, or Firm* — Muncy, Geissler, Olds & Lowe, PLLC

(57) **CLAIM**

The ornamental design for a optical unit for medical device, as shown and described.

**DESCRIPTION**

FIG. 1 is a left side elevational view of an optical unit for medical device according to the present invention.

FIG. 2 is a right side elevational view of the optical unit for medical device of FIG. 1.

FIG. 3 is a front elevational view of the optical unit for medical device of FIG. 1.

FIG. 4 is a rear elevational view of the optical unit for medical device of FIG. 1.

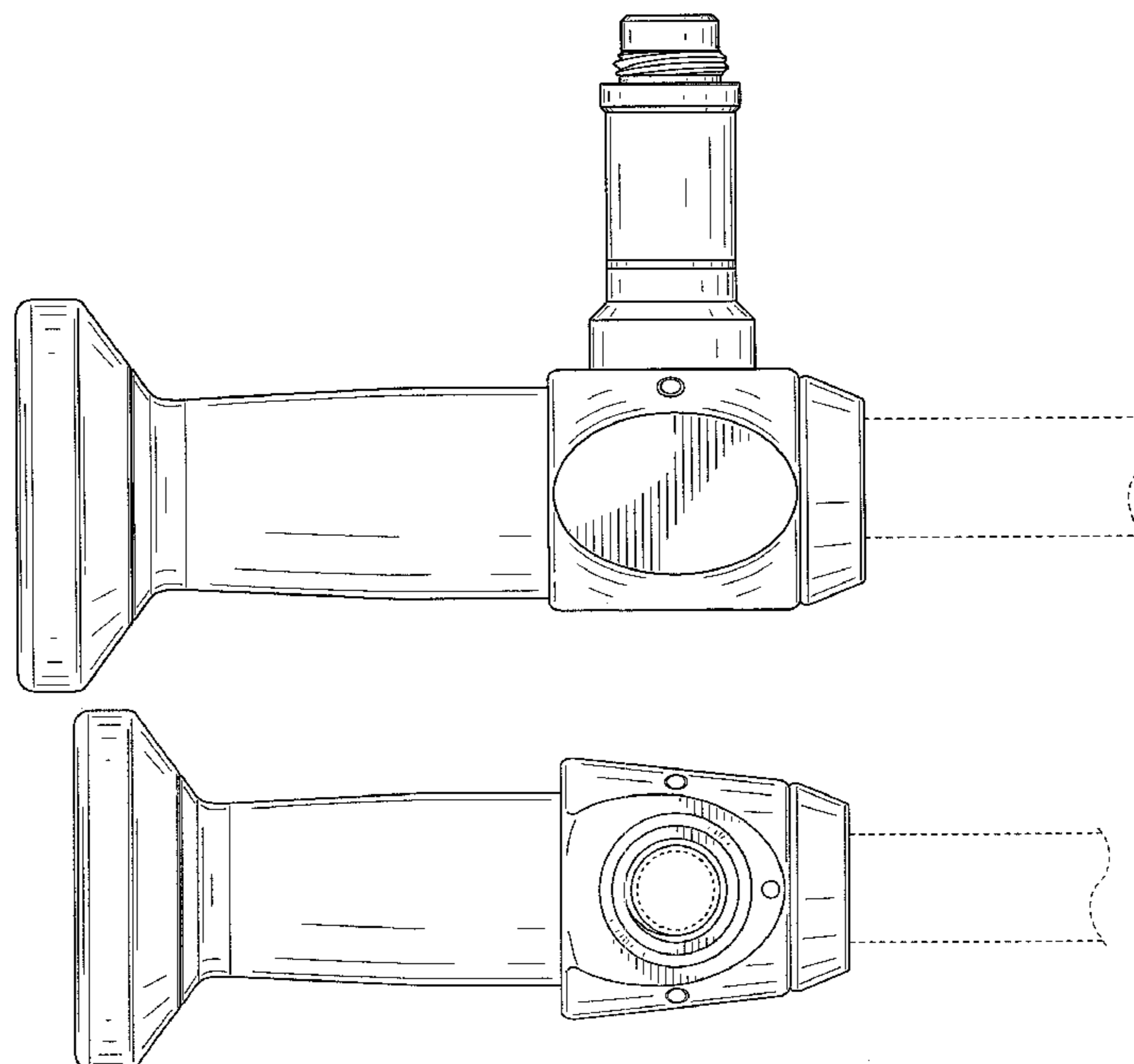
FIG. 5 is a top plan view of the optical unit for medical device of FIG. 1.

FIG. 6 is a bottom plan view of the optical unit for medical device of FIG. 1; and,

FIG. 7 is a three quarter view of the optical unit for medical device of FIG. 1.

The broken lines immediately adjacent the shaded areas represent the bounds of the claimed design while all other broken lines are directed to environment and are for illustrative purposes only; the broken lines form no part of the claimed design.

**1 Claim, 7 Drawing Sheets**



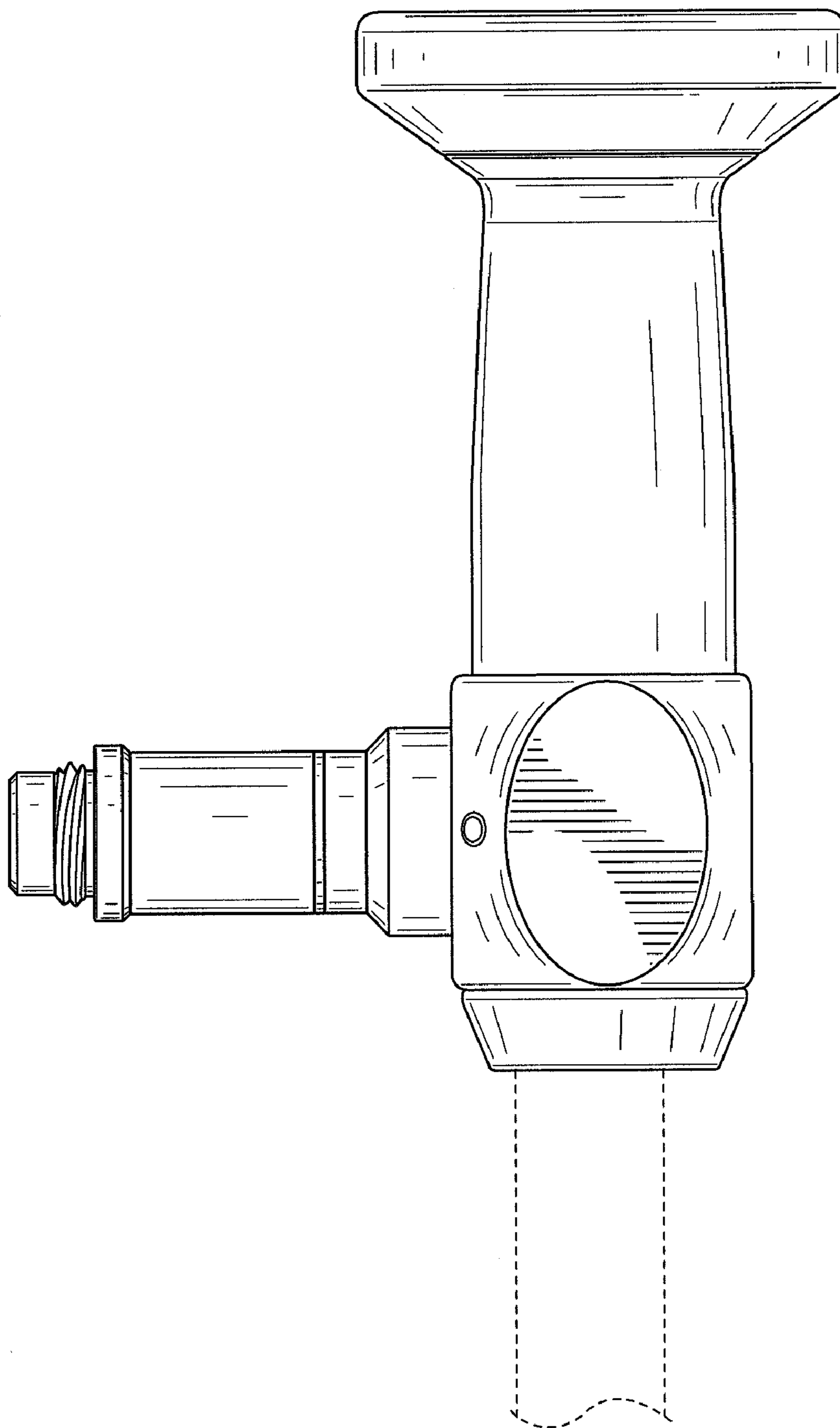


FIG. 1

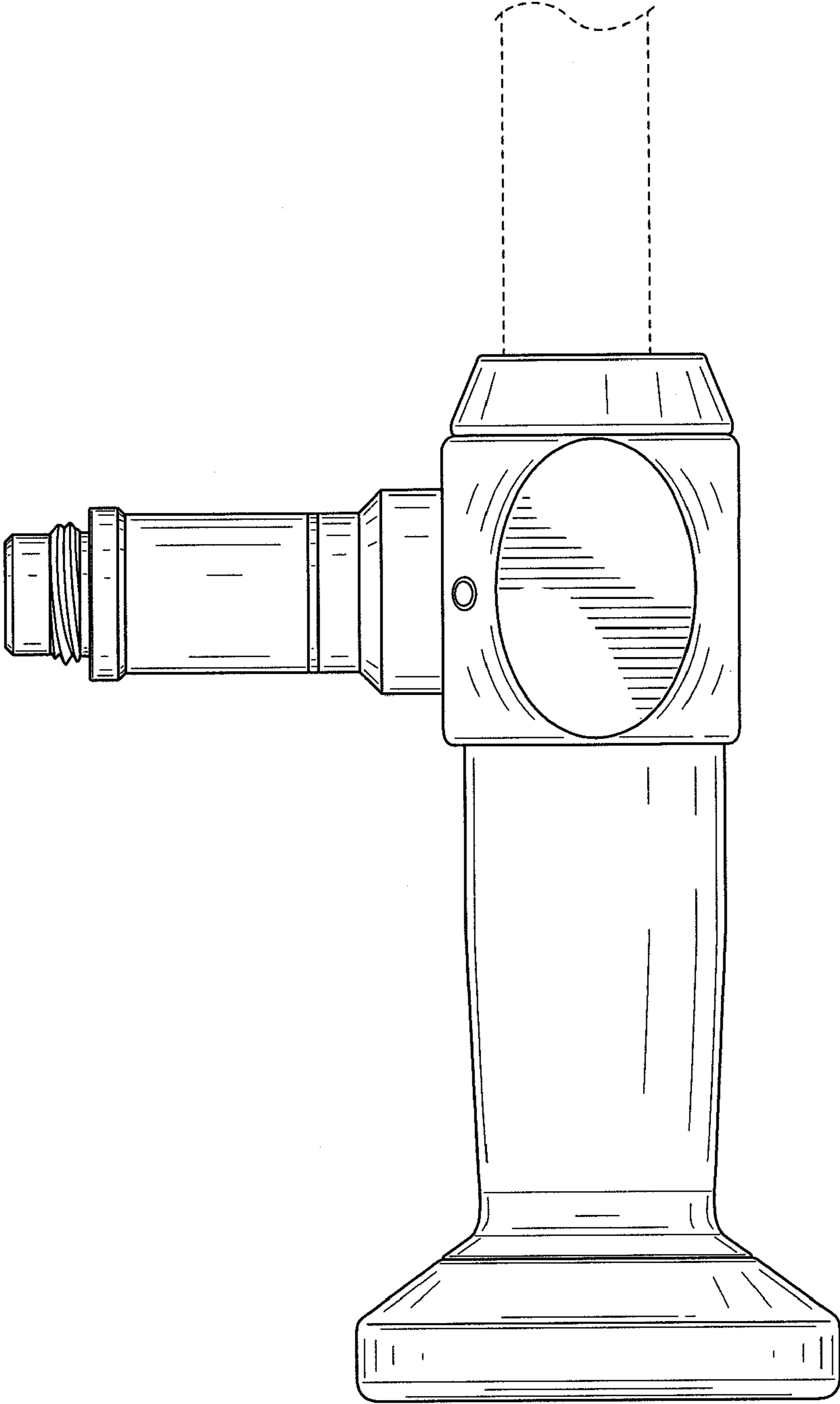
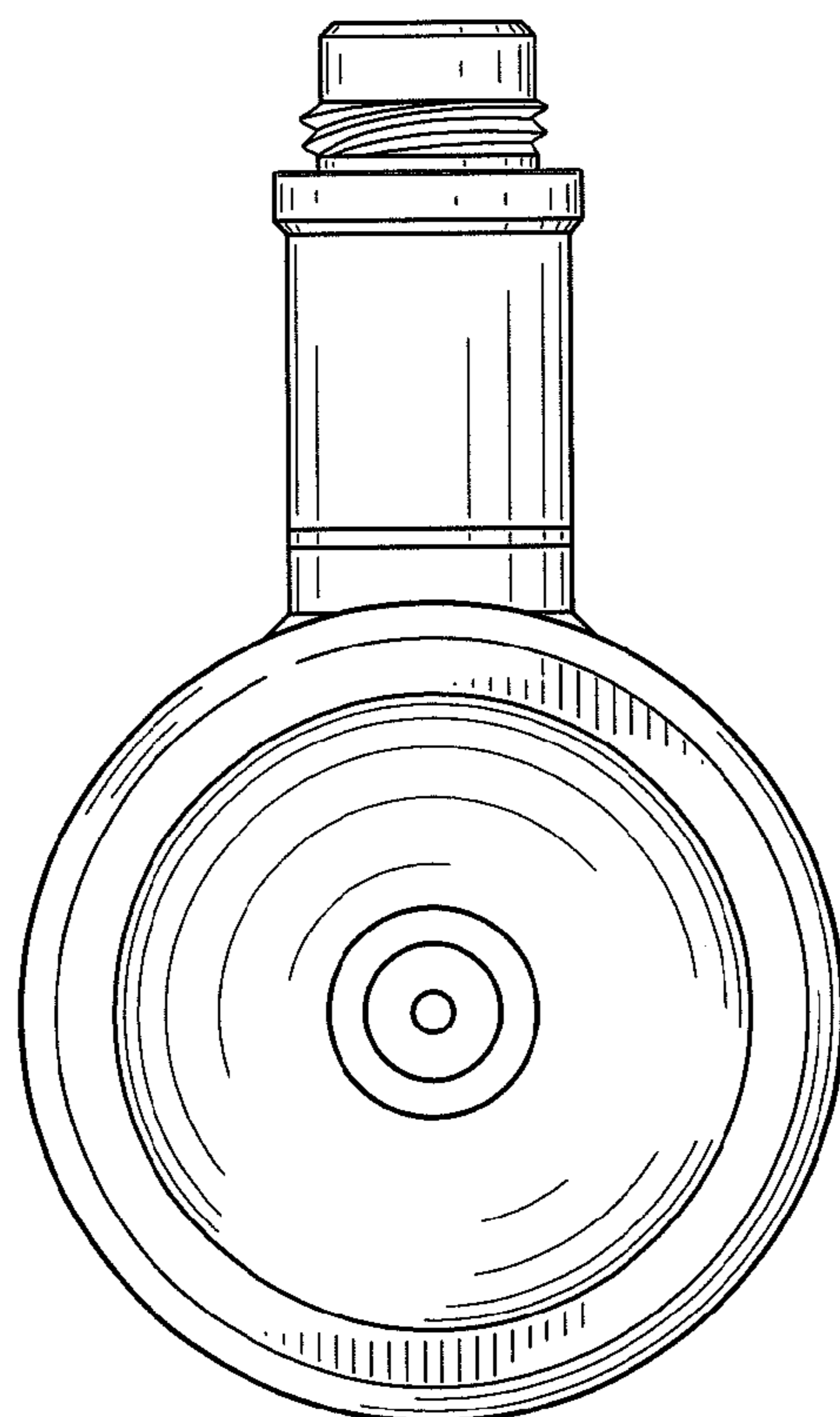
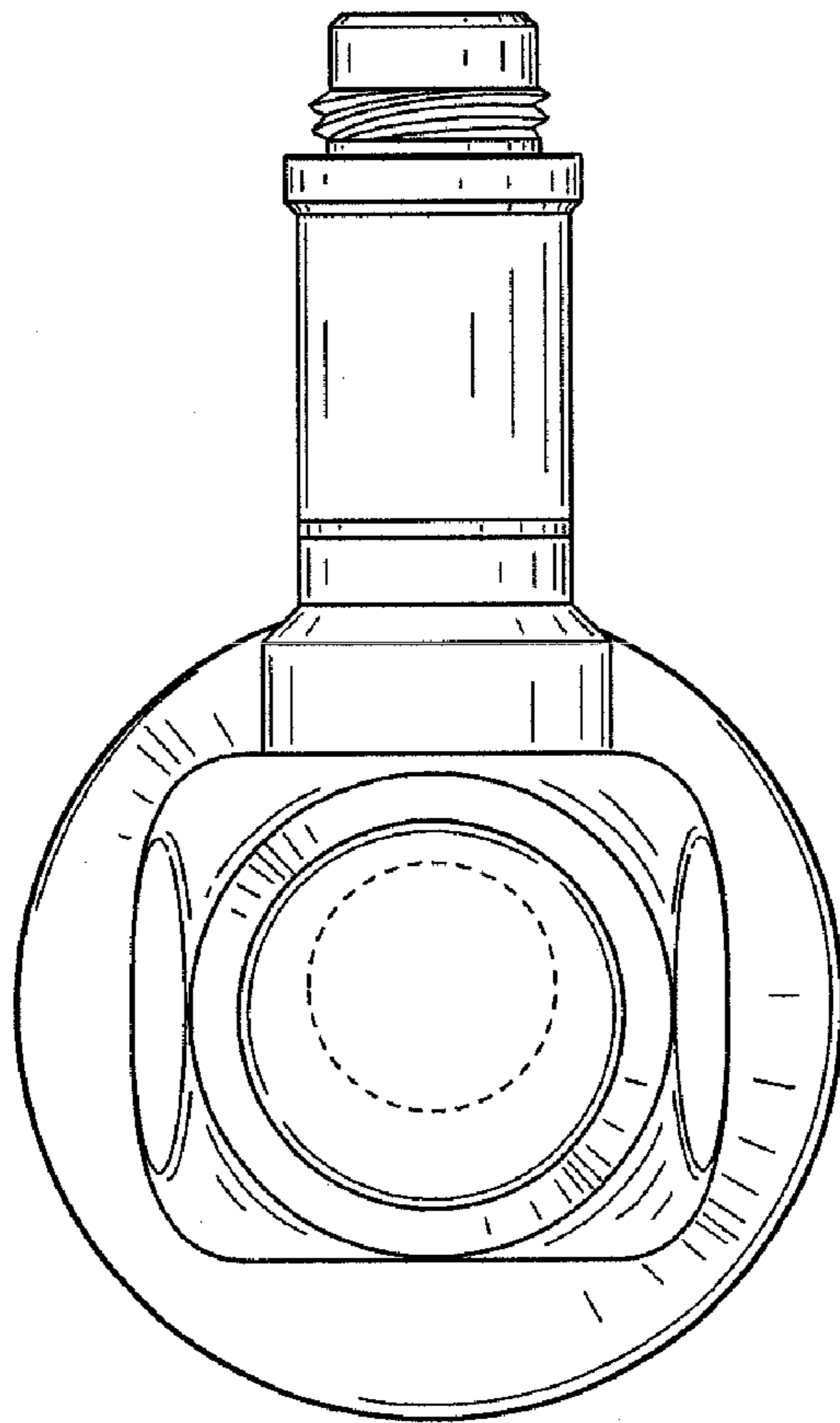


FIG. 2



**FIG. 3**



**FIG. 4**

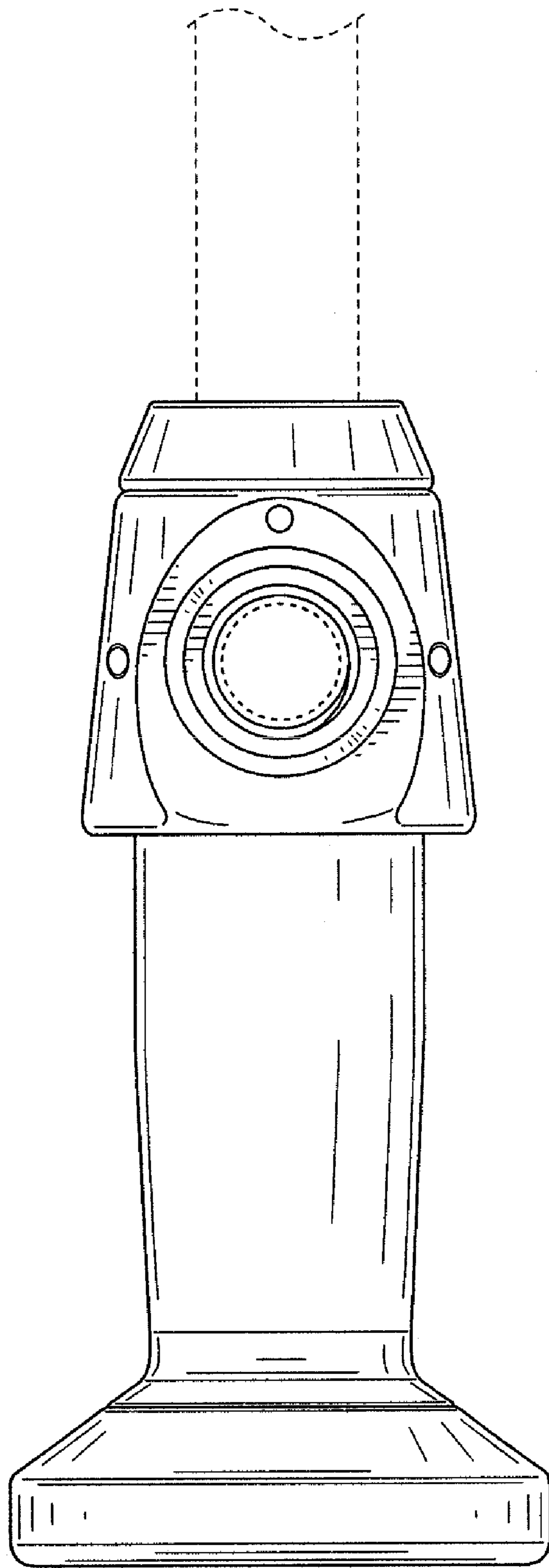


FIG. 5

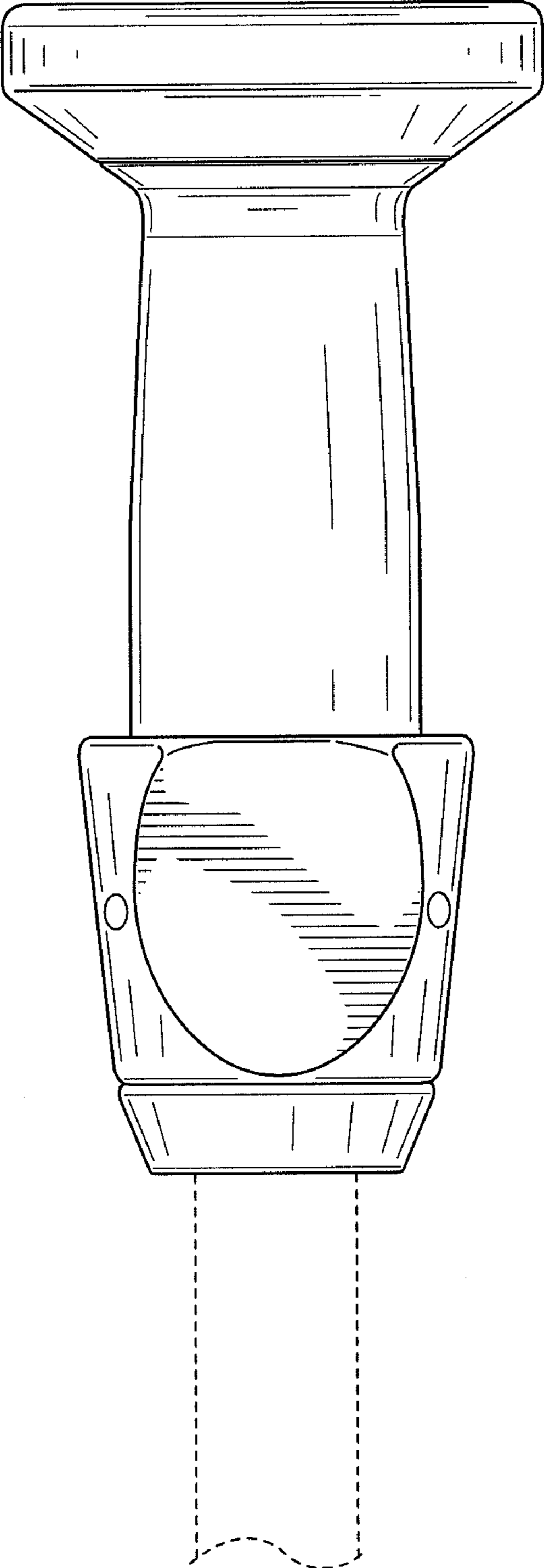
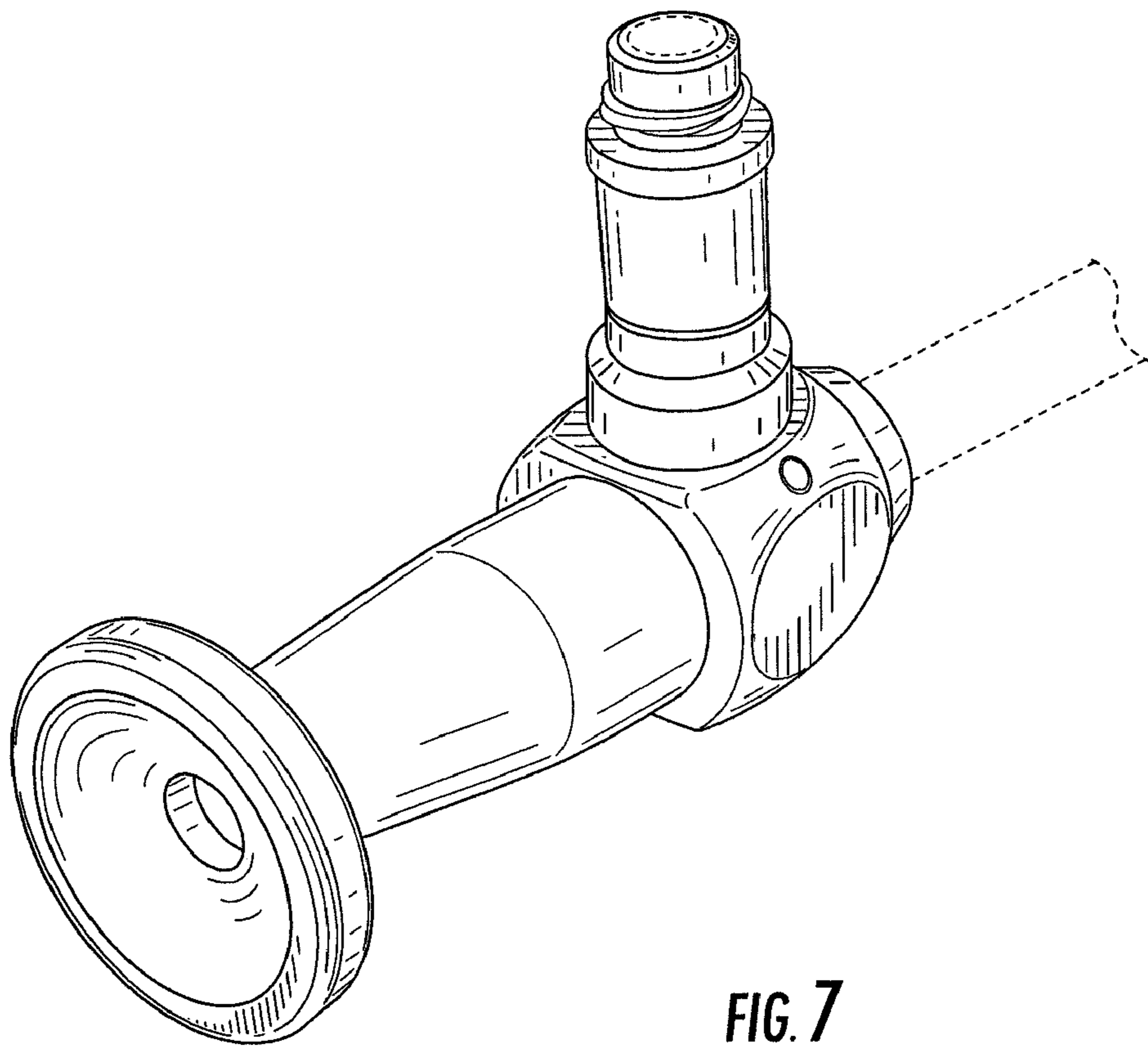


FIG. 6



**FIG. 7**