



US00D670384S

(12) **United States Design Patent**
Tanaka

(10) **Patent No.:** **US D670,384 S**
(45) **Date of Patent:** **** Nov. 6, 2012**

(54) **CONTROLLER FOR ENDOSCOPE**

(75) Inventor: **Kunihiko Tanaka**, Tokyo (JP)

(73) Assignee: **Fujinon Corporation**, Saitama-shi (JP)

(**) Term: **14 Years**

(21) Appl. No.: **29/398,809**

(22) Filed: **Aug. 4, 2011**

Related U.S. Application Data

(60) Continuation of application No. 29/368,948, filed on Aug. 31, 2010, now Pat. No. Des. 643,922, which is a continuation of application No. 29/341,367, filed on Aug. 4, 2009, now Pat. No. Des. 624,650, which is a division of application No. 29/309,024, filed on Jun. 12, 2008, now Pat. No. Des. 600,345.

(30) **Foreign Application Priority Data**

Dec. 14, 2007	(JP)	2007-034316
Dec. 14, 2007	(JP)	2007-034317
Dec. 14, 2007	(JP)	2007-034318
Dec. 14, 2007	(JP)	2007-034319
Dec. 14, 2007	(JP)	2007-034320
Dec. 14, 2007	(JP)	2007-034321

(51) **LOC (9) Cl.** **24-02**

(52) **U.S. Cl.** **D24/138**

(58) **Field of Classification Search** D24/107,
D24/138, 144, 170, 186; D10/46, 78, 81,
D10/103, 122, 124-125; D12/192; D14/348,
D14/356; D16/219, 235, 225, 230; D18/50;
348/71-72; 600/132, 144, 160, 170, 178

See application file for complete search history.

(56) **References Cited**

U.S. PATENT DOCUMENTS

D310,120	S	*	8/1990	Wickham et al.	D24/186
D353,390	S		12/1994	Zavracky et al.		
D354,076	S		1/1995	Fukuda et al.		
D373,379	S		9/1996	Sugimoto		
D393,278	S		4/1998	Lee		
D402,680	S		12/1998	Gotham et al.		
D420,986	S		2/2000	Kelley et al.		

(Continued)

FOREIGN PATENT DOCUMENTS

CN 200830129231 8/2009

(Continued)

OTHER PUBLICATIONS

U.S. Office Action dated Feb. 4, 2011 for U.S. Appl. No. 29/368,948.

(Continued)

Primary Examiner — Wan Laymon

(74) *Attorney, Agent, or Firm* — Birch, Stewart, Kolasch & Birch, LLP

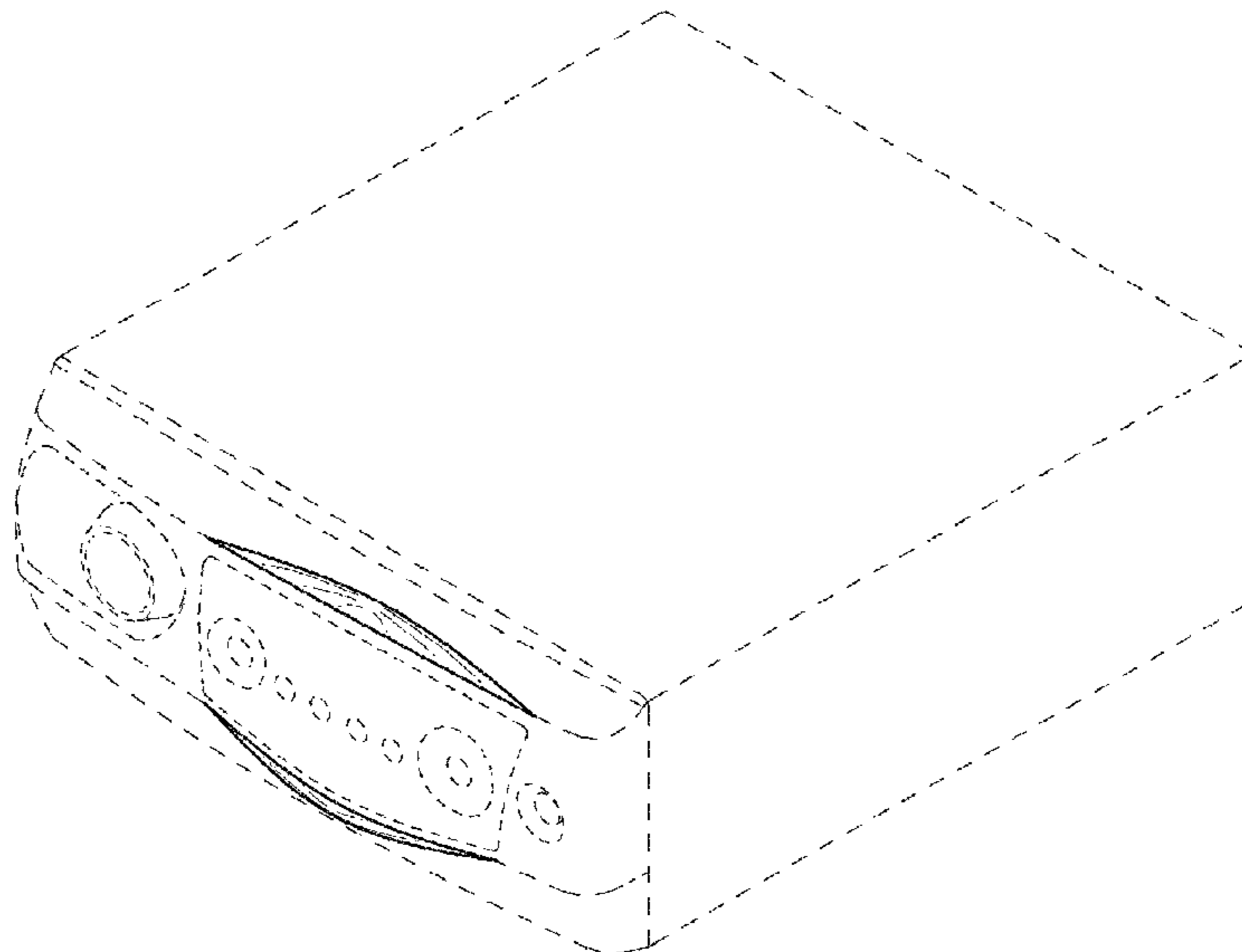
(57) **CLAIM**

The ornamental design for a controller for endoscope, as shown and described.

DESCRIPTION

FIG. 1 is a top, front and side perspective view of a controller for endoscope showing an embodiment of my new design; FIG. 2 is a front elevational view thereof; FIG. 3 is a top plan view thereof; FIG. 4 is a bottom plan view thereof; FIG. 5 is a right side elevational view thereof; and, FIG. 6 is a left side elevational view thereof. The broken lines shown throughout the views, which are immediately adjacent to the shaded areas represent the bounds of the claimed design, while all other broken lines are directed to environment and are for illustrative purposes only; the broken lines form no part of the claimed design.

1 Claim, 4 Drawing Sheets



US D670,384 S

Page 2

U.S. PATENT DOCUMENTS

D427,596 S 7/2000 Tsai
D434,794 S 12/2000 Bokelman et al.
D456,443 S 4/2002 Igarashi
D457,886 S 5/2002 Sekine
D462,963 S 9/2002 Yamano
D467,583 S 12/2002 Chen et al.
D477,408 S 7/2003 Bromley
D524,361 S 7/2006 Niimi et al.
D532,904 S 11/2006 Hayamizu
D534,275 S 12/2006 Hayamizu
D535,745 S 1/2007 Hayamizu
D546,383 S 7/2007 Wang
D548,776 S 8/2007 Egami et al.
D550,357 S 9/2007 Hayamizu
D552,169 S 10/2007 Egami et al.
D552,241 S 10/2007 Bromley et al.
D565,631 S 4/2008 Morishita
D578,568 S 10/2008 Chiba et al.
D598,098 S 8/2009 Tanaka
D598,100 S 8/2009 Tanaka

D600,345 S 9/2009 Tanaka
D609,740 S * 2/2010 Penke D18/50
D624,650 S * 9/2010 Tanaka D24/138
2005/0267333 A1 12/2005 Hino
2006/0052663 A1 3/2006 Koitabashi
2008/0242936 A1 10/2008 Hino

FOREIGN PATENT DOCUMENTS

CN 200830127918 9/2009
KR 3020080023425 9/2009
KR 3020080023426 9/2009

OTHER PUBLICATIONS

U.S. Office Action dated Mar. 20, 2009 for U.S. Appl. No. 29/309,024.
U.S. Office Action dated Dec. 30, 2009 for U.S. Appl. No. 29/341,367.
U.S. Office Action dated Mar. 22, 2010 for U.S. Appl. No. 29/341,367.

* cited by examiner

FIG. 1

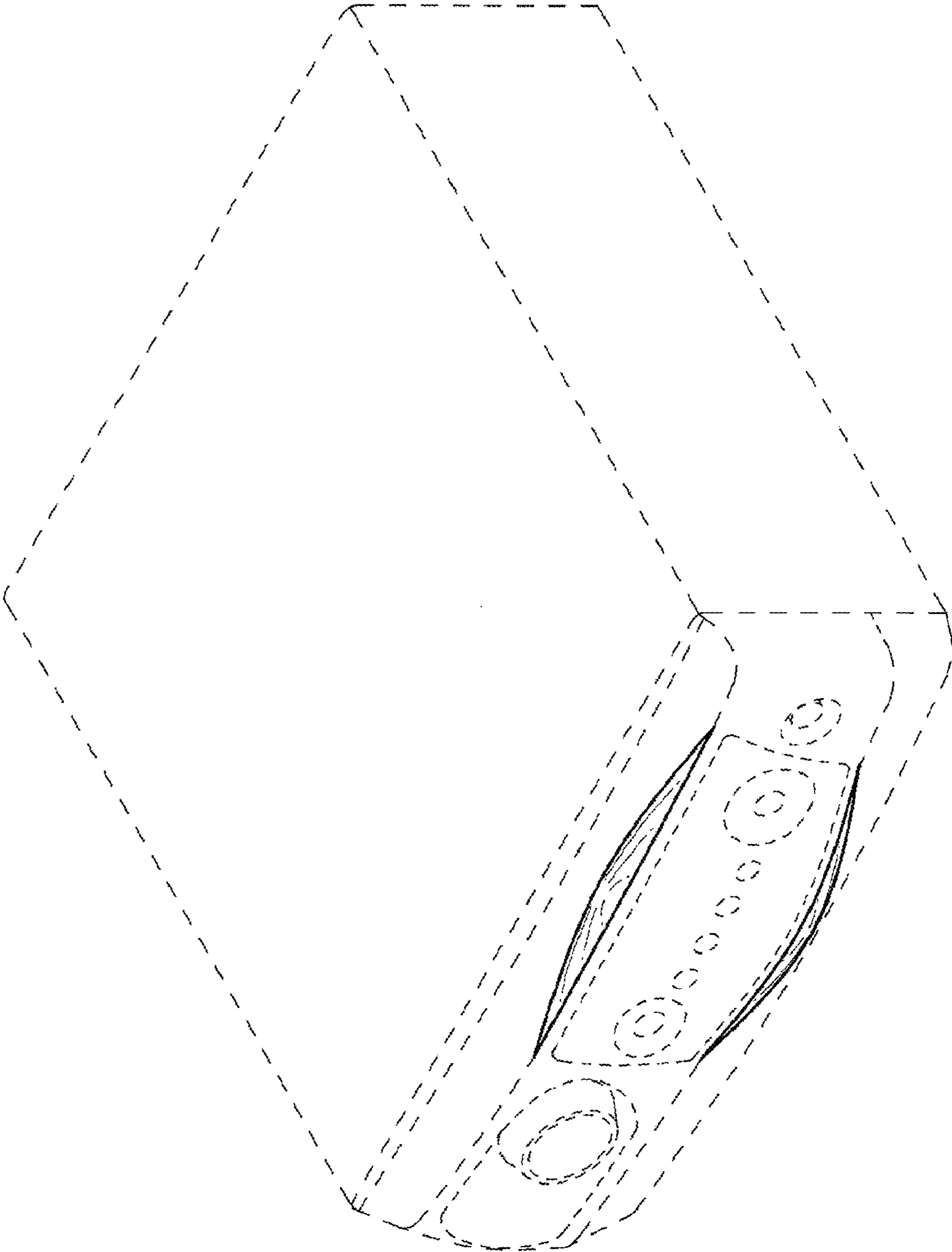


FIG. 2

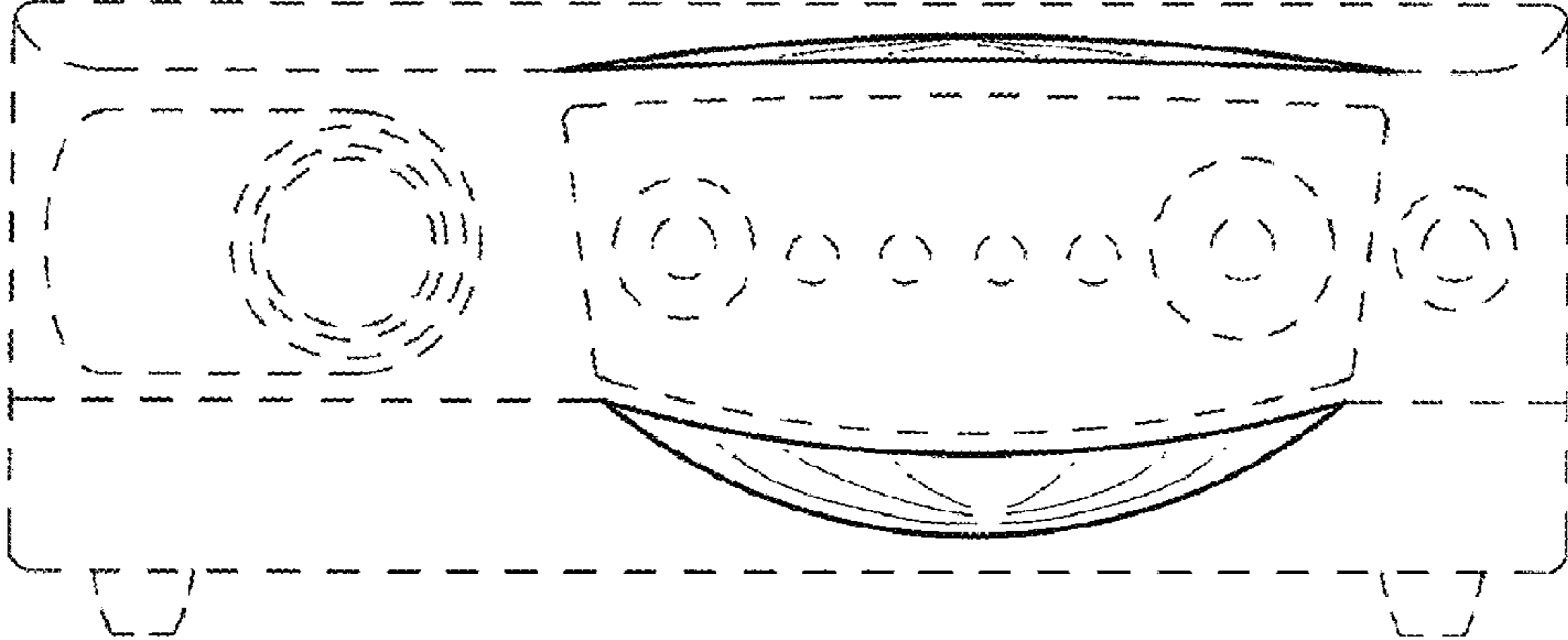


FIG. 3

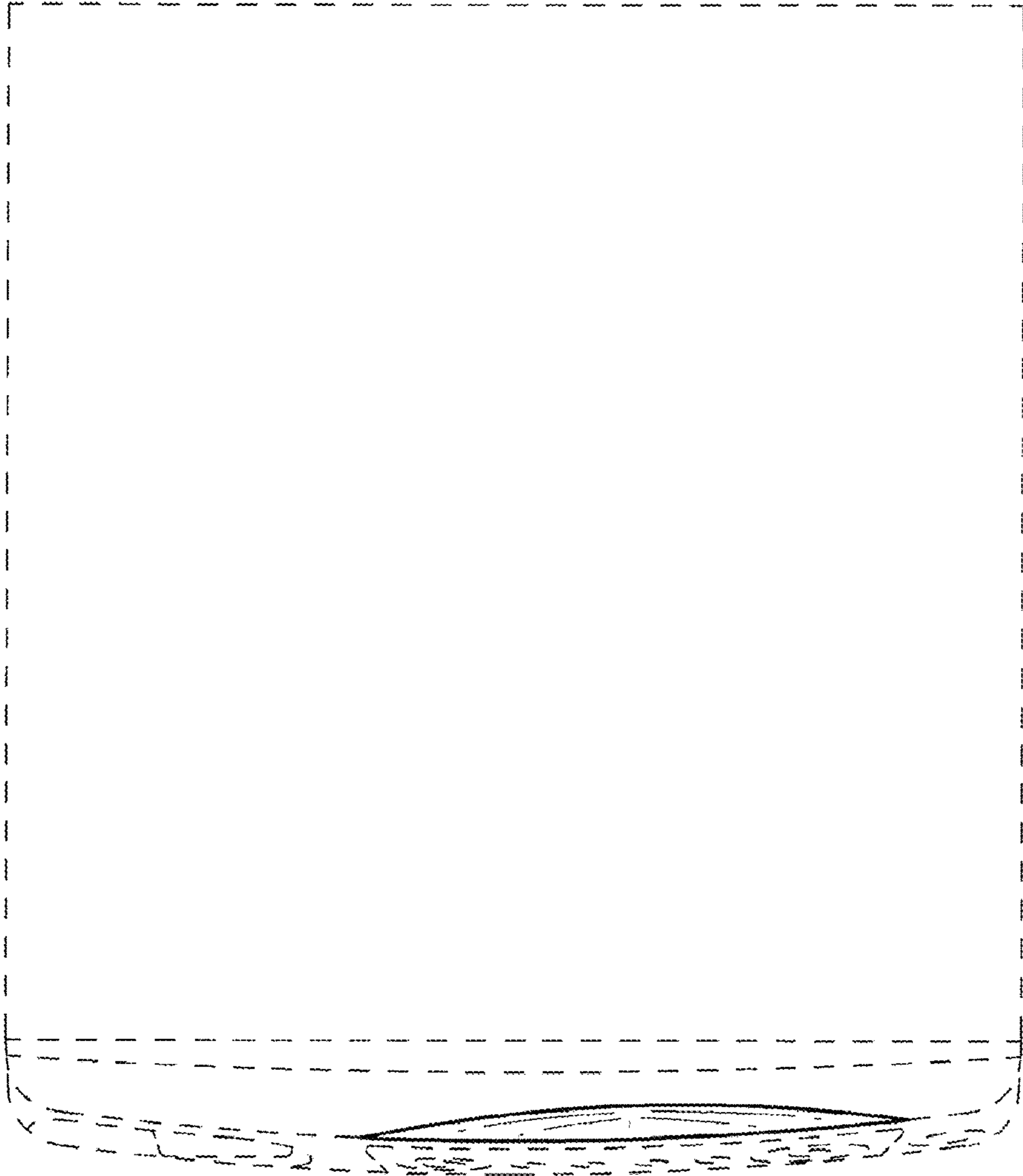


FIG. 4

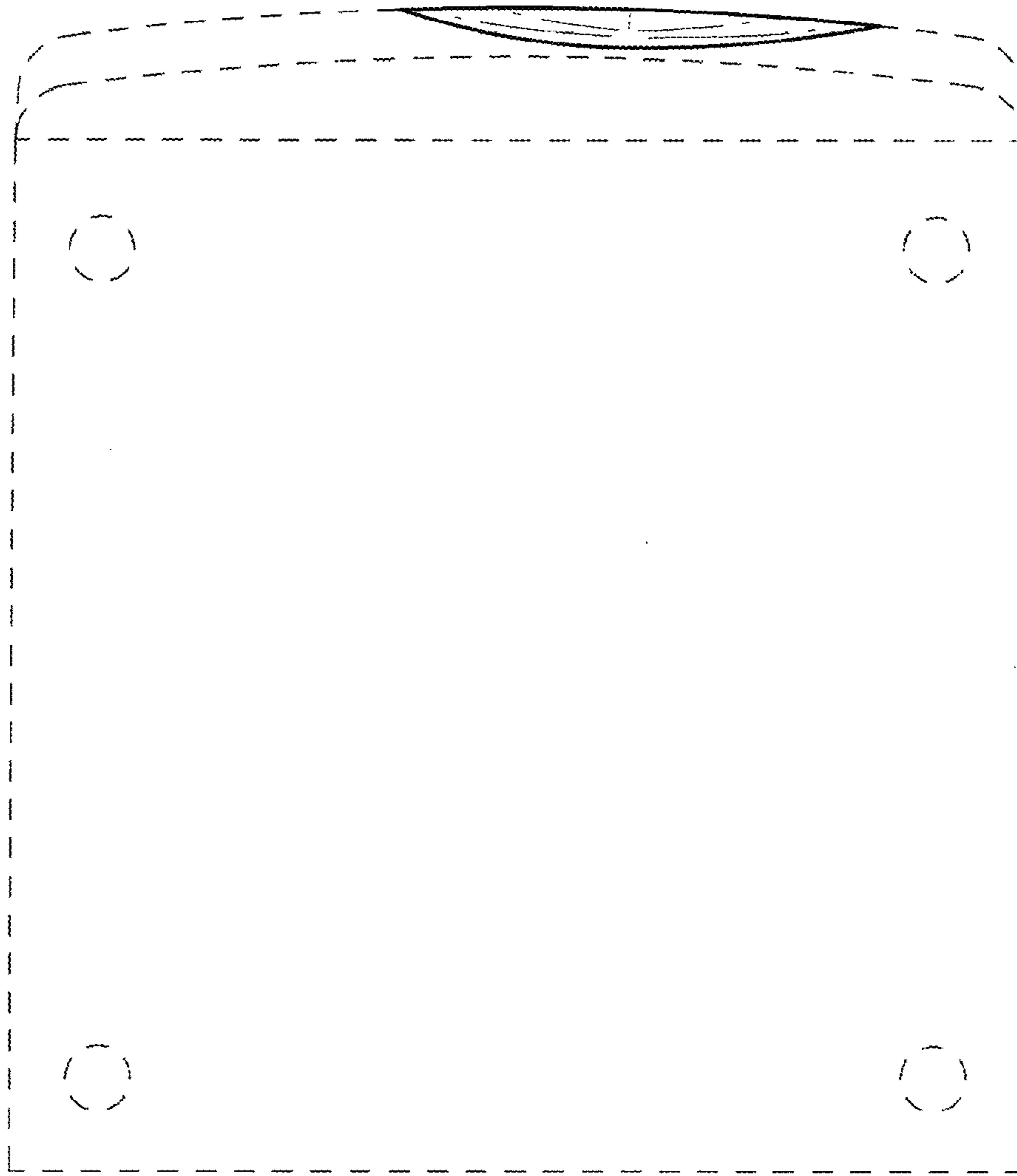


FIG. 5



FIG. 6

