



US00D670383S

(12) **United States Design Patent**
Eisenkolb et al.

(10) **Patent No.:** **US D670,383 S**

(45) **Date of Patent:** **** *Nov. 6, 2012**

(54) **EYEPIECE CUP**

(75) Inventors: **Peter Eisenkolb**, Tuttlingen (DE);
Martin Lehmann, Zoznegg (DE)

(73) Assignee: **Karl Storz GmbH & Co. KG** (DE)

(*) Notice: This patent is subject to a terminal disclaimer.

(**) Term: **14 Years**

(21) Appl. No.: **29/391,910**

(22) Filed: **May 13, 2011**

(30) **Foreign Application Priority Data**

Nov. 15, 2010 (EM) 001781360-0008
Nov. 15, 2010 (EM) 001781360-0009

(51) **LOC (9) Cl.** **24-02**

(52) **U.S. Cl.** **D24/137**

(58) **Field of Classification Search** D24/138,
D24/137, 133; 600/101-183

See application file for complete search history.

(56) **References Cited**

U.S. PATENT DOCUMENTS

D286,566	S *	11/1986	Vukovic	D24/138
4,656,999	A *	4/1987	Storz	600/104
5,792,045	A *	8/1998	Adair	600/125
6,201,649	B1 *	3/2001	Rudischhauser et al.	359/808
6,398,723	B1 *	6/2002	Kehr et al.	600/160
D463,553	S *	9/2002	Topala	D24/138
6,743,166	B2 *	6/2004	Berci et al.	600/120
D533,941	S *	12/2006	Furst et al.	D24/138

D598,099	S *	8/2009	Halbig	D24/138
D611,600	S *	3/2010	Stammberger et al.	D24/138
D612,497	S *	3/2010	Berci	D24/138
7,722,531	B1 *	5/2010	Boche	600/118
D637,718	S *	5/2011	Eisenkolb	D24/138
D637,719	S *	5/2011	Eisenkolb	D24/138
D638,542	S *	5/2011	Eisenkolb	D24/138
D645,963	S *	9/2011	Buerk et al.	D24/138
D647,614	S *	10/2011	Becker	D24/138
D647,615	S *	10/2011	Becker	D24/138
D647,616	S *	10/2011	Becker	D24/138
D648,022	S *	11/2011	Becker	D24/138
D650,077	S *	12/2011	Becker	D24/138
2007/0088201	A1 *	4/2007	Eisenkolb	600/182
2008/0195128	A1 *	8/2008	Orbay et al.	606/170

* cited by examiner

Primary Examiner — Bridget L Eland

(74) *Attorney, Agent, or Firm* — St. Onge Steward Johnston & Reens LLC

(57) **CLAIM**

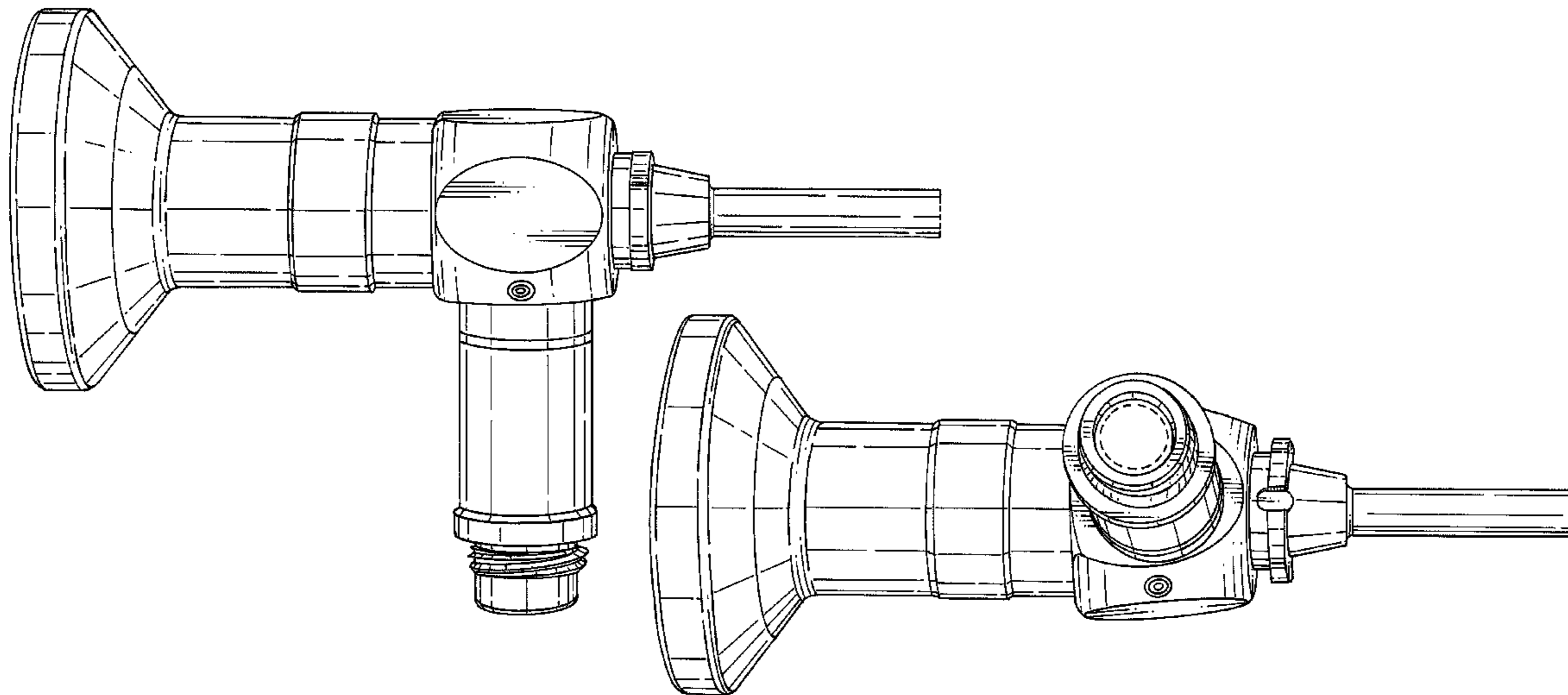
The ornamental design for an eyepiece cup, as shown and described.

DESCRIPTION

FIG. 1 is a left side isometric view of an eyepiece cup in accordance with the new design;
FIG. 2 is a left side elevation view thereof;
FIG. 3 is a right side elevation view thereof;
FIG. 4 is a top isometric view thereof;
FIG. 5 is a bottom isometric view thereof;
FIG. 6 is a front isometric view thereof; and,
FIG. 7 is a rear isometric view thereof.

The broken lines shown in FIGS. 1-7 represent the bounds of the claimed design and form no part of the claimed design.

1 Claim, 7 Drawing Sheets



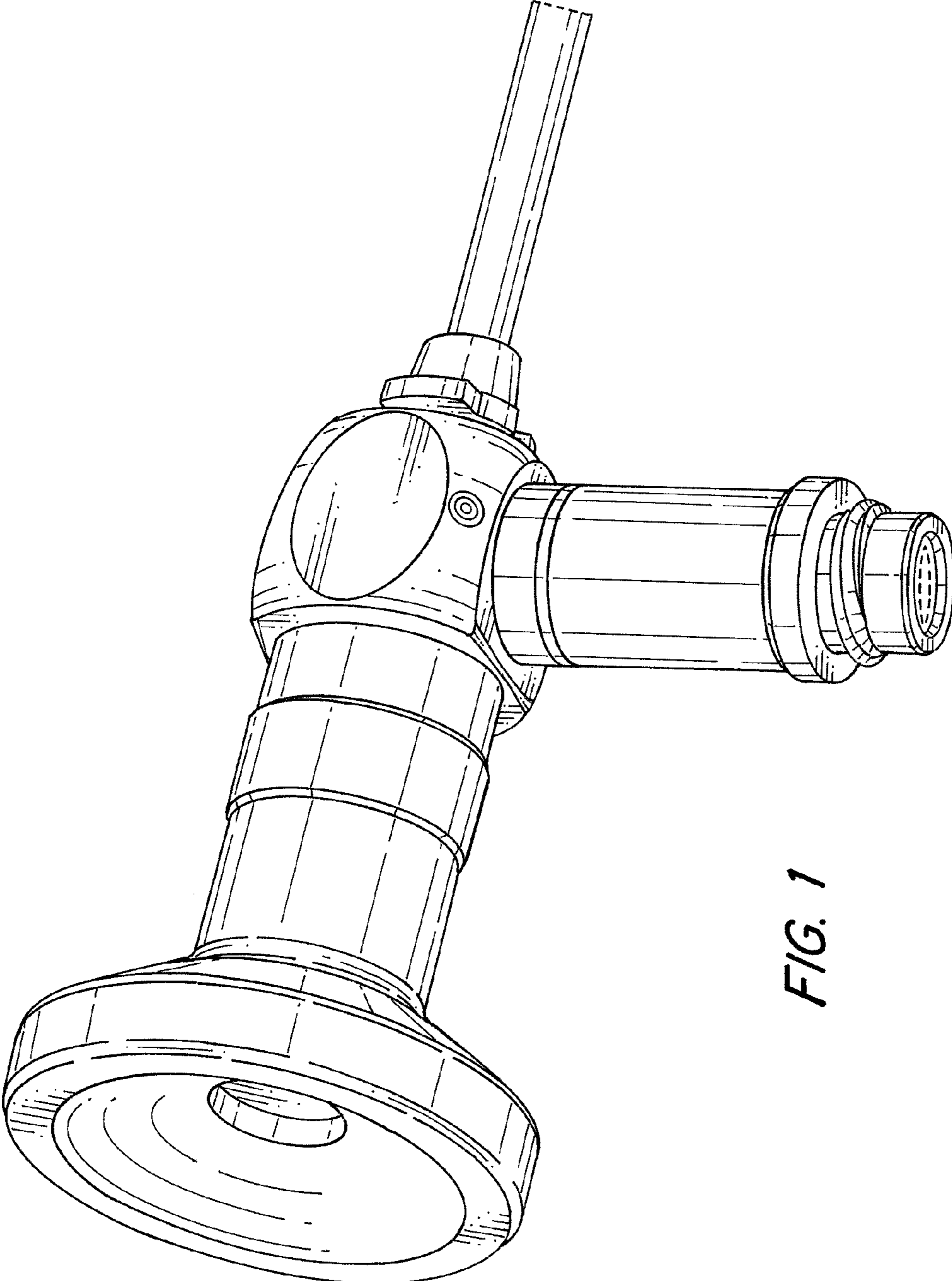


FIG. 1

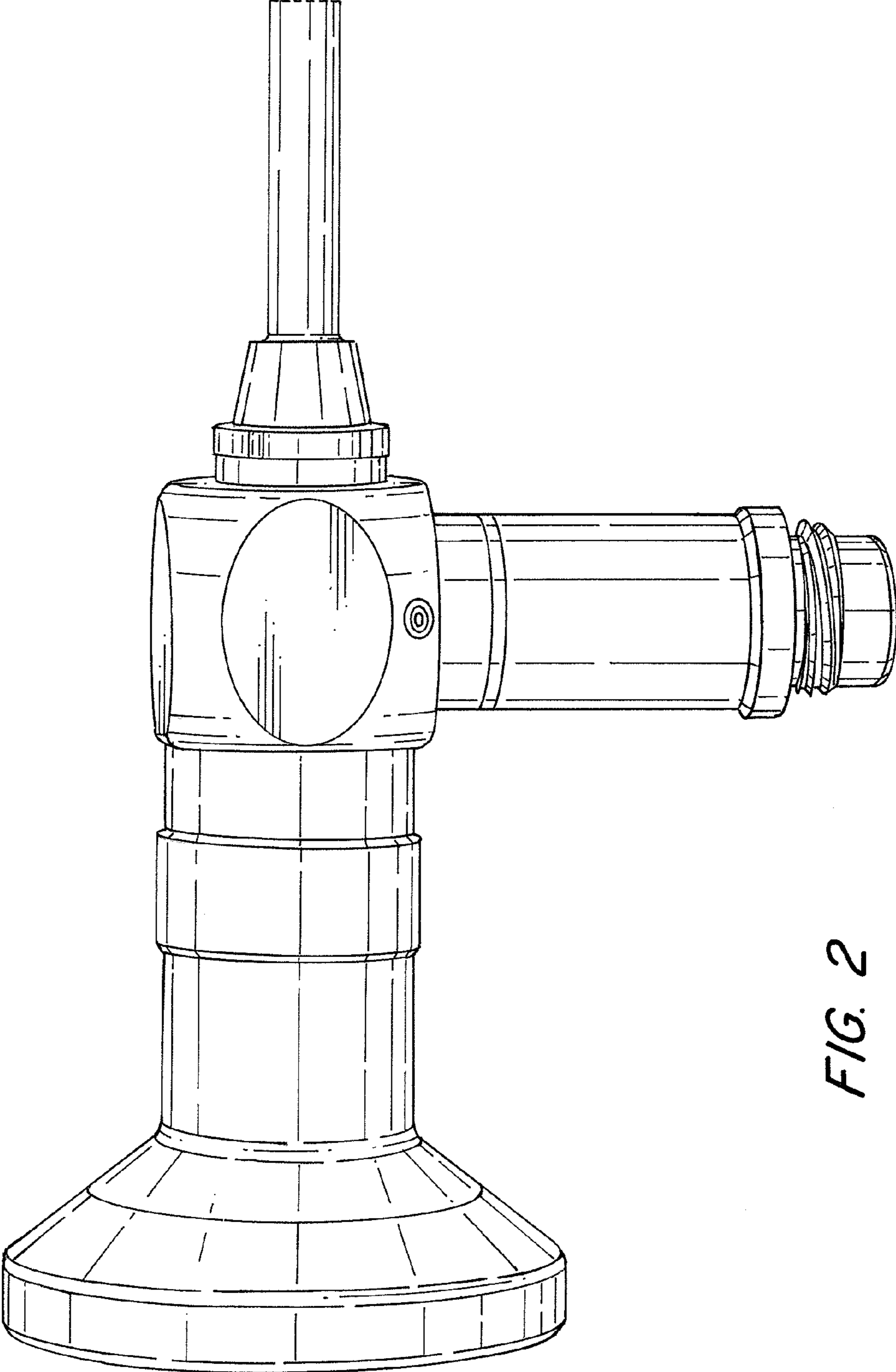


FIG. 2

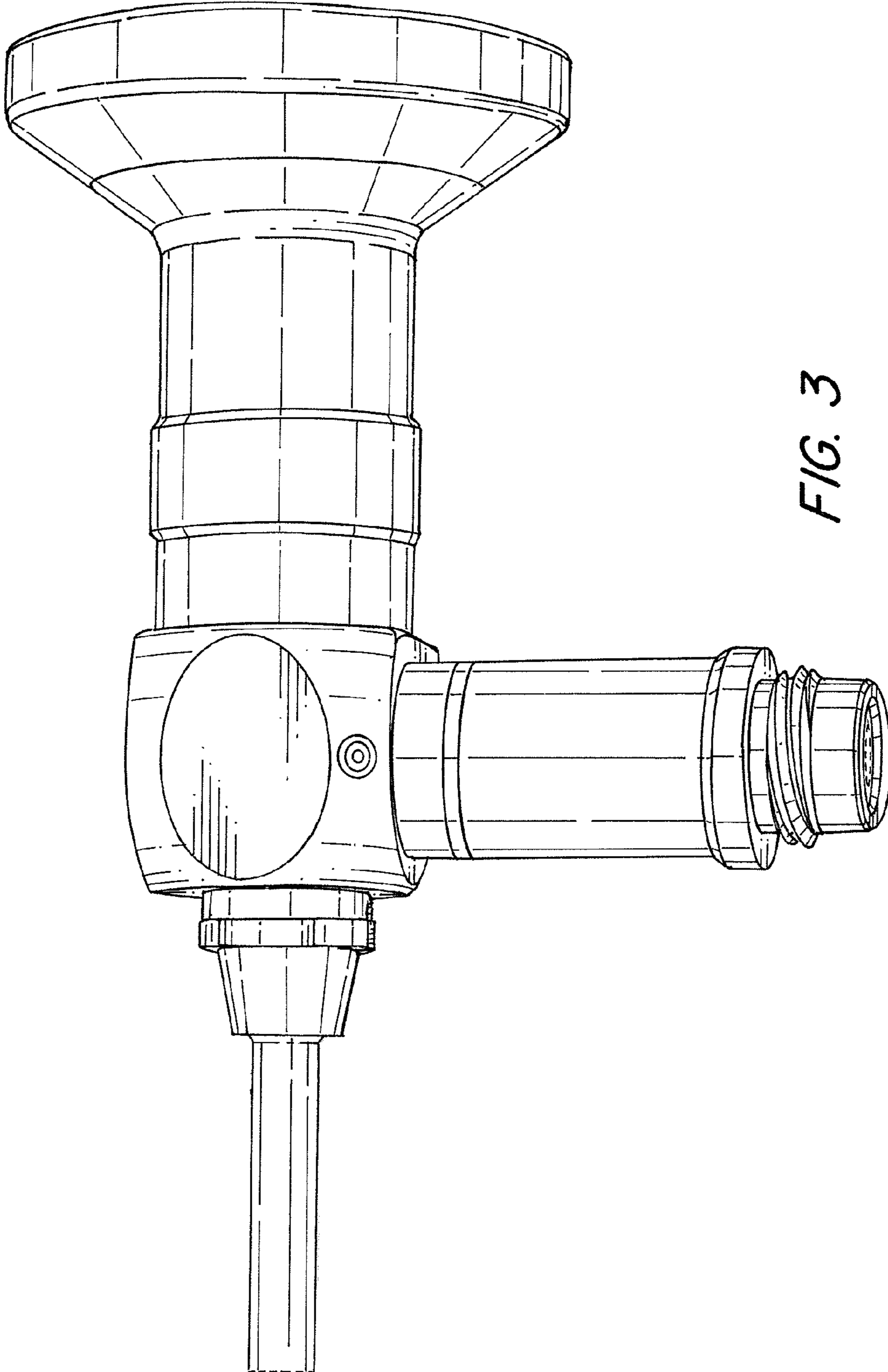


FIG. 3

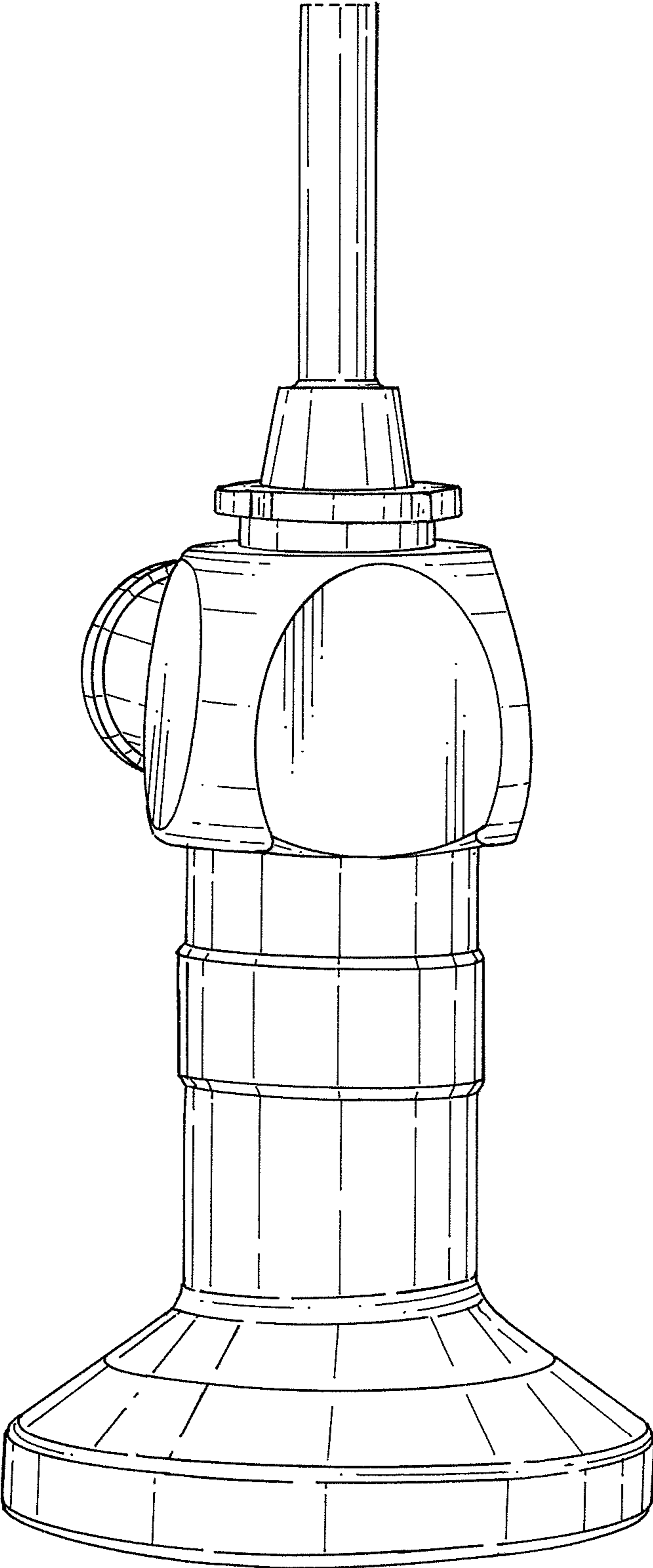


FIG. 4

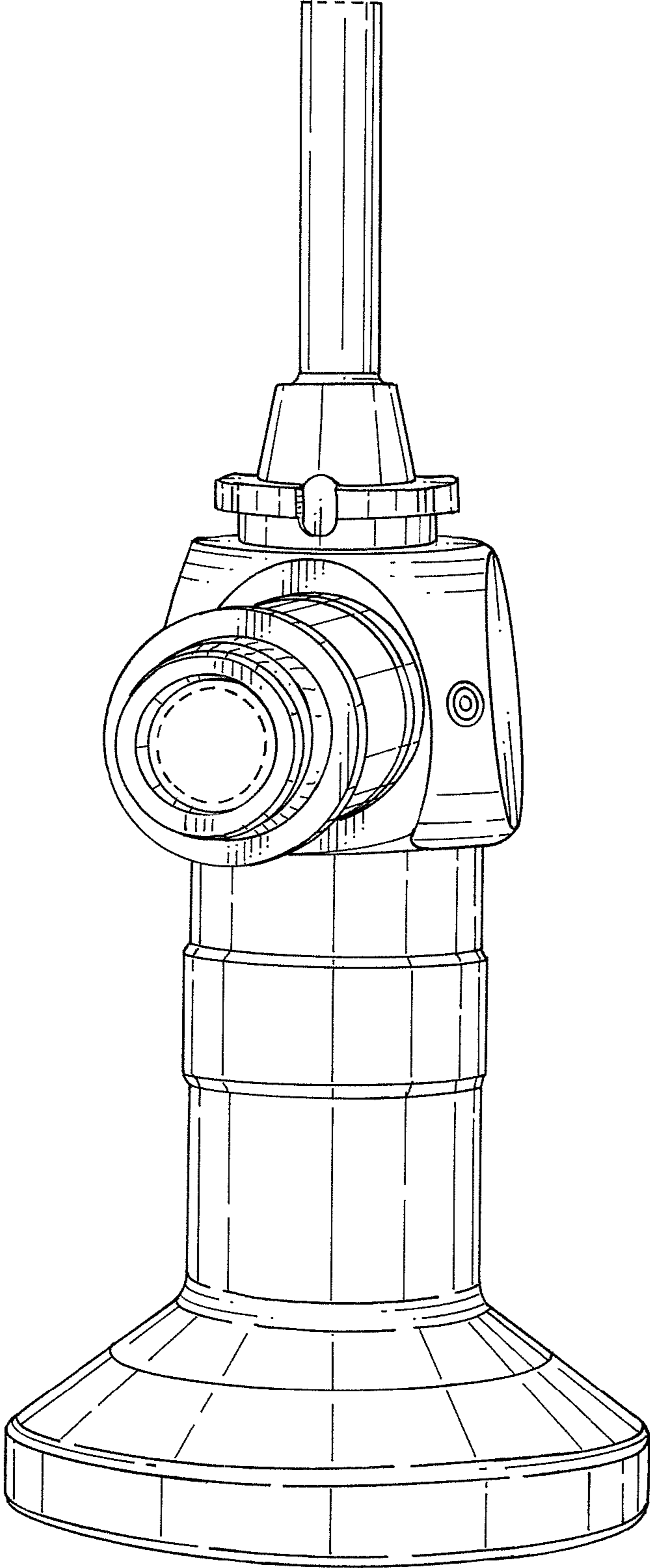


FIG. 5

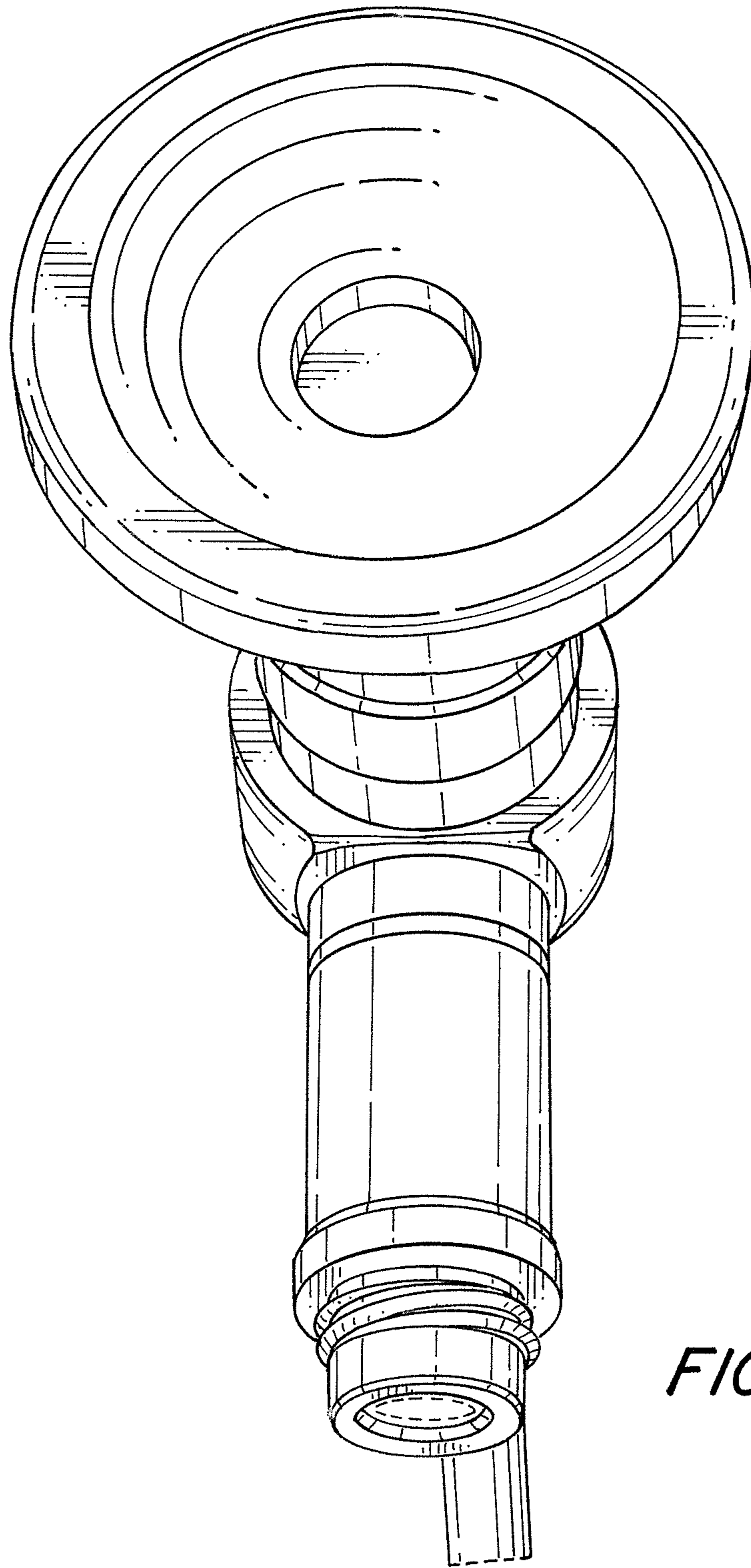


FIG. 6

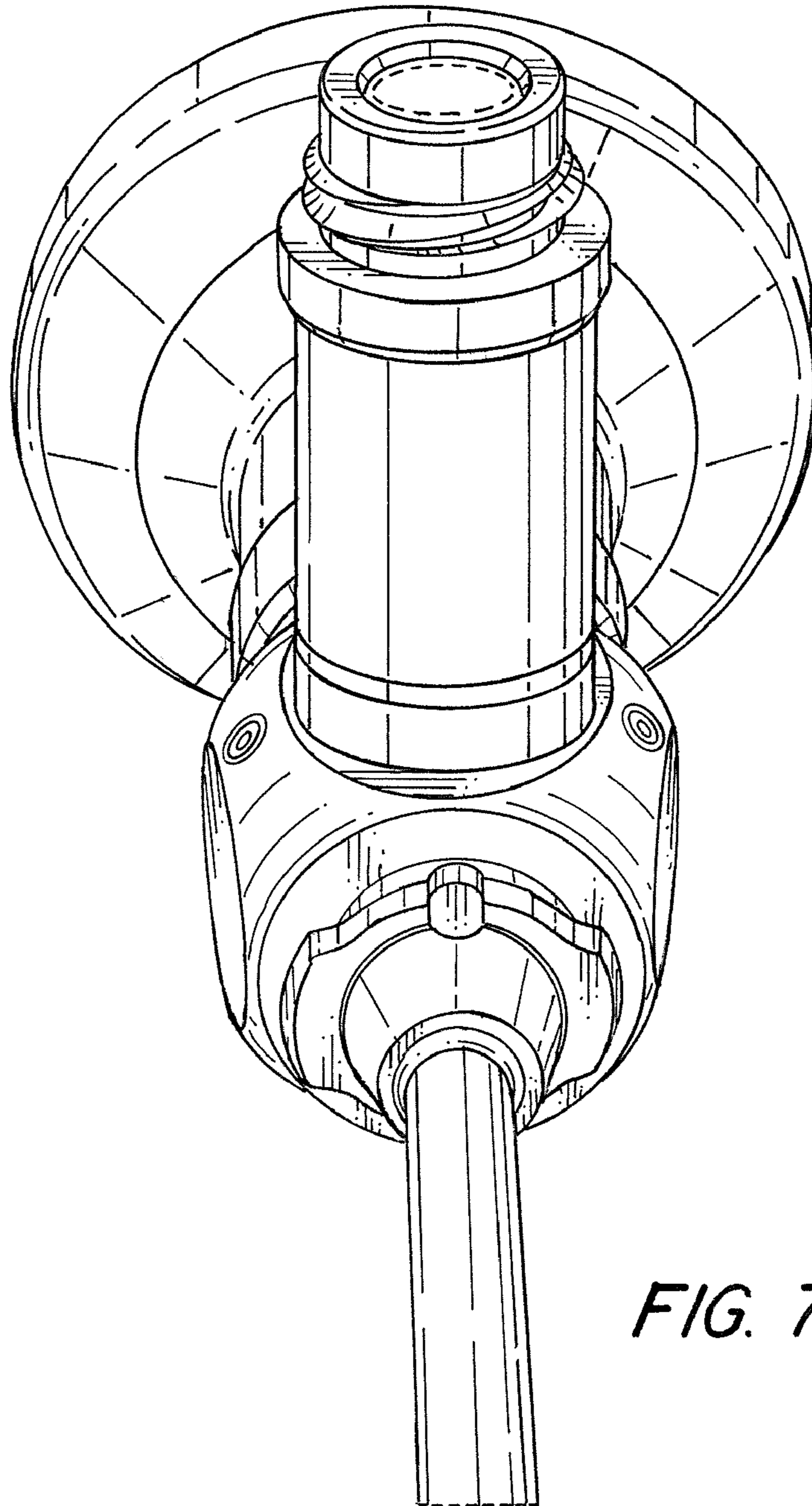


FIG. 7