



US00D670378S

(12) **United States Design Patent**
Connell et al.

(10) **Patent No.:** **US D670,378 S**

(45) **Date of Patent:** **** Nov. 6, 2012**

(54) **SURGICAL DEVICE THUMB BOW**

(75) Inventors: **Edward C. Connell**, Baldwinsville, NY (US); **Petr A. Sapalev**, New Hartford, NY (US); **Adrian F. D’Lima**, Deansboro, NY (US); **Timothy A. Donaldson**, New Hartford, NY (US)

(73) Assignee: **ConMed Corporation**, Utica, NY (US)

(**) Term: **14 Years**

(21) Appl. No.: **29/387,931**

(22) Filed: **Mar. 21, 2011**

(51) **LOC (9) Cl.** **24-02**

(52) **U.S. Cl.** **D24/133**

(58) **Field of Classification Search** D24/133, D24/137, 138, 143, 144, 145, 146, 147, 148, D24/149; D8/51, 57, 107; 606/1, 130, 139, 606/148, 174, 175, 205; 600/104
See application file for complete search history.

(56) **References Cited**

U.S. PATENT DOCUMENTS

253,359	A *	2/1882	Ewing	606/174
D280,019	S *	8/1985	Meyer et al.	D24/133
D541,416	S *	4/2007	Baehr et al.	D24/133
D621,040	S *	8/2010	Held	D24/133
D624,646	S *	9/2010	Peschke et al.	D24/133
D631,961	S *	2/2011	Held	D24/133

2002/0072766	A1 *	6/2002	Hunt et al.	606/205
2006/0161190	A1 *	7/2006	Gadberry et al.	606/174
2007/0287993	A1 *	12/2007	Hinman et al.	606/1
2007/0299469	A1 *	12/2007	Carpenter et al.	606/205
2010/0030018	A1 *	2/2010	Fortier et al.	600/104
2011/0087236	A1 *	4/2011	Stokes et al.	606/130
2011/0276083	A1 *	11/2011	Shelton et al.	606/205

FOREIGN PATENT DOCUMENTS

CN	301286100	*	7/2010
CN	301575569	*	6/2011

* cited by examiner

Primary Examiner — Bridget L Eland

(57) **CLAIM**

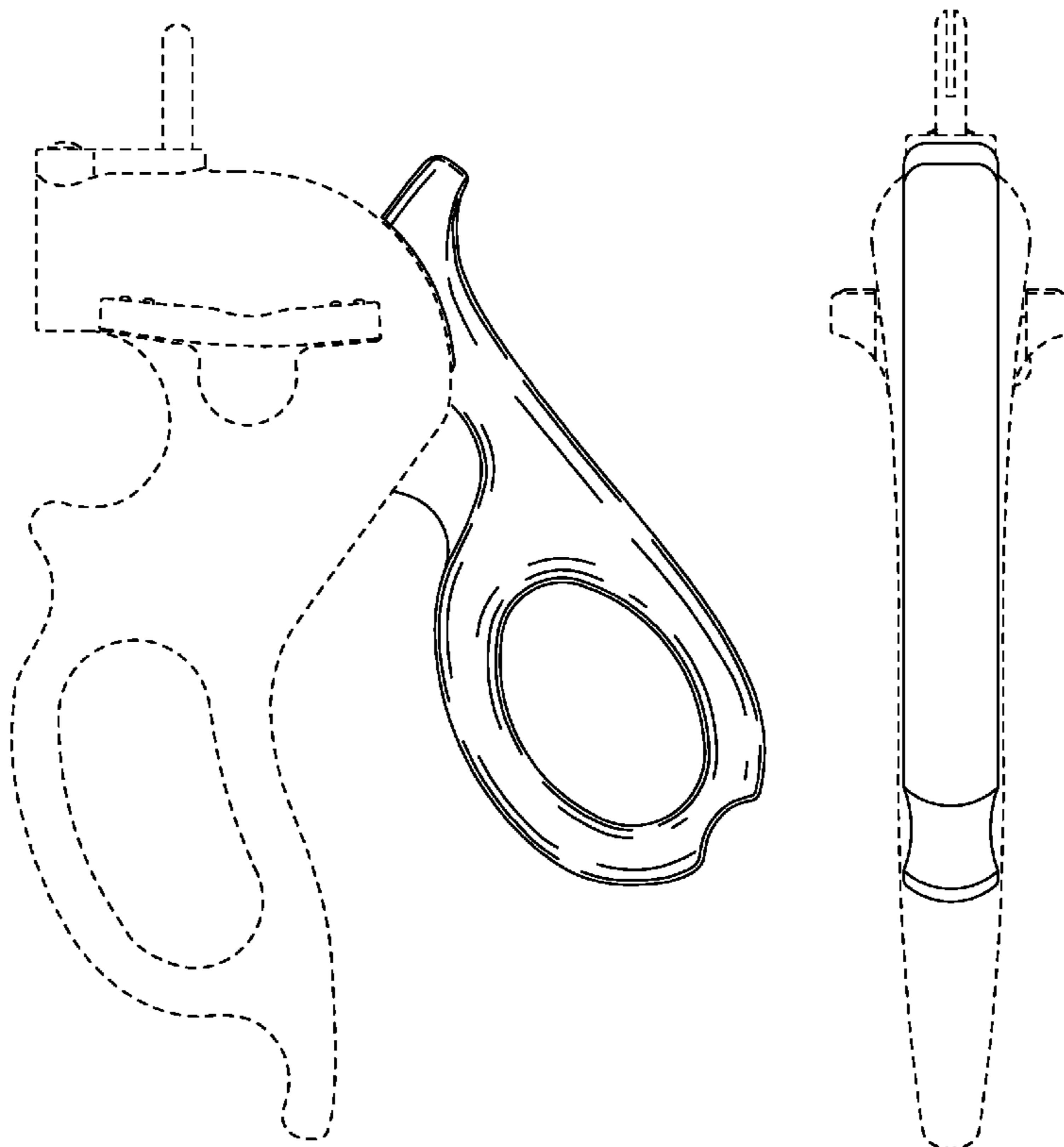
The ornamental design for a surgical device thumb bow, as shown and described.

DESCRIPTION

FIG. 1 is a top front perspective view of a surgical device thumb bow;
FIG. 2 is a left side elevation view thereof;
FIG. 3 is a right side elevation view thereof;
FIG. 4 is a top plan view thereof;
FIG. 5 is a bottom plan view thereof;
FIG. 6 is a front elevation view thereof; and,
FIG. 7 is a rear elevation view thereof.

The broken lines in each of FIGS. 1-7 are directed to environment and are for illustrative purposes only; the broken lines form no part of the claimed design.

1 Claim, 3 Drawing Sheets



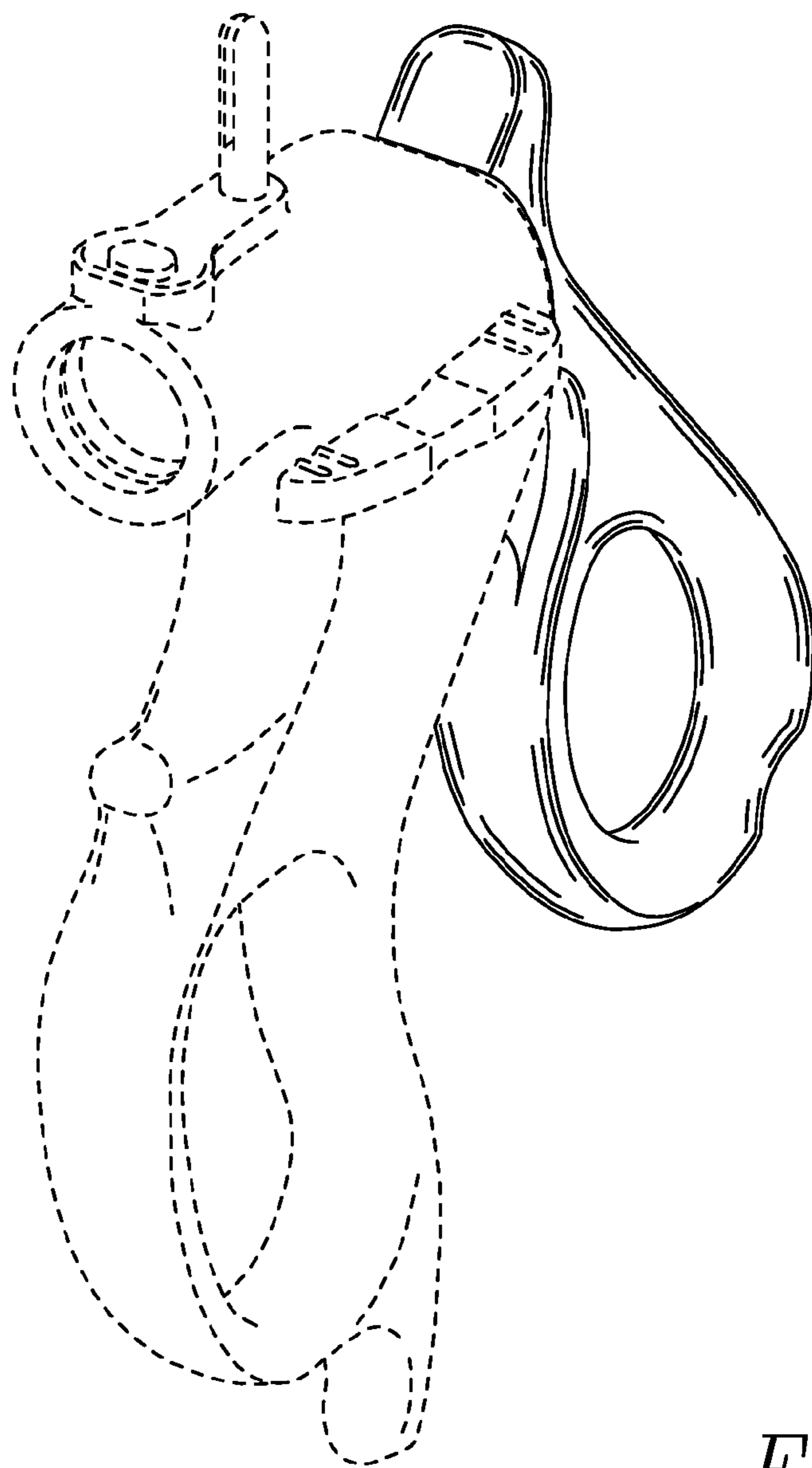


Fig. 1

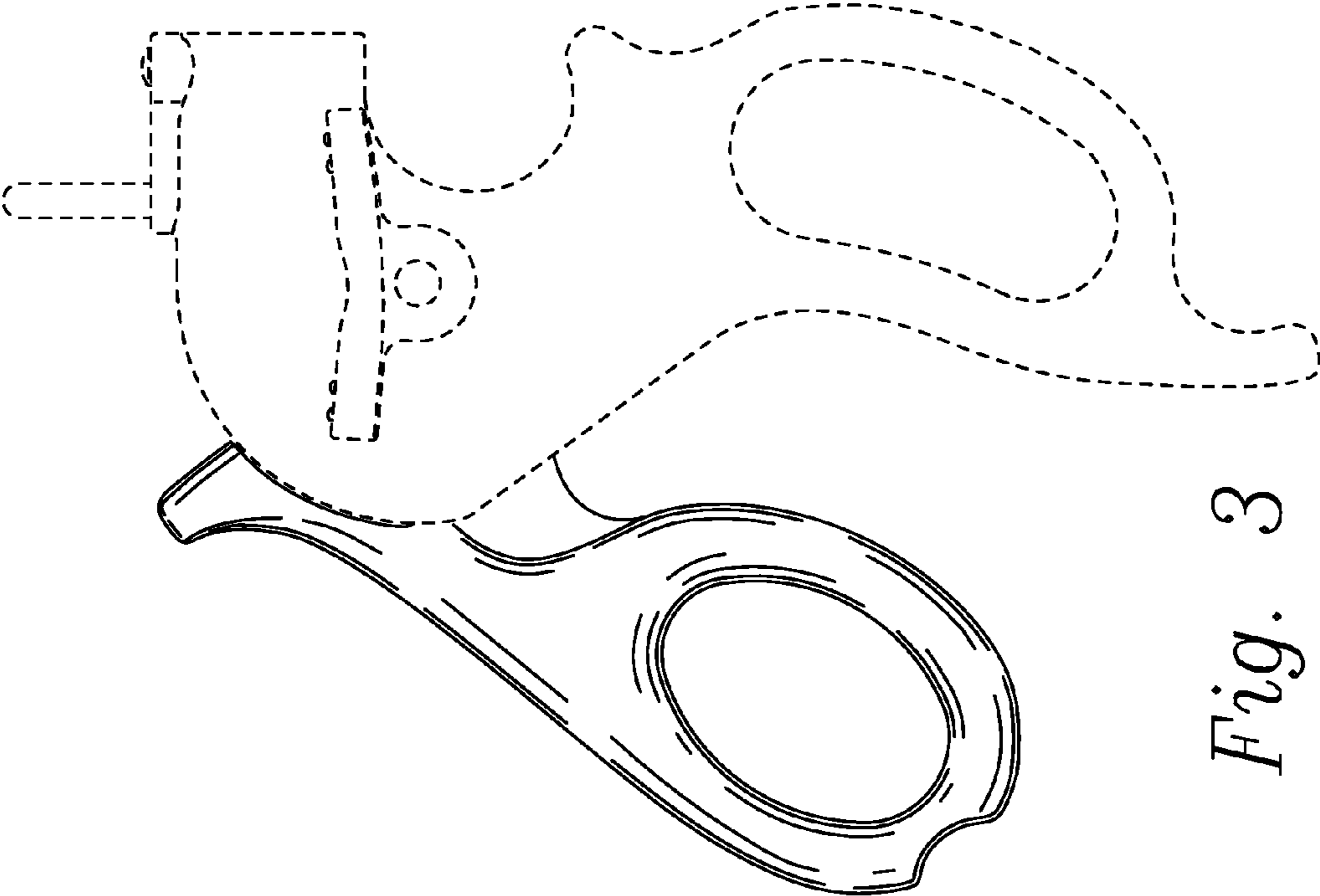


Fig. 3

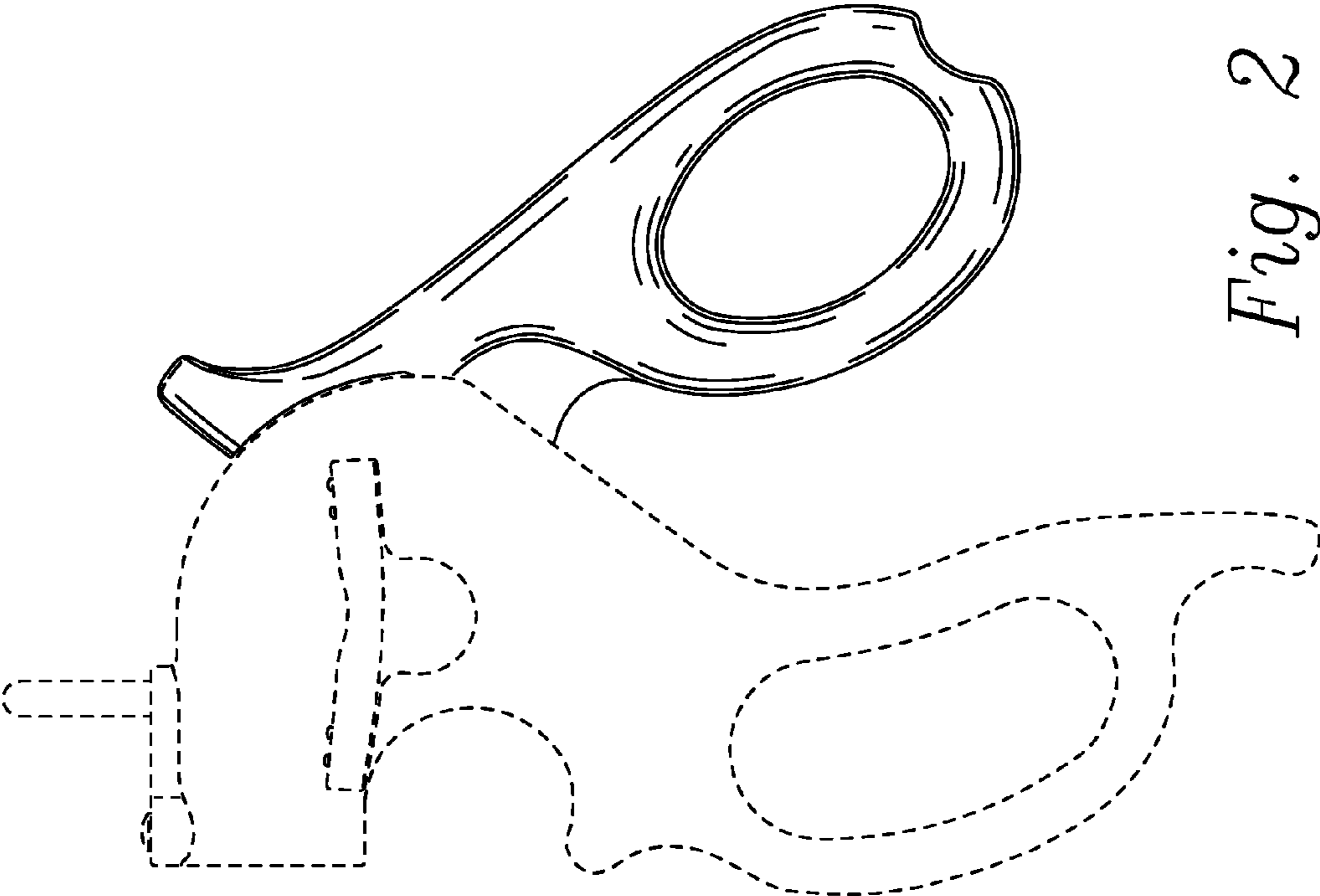


Fig. 2

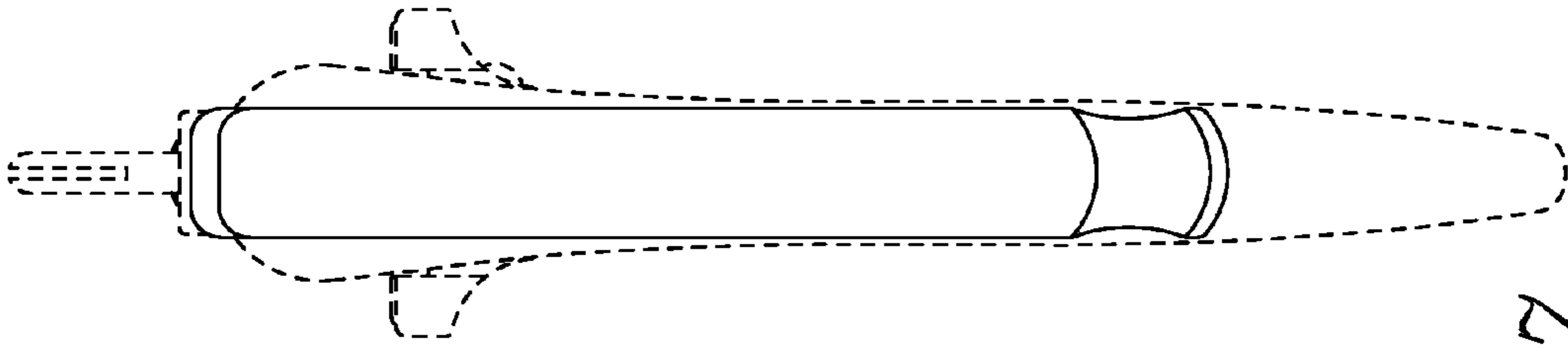


Fig. 7

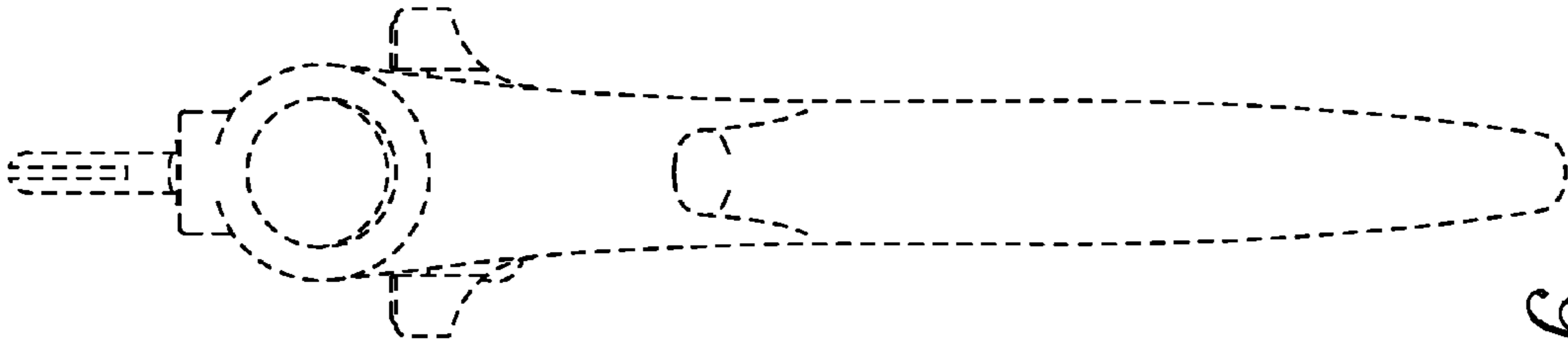


Fig. 6

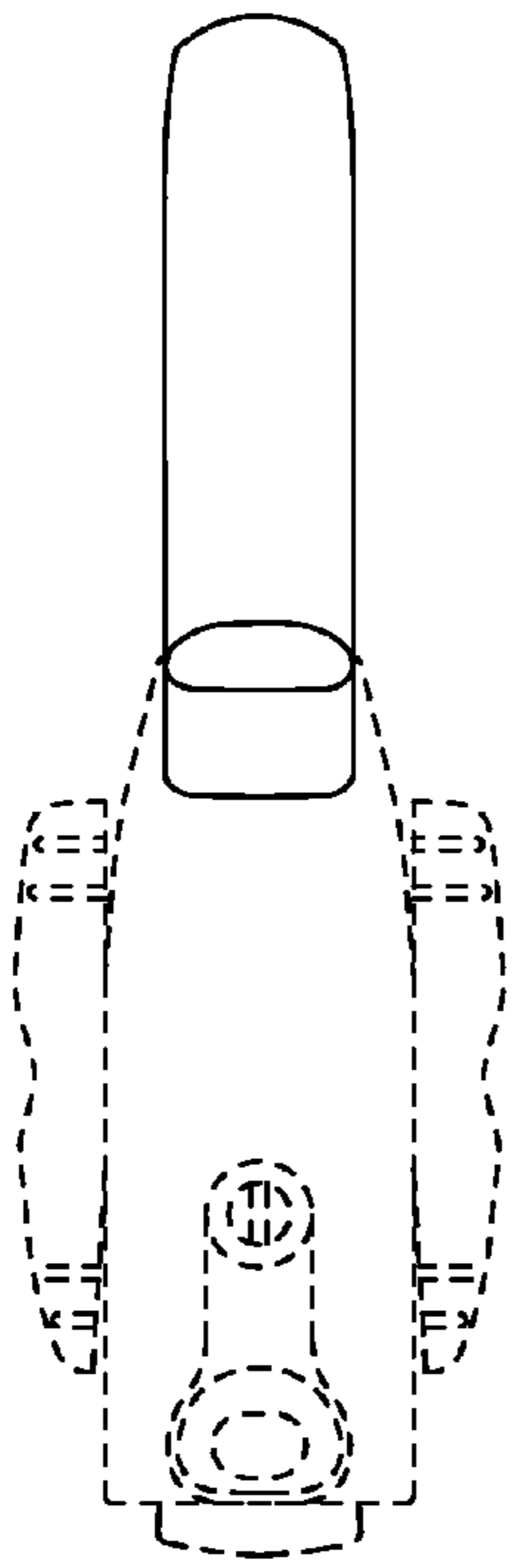


Fig. 4

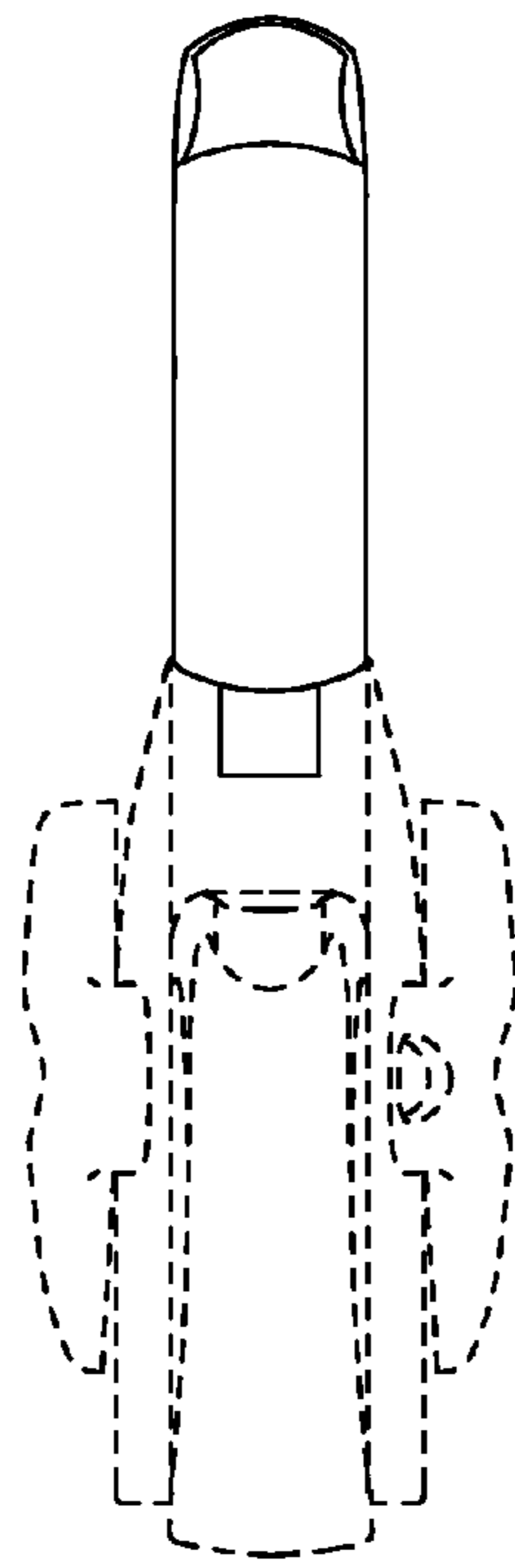


Fig. 5