



US00D670377S

(12) **United States Design Patent**
Adams

(10) **Patent No.:** **US D670,377 S**
(45) **Date of Patent:** **** Nov. 6, 2012**

(54) **STACKABLE COMMODORE**
(75) Inventor: **Chuck Adams**, Naperville, IL (US)
(73) Assignee: **Medical Action Industries, Inc.**,
Brentwood, NY (US)

D571,460 S *	6/2008	Korjack	D24/123
D597,203 S *	7/2009	Tauer	D24/121
D605,754 S *	12/2009	Nelson et al.	D24/121
D607,557 S *	1/2010	Wiggins	D24/108
D615,193 S *	5/2010	Utz	D24/123
D627,062 S *	11/2010	Tanguay	D24/123

(**) Term: **14 Years**
(21) Appl. No.: **29/358,258**
(22) Filed: **Mar. 24, 2010**

OTHER PUBLICATIONS

Medegen Medical Products Catalog, 2003, p. 11.

* cited by examiner

Primary Examiner — David Muller

(74) *Attorney, Agent, or Firm* — Vinson & Elkins L.L.P.

(51) **LOC (9) Cl.** **24-04**
(52) **U.S. Cl.** **D24/123**
(58) **Field of Classification Search** D24/121–123,
D24/117, 224, 108; D23/276, 274, 295,
D23/302, 309, 200; 4/450–460, 144.1–144.4,
4/DIG. 5; 600/573, 574; 604/329, 317–325,
604/334; D27/125

See application file for complete search history.

(57) **CLAIM**

The ornamental design for a stackable commode, as shown and described.

DESCRIPTION

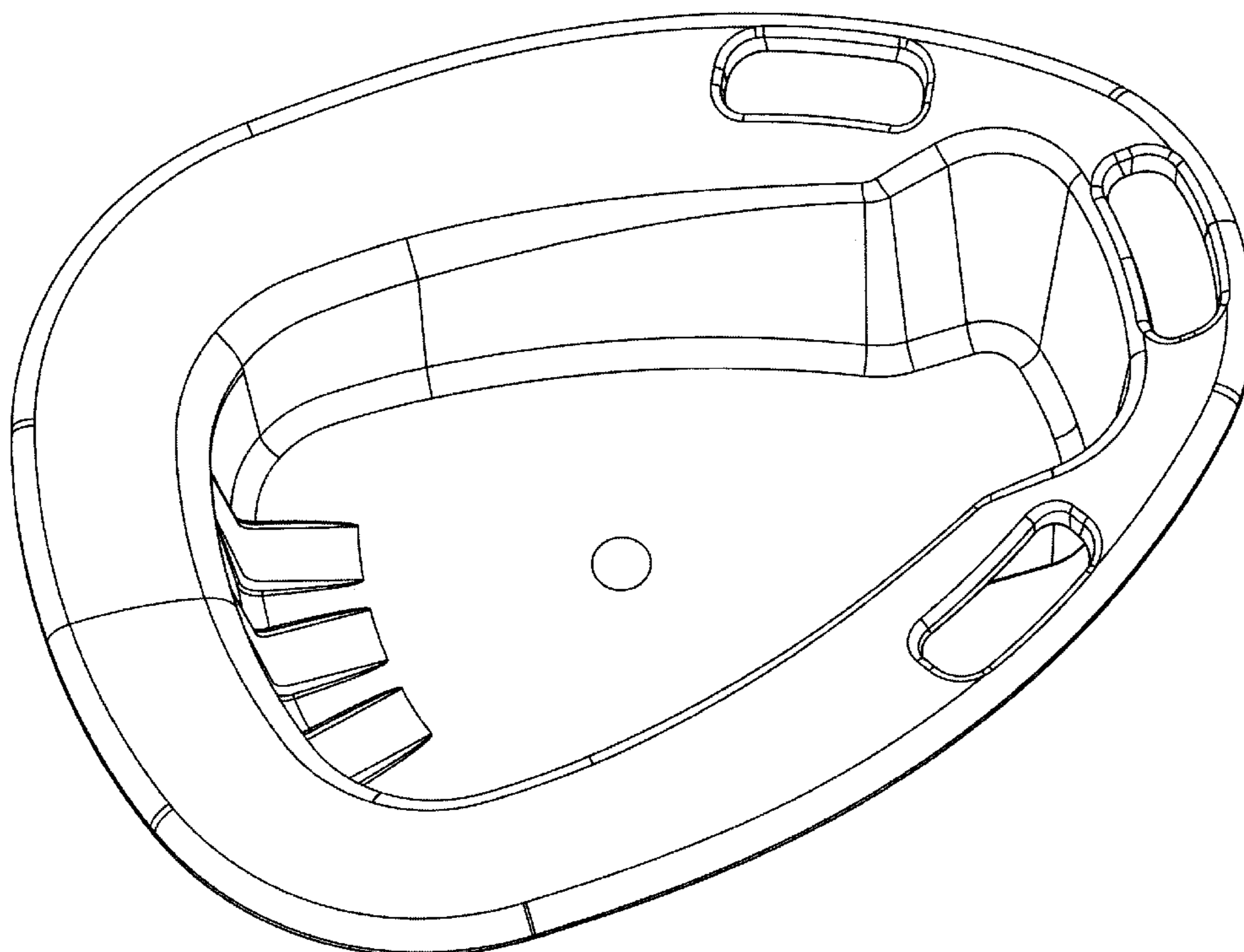
FIG. 1 is a right front perspective view of a stackable commode of the inventive design having three handles; FIG. 2 is an enlarged view thereof of detail “2” in FIG. 1; FIG. 3 is a front elevational view thereof; FIG. 4 is a rear elevational view thereof; FIG. 5 is a right side elevational view thereof, which is a mirror image of the left side elevational view thereof; FIG. 6 is a top plan view thereof; FIG. 7 is a bottom plan view thereof; FIG. 8 is a left rear perspective view thereof; and, FIG. 9 is a right front underside perspective view thereof.

(56) **References Cited**

U.S. PATENT DOCUMENTS

D216,058 S *	11/1969	Painter et al.	D24/123
D248,408 S *	7/1978	Mills	D24/123
D249,162 S *	8/1978	Mills	D24/123
D253,304 S *	10/1979	Nakao et al.	D24/123
D441,075 S *	4/2001	Nara	D24/122
D546,943 S *	7/2007	Kammer et al.	D24/123
D557,413 S *	12/2007	Buermann	D24/123

1 Claim, 9 Drawing Sheets



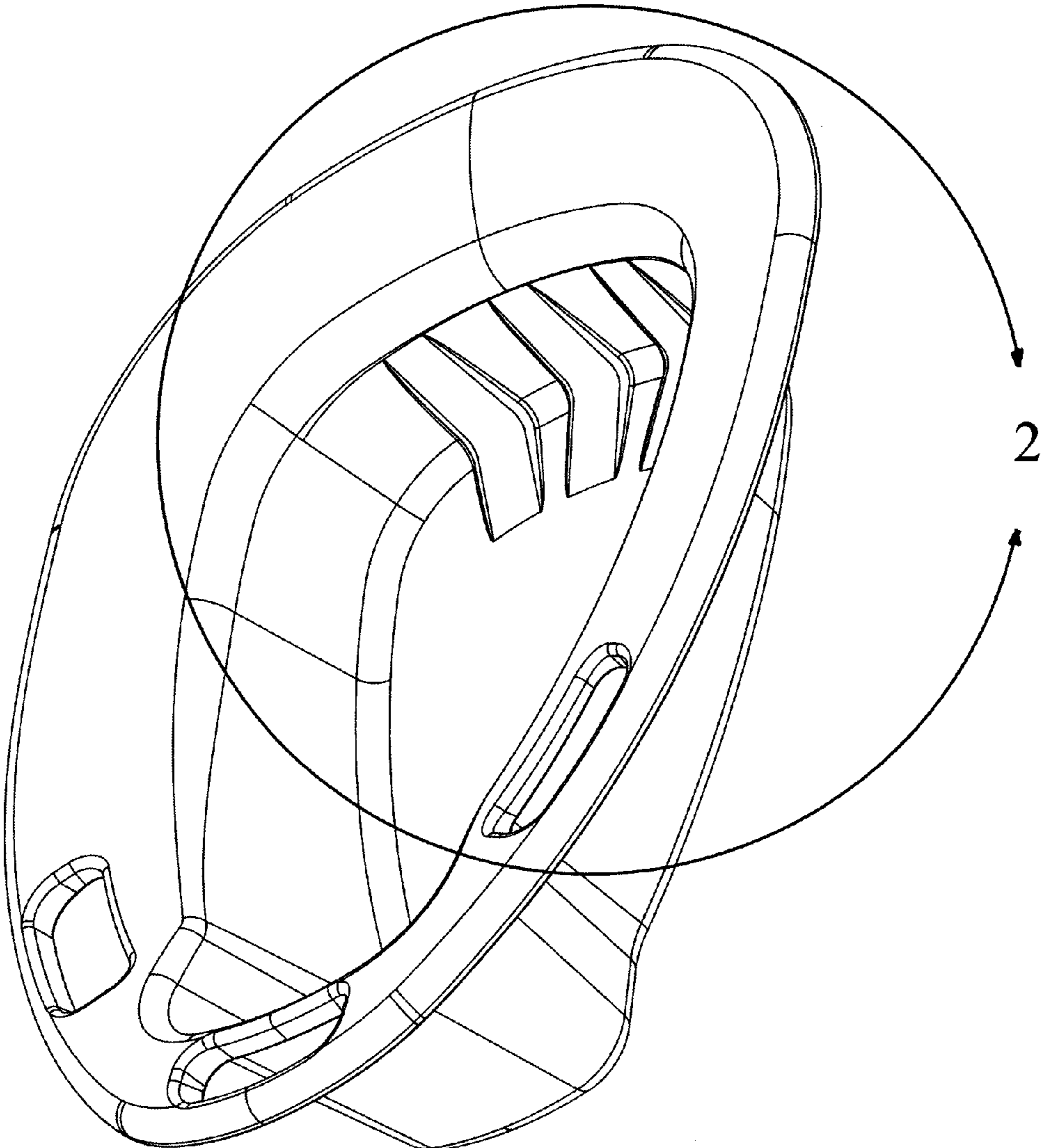


FIG. 1

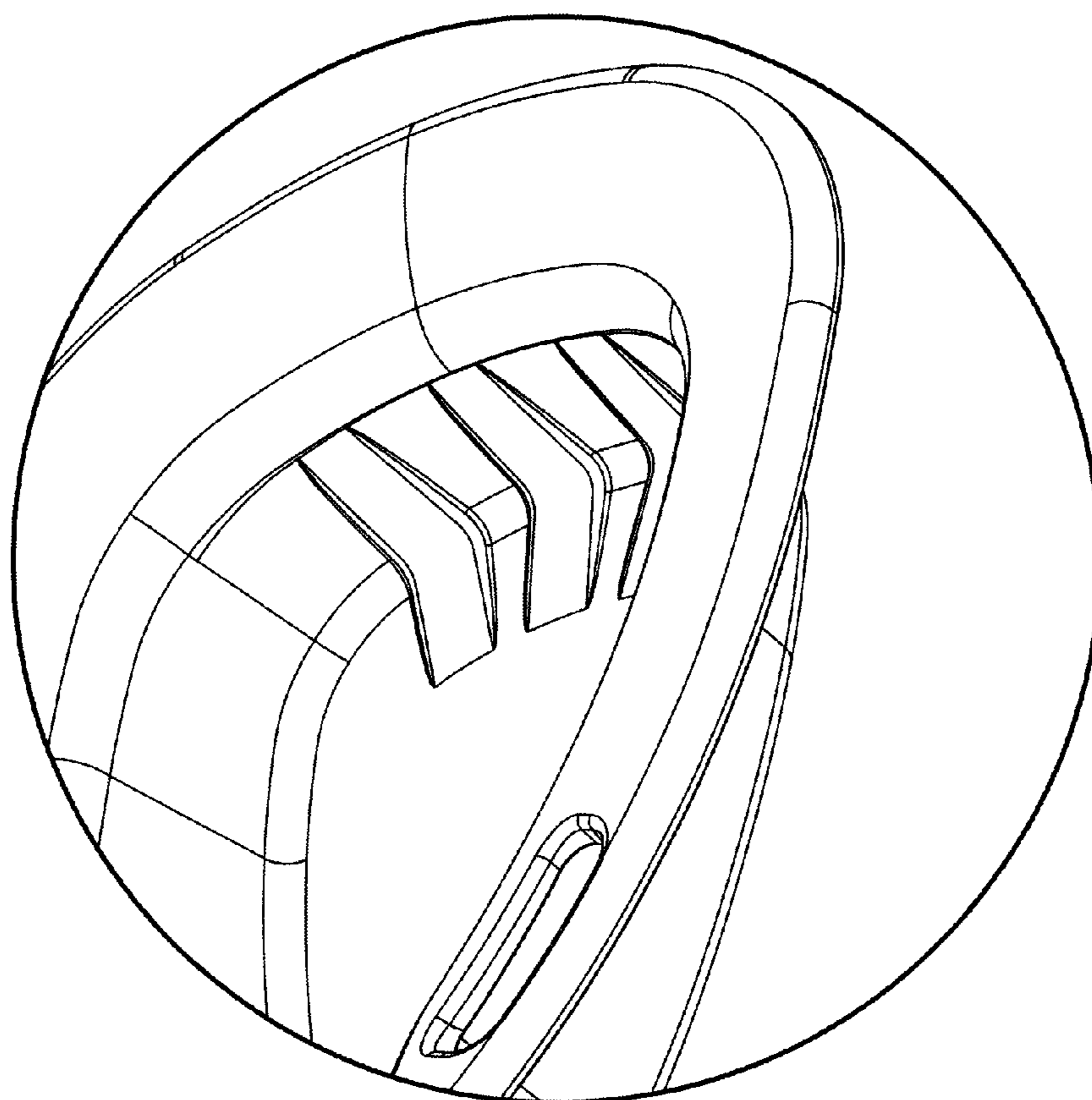


FIG. 2

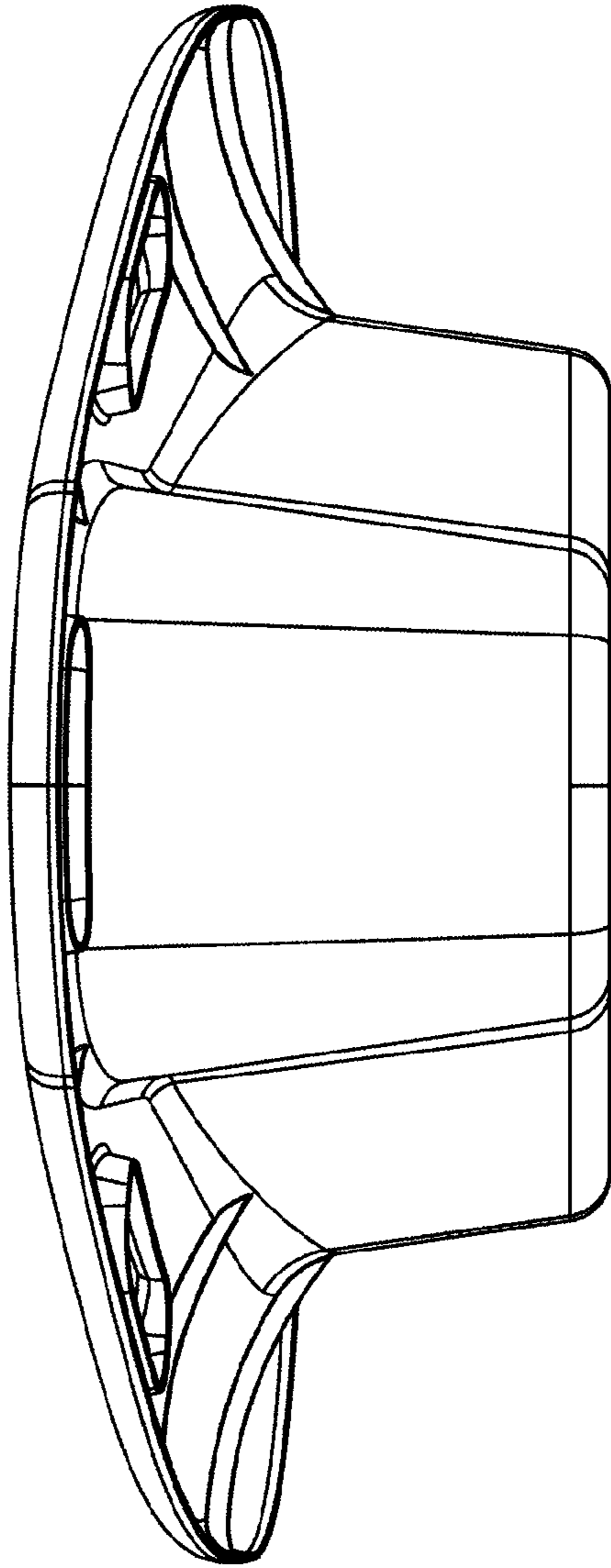


FIG. 3

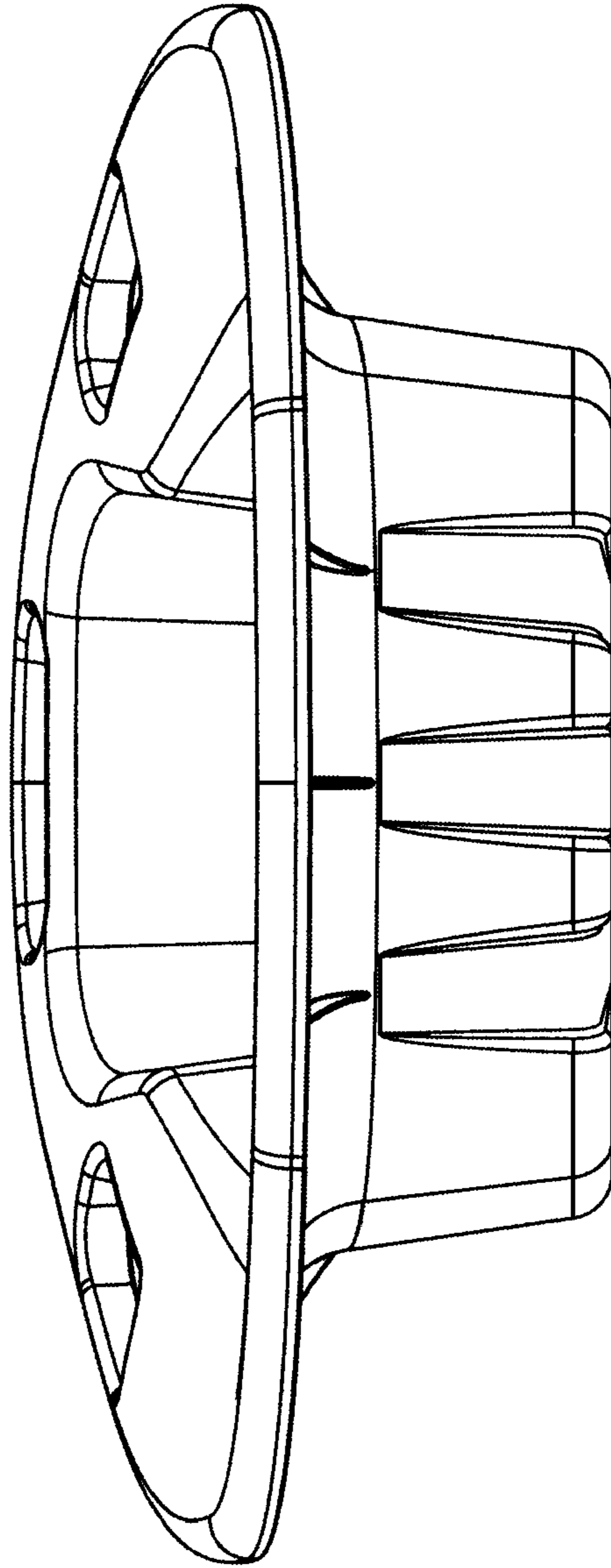


FIG. 4

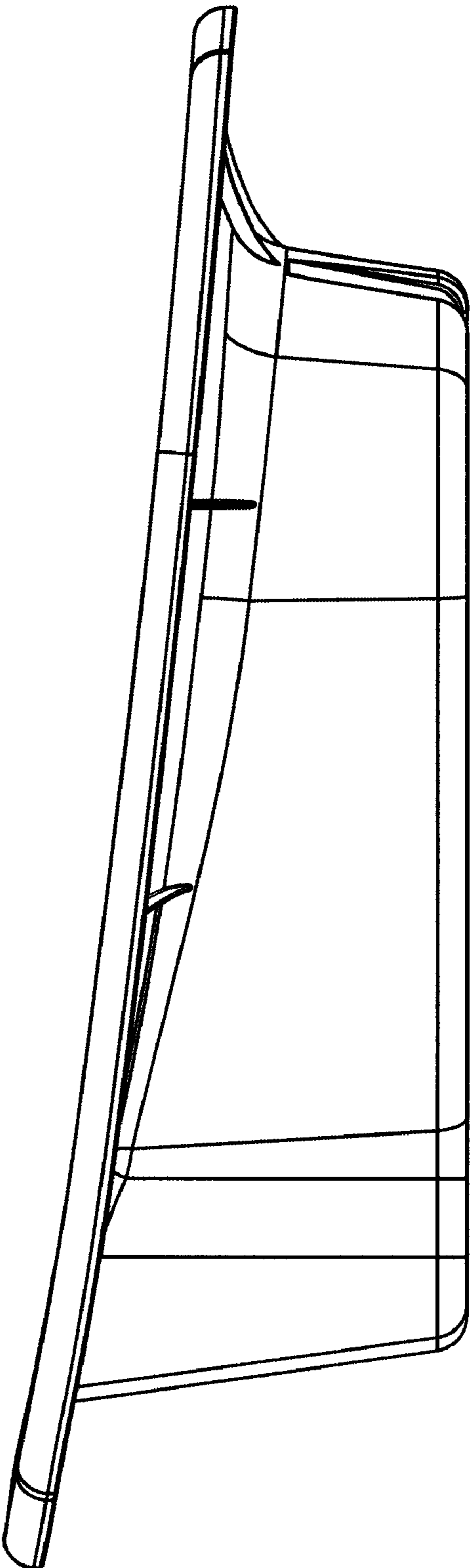


FIG. 5

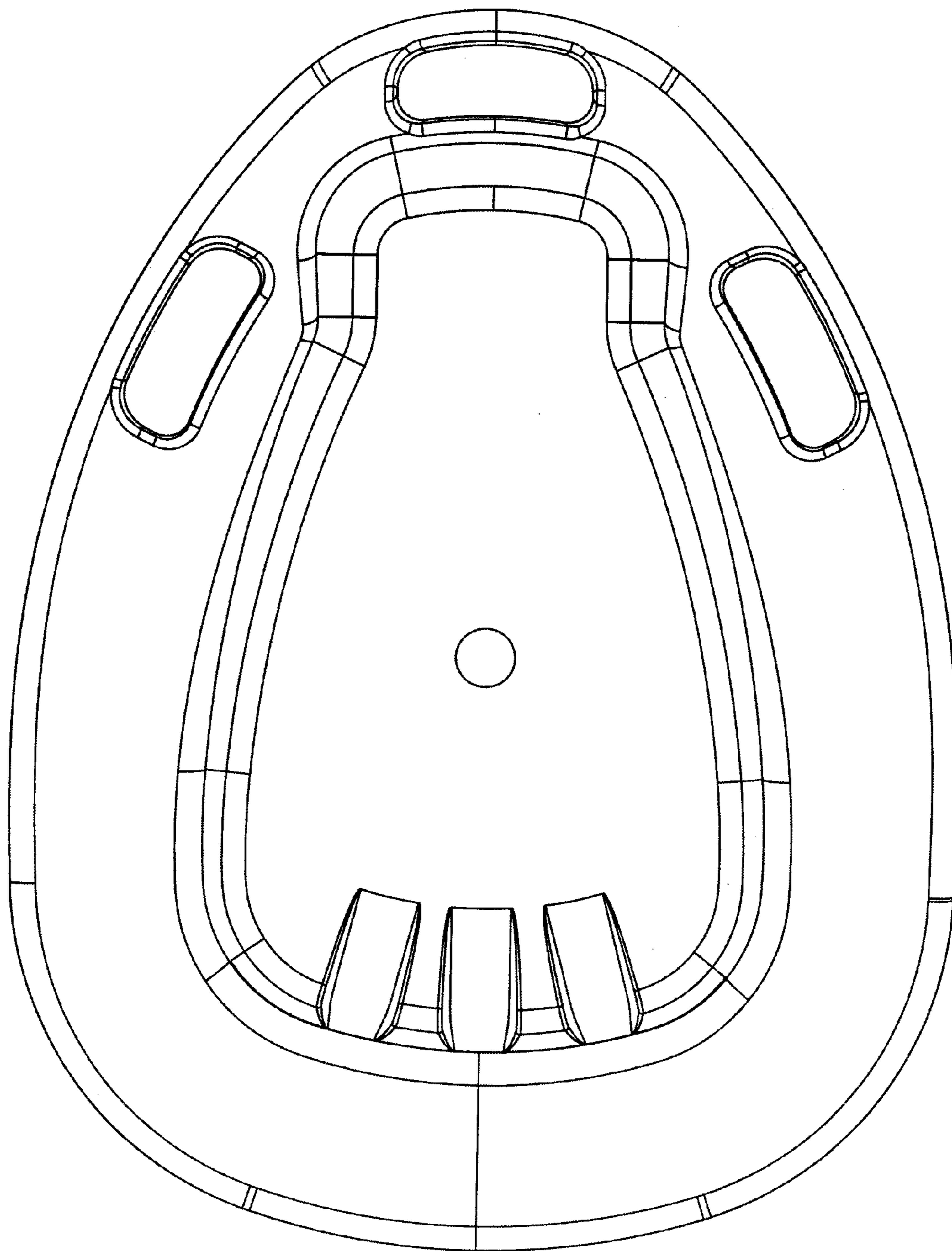


FIG. 6

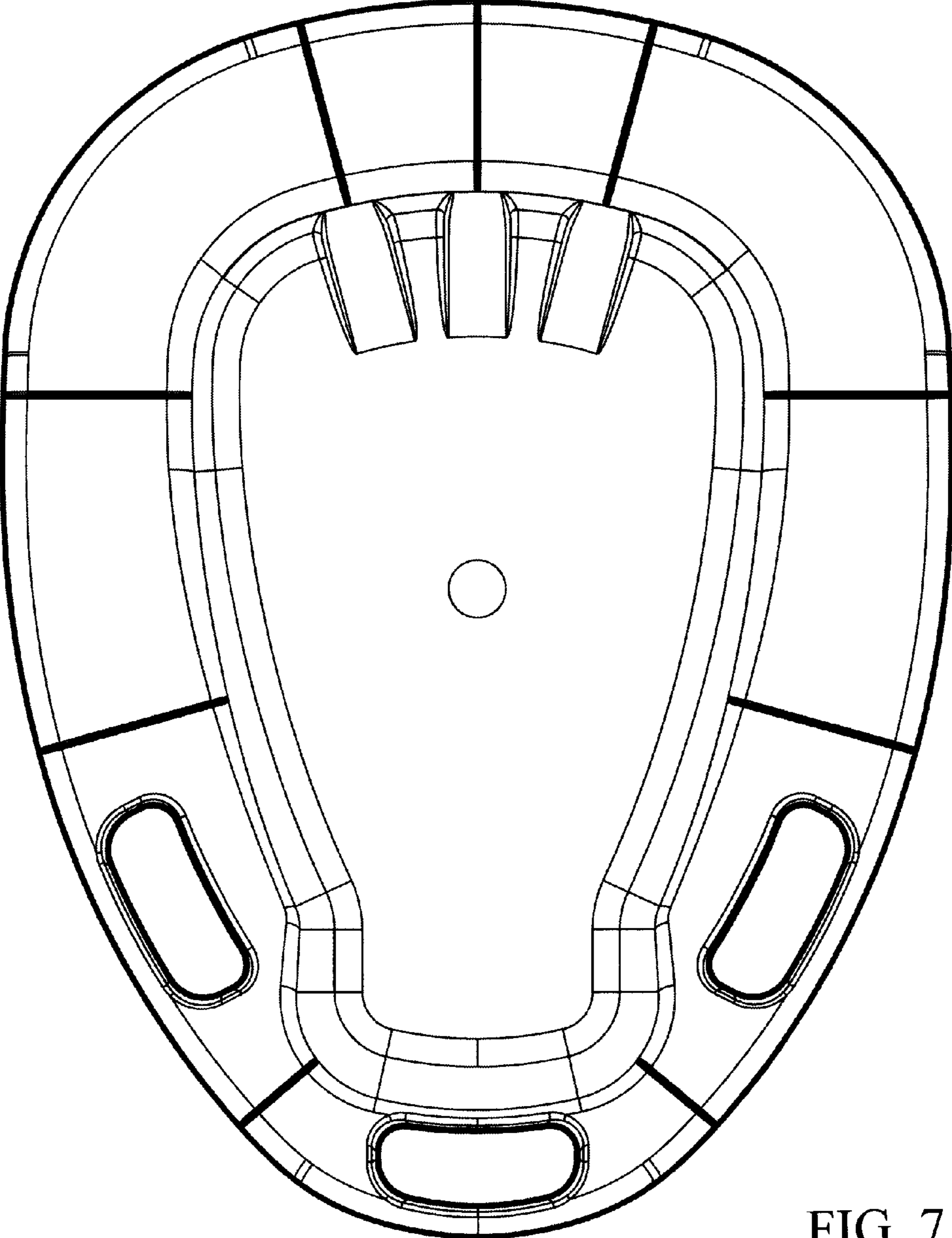


FIG. 7

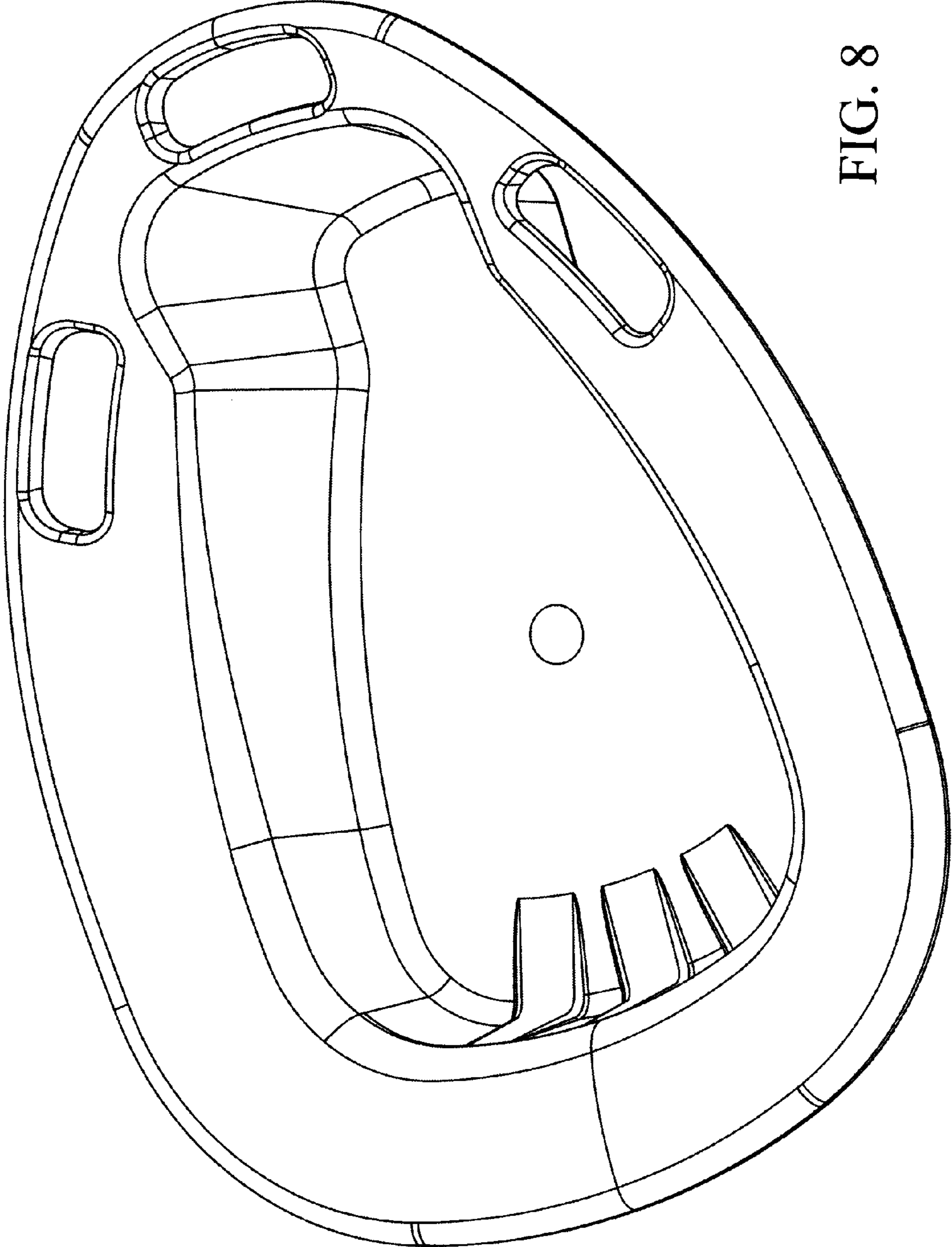


FIG. 8

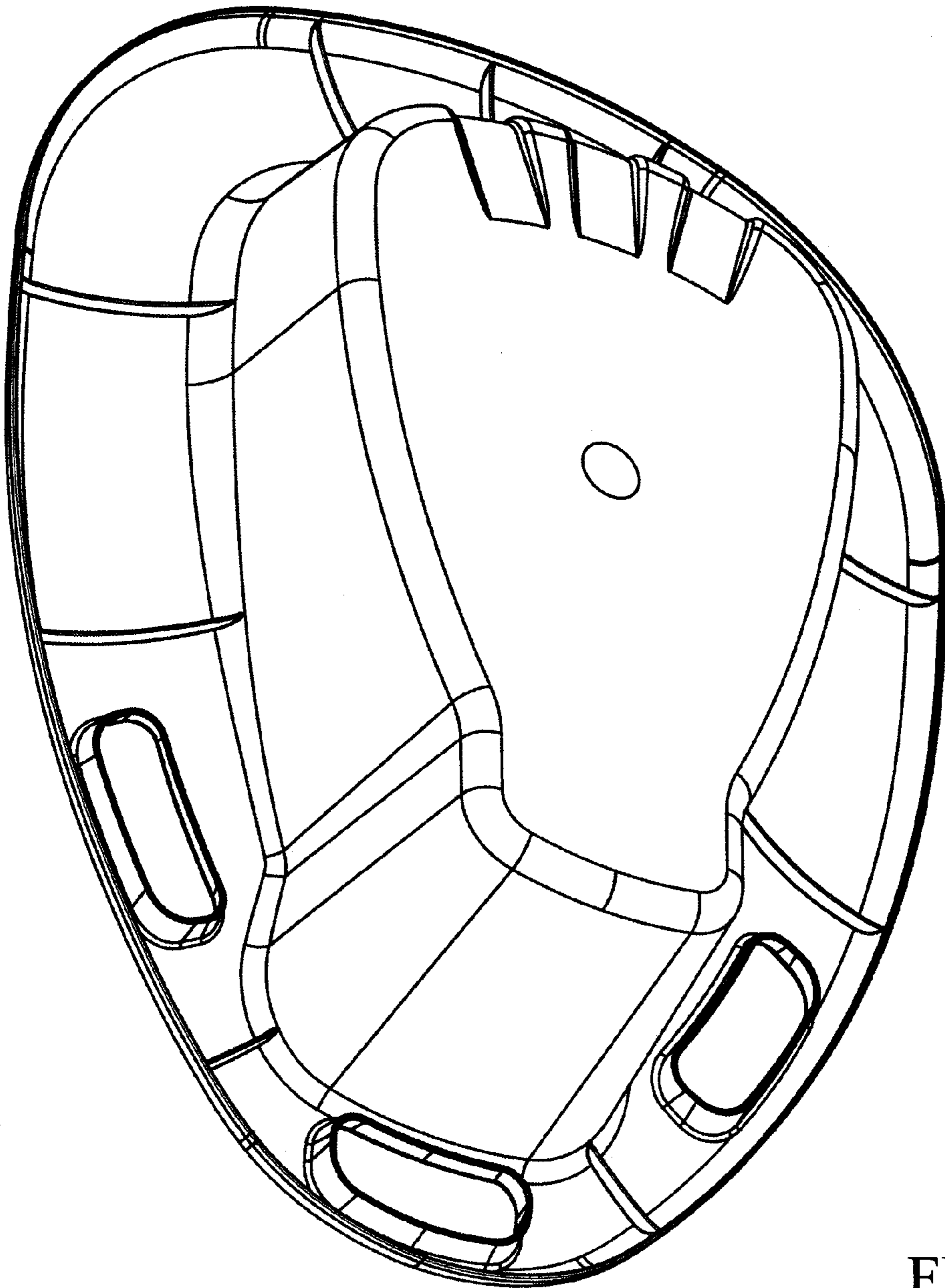


FIG. 9