

US00D670375S

(12) **United States Design Patent**
Corbin

(10) **Patent No.:** **US D670,375 S**

(45) **Date of Patent:** **** Nov. 6, 2012**

(54) **MEDICAL INJECTOR**

(75) Inventor: **Jean-Yves Corbin**, Le Fresne Camilly
(FR)

(73) Assignee: **Becton Dickinson France**, Le
Pont-de-Claix (FR)

(**) Term: **14 Years**

(21) Appl. No.: **29/408,769**

(22) Filed: **Dec. 16, 2011**

(51) **LOC (9) Cl.** **24-02**

(52) **U.S. Cl.** **D24/113**

(58) **Field of Classification Search** D24/112-114,
D24/133, 186, 104, 130, 127; 606/181, 185;
604/232, 187, 158, 164.08, 192, 263, 163,
604/181, 184, 198, 227

See application file for complete search history.

(56) **References Cited**

U.S. PATENT DOCUMENTS

D353,197	S	*	12/1994	Hawks	D24/112
5,593,388	A		1/1997	Phillips		
5,599,314	A		2/1997	Neill		
5,688,251	A		11/1997	Chanoch		
5,961,495	A		10/1999	Walters et al.		
D455,209	S	*	4/2002	Himbert	D24/114
D503,477	S	*	3/2005	Hawley et al.	D24/114
D520,636	S	*	5/2006	Hawley et al.	D24/114
D531,308	S		10/2006	Bendek et al.		
D545,439	S	*	6/2007	Draudt et al.	D24/186
D578,216	S	*	10/2008	Dorn et al.	D24/133
7,438,208	B2	*	10/2008	Larson	606/185
D604,855	S	*	11/2009	Shearlaw et al.	D24/186
D619,702	S	*	7/2010	Galbraith	D24/114
D622,374	S	*	8/2010	Julian et al.	D24/113

D626,222	S	*	10/2010	Studenec	D24/133
D629,098	S	*	12/2010	Sonleiter et al.	D24/133
D637,287	S	*	5/2011	Mudd et al.	D24/133

OTHER PUBLICATIONS

- Co-pending U.S. Appl. No. 29/408,772, filed Dec. 16, 2011.
- Co-pending U.S. Appl. No. 29/405,940, filed Nov. 8, 2011.
- Co-pending U.S. Appl. No. 29/405,936, filed Nov. 8, 2011.
- Co-pending U.S. Appl. No. 29/405,925, filed Nov. 8, 2011.
- Co-pending U.S. Appl. No. 29/405,930, filed Nov. 8, 2011.
- Co-pending U.S. Appl. No. 29/405,943, filed Nov. 8, 2011.
- Co-pending U.S. Appl. No. 29/405,945, filed Nov. 8, 2011.
- Co-pending U.S. Appl. No. 29/405,947, filed Nov. 8, 2011.
- Co-pending U.S. Appl. No. 29/405,935, filed Nov. 8, 2011.
- Co-pending U.S. Appl. No. 29/405,938, filed Nov. 8, 2011.

* cited by examiner

Primary Examiner — David Muller

(74) *Attorney, Agent, or Firm* — The Webb Law Firm

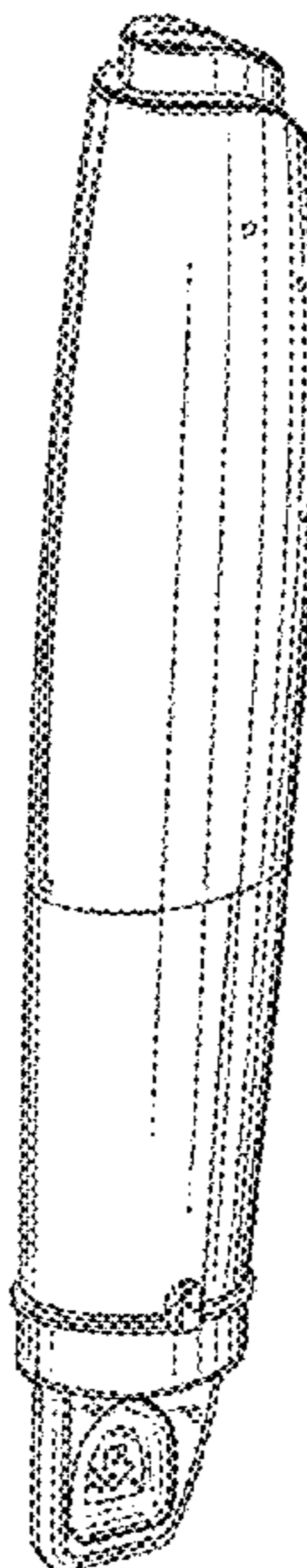
(57) **CLAIM**

The ornamental design for a medical injector, as shown and described.

DESCRIPTION

FIG. 1 is a perspective right side view of a medical injector in accordance with an embodiment of the present invention; FIG. 2 is a left side elevation view thereof, with the right side being a mirror image thereof; FIG. 3 is a top plan view thereof, shown at a larger scale; FIG. 4 is a rear elevation view thereof; FIG. 5 is a front elevation view thereof; and, FIG. 6 is a bottom plan view thereof, shown at a larger scale.

1 Claim, 2 Drawing Sheets



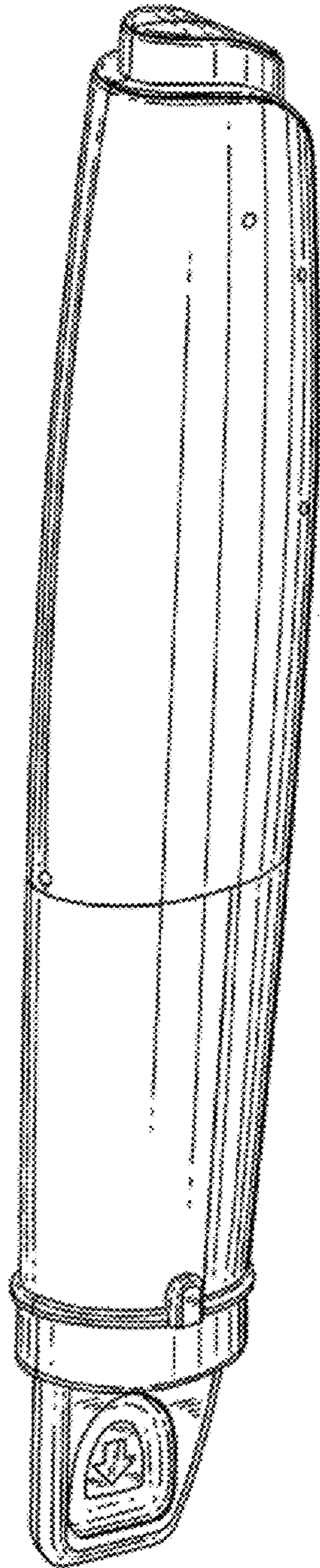


FIG. 1

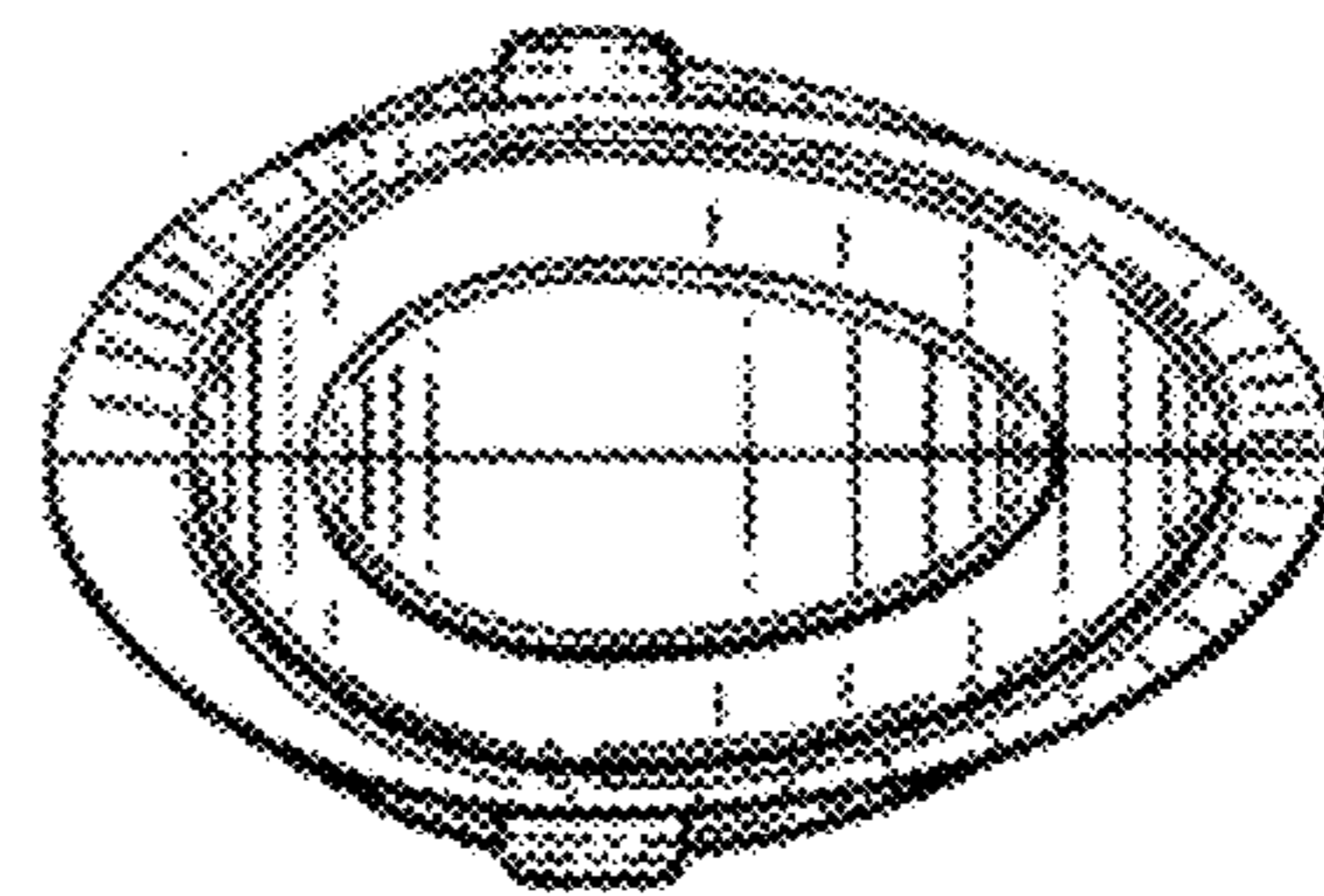


FIG. 3

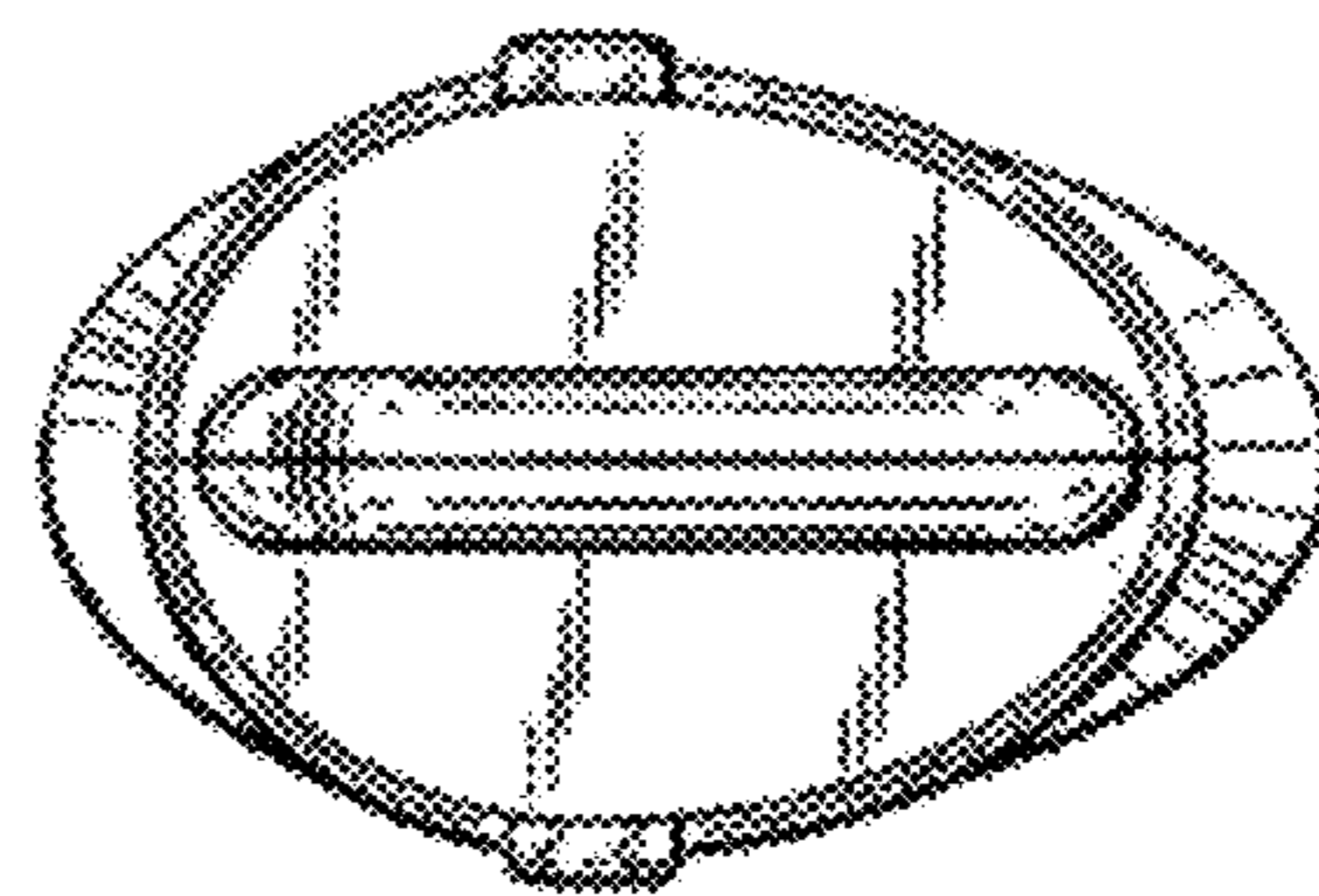


FIG. 6

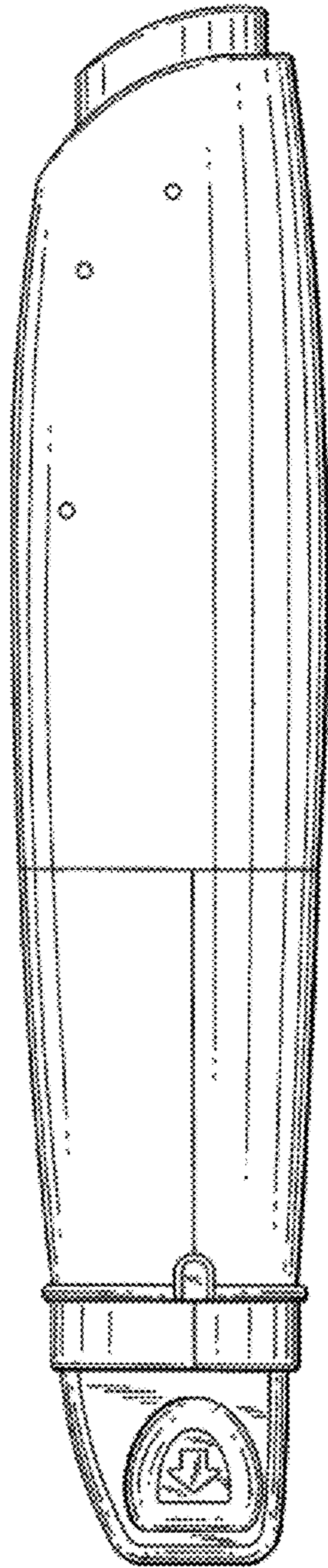


FIG. 2

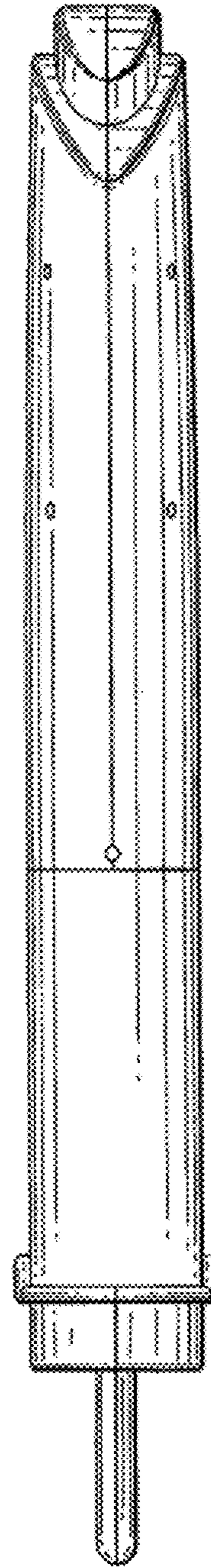


FIG. 4

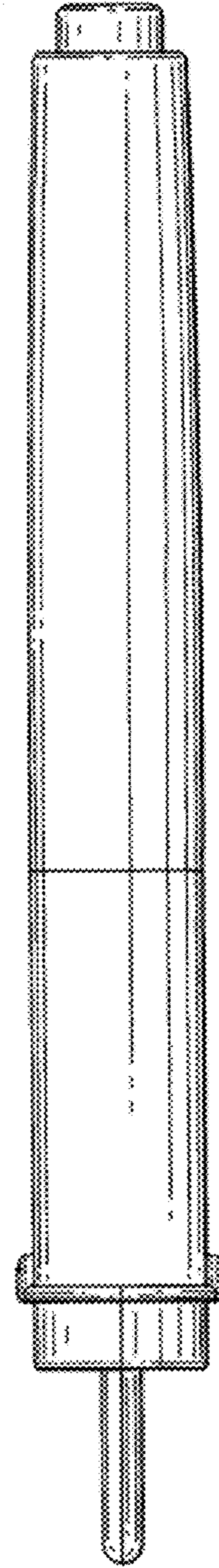


FIG. 5