



US00D670374S

(12) **United States Design Patent**
Bobjer et al.

(10) **Patent No.:** **US D670,374 S**

(45) **Date of Patent:** **** *Nov. 6, 2012**

(54) **INHALER**

(75) Inventors: **Kajsa Bobjer**, Malmö (SE); **Camilla Lundström**, Malmö (SE); **Mårten Rittfeldt**, Malmö (SE); **Jonas Svennberg**, Malmö (SE)

(73) Assignee: **AstraZeneca UK Limited**, London (GB)

(*) Notice: This patent is subject to a terminal disclaimer.

(**) Term: **14 Years**

(21) Appl. No.: **29/382,992**

(22) Filed: **Jan. 11, 2011**

(30) **Foreign Application Priority Data**

Jul. 21, 2010 (EM) 001734237-0002

(51) **LOC (9) Cl.** **29-01**

(52) **U.S. Cl.** **D24/110**

(58) **Field of Classification Search** D24/110;
128/203.15, 203.21, 200.14, 200.23, 205.24,
128/202.21

See application file for complete search history.

(56) **References Cited**

U.S. PATENT DOCUMENTS

D452,910 S * 1/2002 Braithwaite et al. D24/110
D518,171 S * 3/2006 Anderson et al. D24/110
D560,793 S * 1/2008 Pearl et al. D24/110
D569,967 S * 5/2008 Pearl et al. D24/110
D576,724 S * 9/2008 Jensen et al. D24/110
D579,544 S * 10/2008 Birath et al. D24/110

D590,495 S * 4/2009 Lulla et al. D24/110
D590,938 S * 4/2009 Lulla et al. D24/110
D636,485 S * 4/2011 White et al. D24/110
D641,076 S * 7/2011 Grunstad et al. D24/110
2008/0236579 A1* 10/2008 Zierenberg et al. 128/203.15
2008/0295833 A1* 12/2008 Rohrschneider
et al. 128/203.15

* cited by examiner

Primary Examiner — Ian Simmons

Assistant Examiner — Carissa C Fitts

(74) *Attorney, Agent, or Firm* — Finnegan, Henderson, Farabow, Garrett & Dunner, LLP

(57) **CLAIM**

The ornamental design for an inhaler, as shown and described.

DESCRIPTION

FIG. 1 is a perspective view of an inhaler with an open mouthpiece;

FIG. 2 is a front view of the inhaler of FIG. 1 with the mouthpiece open;

FIG. 3 is a rear view of the inhaler of FIG. 1;

FIG. 4 is a first end view of the inhaler of FIG. 1 with the mouthpiece open;

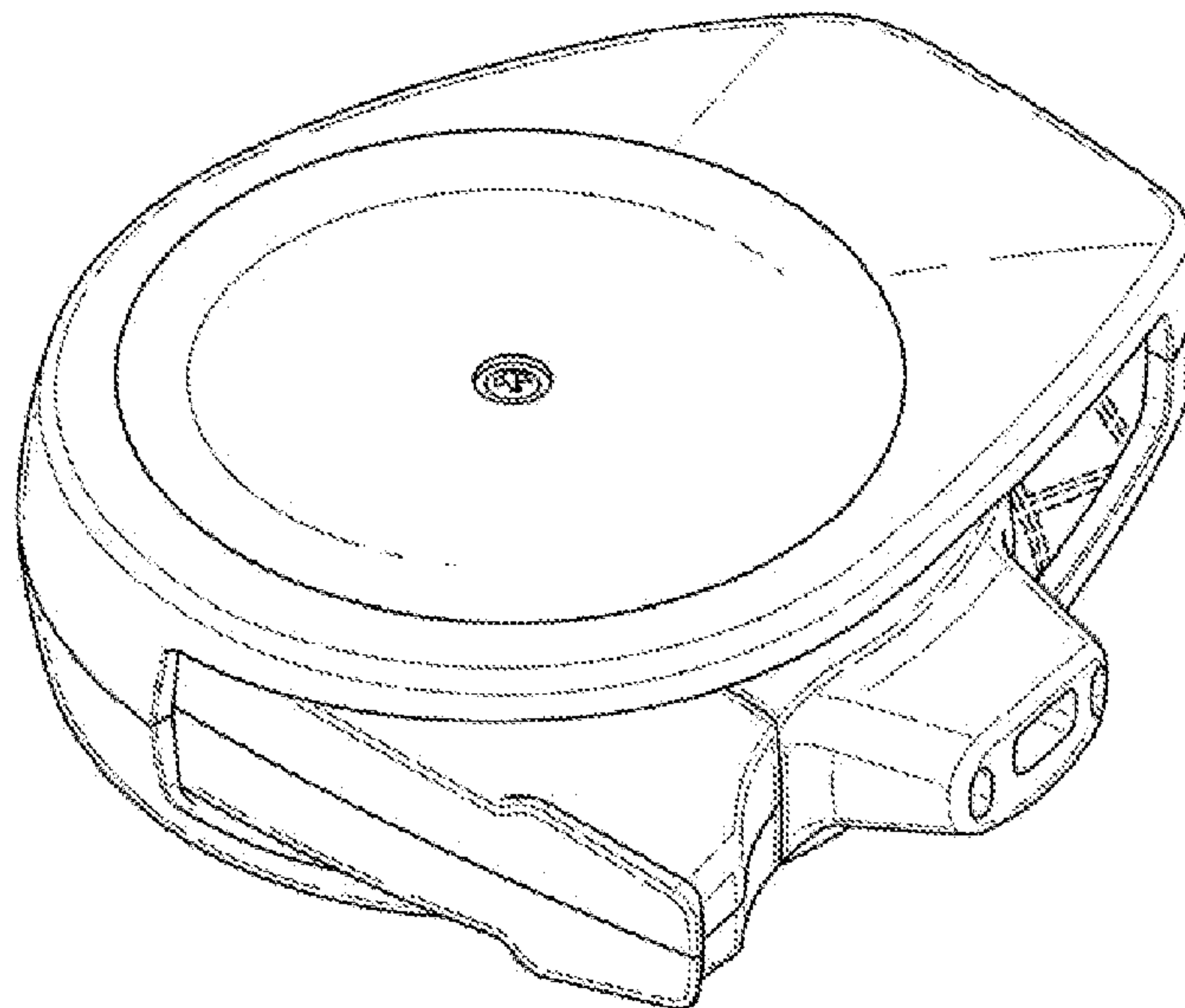
FIG. 5 is a second end view of the inhaler of FIG. 1 with the mouthpiece open;

FIG. 6 is a bottom plan view of the inhaler of FIG. 1 with the mouthpiece open; and,

FIG. 7 is a top plan view of the inhaler of FIG. 1 with the mouthpiece open and an indicator indicating that a dose has been dispensed.

The broken lines in FIGS. 1 and 2 are included for the purpose of illustrating a portion of the inhaler that forms no part of the claimed design.

1 Claim, 4 Drawing Sheets



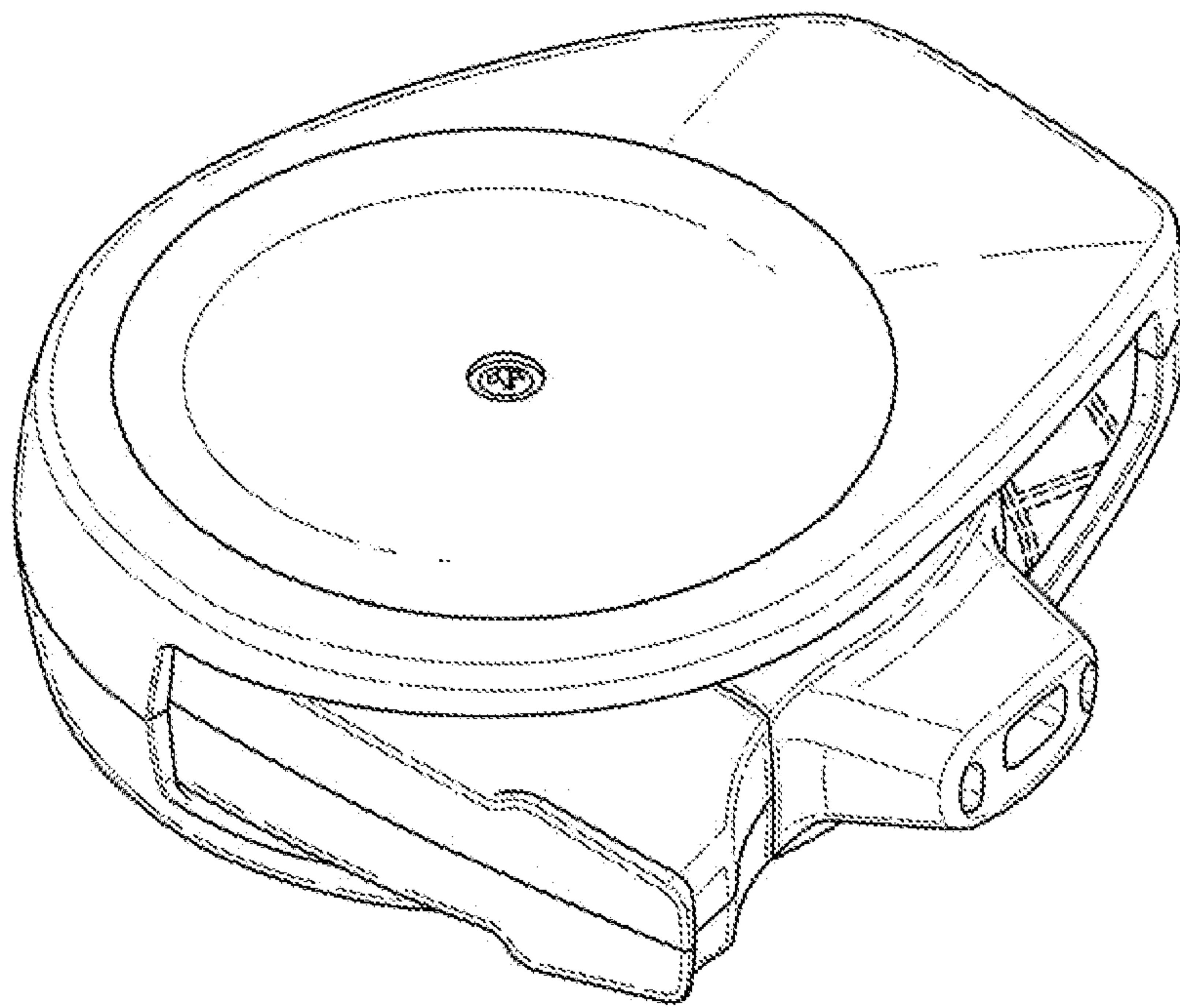


Fig. 1

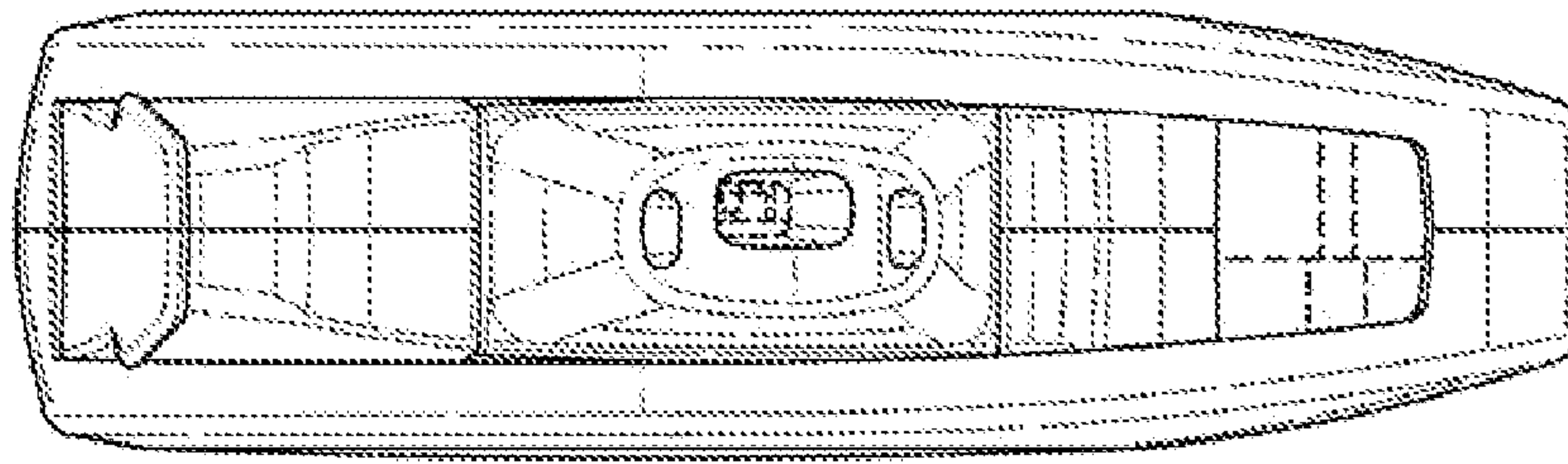


Fig. 2

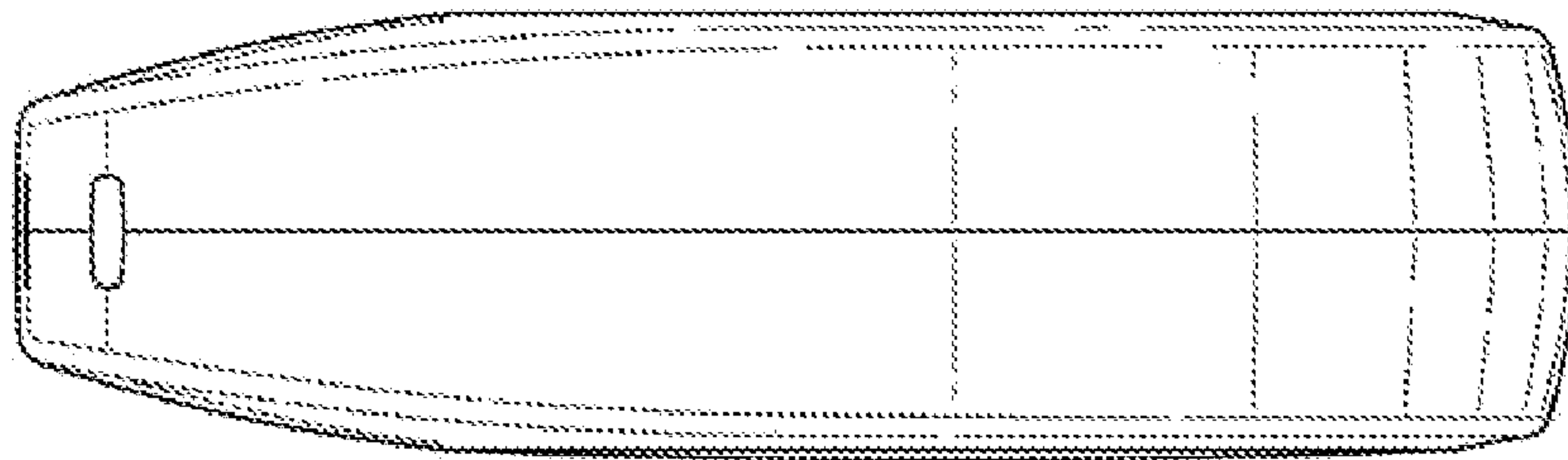


Fig. 3

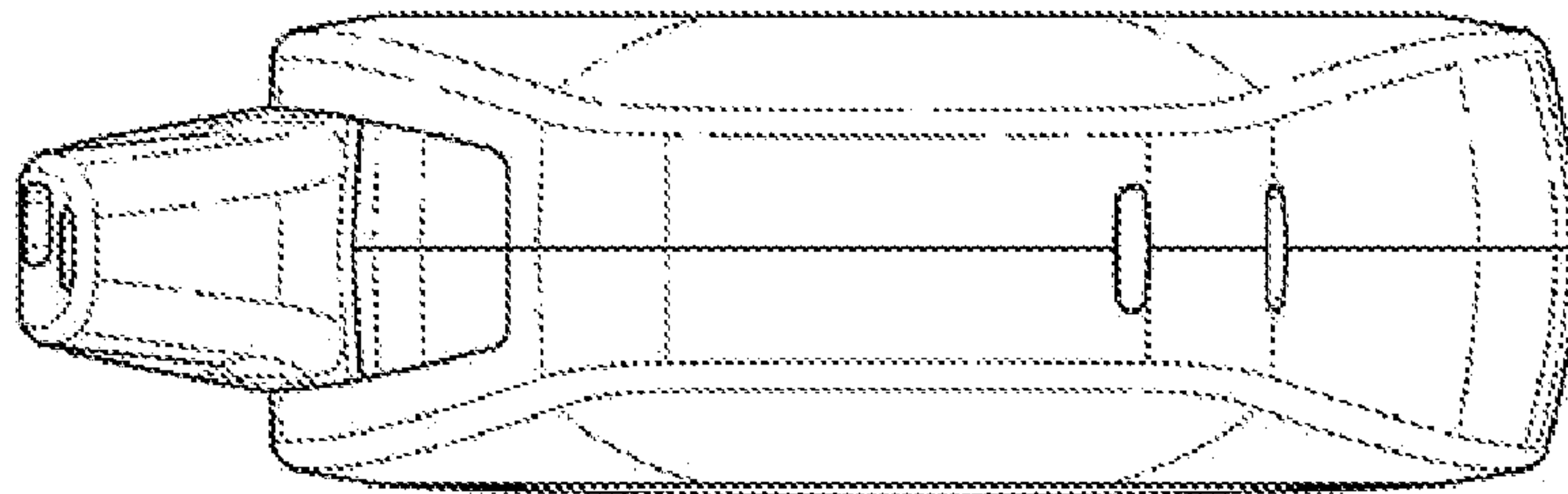


Fig. 4

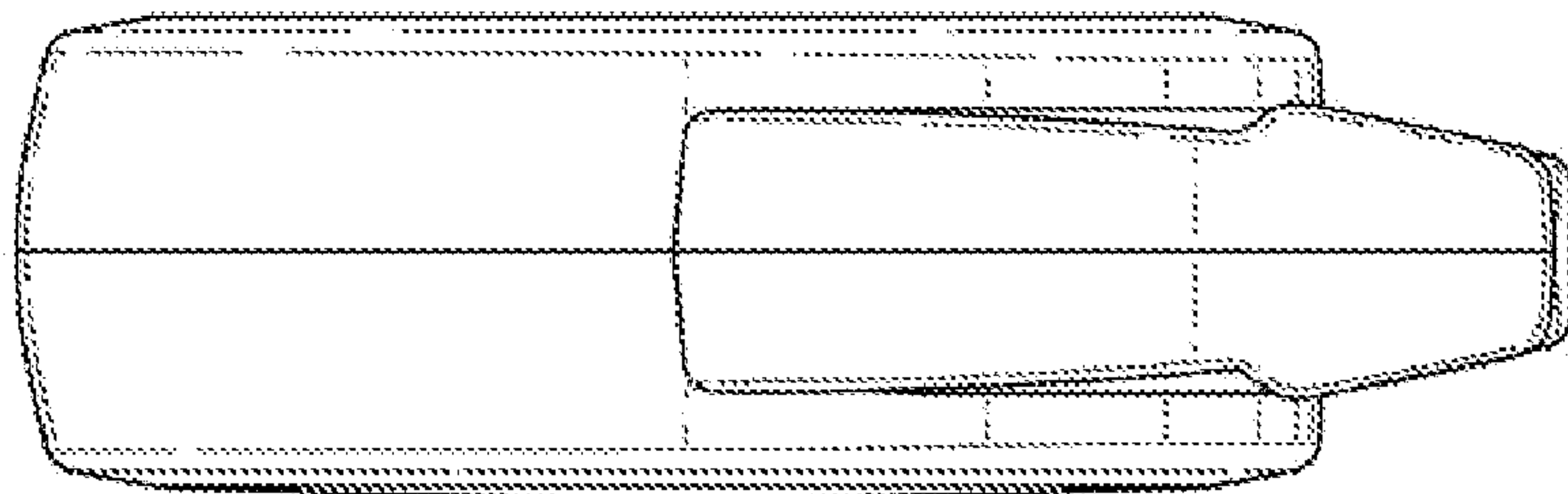


Fig. 5

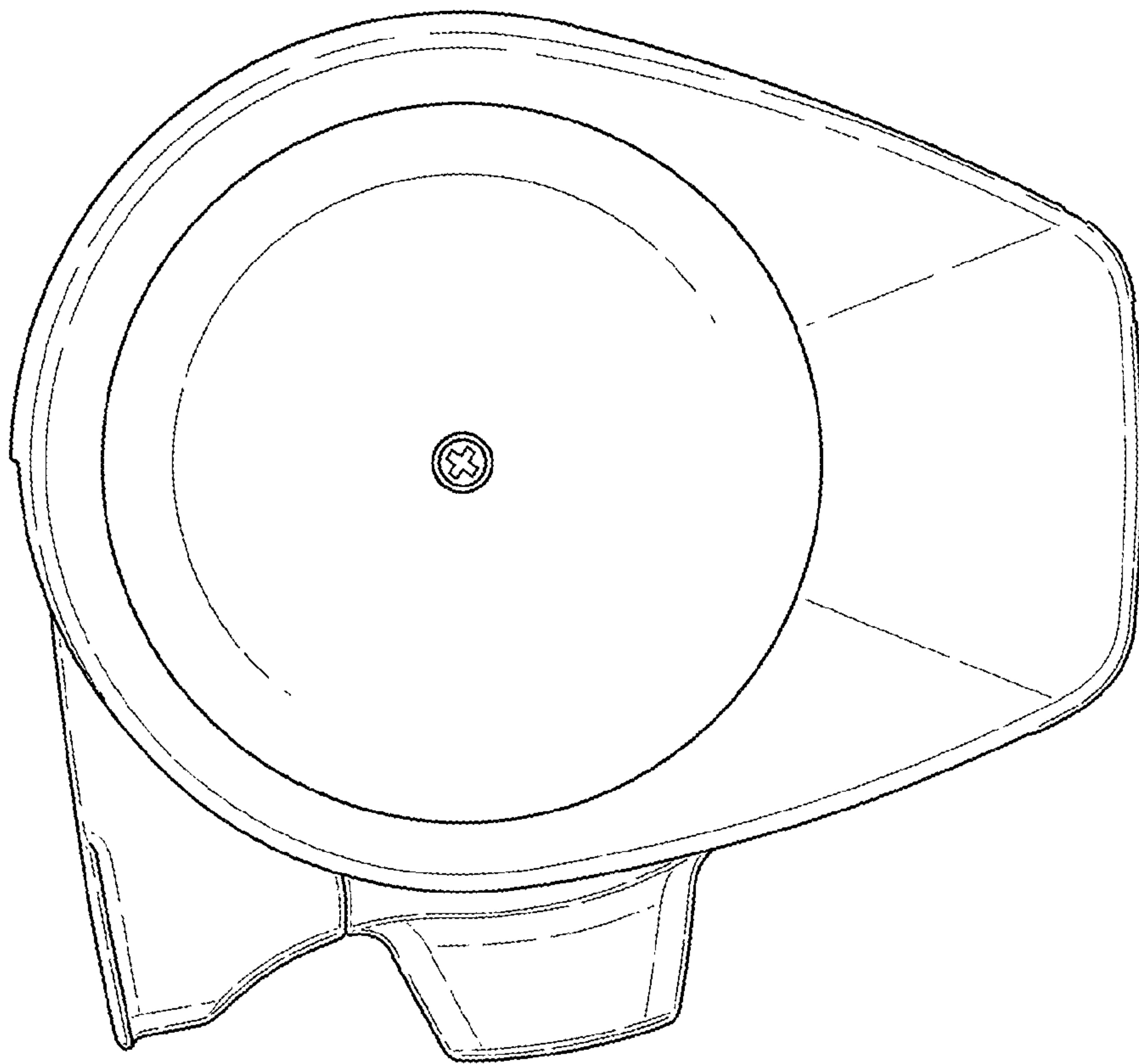


Fig. 6

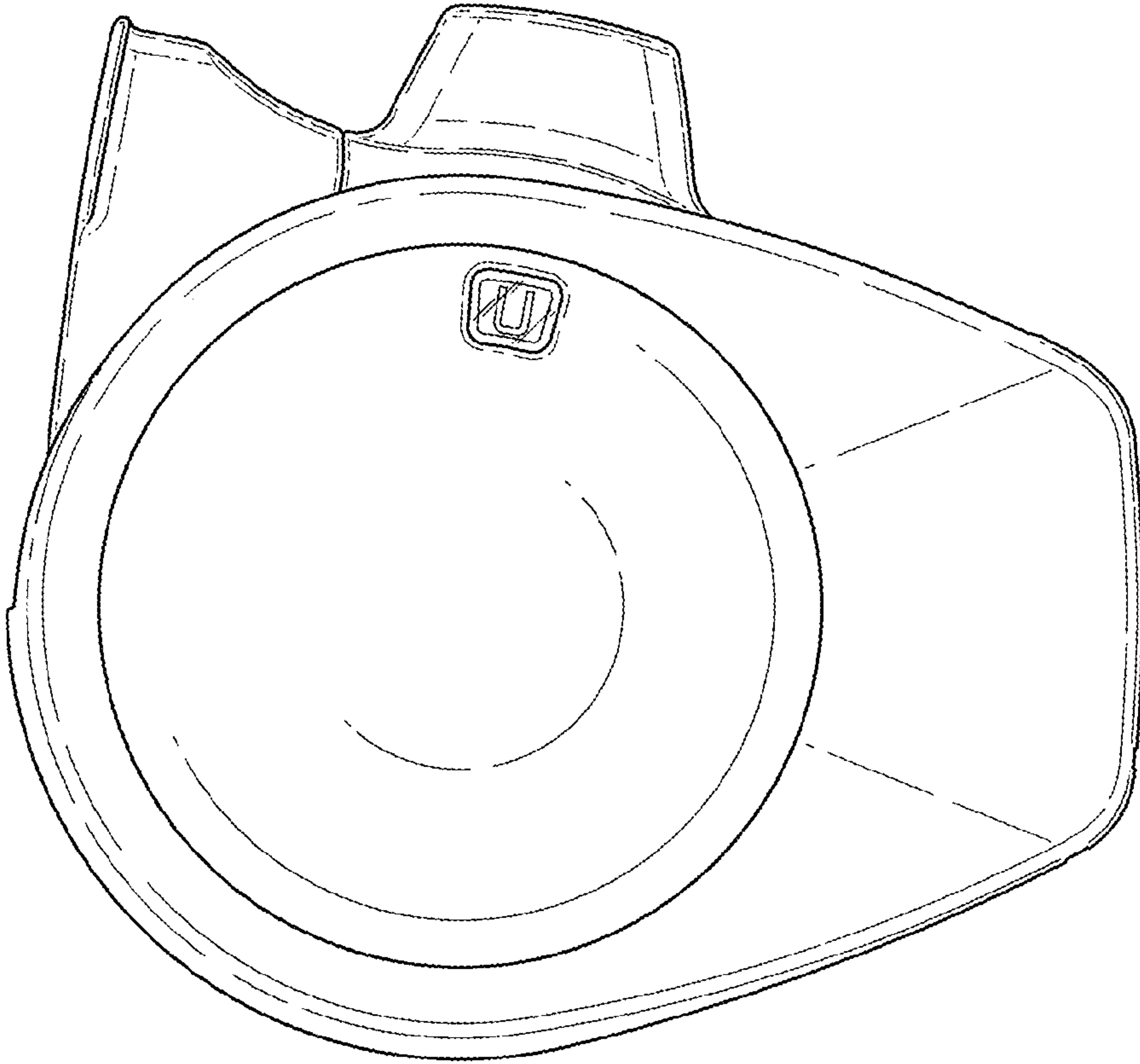


Fig. 7