



US00D670369S

(12) **United States Design Patent**
Cassell et al.

(10) **Patent No.:** **US D670,369 S**
(45) **Date of Patent:** **** Nov. 6, 2012**

(54) **PORTABLE HEATER**
(75) Inventors: **Shannon G. Cassell**, Easley, SC (US);
Joseph B. Lee, Jr., Bowling Green, KY (US)
(73) Assignee: **Procom Heating, Inc**, Brea, CA (US)
(**) Term: **14 Years**

4,340,362 A 7/1982 Chalupsky et al.
4,443,187 A 4/1984 Shaftner et al.
5,476,378 A 12/1995 Zagoroff et al.
5,893,711 A 4/1999 Vogelzang et al.
D419,230 S * 1/2000 Ciccone D23/333
6,142,141 A 11/2000 Long
6,152,128 A 11/2000 Willey et al.
6,880,549 B2 4/2005 Topp
D577,173 S 9/2008 Pitchford et al.
D598,526 S 8/2009 Pitchford et al.

(21) Appl. No.: **29/411,822**
(22) Filed: **Jan. 26, 2012**
(51) **LOC (9) Cl.** **23-01**
(52) **U.S. Cl.** **D23/328**
(58) **Field of Classification Search** D23/314,
D23/317, 323, 328, 330, 332-350, 386; 392/465,
392/497, 501; 165/163, 157; 126/304 R,
126/305, 306, 110 B; 432/222
See application file for complete search history.

FOREIGN PATENT DOCUMENTS
JP 56133872 10/1981
* cited by examiner

Primary Examiner — T. Chase Nelson
Assistant Examiner — Ania Aman
(74) *Attorney, Agent, or Firm* — Middleton Reutlinger;
Chad D. Bruggeman; John F. Salazar

(56) **References Cited**

U.S. PATENT DOCUMENTS

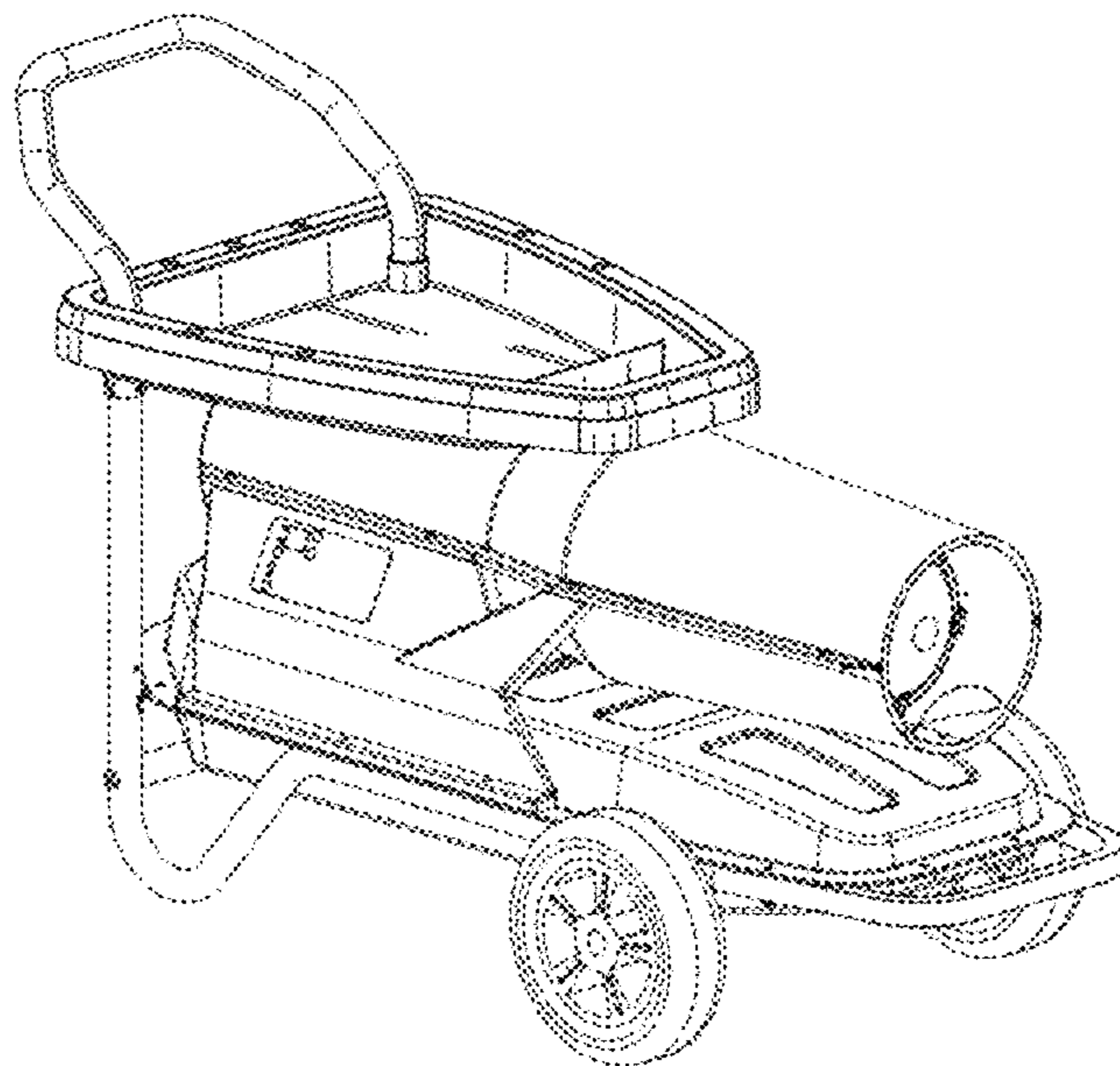
2,405,427 A	8/1946	Holthouse
2,540,280 A	2/1951	Norman, Jr.
2,552,492 A	5/1951	Nathan
2,758,590 A	8/1956	Besser
3,073,583 A	1/1963	Woollen, Jr.
3,092,095 A	6/1963	Hottenroth et al.
3,101,193 A	8/1963	Varvel
3,256,003 A	6/1966	Briggs
3,319,947 A	5/1967	Truesdell
3,364,917 A	1/1968	Woollen, Jr.
3,393,903 A	7/1968	Berglund, Jr.
3,401,920 A	9/1968	Berkhoudt et al.
3,883,290 A	5/1975	Windelbandt
3,998,581 A	12/1976	Hemingway et al.
4,313,417 A	2/1982	Briggs et al.
D264,374 S	5/1982	Briggs et al.

(57) **CLAIM**
The ornamental design for a portable heater, as shown and described.

DESCRIPTION

FIG. 1 is a top perspective view of the portable heater design; FIG. 2 is another top perspective view thereof; FIG. 3 is a bottom perspective view thereof; FIG. 4 is a left side view thereof; FIG. 5 is a right side view thereof; FIG. 6 is a front view thereof; FIG. 7 is a rear view thereof; FIG. 8 is a top view thereof; and, FIG. 9 is a bottom view thereof. The broken lines illustrate portions of the portable heater which form no part of the claimed design.

1 Claim, 9 Drawing Sheets



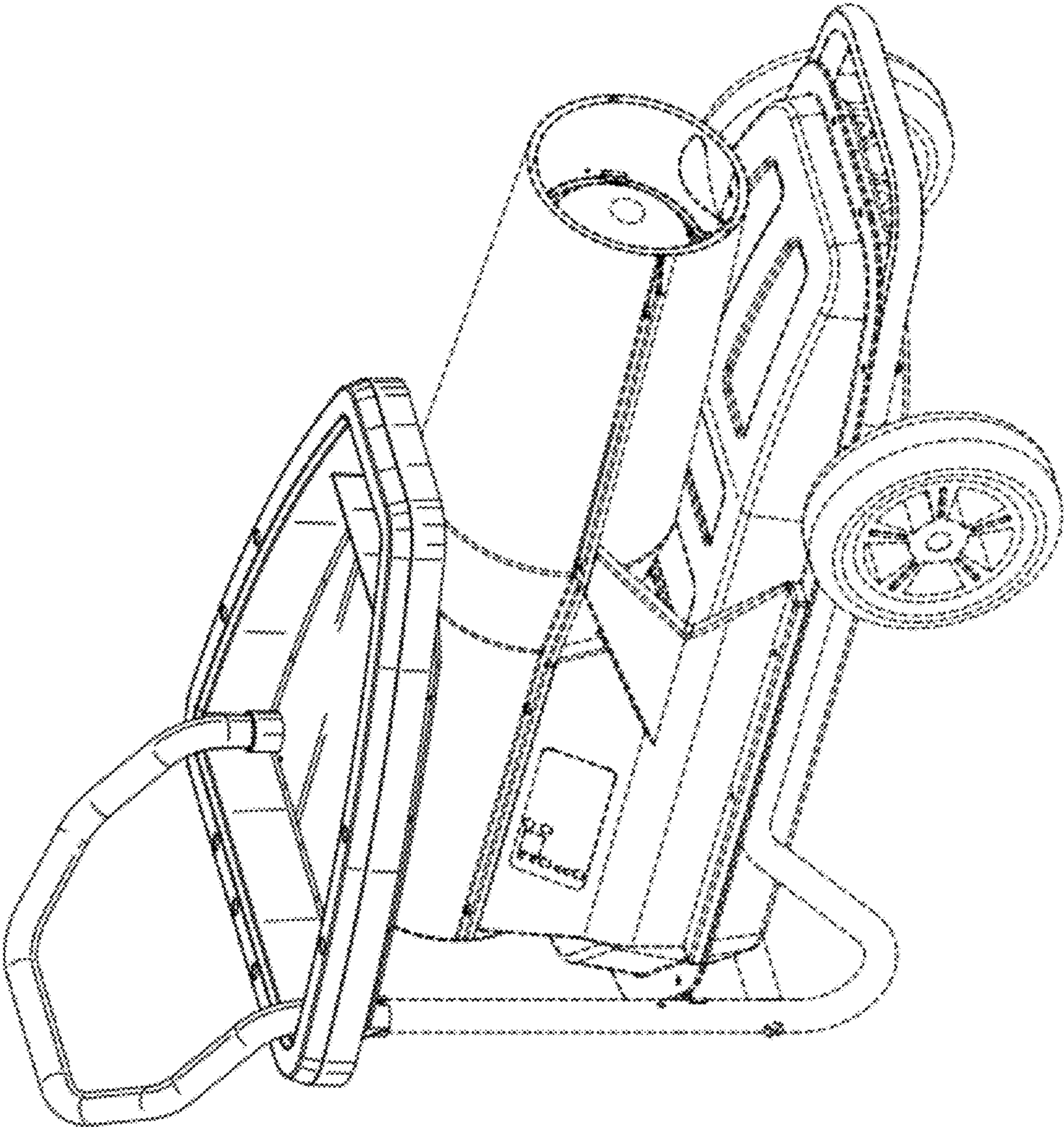


FIG. 1

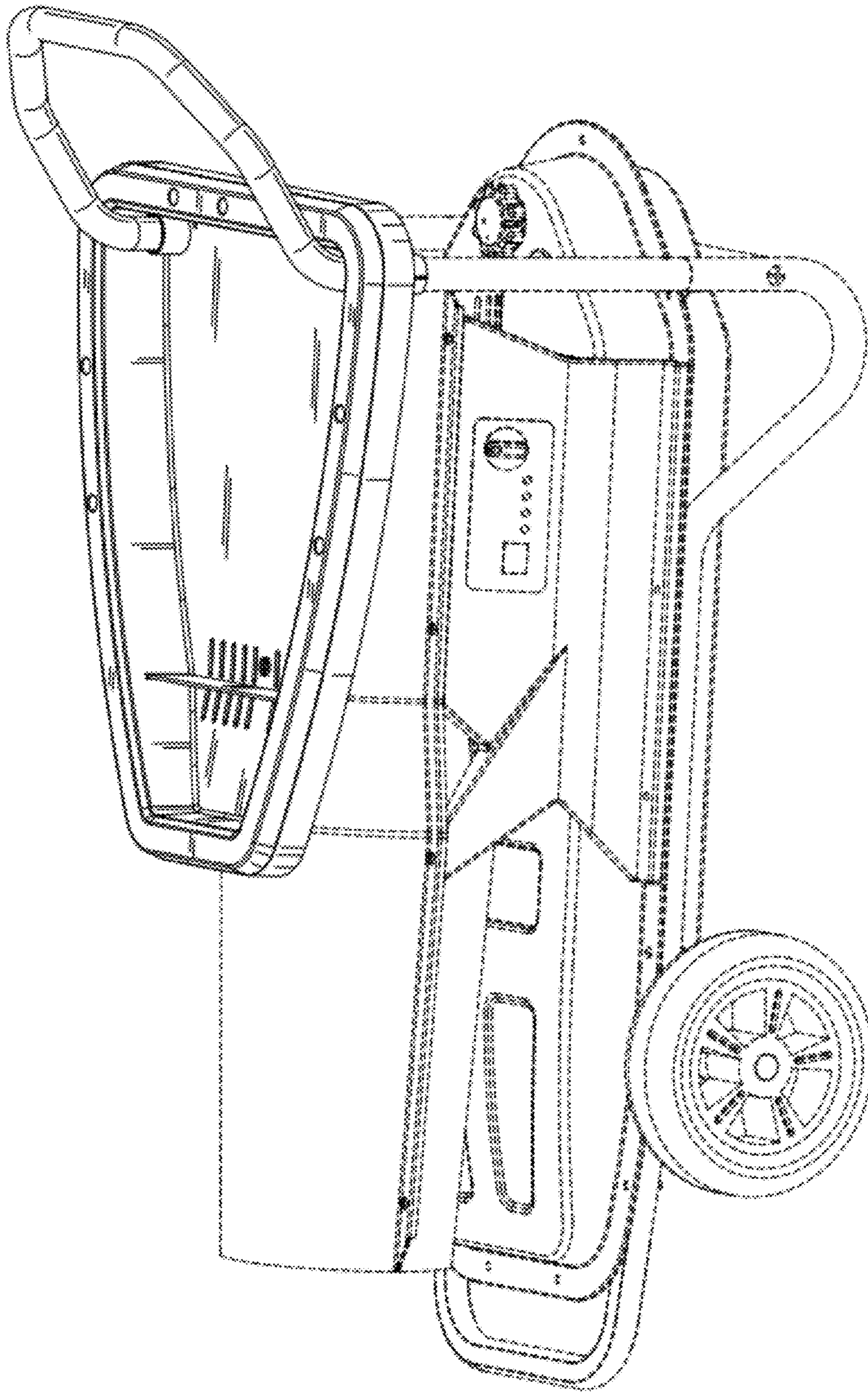


FIG. 2

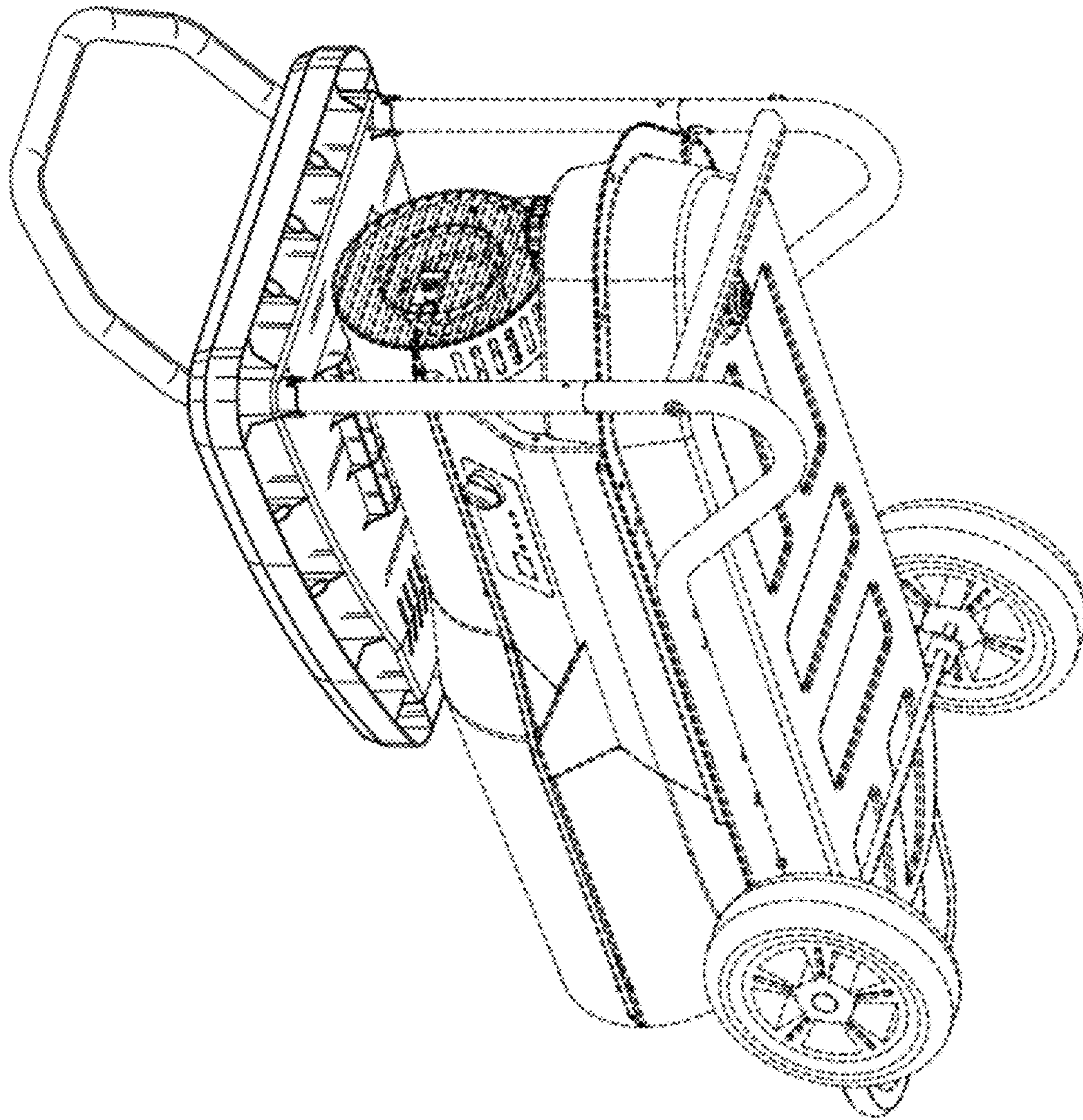


FIG. 3

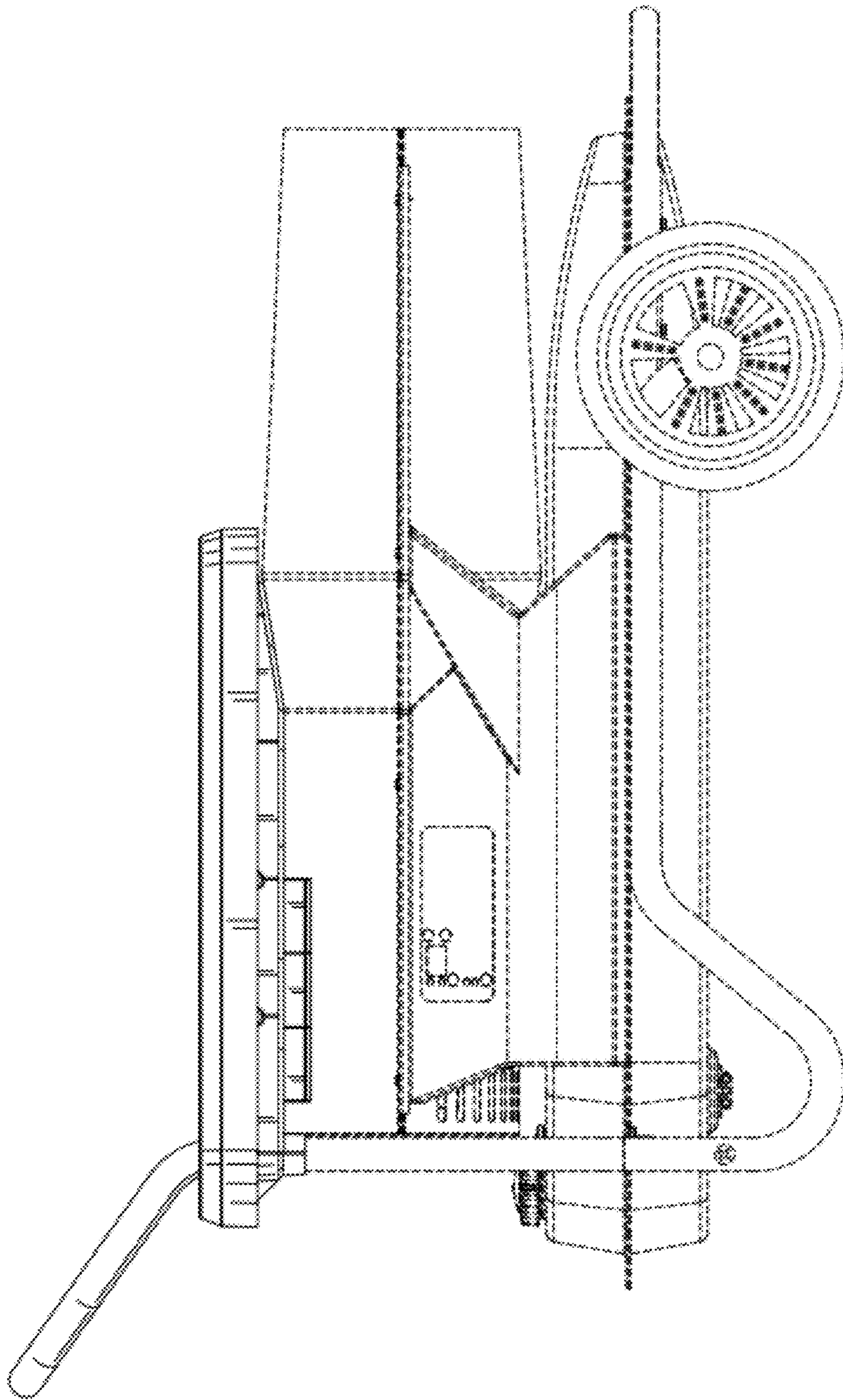


FIG. 4

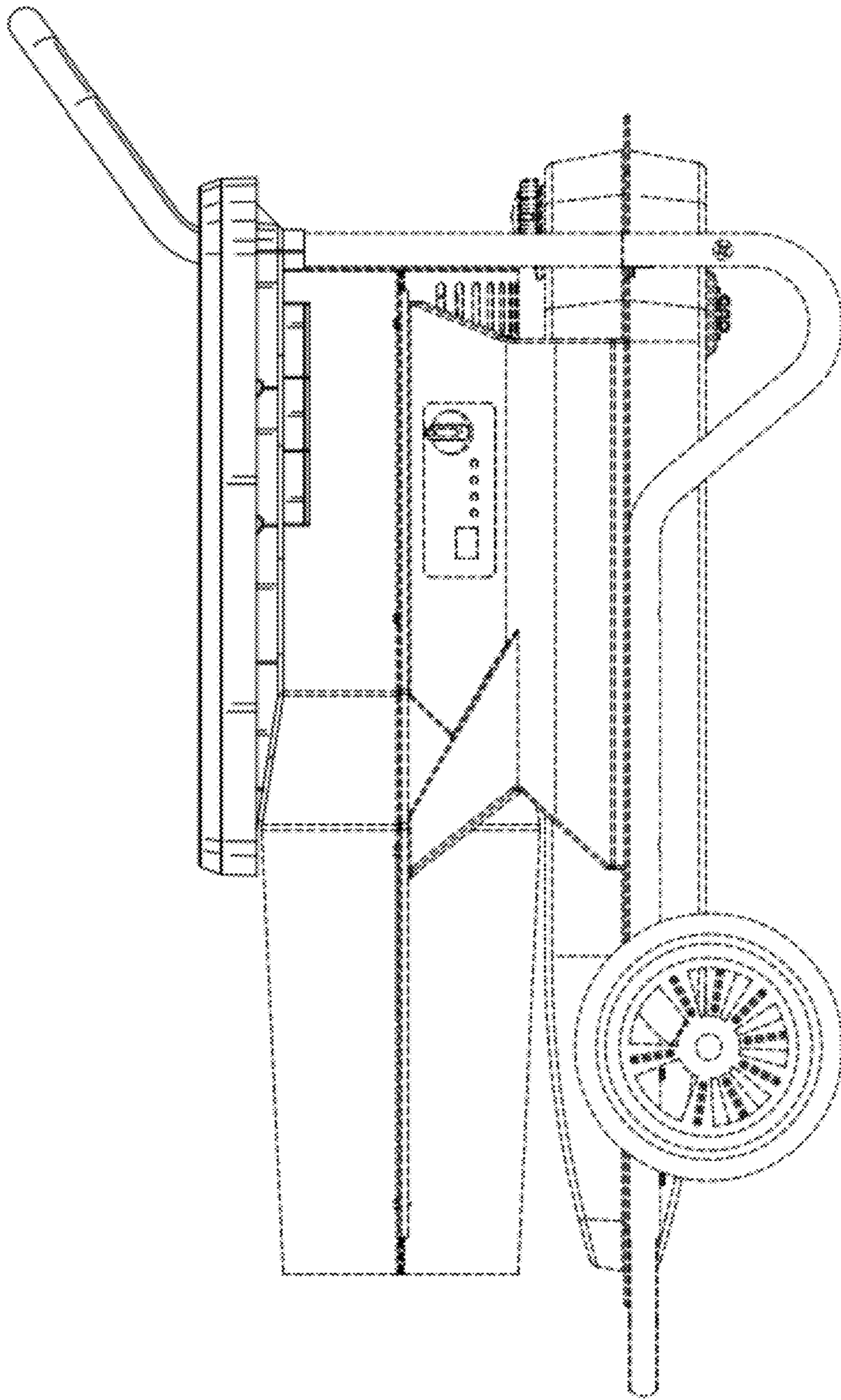


FIG. 5

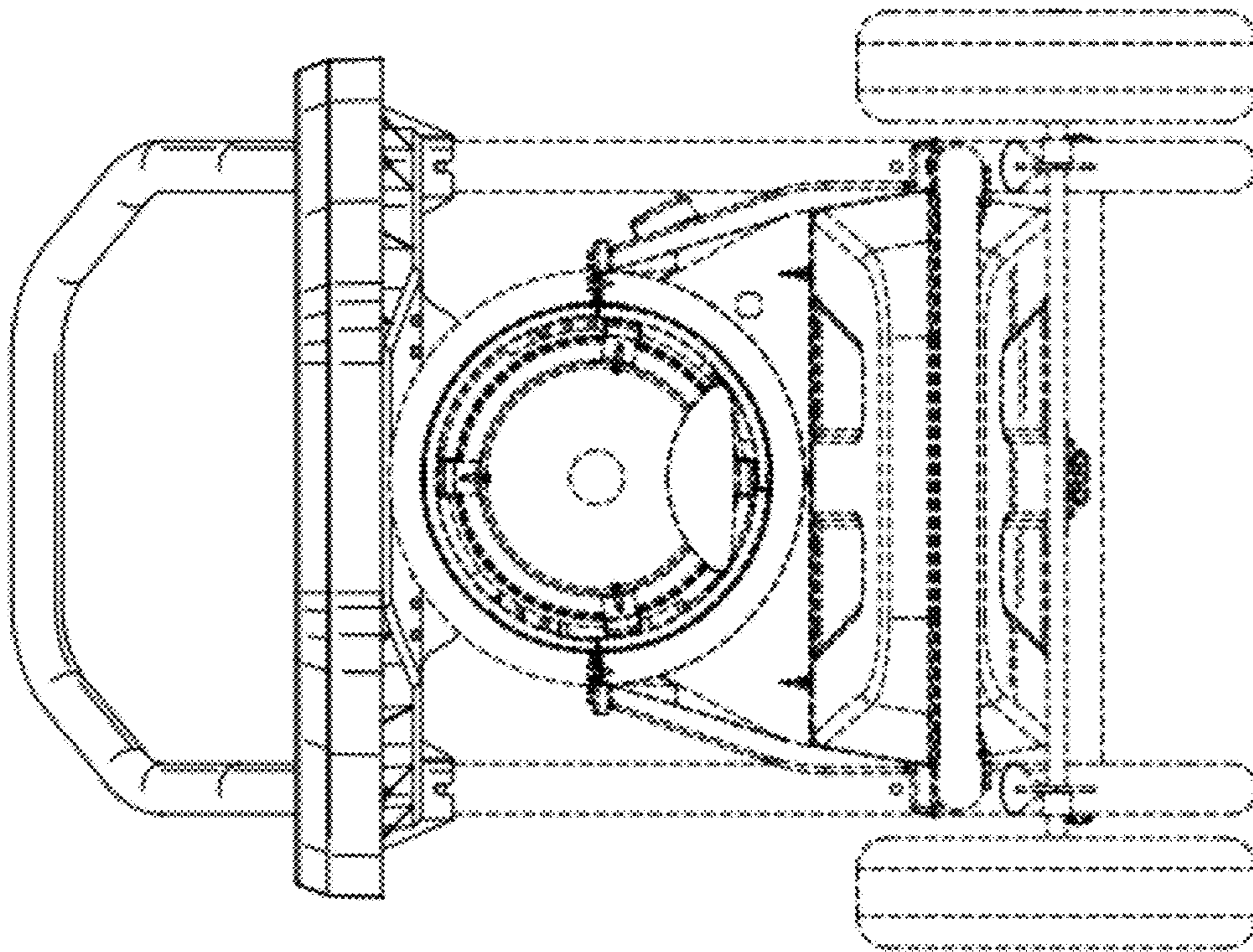


FIG. 6

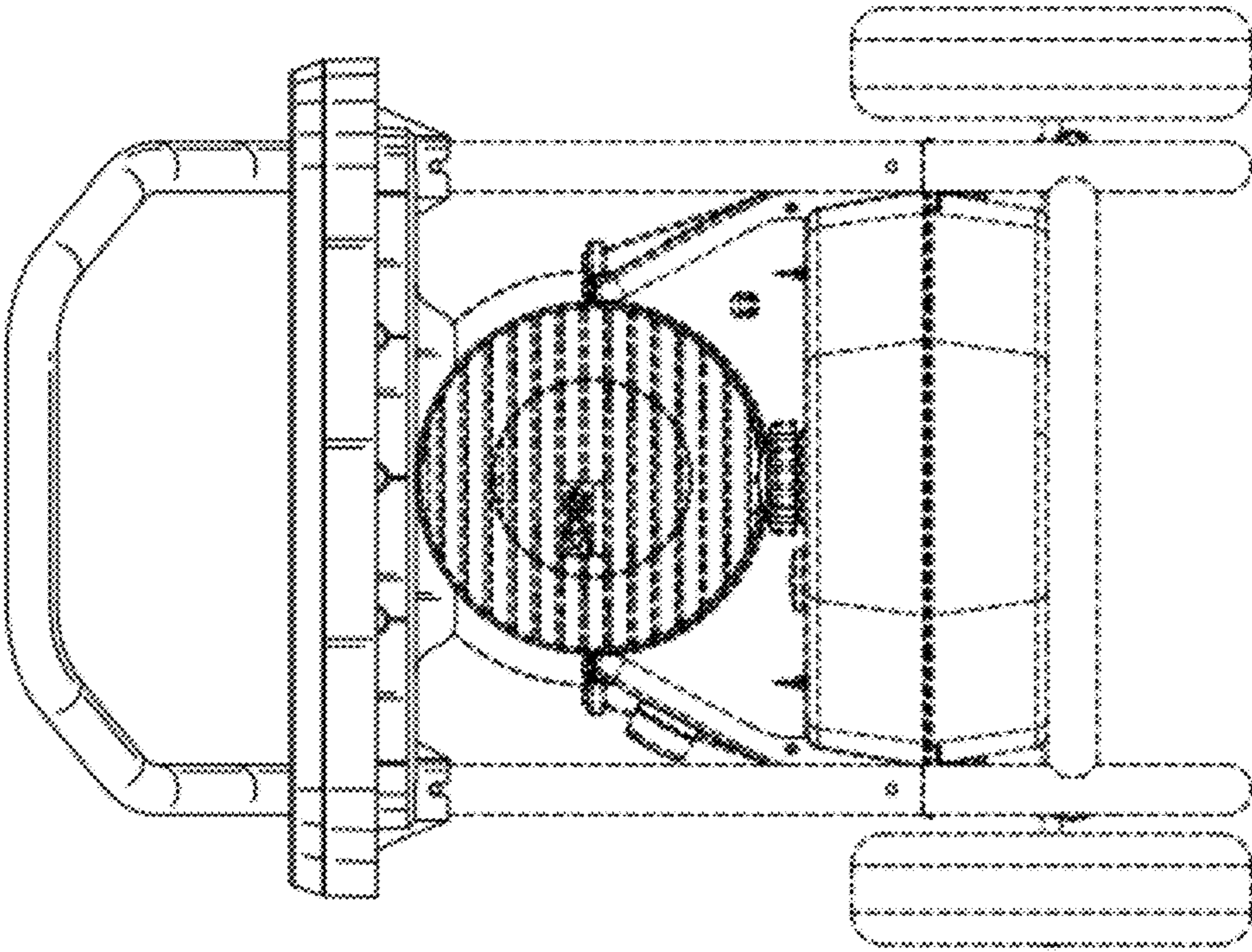


FIG. 7

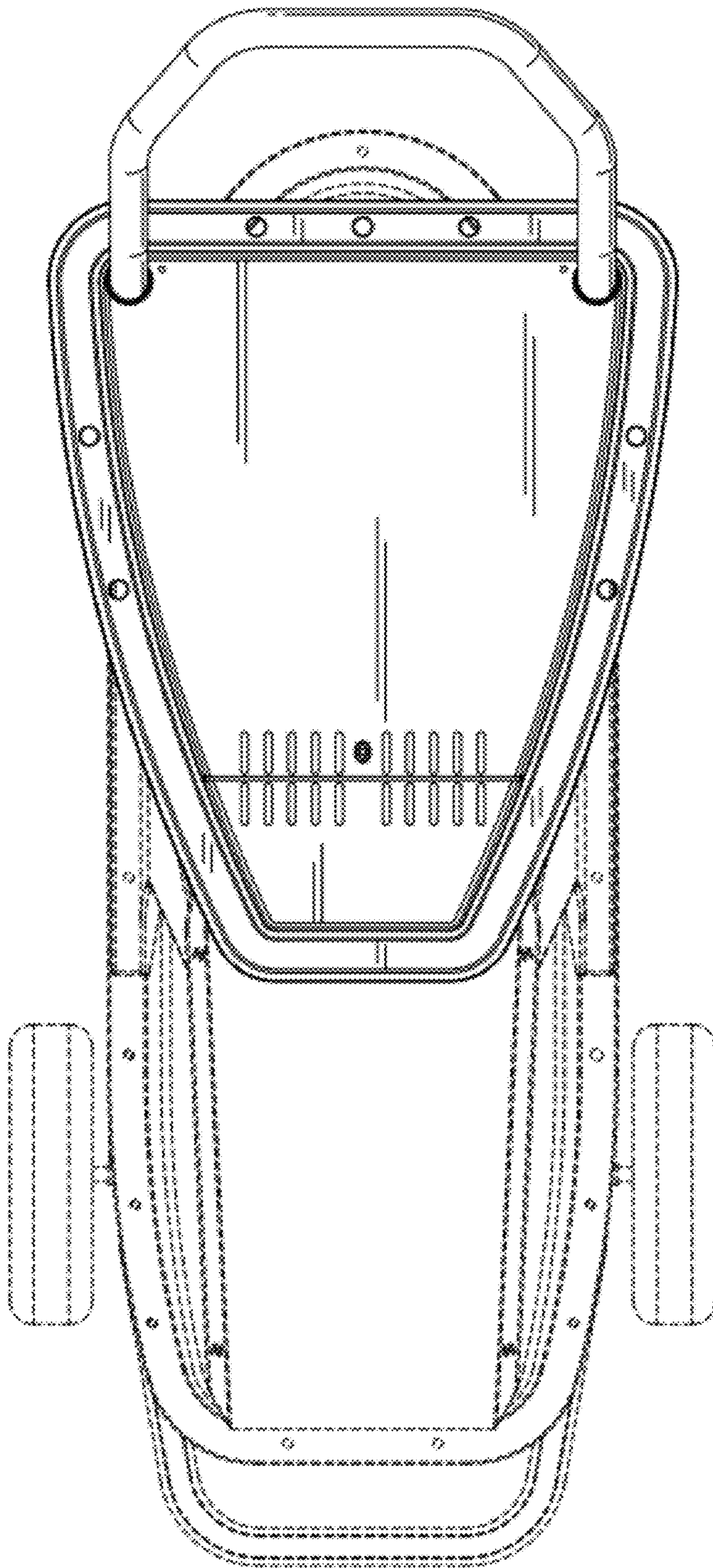


FIG. 8

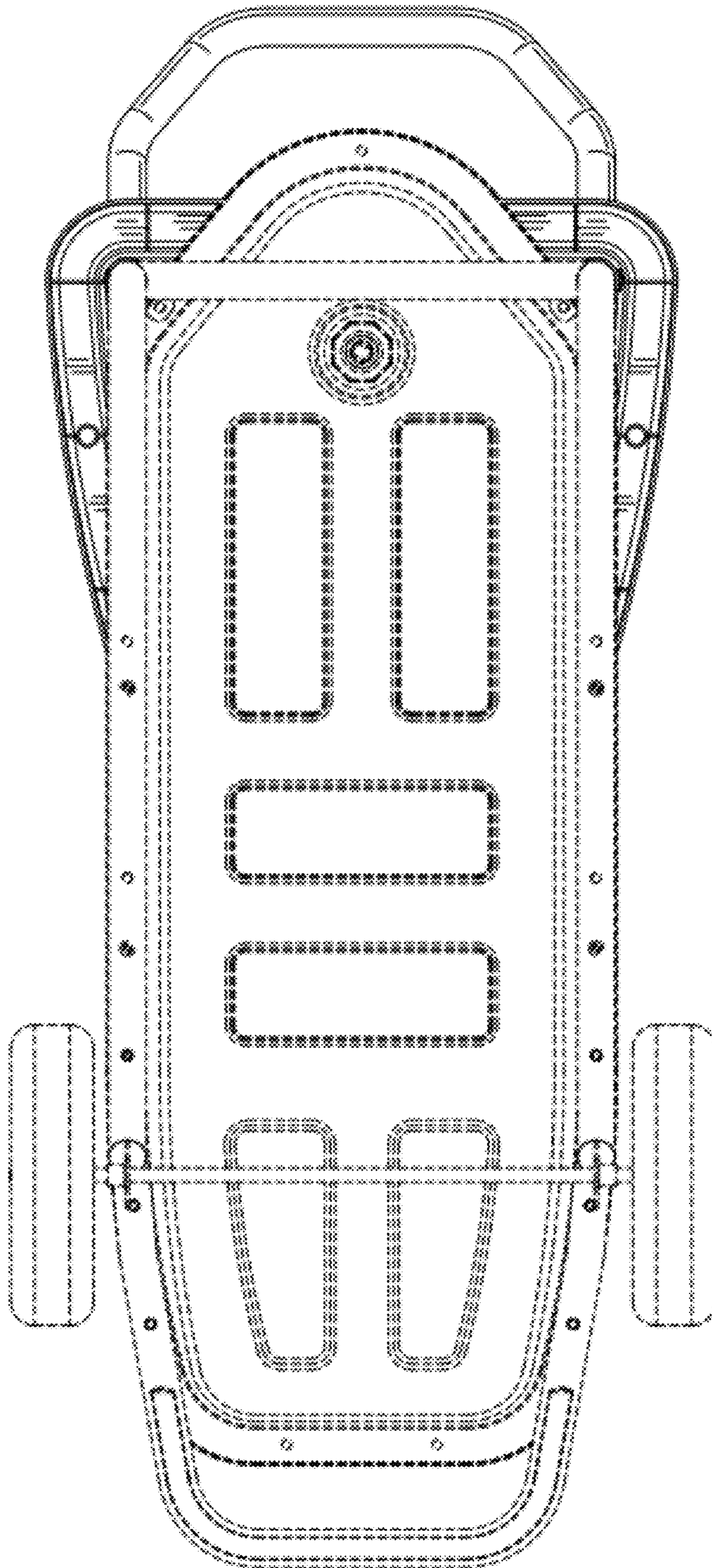


FIG. 9