



US00D670368S

(12) **United States Design Patent**
Vanderheyden et al.

(10) **Patent No.:** **US D670,368 S**

(45) **Date of Patent:** **** Nov. 6, 2012**

(54) **TOILET**

(75) Inventors: **Jacob P. Vanderheyden**, Sheboygan, WI (US); **Jacob Lussion**, Clayton, MO (US); **Nicholas Paterson**, Whitefish Bay, WI (US)

(73) Assignee: **Kohler Co.**, Kohler, WI (US)

(**) Term: **14 Years**

(21) Appl. No.: **29/417,192**

(22) Filed: **Mar. 30, 2012**

D514,673 S	2/2006	Lanius
D515,185 S	2/2006	Daikubara
D515,186 S	2/2006	Lanius
D523,126 S	6/2006	Bates
D621,012 S	8/2010	Bucher
D621,013 S	8/2010	Bucher
D621,488 S	8/2010	Bucher
D628,279 S	11/2010	Jiang
D647,184 S	10/2011	Bates

Primary Examiner — Robert Delehanty

(74) *Attorney, Agent, or Firm* — Foley & Lardner LLP

(57) **CLAIM**

We claim the ornamental design for a toilet, as shown and described.

Related U.S. Application Data

(62) Division of application No. 29/385,782, filed on Feb. 18, 2011, now Pat. No. Des. 657,852.

(51) **LOC (9) Cl.** **23-02**

(52) **U.S. Cl.** **D23/309**

(58) **Field of Classification Search** D23/295,
D23/301, 303, 309, 313; 4/300, 353, 420,
4/DIG. 15

See application file for complete search history.

(56) **References Cited**

U.S. PATENT DOCUMENTS

D323,880 S	2/1992	McKeone et al.
D387,858 S	12/1997	McKeone et al.
D441,437 S	5/2001	McKeone
D444,864 S	7/2001	McKeone
D455,822 S	4/2002	McKeone
D496,442 S	9/2004	Bates
D496,443 S	9/2004	Bates
D506,537 S	6/2005	Lanius

DESCRIPTION

FIG. 1 is a top perspective view of an embodiment of the claimed design;

FIG. 2 is a front elevation view of the claimed design of FIG. 1;

FIG. 3 is a left-side elevation view of the claimed design of FIG. 1;

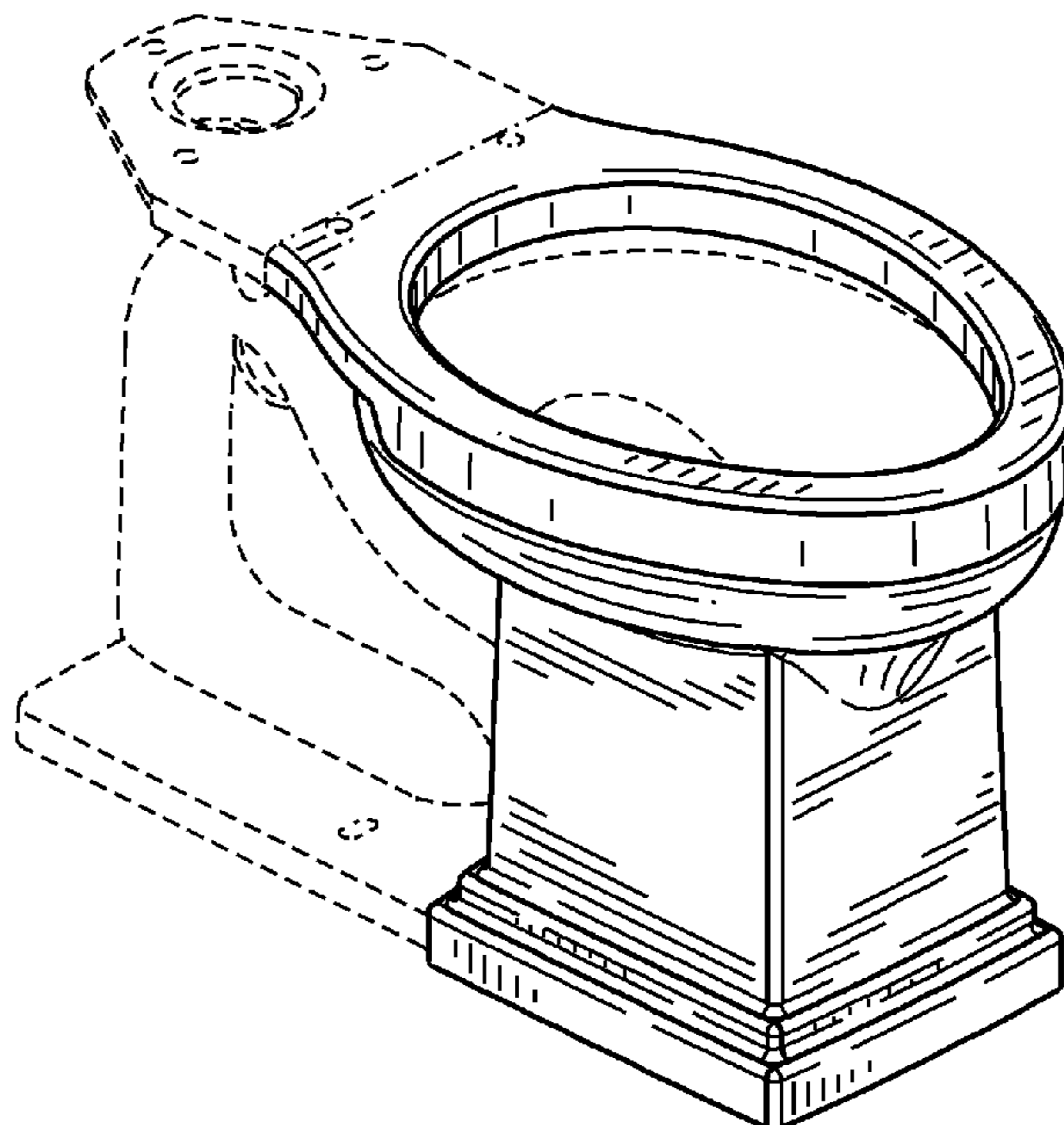
FIG. 4 is a right-side elevation view of the claimed design of FIG. 1;

FIG. 5 is a rear elevation view of the claimed design of FIG. 1;

FIG. 6 is a top plan view of the claimed design of FIG. 1; and, FIG. 7 is a bottom plan view of the claimed design of FIG. 1.

The ornamental design which is claimed is shown in solid lines in the drawings. The broken lines in the drawings are for illustrative purposes only and form no part of the claimed design.

1 Claim, 4 Drawing Sheets



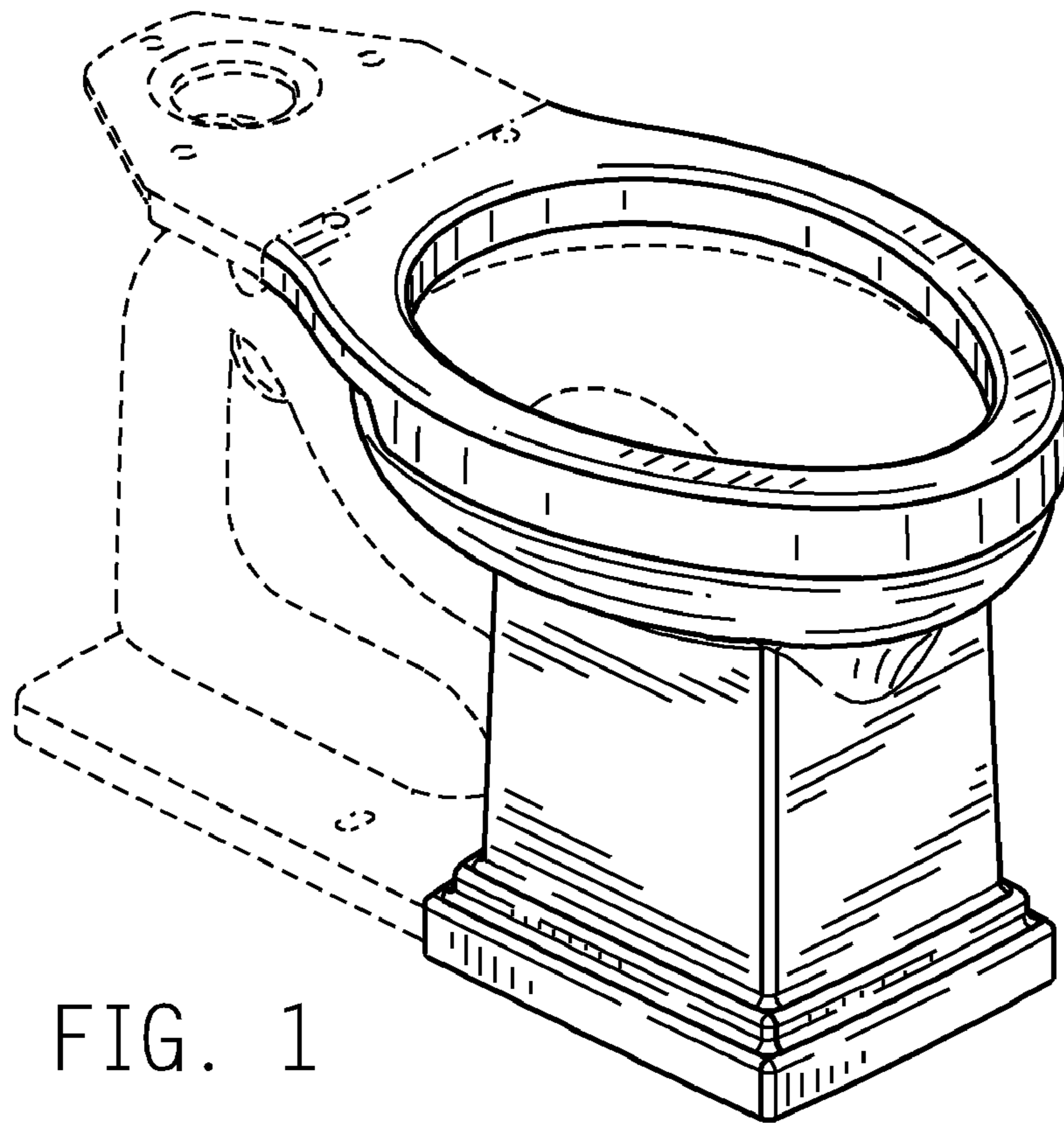


FIG. 1

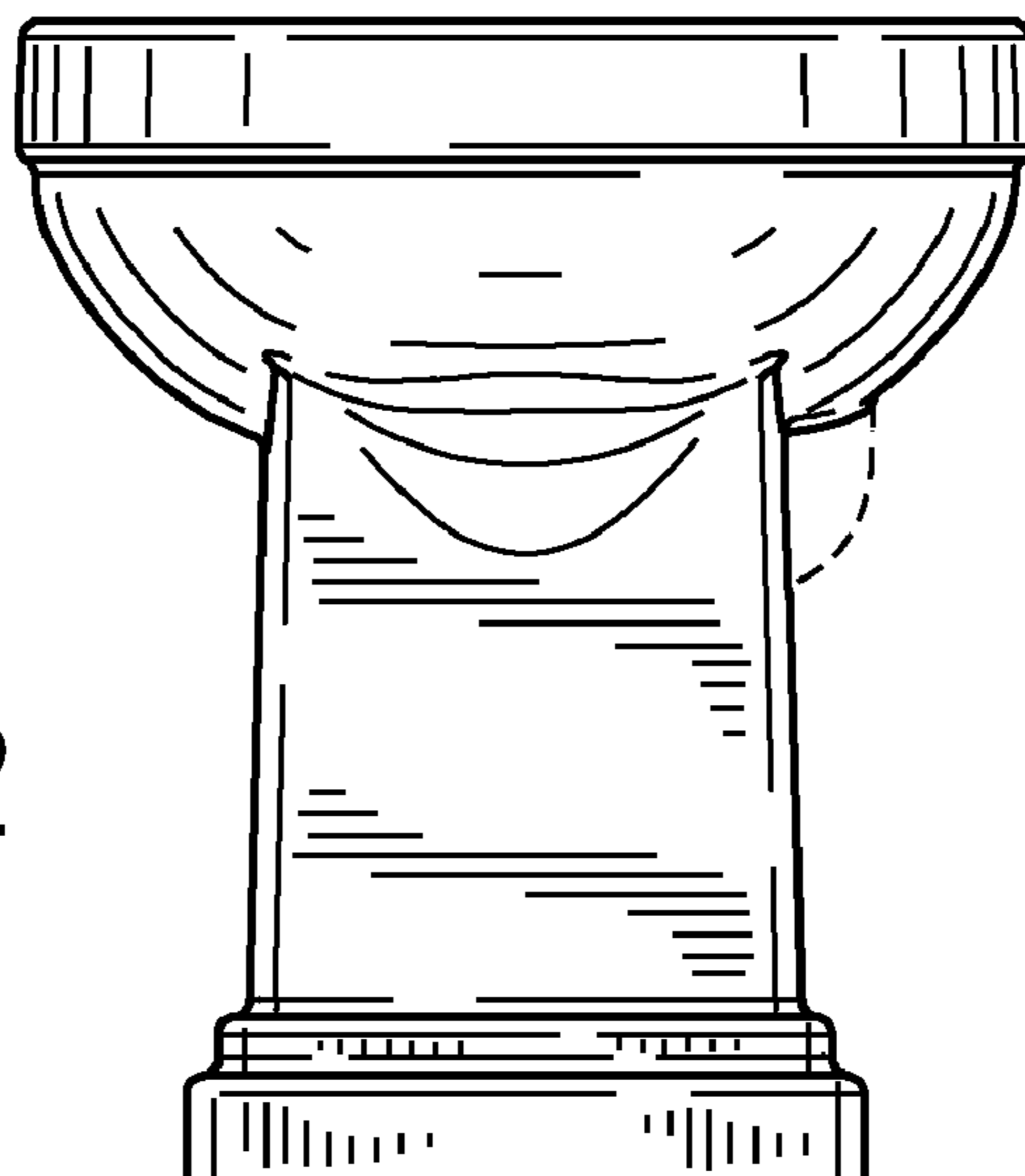


FIG. 2

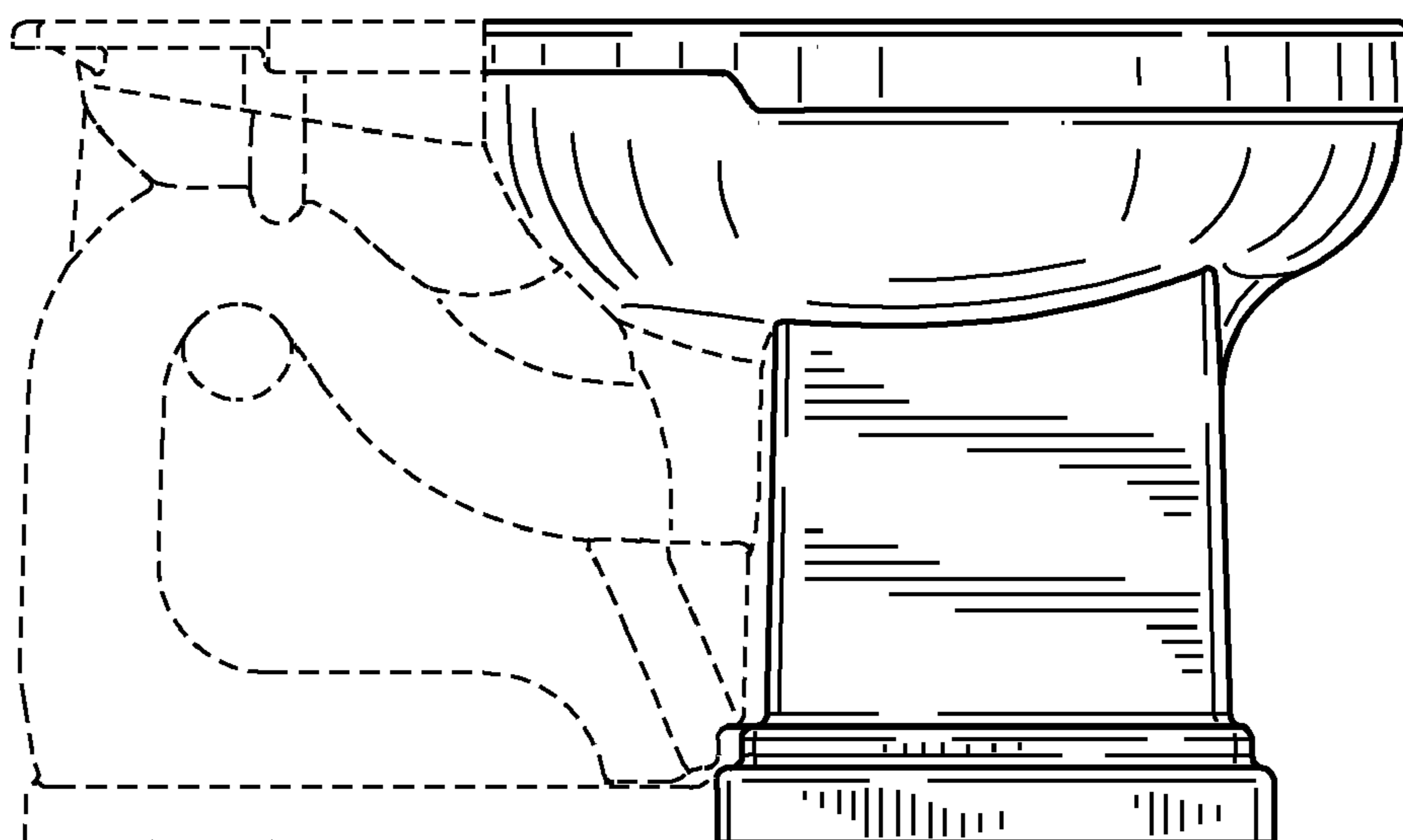


FIG. 3

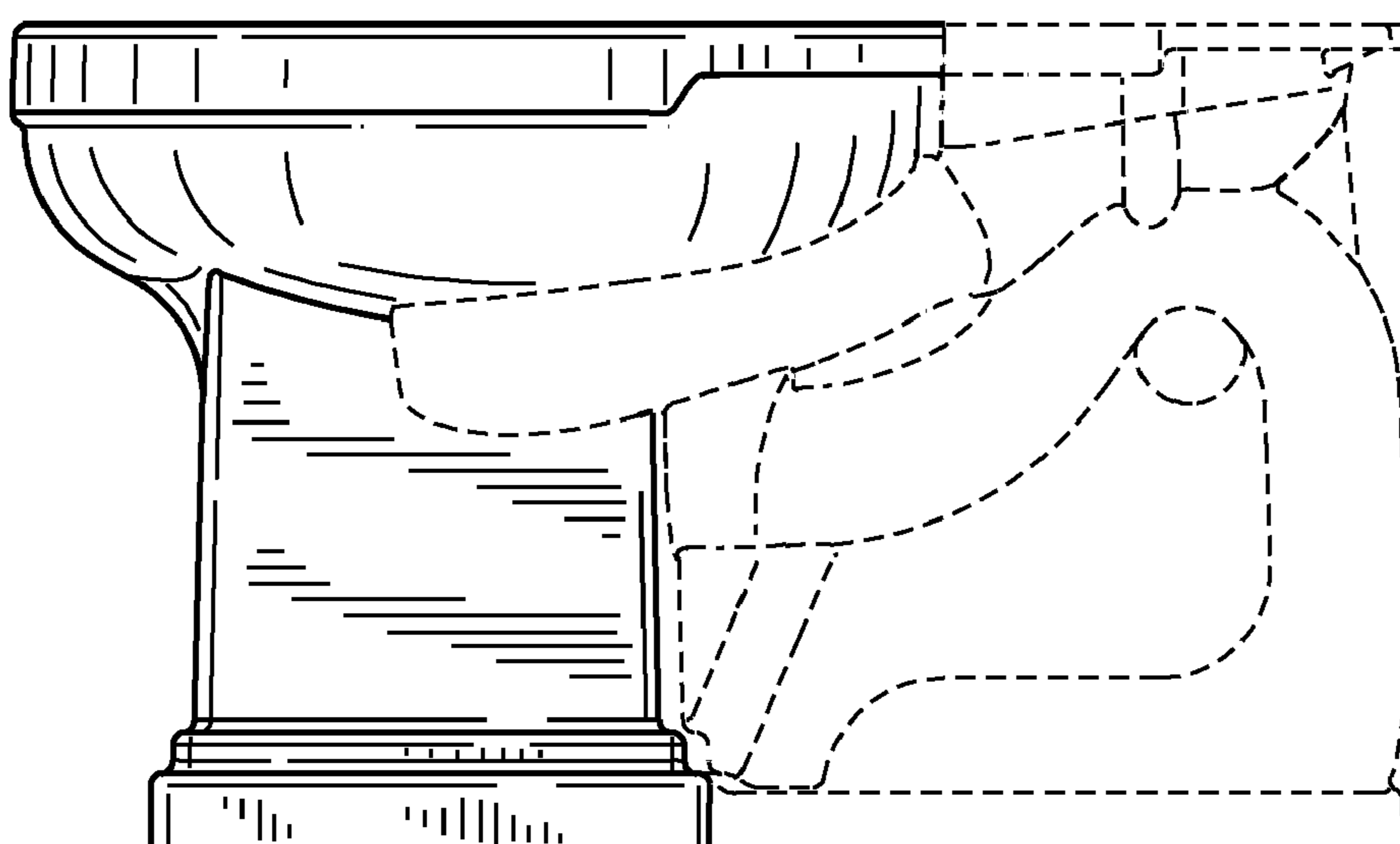


FIG. 4

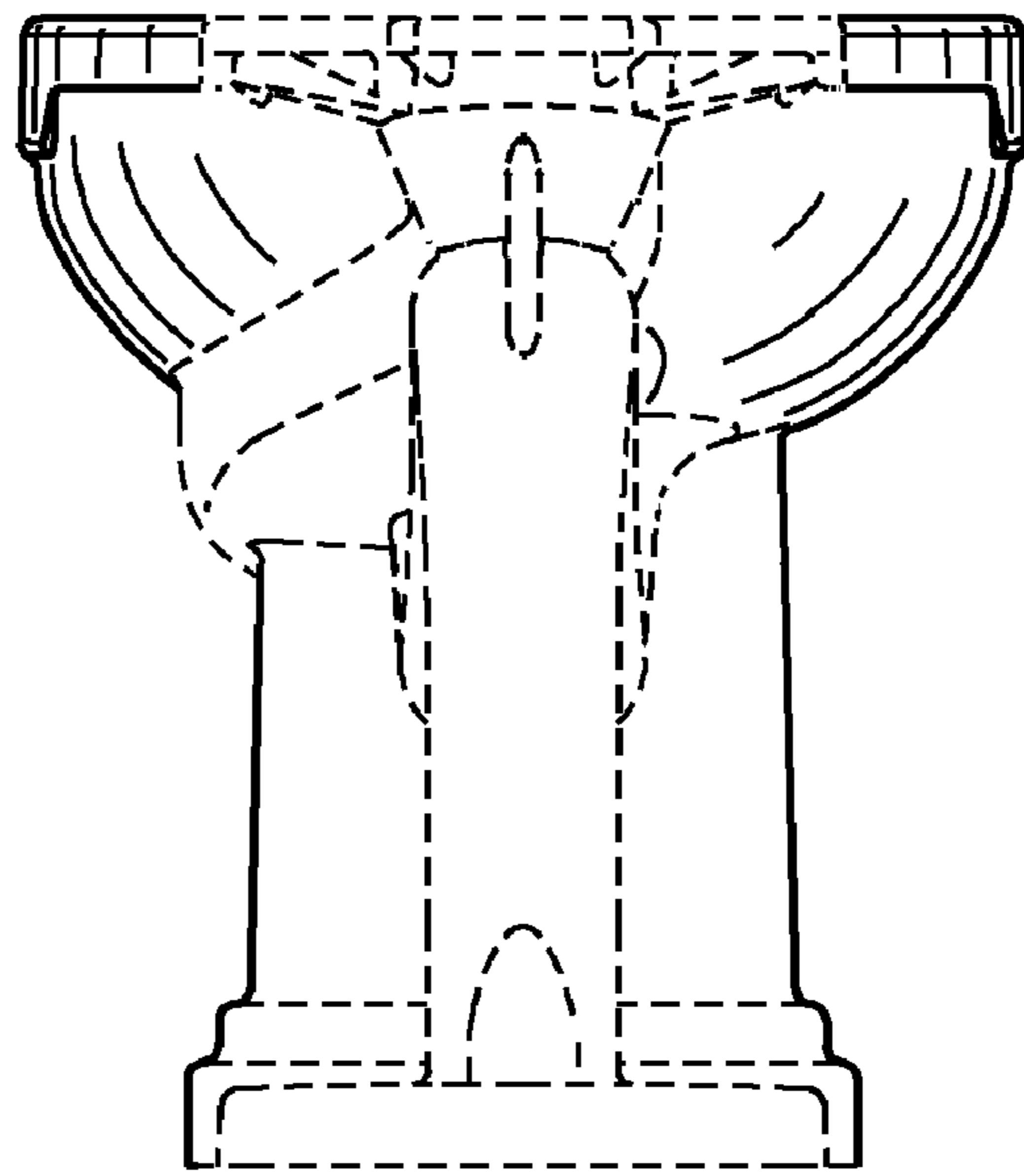


FIG. 5

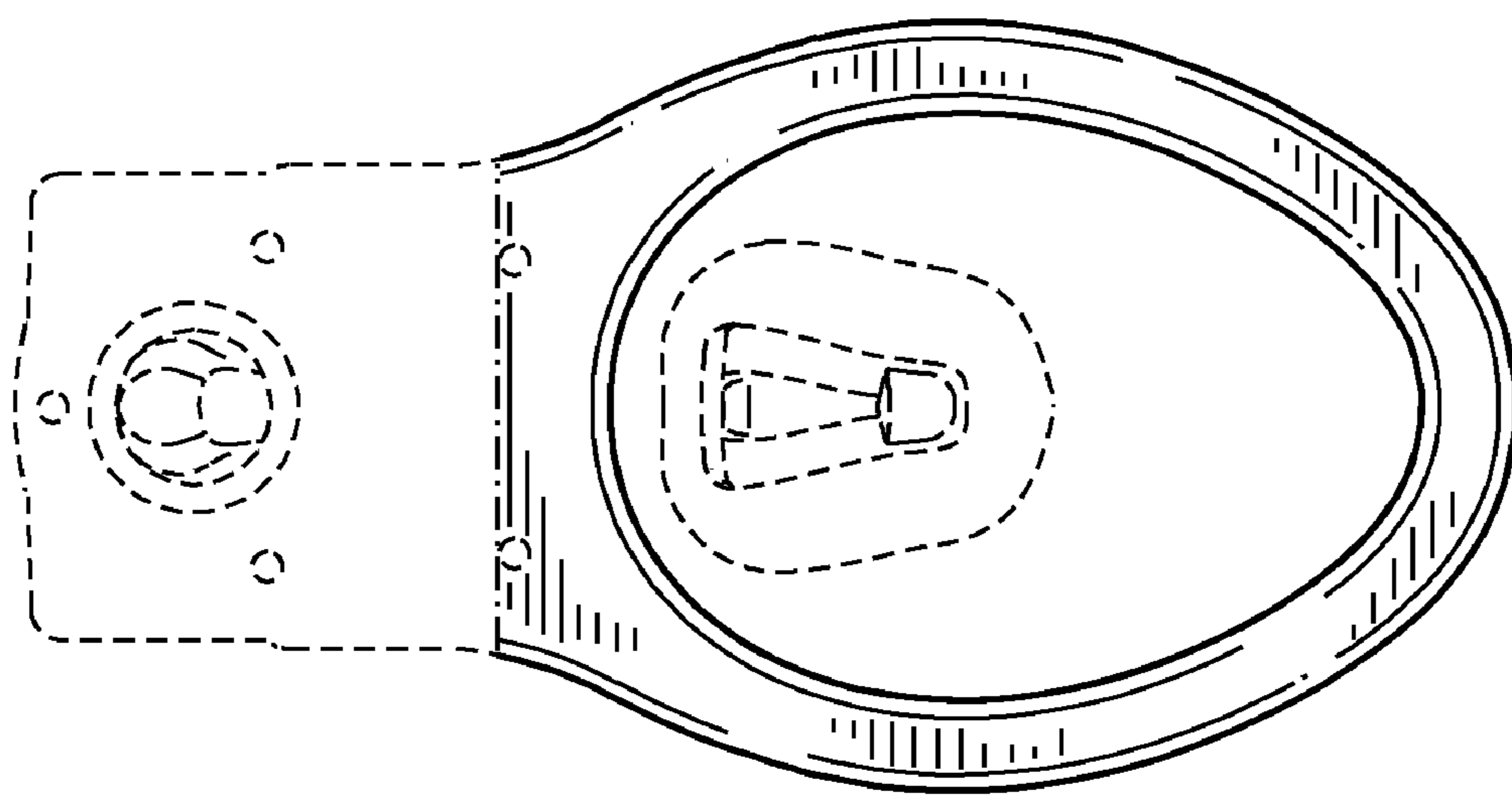


FIG. 6

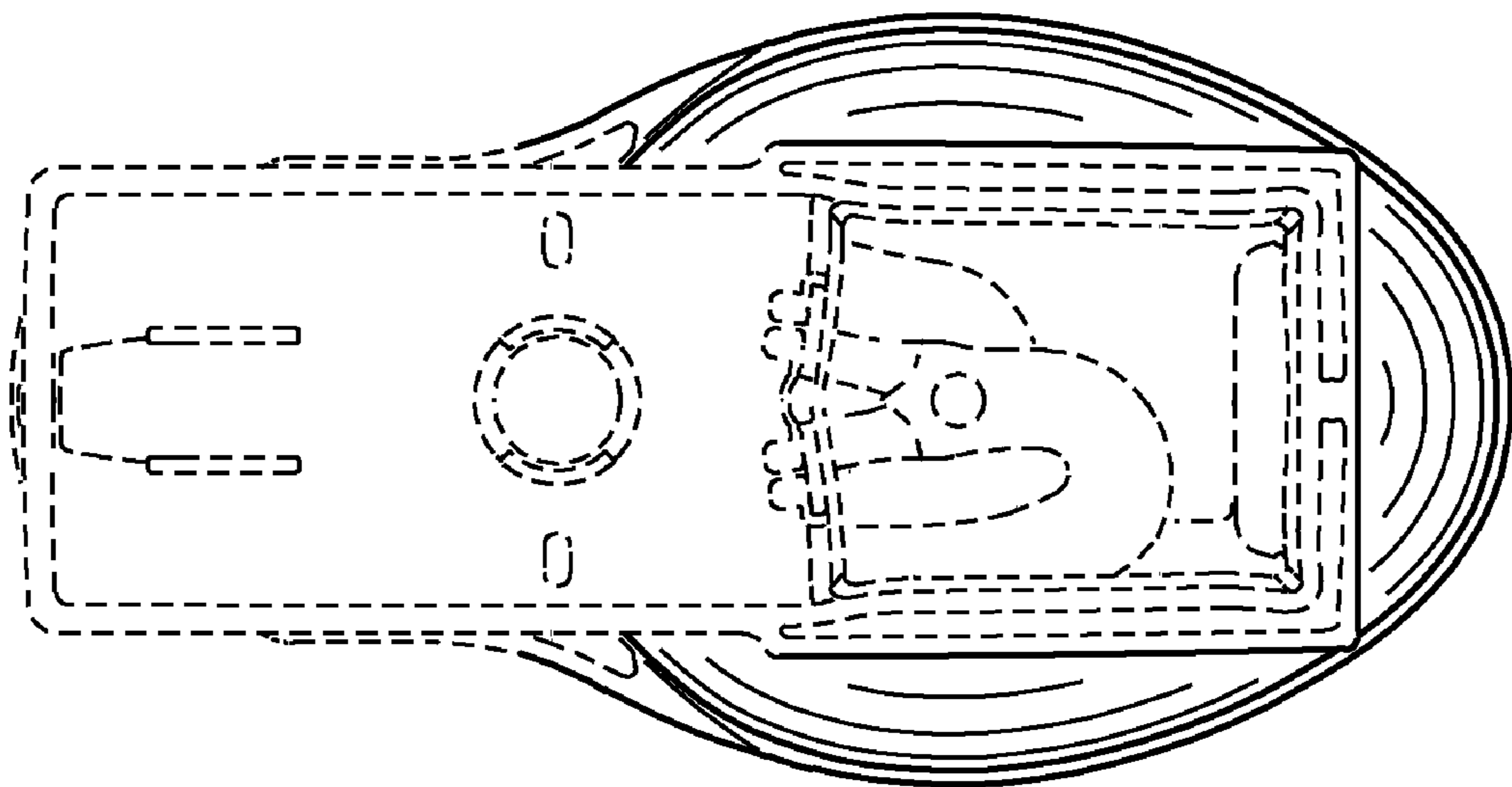


FIG. 7