



US00D670366S

(12) **United States Design Patent**
Booth et al.

(10) **Patent No.:** **US D670,366 S**
(45) **Date of Patent:** **** Nov. 6, 2012**

- (54) **SINK**
- (75) Inventors: **Shawn J. Booth**, Sheboygan, WI (US);
Herbert V. Kohler, Jr., Kohler, WI (US)
- (73) Assignee: **Kohler Co.**, Kohler, WI (US)
- (**) Term: **14 Years**
- (21) Appl. No.: **29/424,446**
- (22) Filed: **Jun. 12, 2012**

Related U.S. Application Data

- (62) Division of application No. 29/409,937, filed on Dec. 30, 2011, now Pat. No. Des. 662,574, which is a division of application No. 29/386,020, filed on Feb. 23, 2011, now Pat. No. Des. 651,699.
- (51) **LOC (9) Cl.** **23-02**
- (52) **U.S. Cl.** **D23/308**
- (58) **Field of Classification Search** D23/272–274,
D23/284, 286–287, 290, 293.1, 303, 308;
4/619, 639, 642
See application file for complete search history.

References Cited

U.S. PATENT DOCUMENTS

D184,799 S	4/1959	Clemens
D353,652 S	12/1994	Dannenberg
D358,457 S	5/1995	Dannenberg
D451,585 S	12/2001	Svendsen et al.
D473,294 S	4/2003	Genslak et al.
D492,983 S	7/2004	Rachiele
D494,665 S	8/2004	Herbeau
D501,541 S	2/2005	Gordon
D508,984 S	8/2005	Gordon
D556,297 S	11/2007	Baade et al.
D651,699 S	1/2012	Booth et al.

OTHER PUBLICATIONS

Songbath.com. Apron Front Kitchen Sink. Songbath.com online catalog.

Instwares.com. GSW Stainless Steel Corner Drain Sink Bowl—18×24in. Instawres.com online catalog.
 Belle Foret. “Apron Front Kitchen Sink”. Model No. BFF1KIT. BelleForet.com online catalog. All Contents Copyright, Your 'Other Warehouse.
 Kohler Co. “Dickinson Apron-Front, Tile-in Kitchen Sink”. Model No. K-6546-3. Kohler Co. online catalog. Copyright 2011 Kohler Co.
 Kohler Co. “Dickinson Apron-Front, Tile-in Kitchen Sink”. Model No. K-6546-4. Kohler Co. online catalog. Copyright 2011 Kohler Co.
 Kohler Co. “Dickinson Apron-Front, Tile-in Kitchen Sink”. Model No. K-6546-4U. Kohler Co. online catalog. Copyright 2011 Kohler Co.
 Kohler Co. “Hawthorne Apron-Front, Tile-in Kitchen Sink”. Model No. K-6534-3. Kohler Co. online catalog. Copyright Kohler Co.
 Kohler Co. “Hawthorne Apron-Front, Tile-in Kitchen Sink”. Model No. K-6534-4. Kohler Co. online catalog. Copyright 2011 Kohler Co.
 Kohler Co. “Hawthorne Apron-Front, Tile-in Kitchen Sink”. Model No. K-6534-4U. Kohler Co. online catalog. Copyright 2011 Kohler Co.

(Continued)

Primary Examiner — Robert Delehanty
(74) *Attorney, Agent, or Firm* — Foley & Lardner LLP

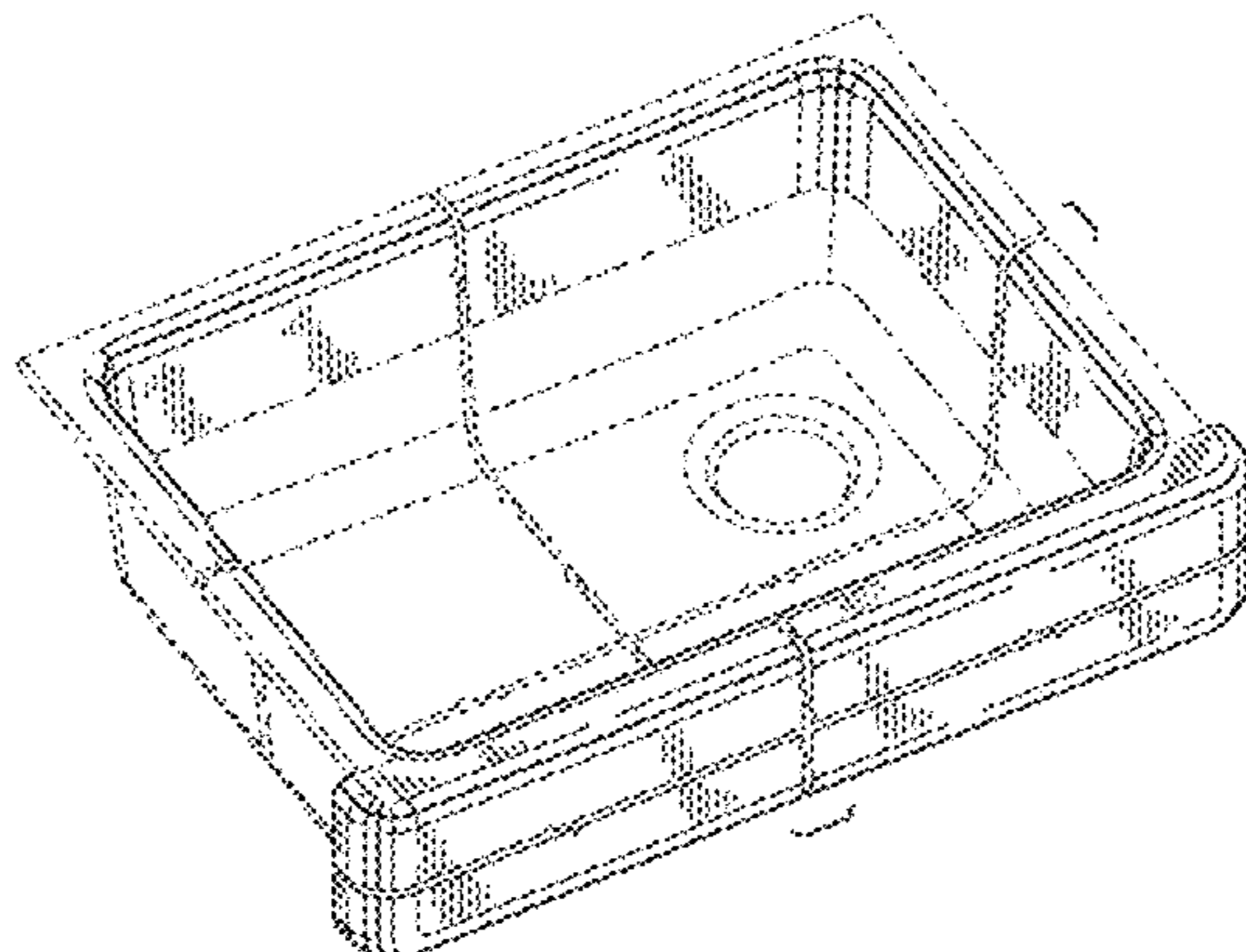
(57) **CLAIM**

We claim the ornamental design for a sink, as shown and described.

DESCRIPTION

FIG. 1 is a top, left, front perspective view of a sink embodying our new design;
 FIG. 2 is a top, right, rear perspective view thereof;
 FIG. 3 is a top plan view thereof;
 FIG. 4 is a front elevational view thereof;
 FIG. 5 is a left side elevational view thereof;
 FIG. 6 is a right side elevational view thereof;
 FIG. 7 is a rear elevational view thereof; and,
 FIG. 8 is a bottom plan view thereof.
 The ornamental design which is claimed is shown in solid lines in the drawings. The broken lines in the drawings are for illustrative purposes only and form no part of the claimed design.

1 Claim, 7 Drawing Sheets



OTHER PUBLICATIONS

Lyons. "Premium 34x23 Apron Sink". Model No. KSxxAP3.4.
Lyons brochure.

Kallista. "For Loft by Michael S. Smith Fireclay Kitchen Sink with
Drainboard." Model No. L20300. Kallista.com online catalog. Copy-
right 2011 Kohler Co.

Kallista. "For Loft by Michael S. Smith Fireclay Kitchen Sink."

Model No. L20301. Kallista.com online catalog. Copyright 2011
Kohler Co.

Kallista. "For Town by Michael S. Smith Fireclay Kitchen Sink."
Model No. L20303. Kallista.com online catalog. Copyright 2011
Kohler Co.

Rohl. Apron Front Sink.

Shaws Original. Apron Snk.

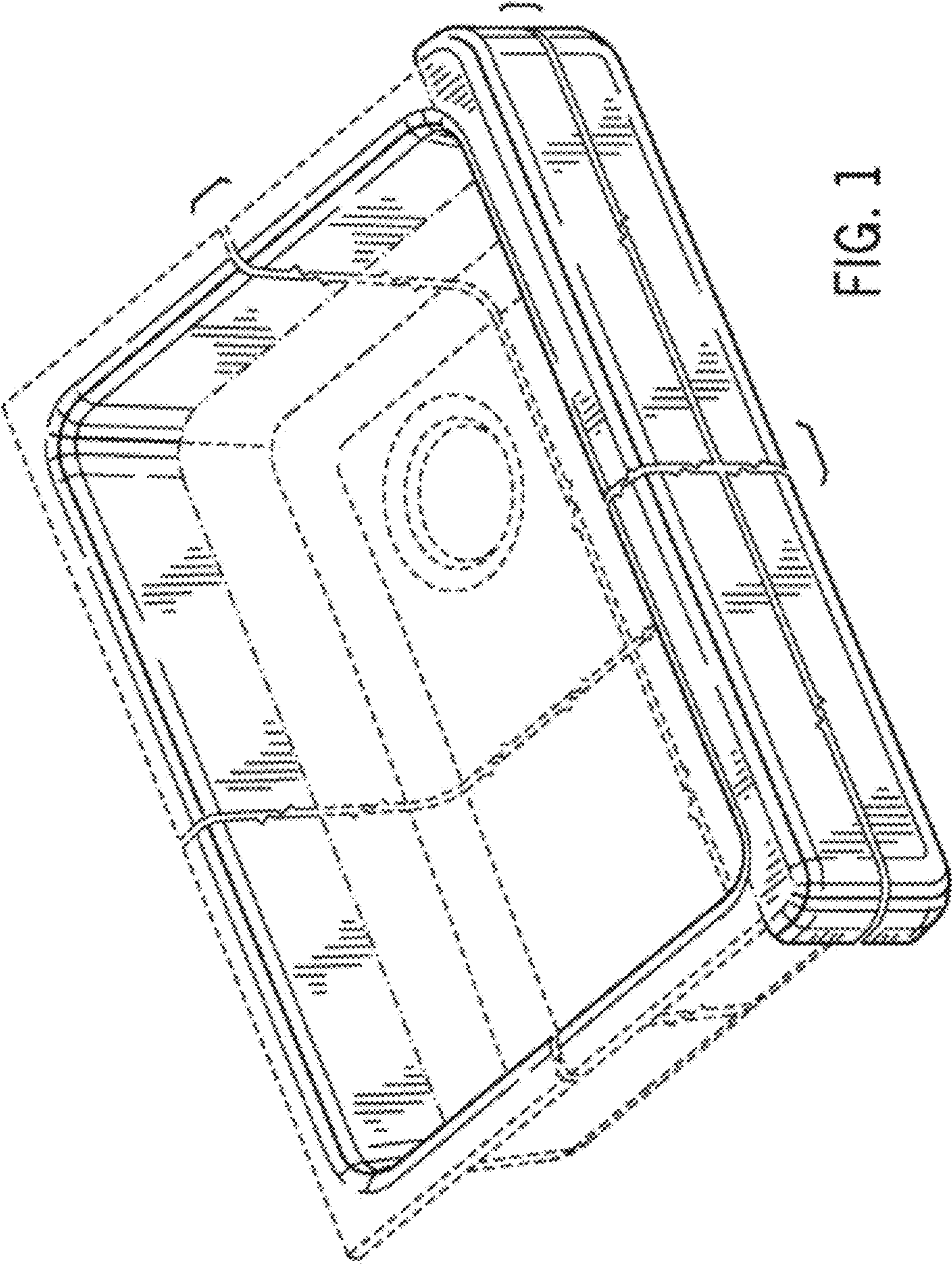


FIG. 1

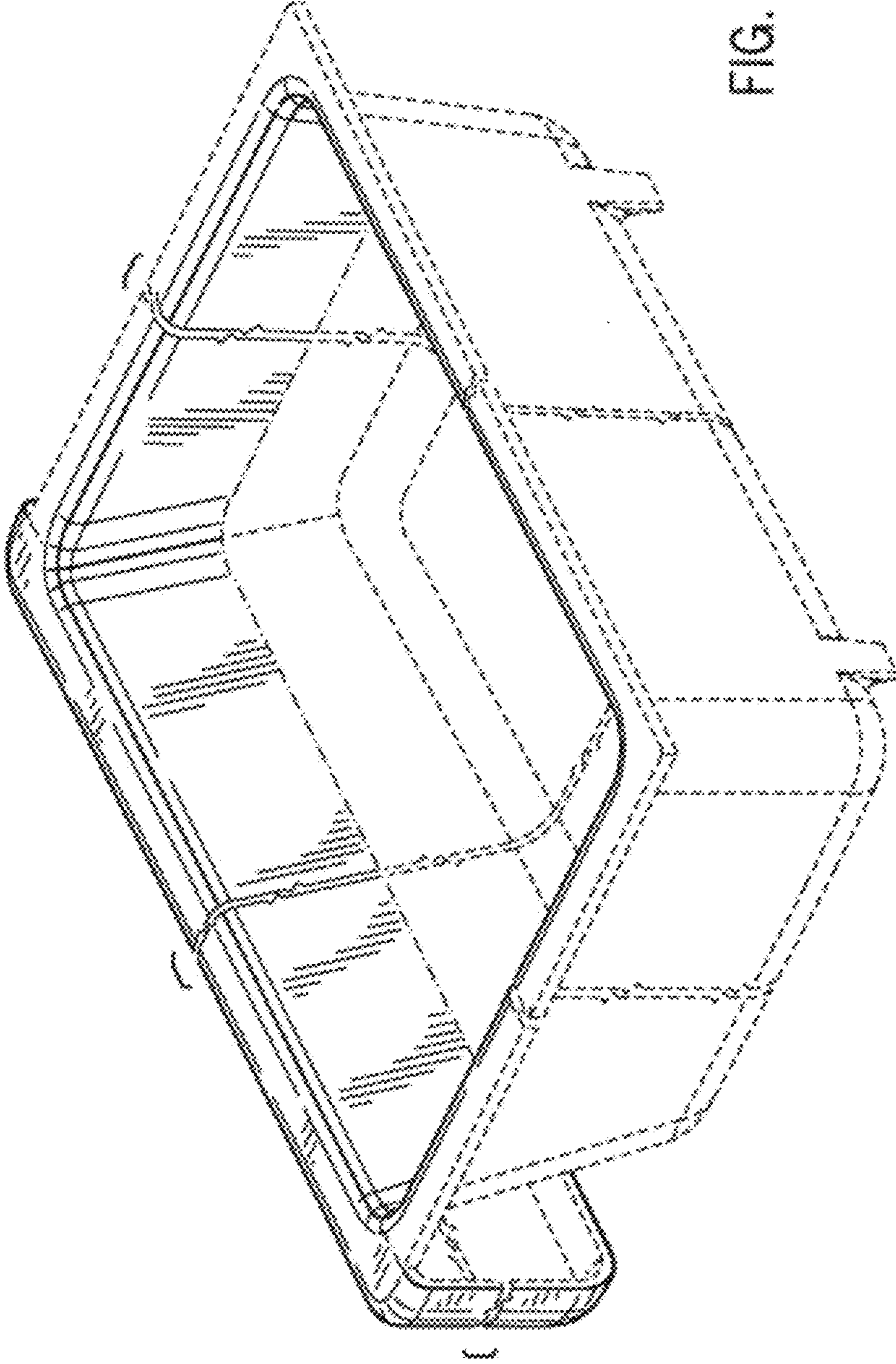


FIG. 2

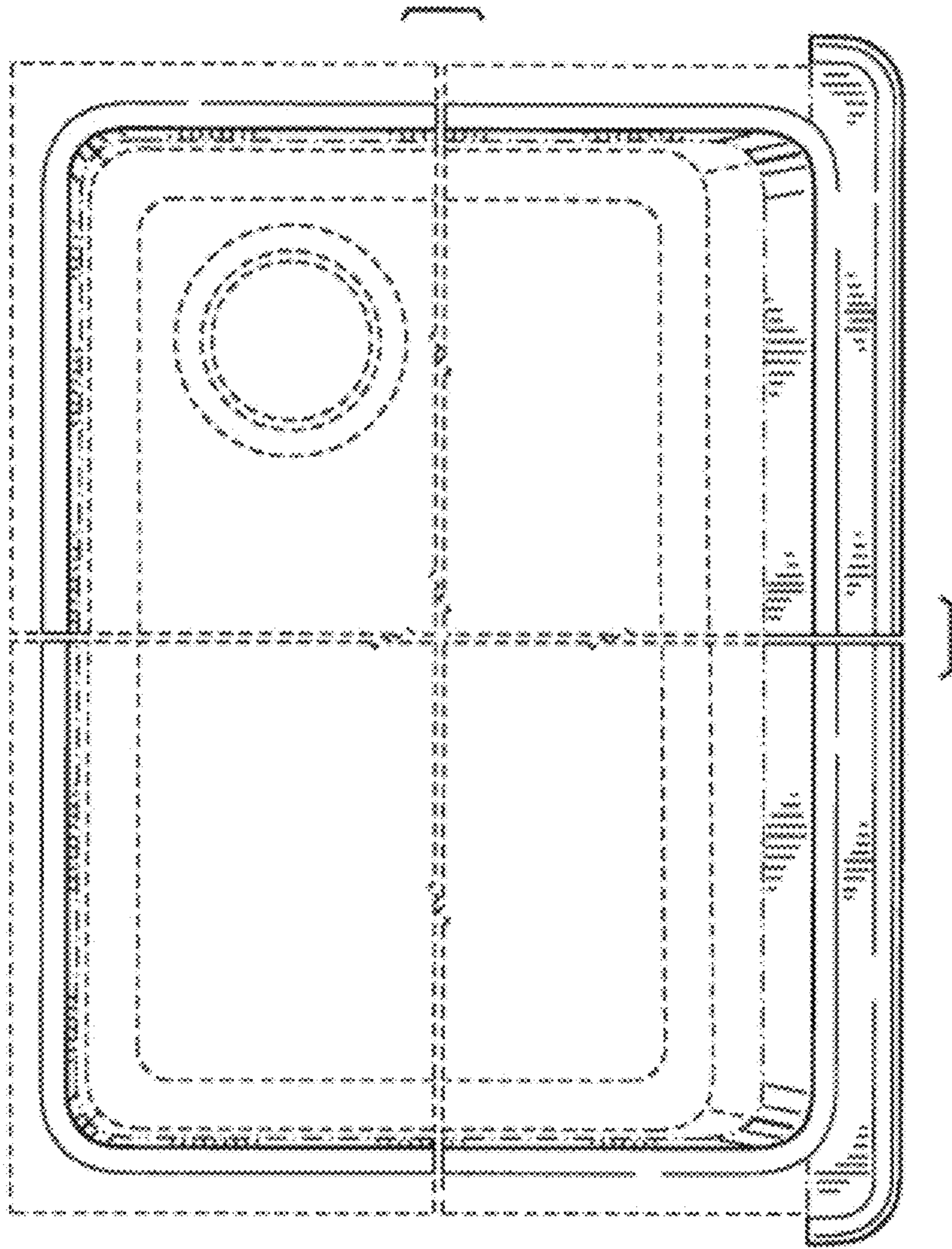


FIG. 3

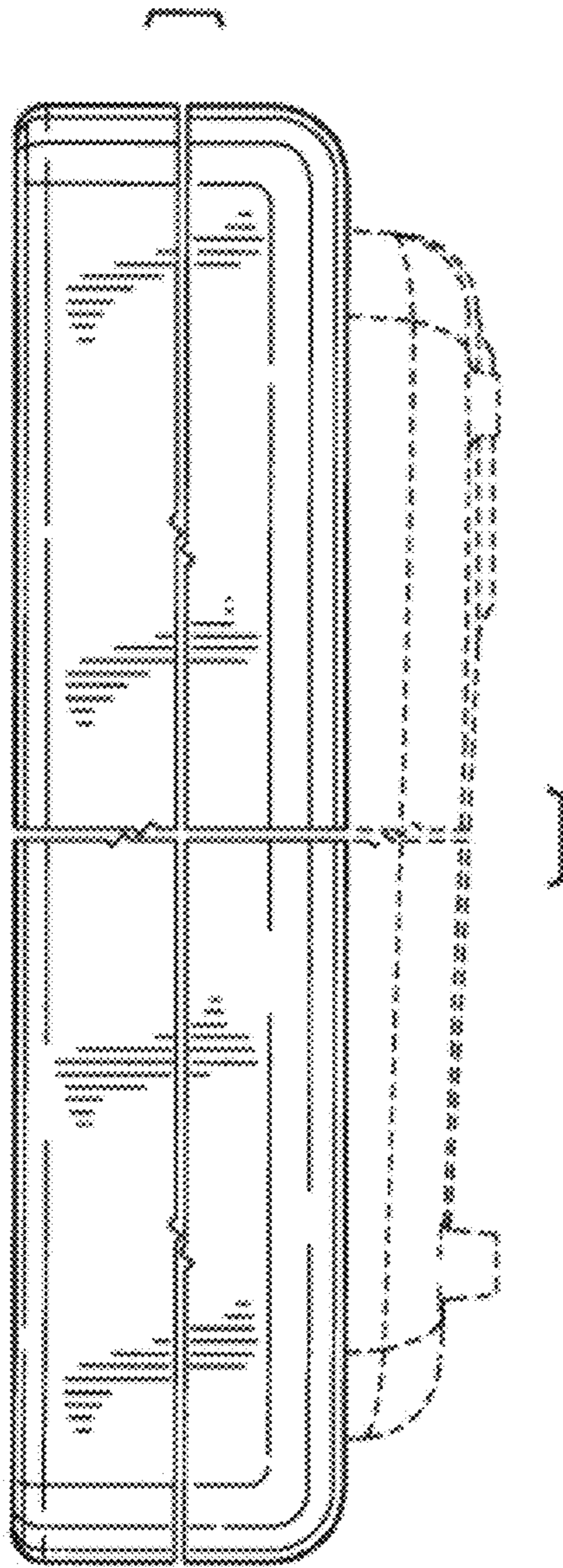


FIG. 4

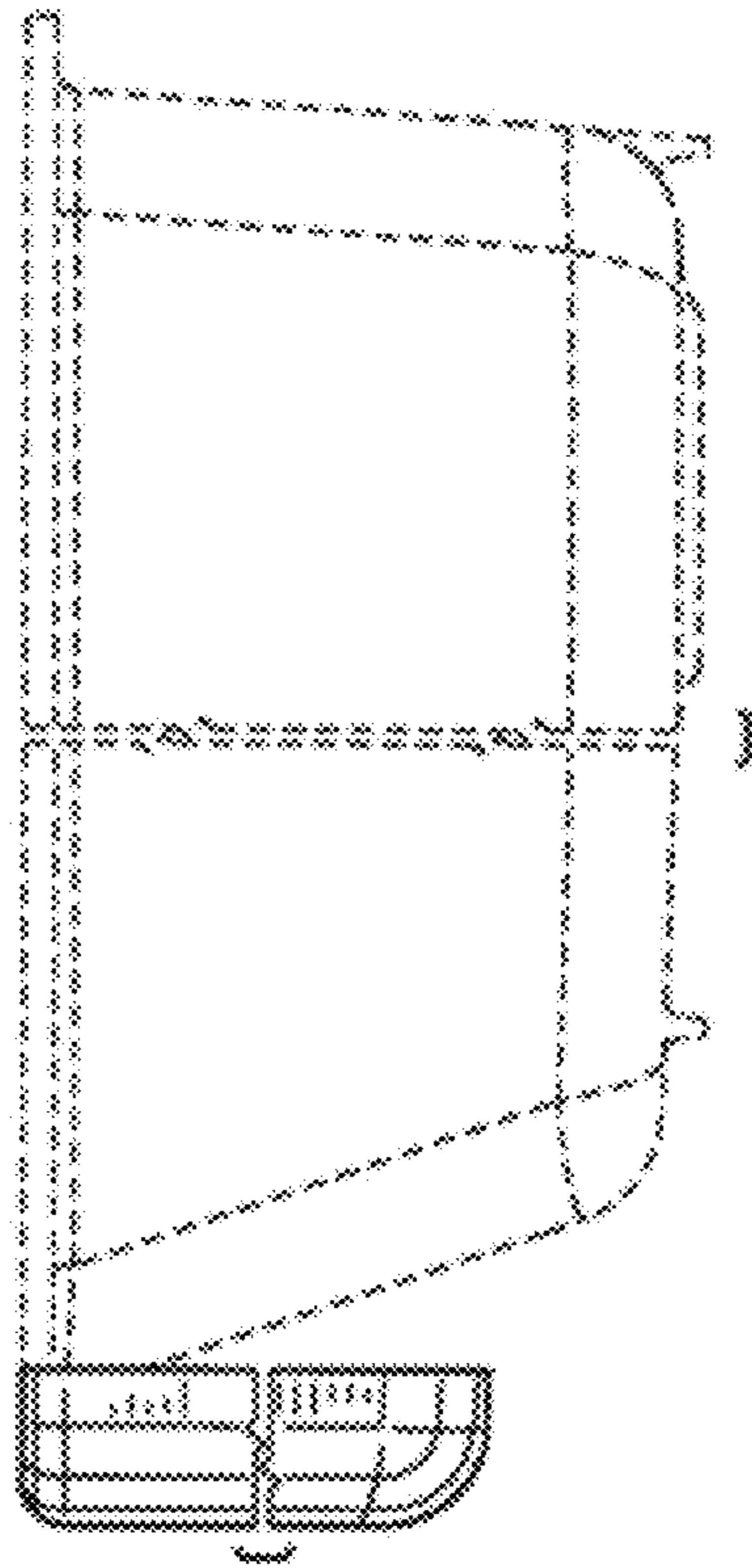


FIG. 6

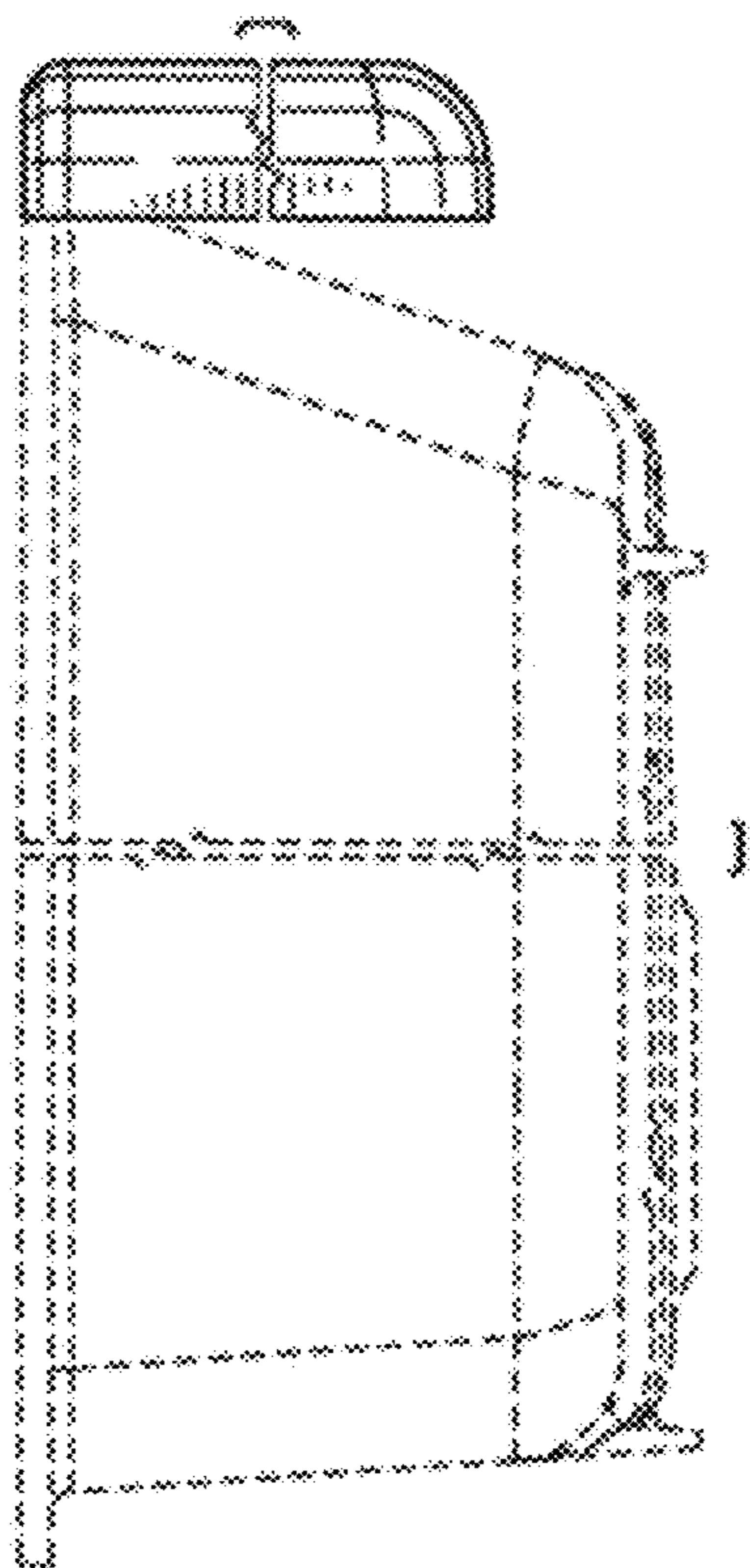


FIG. 5

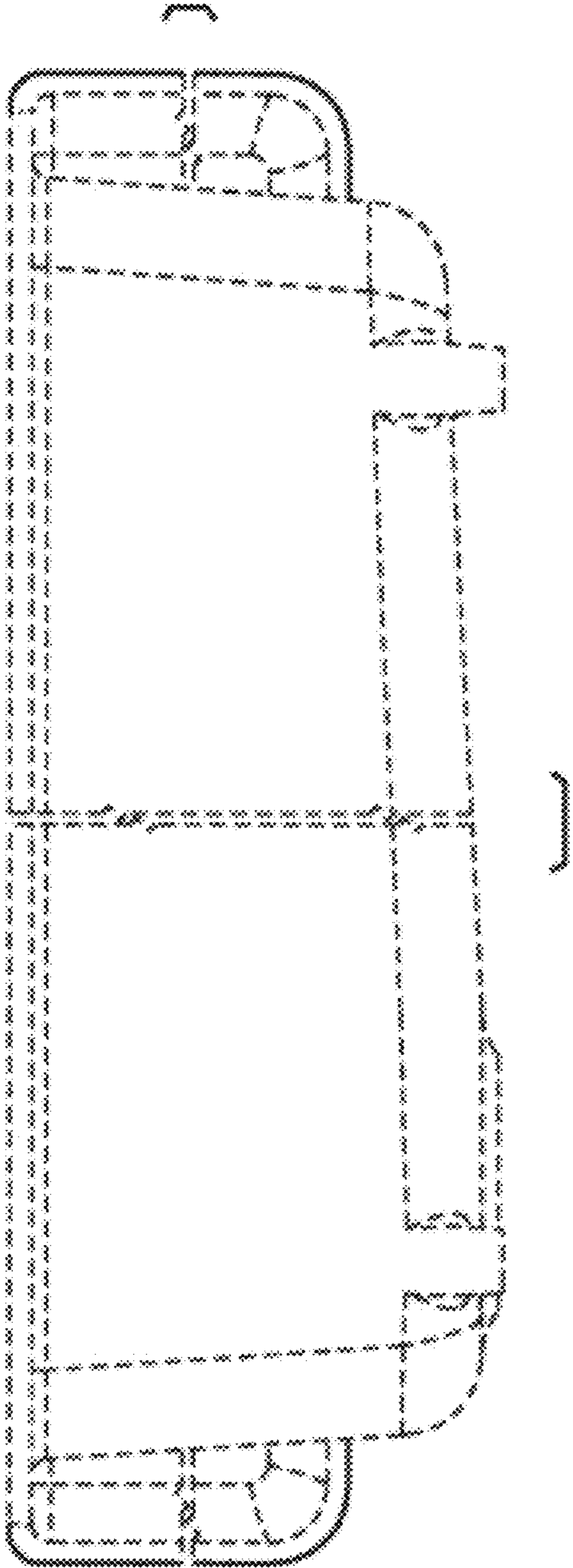


FIG. 7

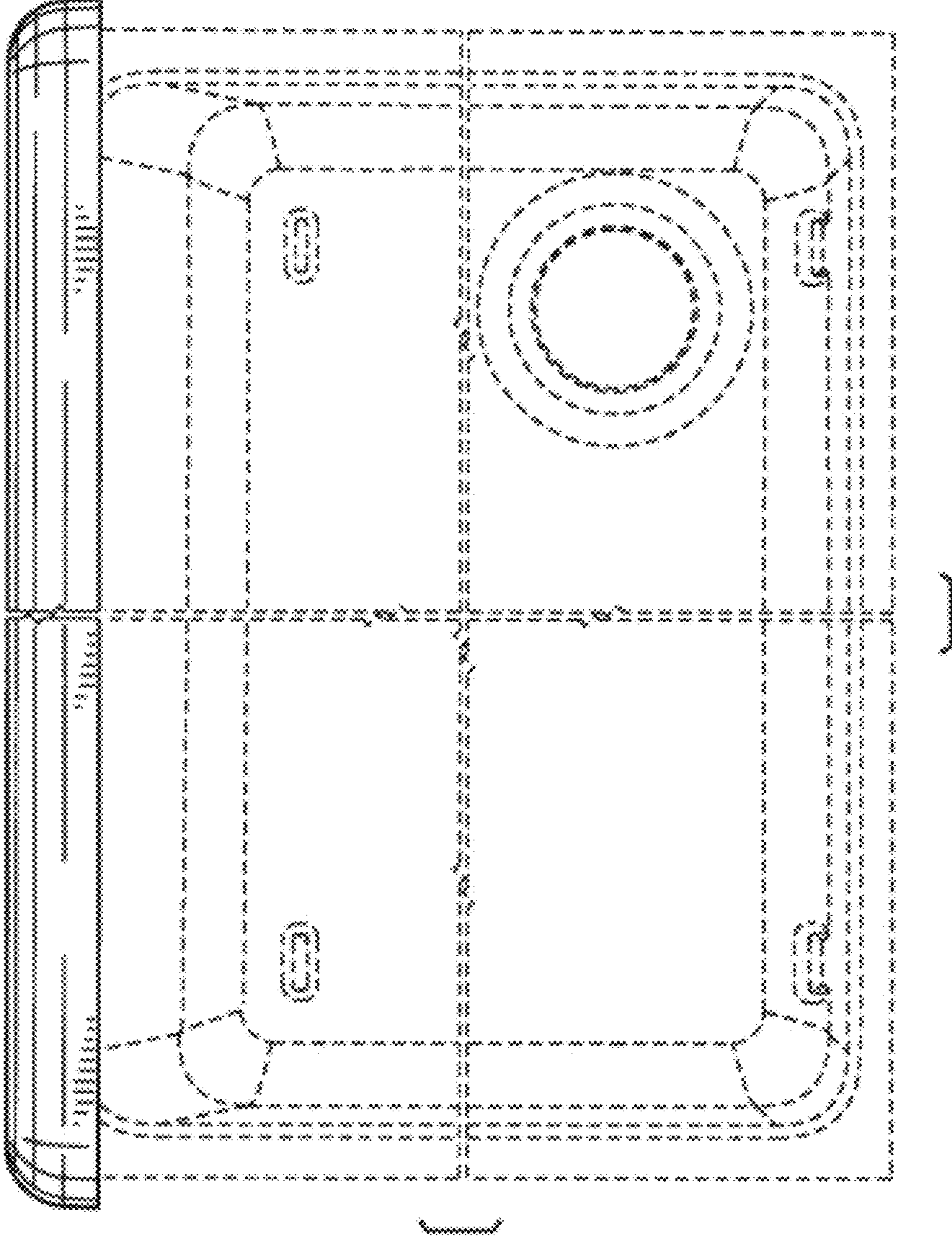


FIG. 8