



US00D670361S

(12) **United States Design Patent**
Georgeson et al.

(10) **Patent No.:** **US D670,361 S**
(45) **Date of Patent:** **** Nov. 6, 2012**

(54) **FAUCET**

(75) Inventors: **Paul B. Georgeson**, Sheyboygan, WI (US); **Herbert V. Kohler, Jr.**, Kohler, WI (US)

(73) Assignee: **Kohler Co.**, Kohler, WI (US)

(**) Term: **14 Years**

(21) Appl. No.: **29/419,750**

(22) Filed: **May 1, 2012**

Related U.S. Application Data

(62) Division of application No. 29/390,476, filed on Apr. 25, 2011, now Pat. No. Des. 660,943.

(51) **LOC (9) Cl.** **23-01**

(52) **U.S. Cl.** **D23/255**

(58) **Field of Classification Search** D23/250,
D23/252, 254, 238, 255, 257; 4/675-678;
138/801

See application file for complete search history.

(56) **References Cited**

U.S. PATENT DOCUMENTS

D523,937 S	6/2006	Schaffeld et al.
D567,912 S	4/2008	Juratovac et al.
D580,023 S	11/2008	Gilbert
D605,258 S	12/2009	Rubin et al.
D645,121 S	9/2011	Fritz
D645,122 S	9/2011	Fritz

OTHER PUBLICATIONS

Notice of Allowance on U.S. Appl. No. 29/390,476, mail date Jan. 31, 2012, 5 pages.

Restriction Requirement on U.S. Appl. No. 29/390,476, mail date Dec. 29, 2011, 8 pages.

Primary Examiner — Robert Delehanty

(74) *Attorney, Agent, or Firm* — Foley & Lardner LLP

(57) **CLAIM**

We claim the ornamental design for a faucet, as shown and described.

DESCRIPTION

FIG. 1 is a top perspective view of an embodiment of the claimed design;

FIG. 2 is a right-side elevation view of the claimed design of FIG. 1;

FIG. 3 is a left-side elevation view of the claimed design of FIG. 1;

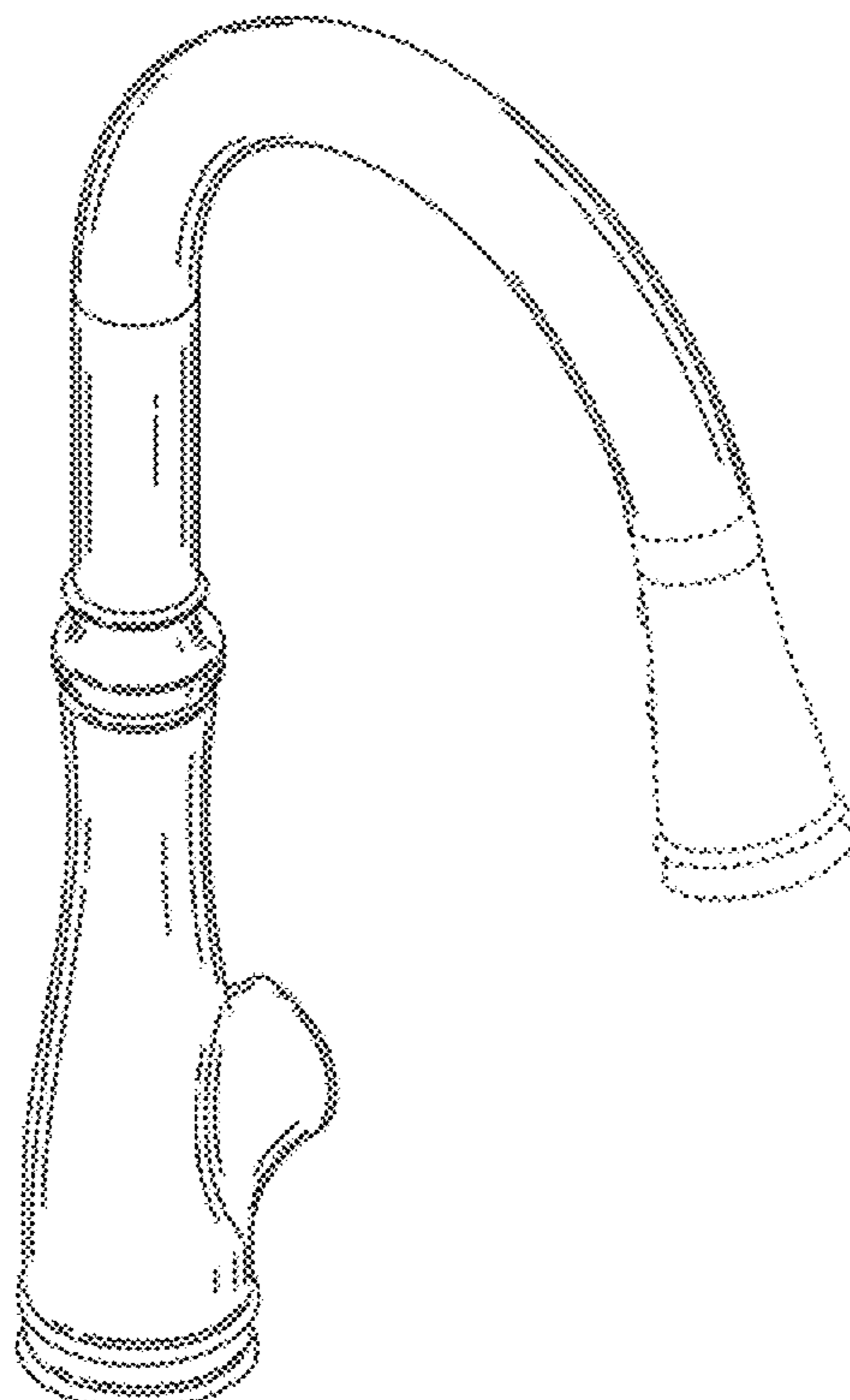
FIG. 4 is a front elevation view of the claimed design of FIG. 1;

FIG. 5 is a rear elevation view of the claimed design of FIG. 1;

FIG. 6 is a top plan view of the claimed design of FIG. 1; and, FIG. 7 is a bottom plan view of the claimed design of FIG. 1.

The ornamental design which is claimed is shown in solid lines in the drawings. The broken lines in the drawings are for illustrative purposes only and form no part of the claimed design.

1 Claim, 7 Drawing Sheets



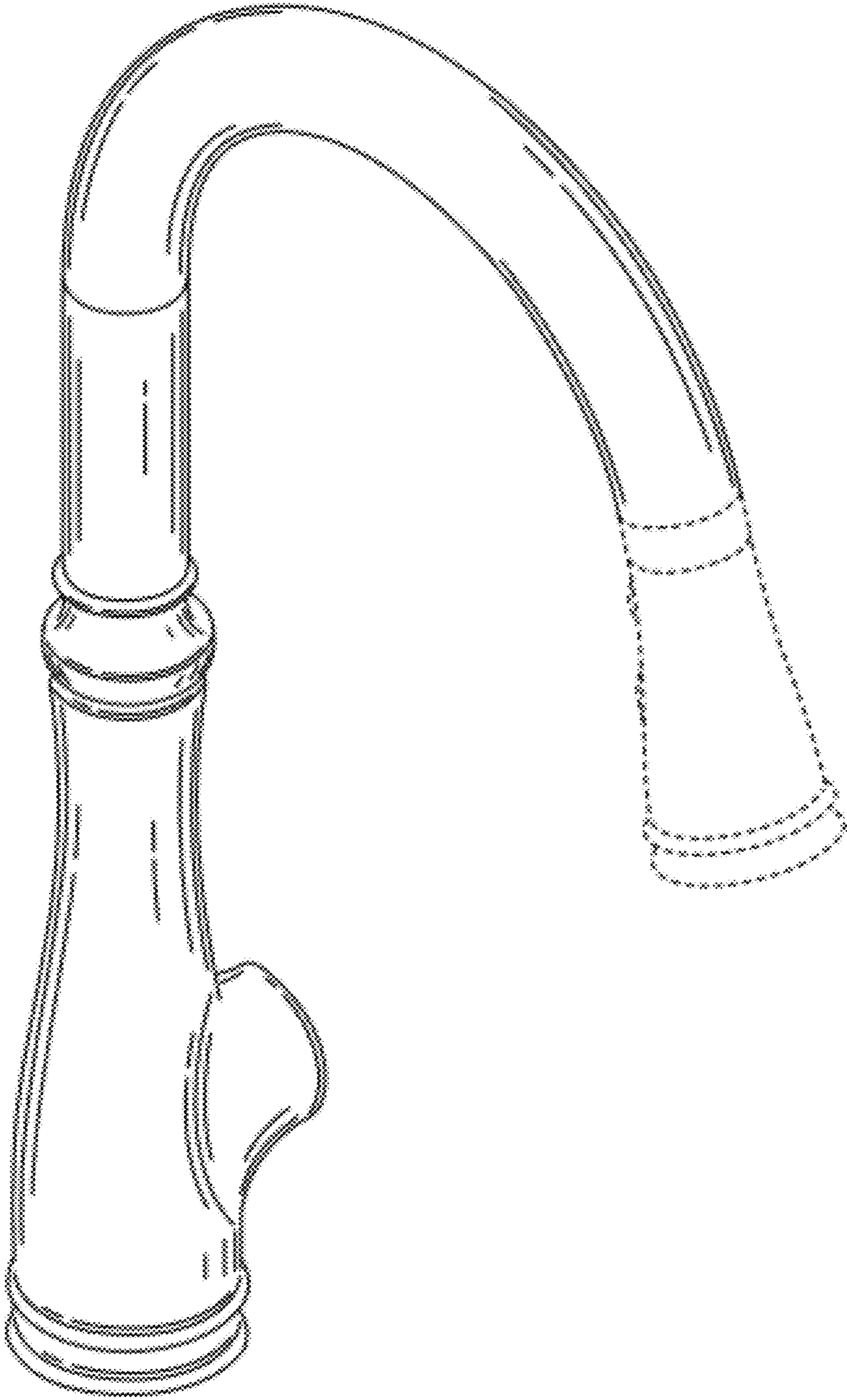


FIG. 1

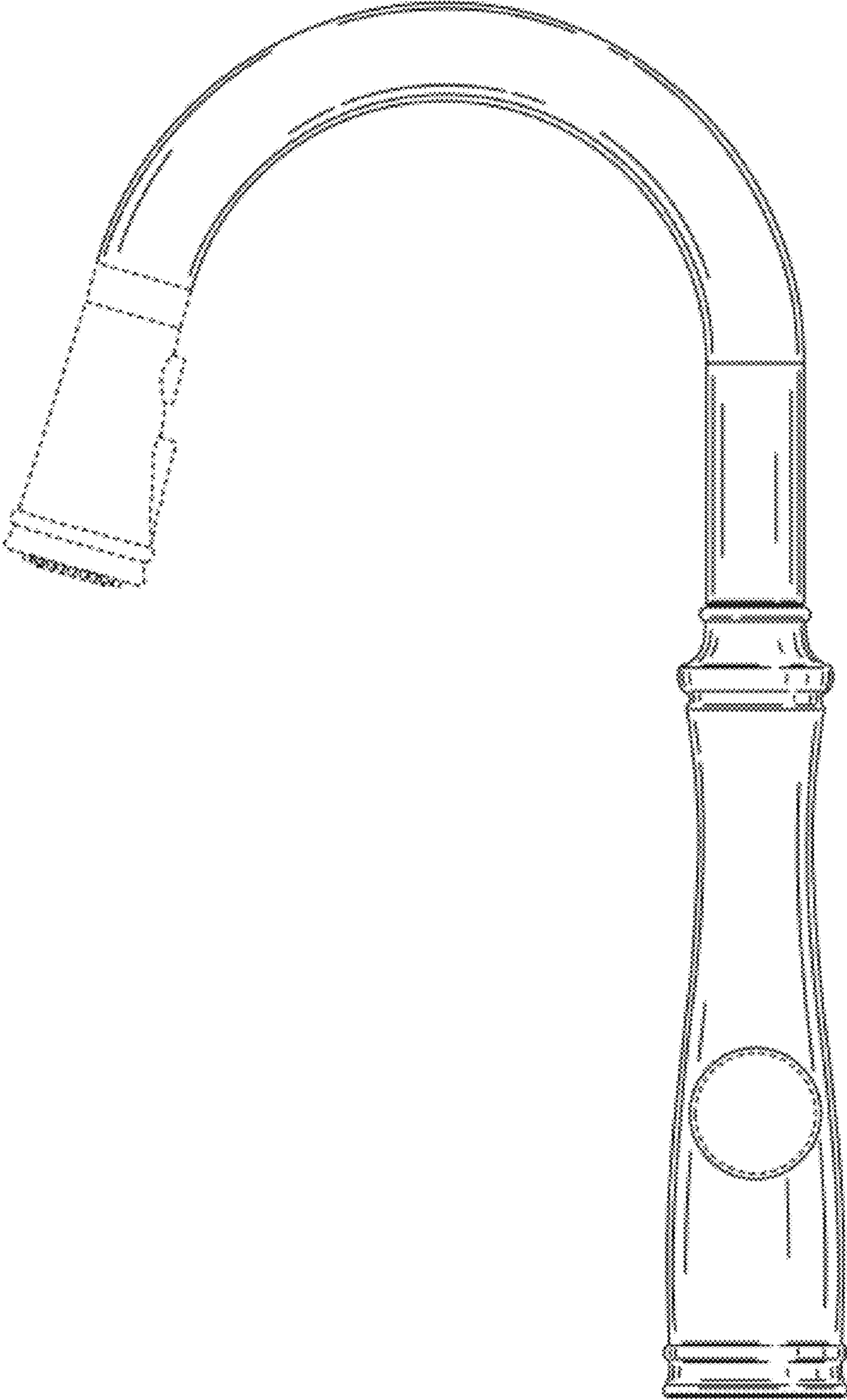


FIG. 2

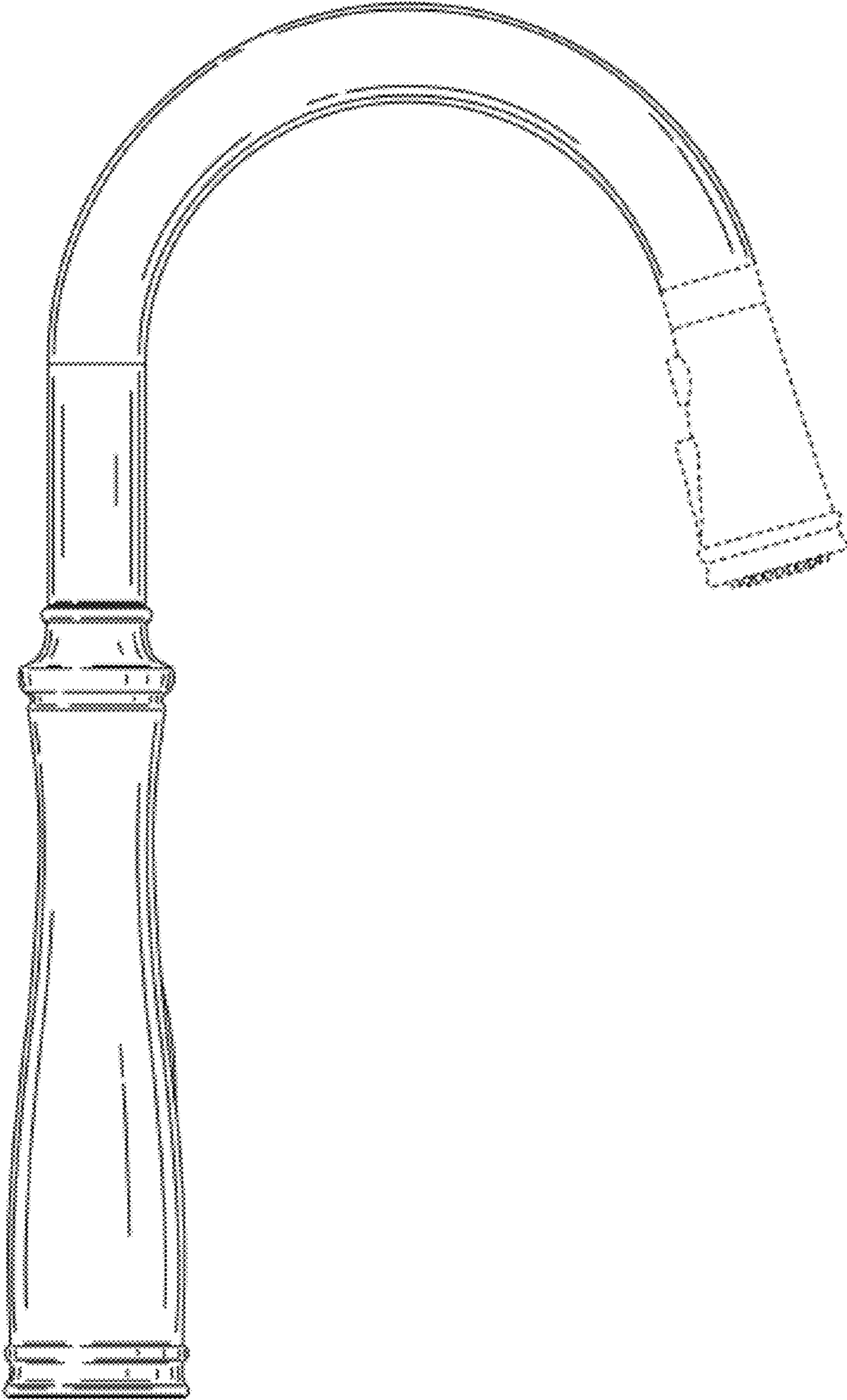


FIG. 3

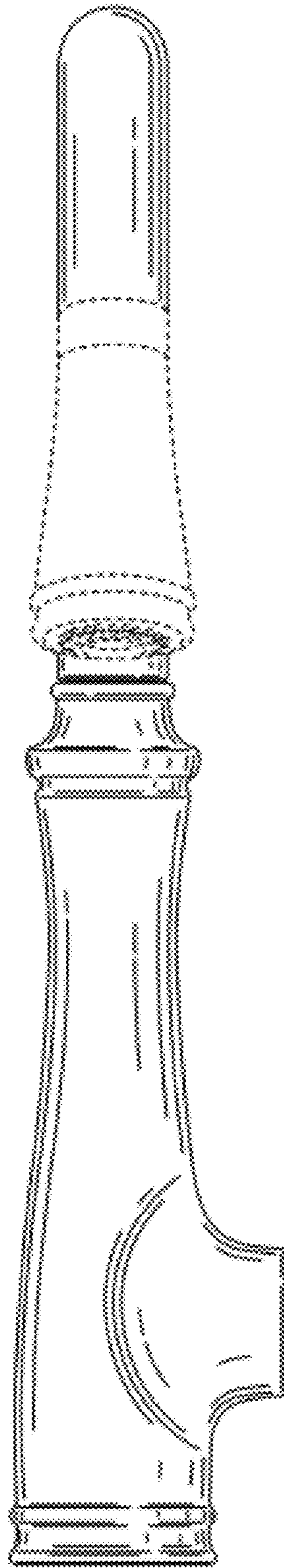


FIG. 4

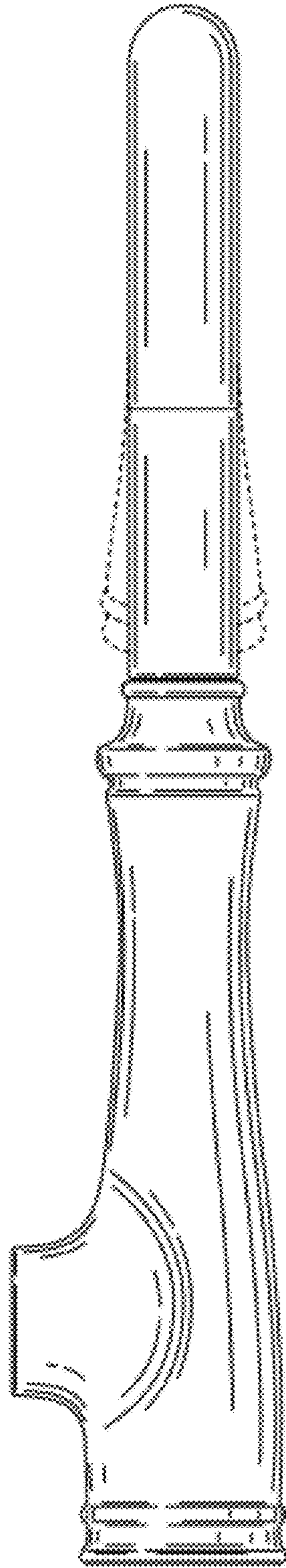


FIG. 5

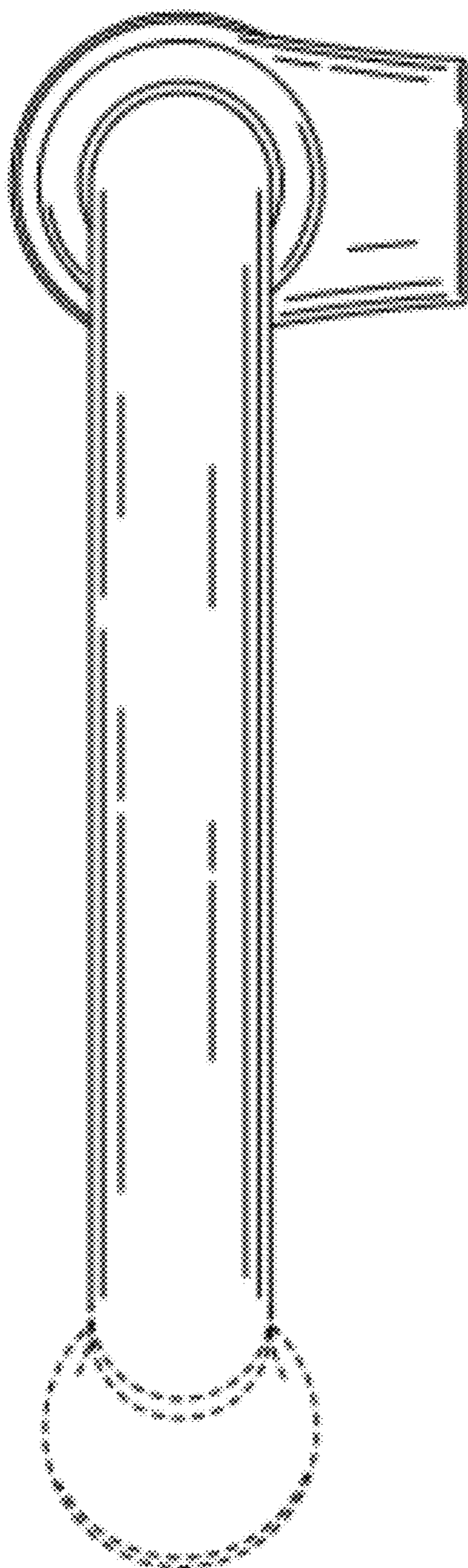


FIG. 6

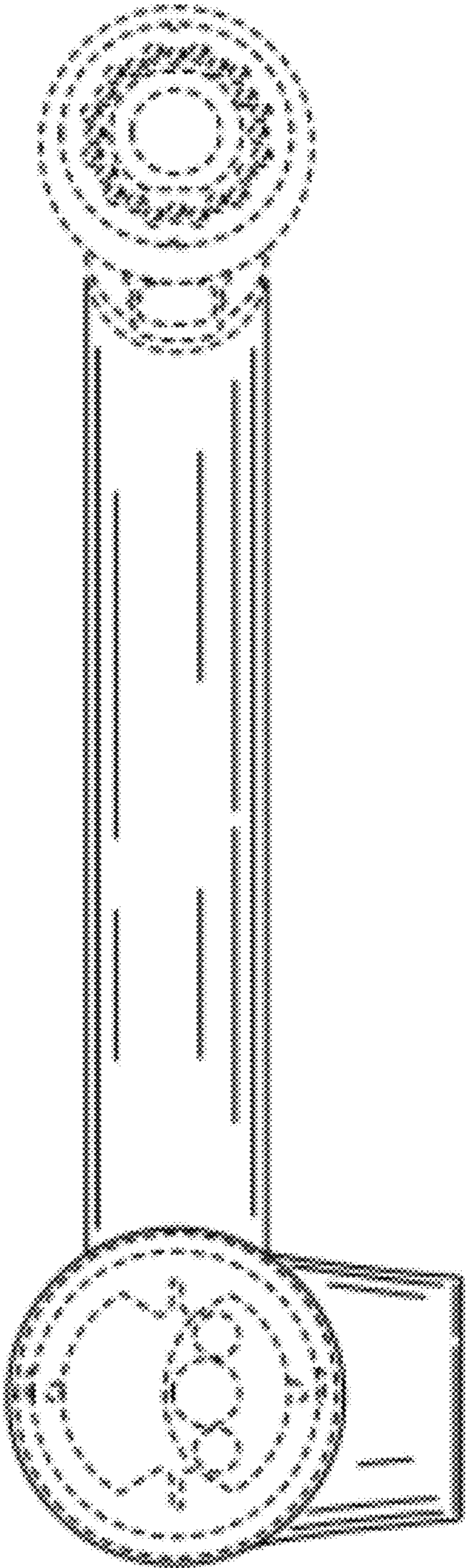


FIG. 7