



US00D670360S

(12) **United States Design Patent**  
**Platt**

(10) **Patent No.:** **US D670,360 S**  
(45) **Date of Patent:** **\*\* Nov. 6, 2012**

(54) **VALVE COVER**  
(75) Inventor: **Richard B. Platt**, Grosse Pointe Farms, MI (US)  
(73) Assignee: **Specialty Auto Parts U.S.A., Inc.**, Warren, MI (US)  
(\*\*) Term: **14 Years**  
(21) Appl. No.: **29/375,545**  
(22) Filed: **Sep. 23, 2010**  
(51) **LOC (9) Cl.** ..... **23-01**  
(52) **U.S. Cl.** ..... **D23/249**  
(58) **Field of Classification Search** ..... D13/156, D13/177; D15/5; D23/233-237, 244-249, D23/259-269, 310; 123/90.37, 90.38, 195 C, 123/198 E  
See application file for complete search history.

5,513,603 A 5/1996 Ang et al.  
5,513,604 A 5/1996 Clement  
5,636,607 A 6/1997 Sattler et al.  
5,655,489 A 8/1997 Kammerer et al.  
5,884,594 A 3/1999 Wiehle  
5,931,131 A 8/1999 Hackett  
D418,844 S 1/2000 Occhiuto  
D422,551 S 4/2000 Haines  
6,089,199 A 7/2000 Lohr et al.  
6,095,105 A 8/2000 Lohr et al.  
6,190,745 B1 2/2001 Breazeale  
6,302,074 B1 10/2001 Bolsover et al.  
6,382,158 B1 5/2002 Durnen  
6,491,014 B1 12/2002 Eickert  
6,591,930 B2 7/2003 Coughlin et al.  
D479,244 S 9/2003 Kern et al.  
D479,721 S 9/2003 Kern et al.  
6,832,587 B2 12/2004 Wampula et al.  
6,860,010 B2 3/2005 Jones et al.  
D503,724 S 4/2005 Grant  
6,889,674 B2 5/2005 Pateman et al.  
7,051,695 B1 5/2006 Kowis  
7,114,475 B2 10/2006 Vanderveen et al.

(Continued)

(56) **References Cited**

U.S. PATENT DOCUMENTS

4,164,927 A 8/1979 Congram et al.  
D252,878 S 9/1979 Bellino et al.  
4,388,898 A 6/1983 Larson  
4,402,518 A 9/1983 Locacius  
4,492,189 A 1/1985 Ogawa et al.  
4,538,560 A 9/1985 Alden  
4,593,659 A 6/1986 Wells et al.  
D290,462 S 6/1987 Mendenhall  
4,788,950 A 12/1988 Finley  
4,821,699 A 4/1989 Mackin  
D305,028 S 12/1989 Sherwood et al.  
D305,123 S 12/1989 Garrett et al.  
D305,676 S 1/1990 Ngai  
D305,767 S 1/1990 Tauschke  
D306,735 S 3/1990 Finley  
5,035,637 A 7/1991 Mathews et al.  
D324,867 S 3/1992 Lyndhurst et al.  
5,095,860 A 3/1992 Newell  
5,285,754 A 2/1994 Bell  
5,323,750 A 6/1994 Rotter  
5,367,993 A 11/1994 Tulach et al.  
5,492,086 A 2/1996 Kuhns

Primary Examiner — Garth Rademaker

(74) *Attorney, Agent, or Firm* — Dickinson Wright PLLC

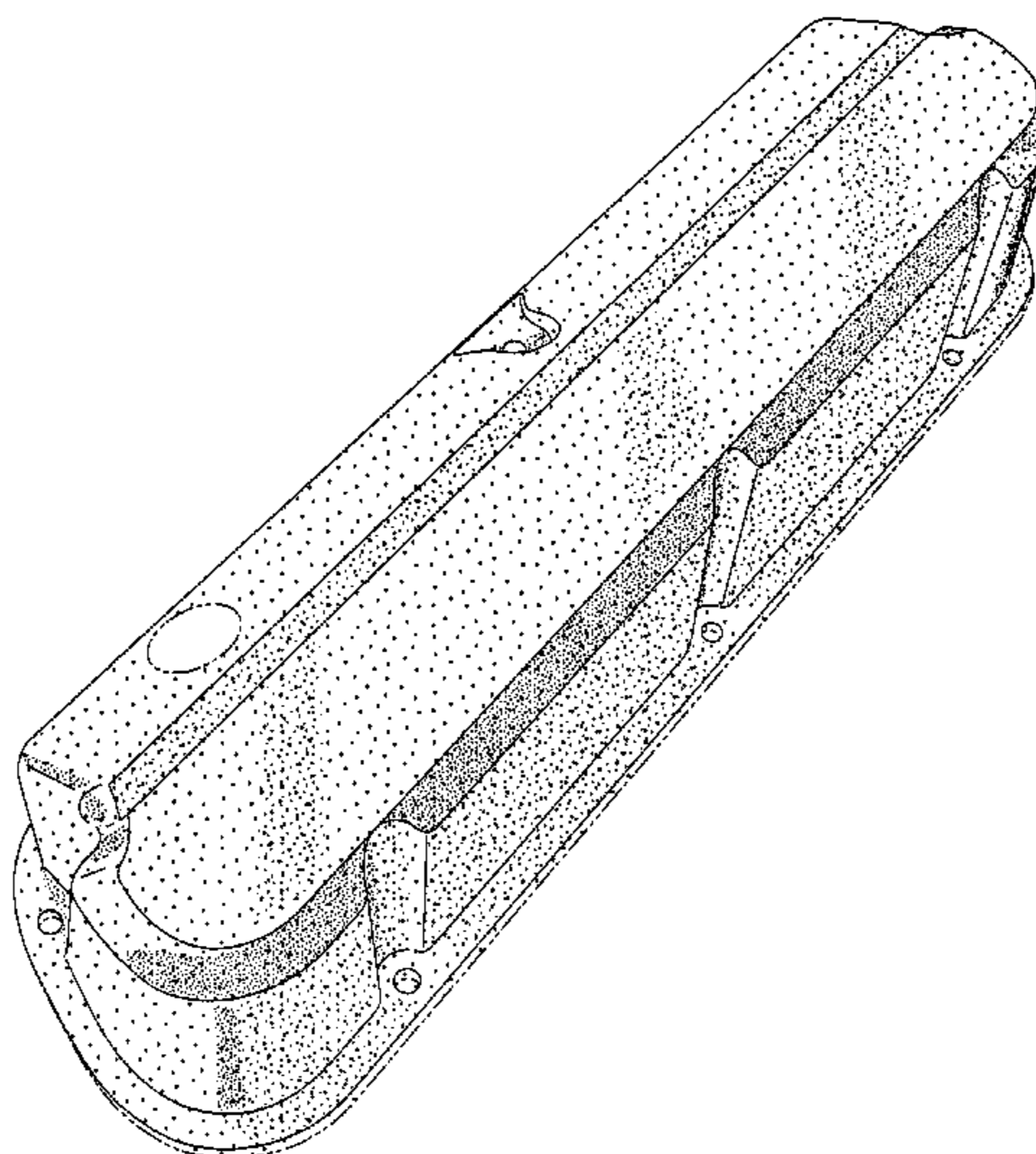
(57) **CLAIM**

The ornamental design for a valve cover, as shown and described.

**DESCRIPTION**

FIG. 1 is a perspective view of a valve cover showing the new design;  
FIG. 2 is a right elevational view thereof, the left elevational view being a mirror image thereof;  
FIG. 3 is a front elevational view thereof;  
FIG. 4 is a rear elevational view thereof;  
FIG. 5 is a top plan view thereof; and,  
FIG. 6 is a bottom plan view thereof.  
The broken line portions of the figures illustrate environmental subject matter only and form no part of the claimed design.

**1 Claim, 4 Drawing Sheets**



# US D670,360 S

Page 2

---

## U.S. PATENT DOCUMENTS

D531,641 S	11/2006	Schultz et al.	D591,770 S	5/2009	Snyder	
D533,567 S	12/2006	D'Amico	7,765,970 B2	8/2010	Sammons	
D543,998 S	6/2007	Platt	7,765,971 B1	8/2010	Overacker	
7,316,215 B1	1/2008	Nino et al.	7,827,950 B2	11/2010	Hu et al.	
7,343,890 B1	3/2008	Platt	8,056,522 B1 *	11/2011	Carter	123/90.38
D574,853 S *	8/2008	Harbert	D657,798 S *	4/2012	Platt et al.	D15/5
7,430,999 B2	10/2008	Schweiger	8,211,368 B2 *	7/2012	Fine et al.	422/120
D580,954 S	11/2008	Platt	2008/0072856 A1 *	3/2008	Platt	123/90.38

\* cited by examiner

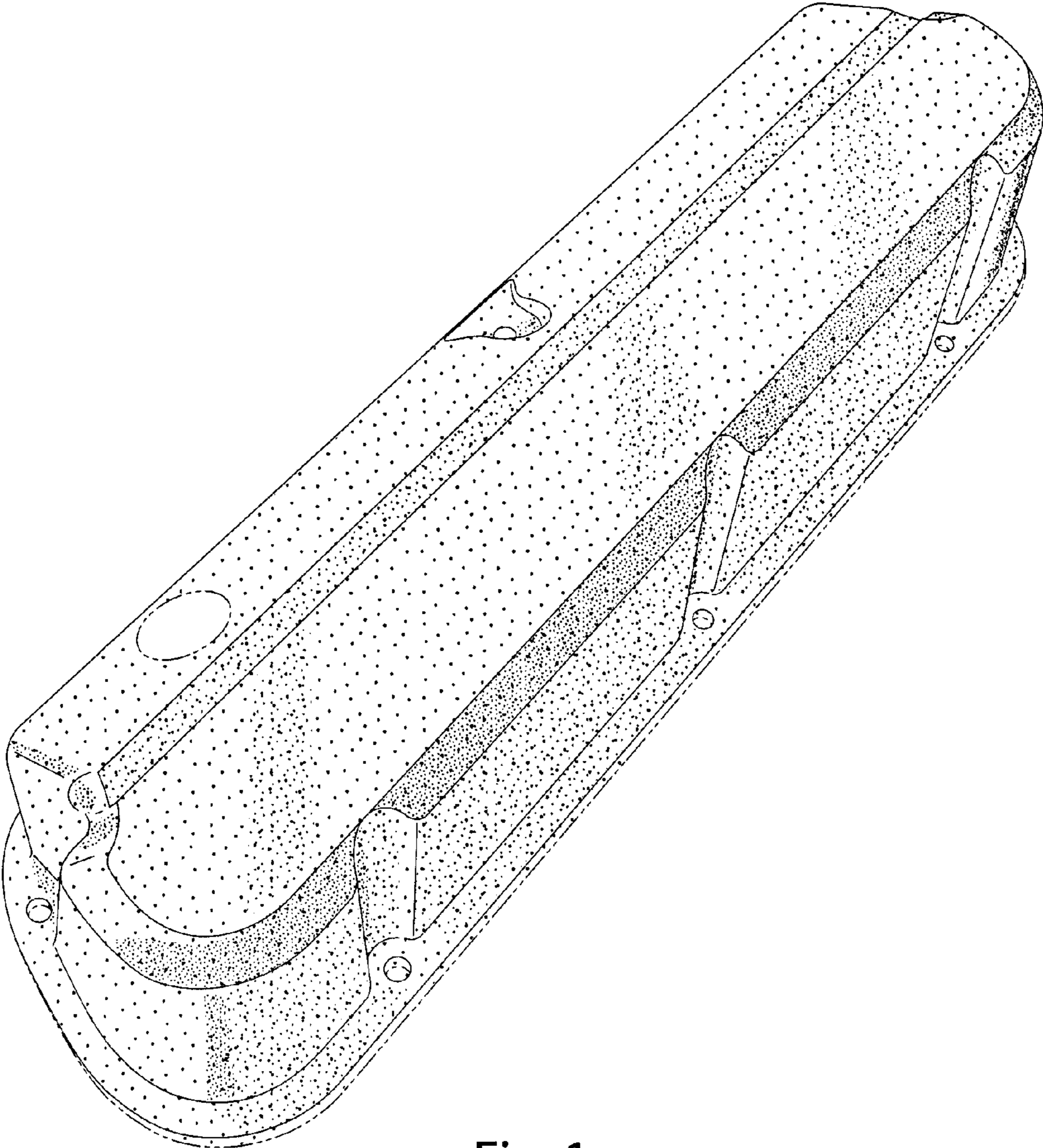


Fig. 1

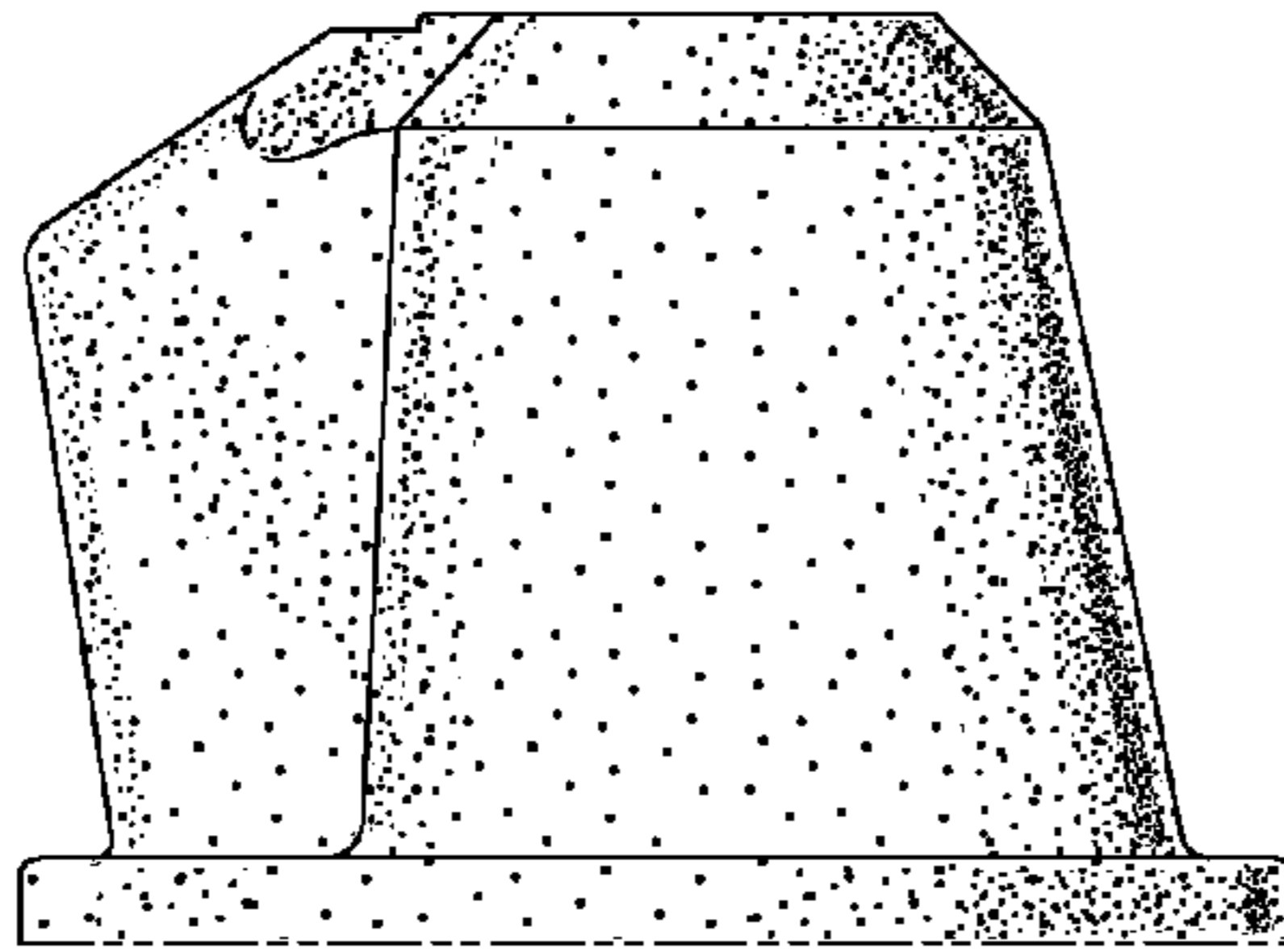


Fig. 2



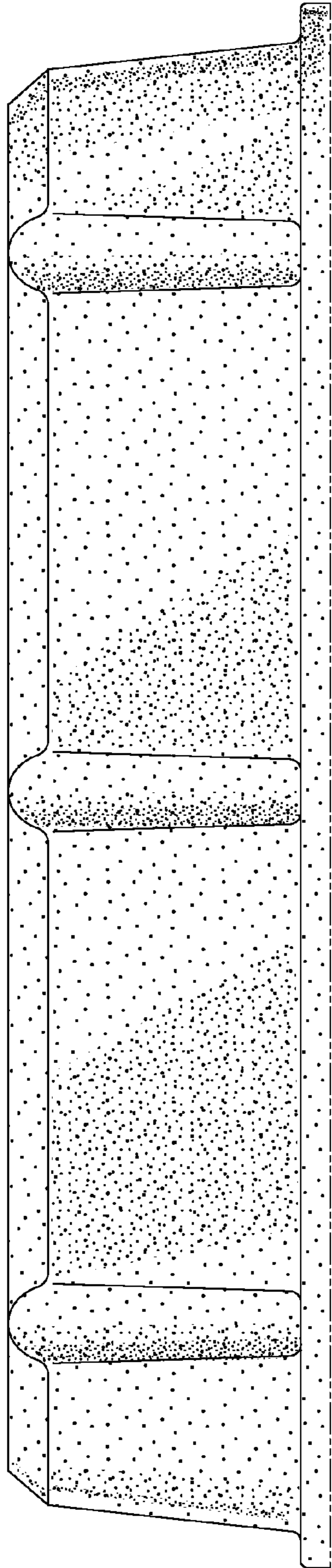


Fig. 3

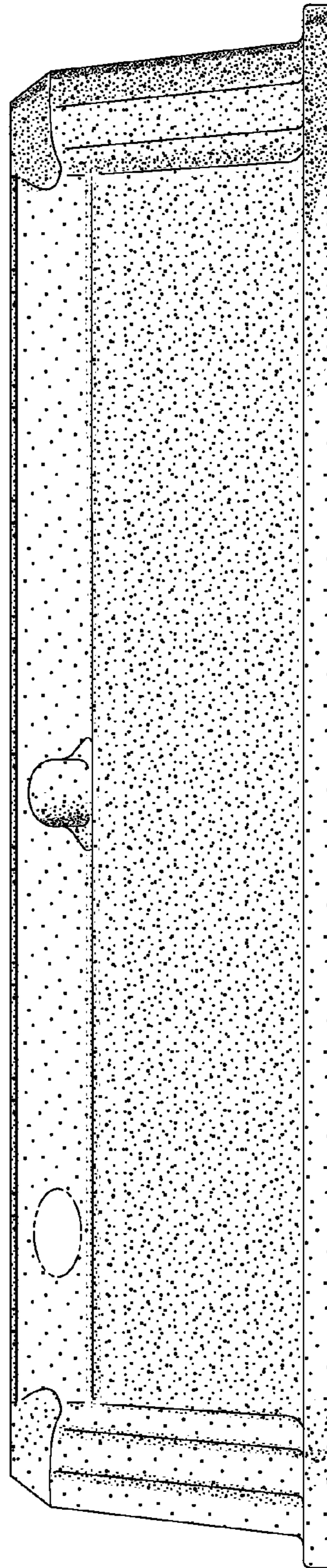


Fig. 4

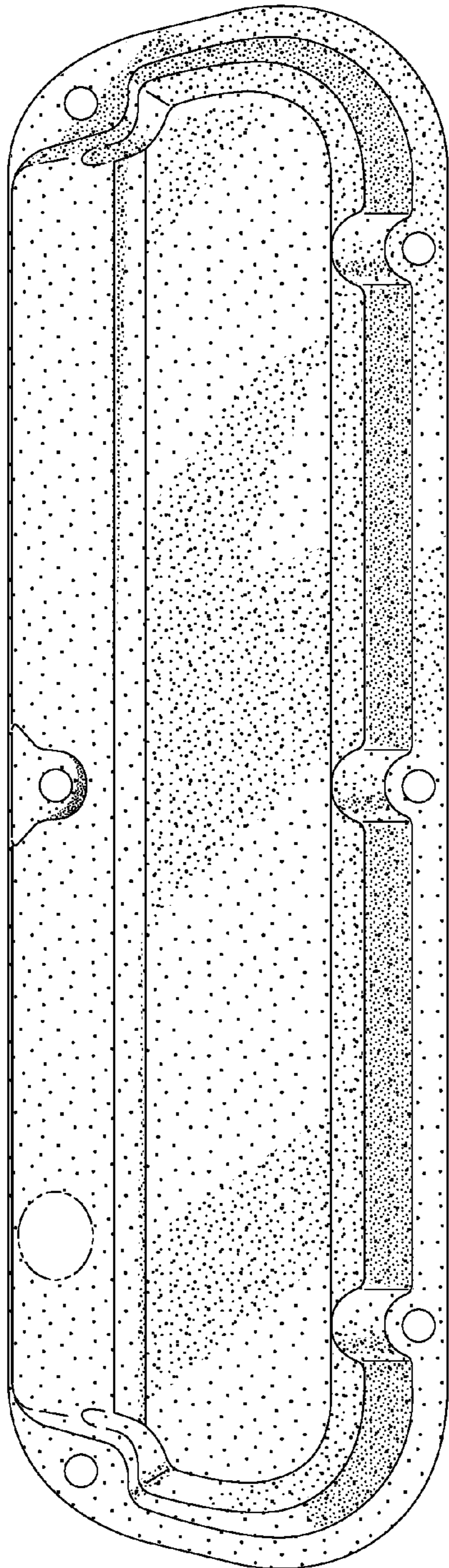


Fig. 5

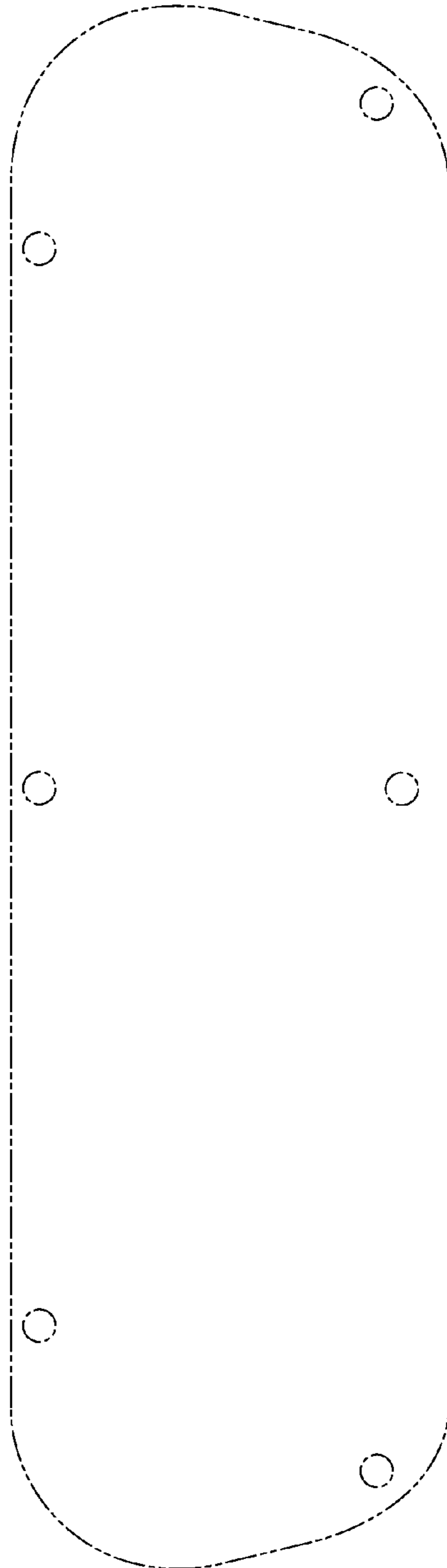


Fig. 6