



US00D670359S

(12) **United States Design Patent**  
**Bai**

(10) **Patent No.:** **US D670,359 S**

(45) **Date of Patent:** **\*\* Nov. 6, 2012**

(54) **SHOWER HEAD**

(75) Inventor: **Deng Hui Bai**, Xiamen (CN)

(73) Assignee: **Xiamen Lelin Sanitary Ware Co., Ltd Co., Ltd.**, Xiamen (CN)

(\*\*) Term: **14 Years**

(21) Appl. No.: **29/417,330**

(22) Filed: **Apr. 2, 2012**

(51) **LOC (9) Cl.** ..... **23-01**

(52) **U.S. Cl.** ..... **D23/229**

(58) **Field of Classification Search** ..... D23/213,  
D23/223, 229, 230; 239/282, 283; 4/615  
See application file for complete search history.

(56) **References Cited**

U.S. PATENT DOCUMENTS

D545,403 S \* 6/2007 Kemp ..... D23/255  
D612,454 S \* 3/2010 Wu et al. .... D23/229

D616,061 S \* 5/2010 Whitaker et al. .... D23/213  
\* cited by examiner

*Primary Examiner* — Robin V Webster

(74) *Attorney, Agent, or Firm* — Rabin & Berdo, P.C.

(57) **CLAIM**

The ornamental design for a shower head, as shown and described.

**DESCRIPTION**

FIG. 1 is a front view of a shower head showing my new design;

FIG. 2 is a rear view thereof;

FIG. 3 is a left side view thereof;

FIG. 4 is a right side view thereof;

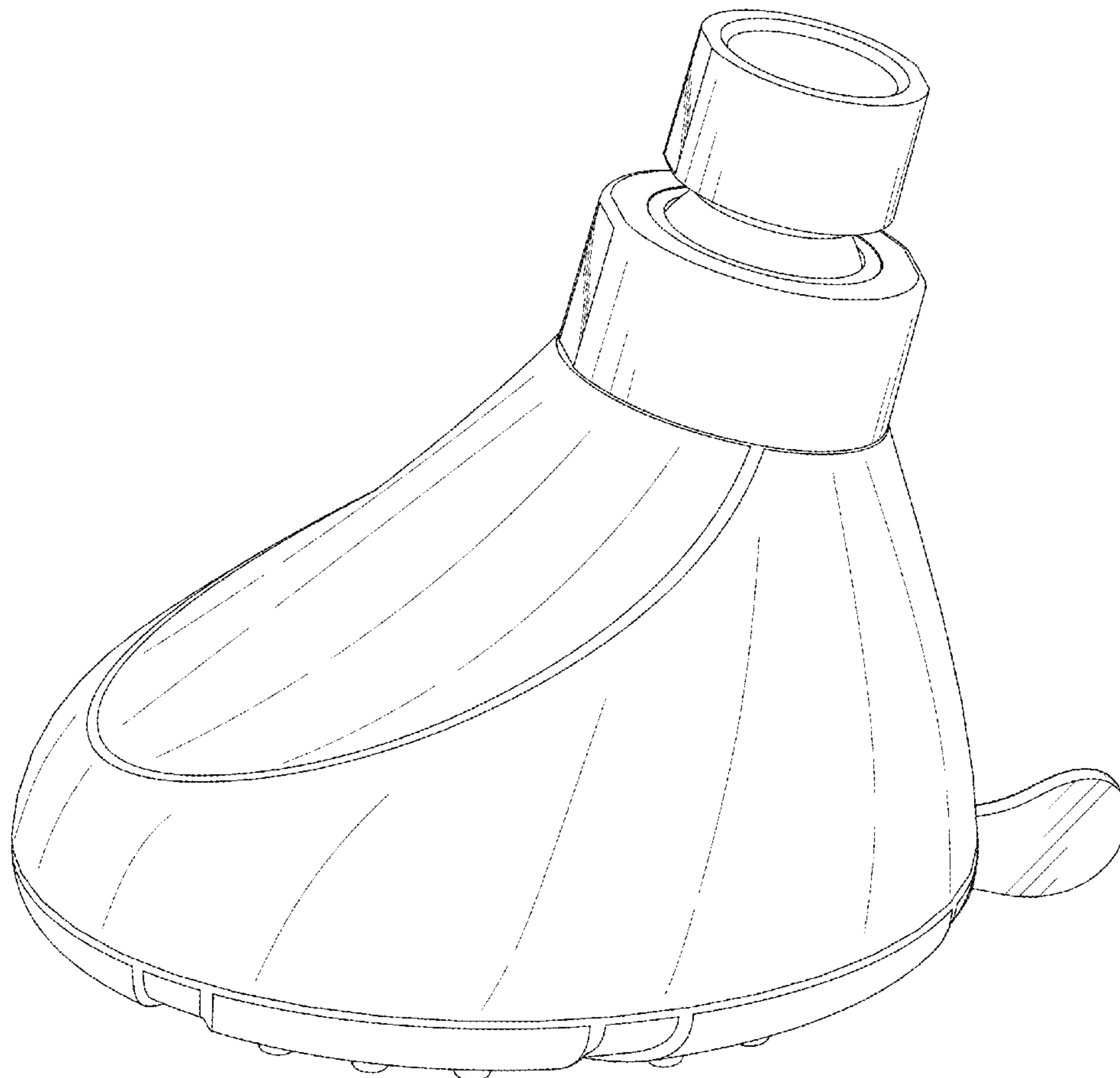
FIG. 5 is a top plan view thereof;

FIG. 6 is a bottom plan view thereof; and,

FIG. 7 is a perspective view thereof.

The broken lines showing in Figures are for illustrative purposes only and form no part of the claimed design.

**1 Claim, 7 Drawing Sheets**



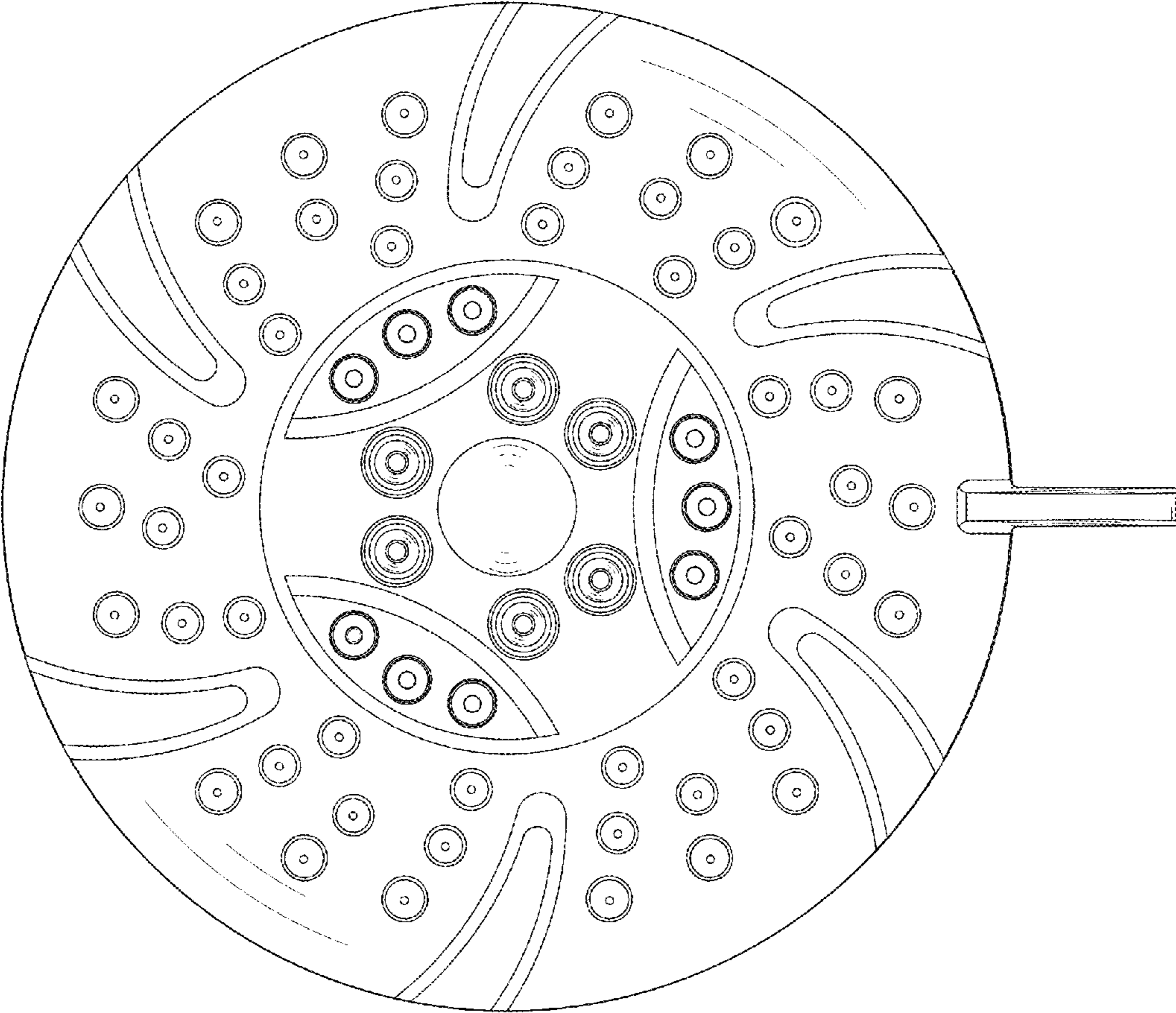


FIG. 1

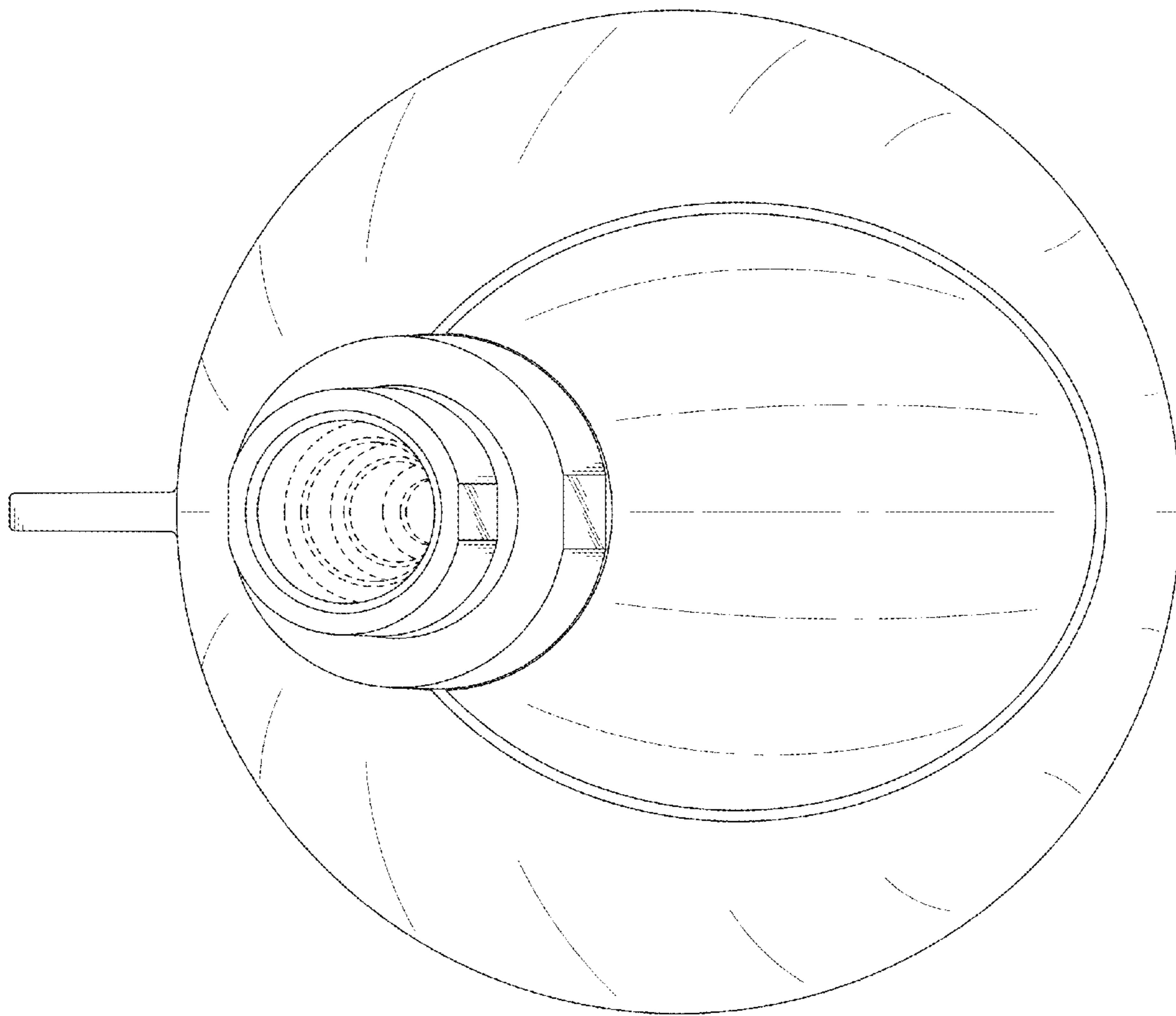


FIG. 2

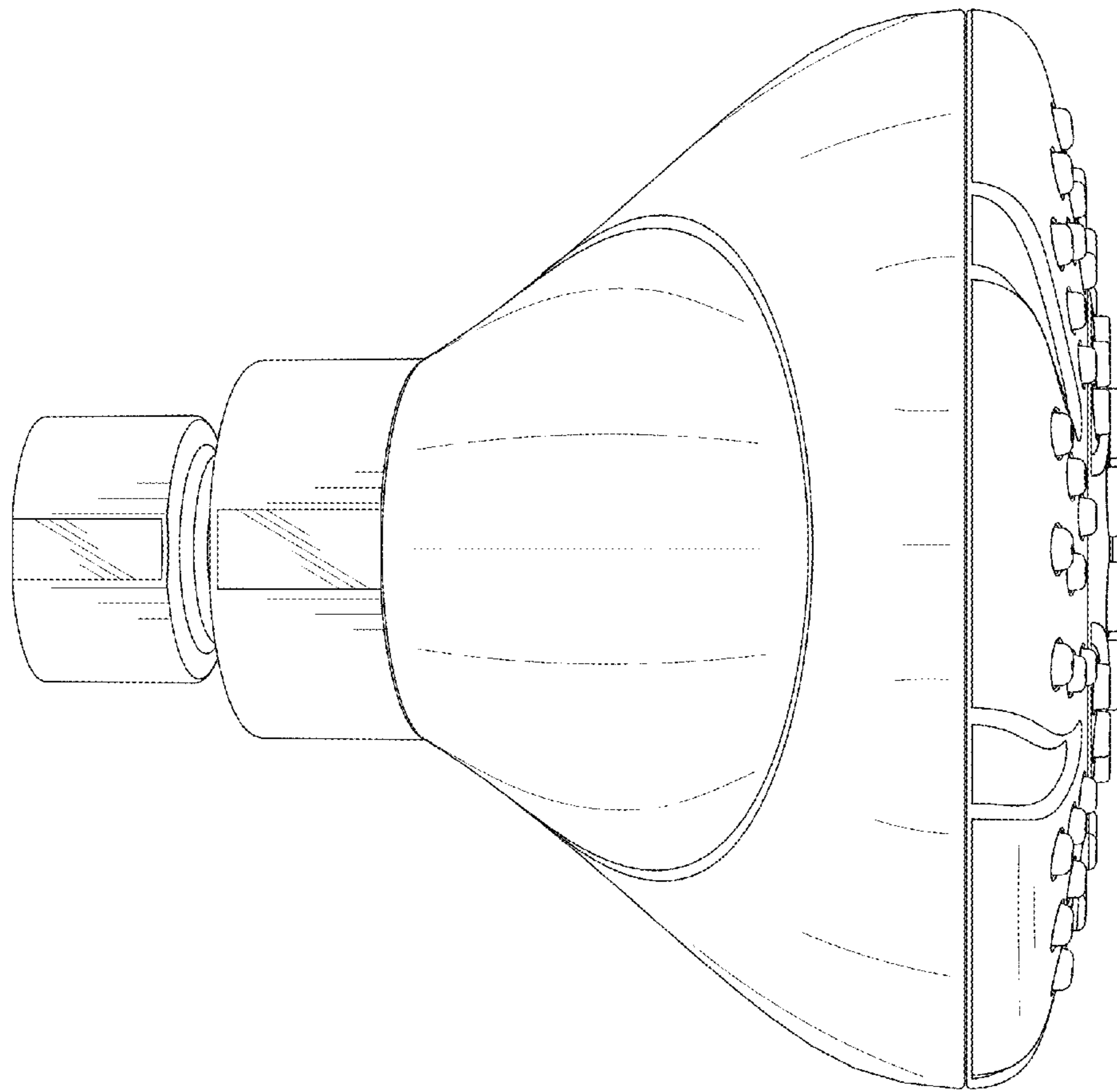


FIG. 3

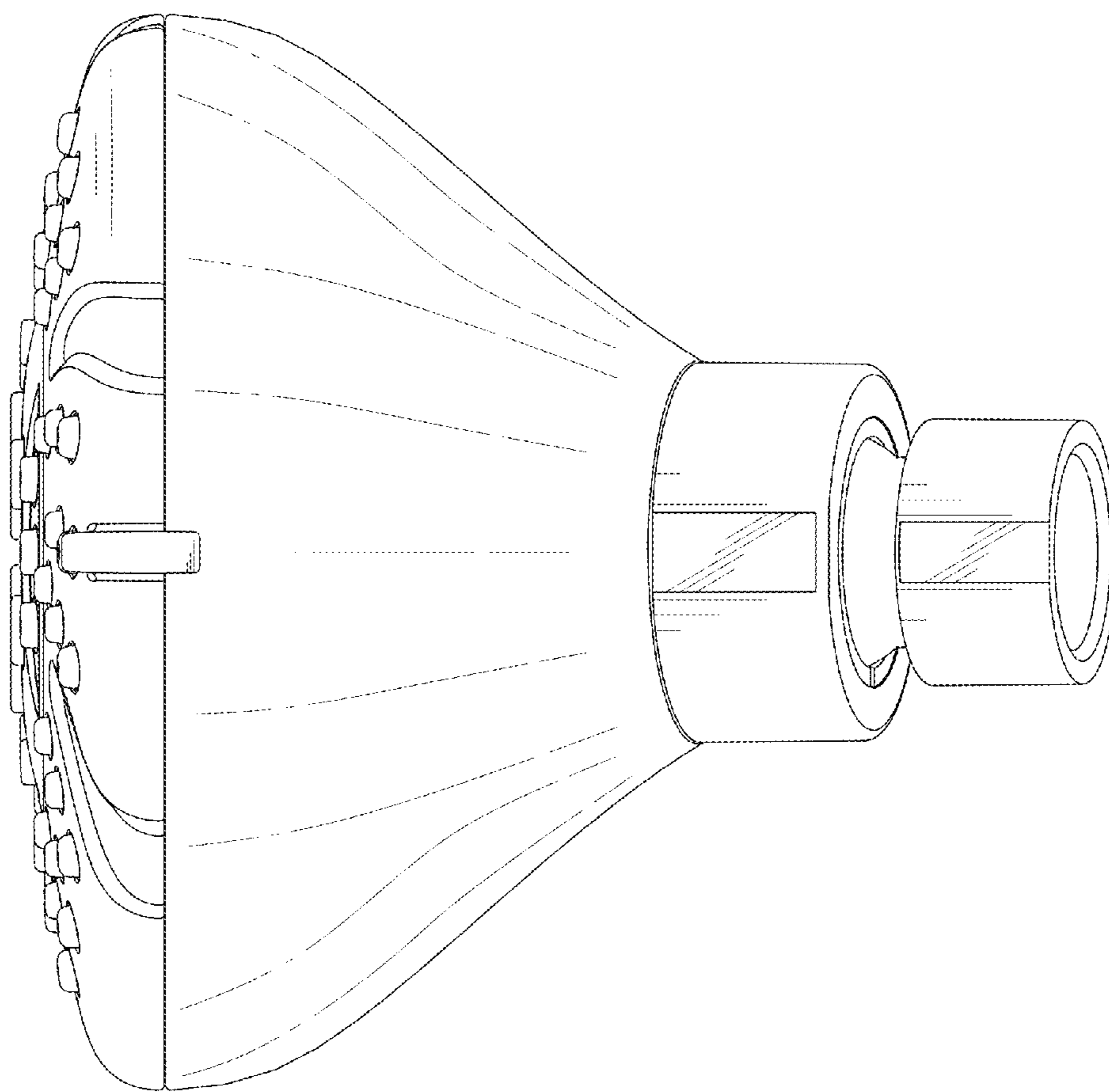


FIG. 4

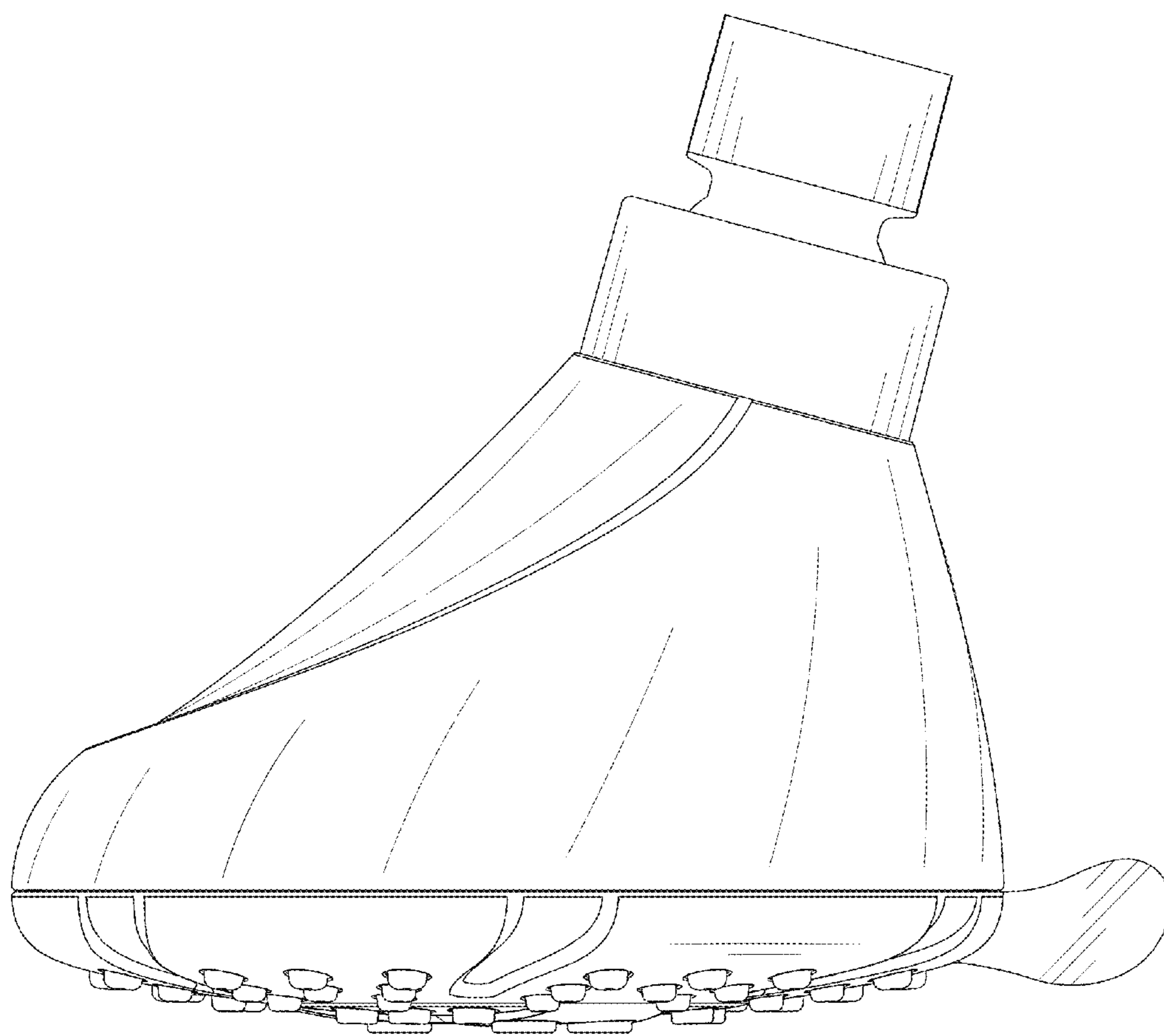


FIG. 5

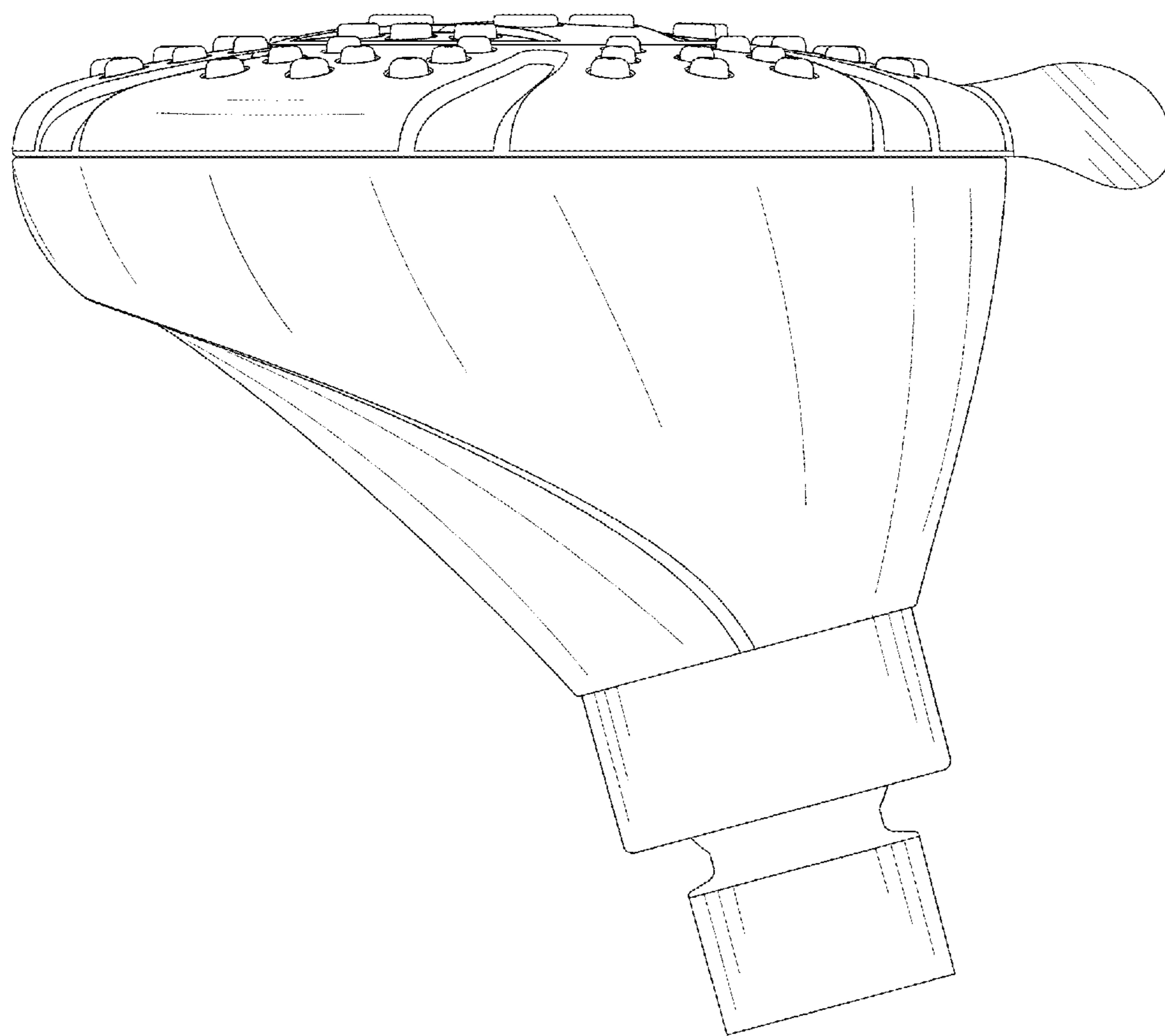


FIG. 6



FIG. 7