



US00D670358S

(12) **United States Design Patent**
Bai

(10) **Patent No.:** **US D670,358 S**

(45) **Date of Patent:** **** Nov. 6, 2012**

(54) **SHOWER HEAD**

(75) Inventor: **Deng Hui Bai**, Xiamen (CN)

(73) Assignee: **Xiamen Lelin Sanitary Ware Co., Ltd Co., Ltd.**, Xiamen (CN)

(**) Term: **14 Years**

(21) Appl. No.: **29/417,334**

(22) Filed: **Apr. 2, 2012**

(51) **LOC (9) Cl.** **23-01**

(52) **U.S. Cl.** **D23/223**

(58) **Field of Classification Search** D23/213,
D23/223, 229, 230; 239/282, 283; 4/615
See application file for complete search history.

(56) **References Cited**

U.S. PATENT DOCUMENTS

D578,604 S	*	10/2008	Wu et al.	D23/223
D604,391 S	*	11/2009	Christianson	D23/223
D617,420 S	*	6/2010	Lee	D23/223
D621,908 S	*	8/2010	Yoo et al.	D23/223

D631,133 S * 1/2011 Yoo et al. D23/223
* cited by examiner

Primary Examiner — Robin V Webster

(74) *Attorney, Agent, or Firm* — Rabin & Berdo, P.C.

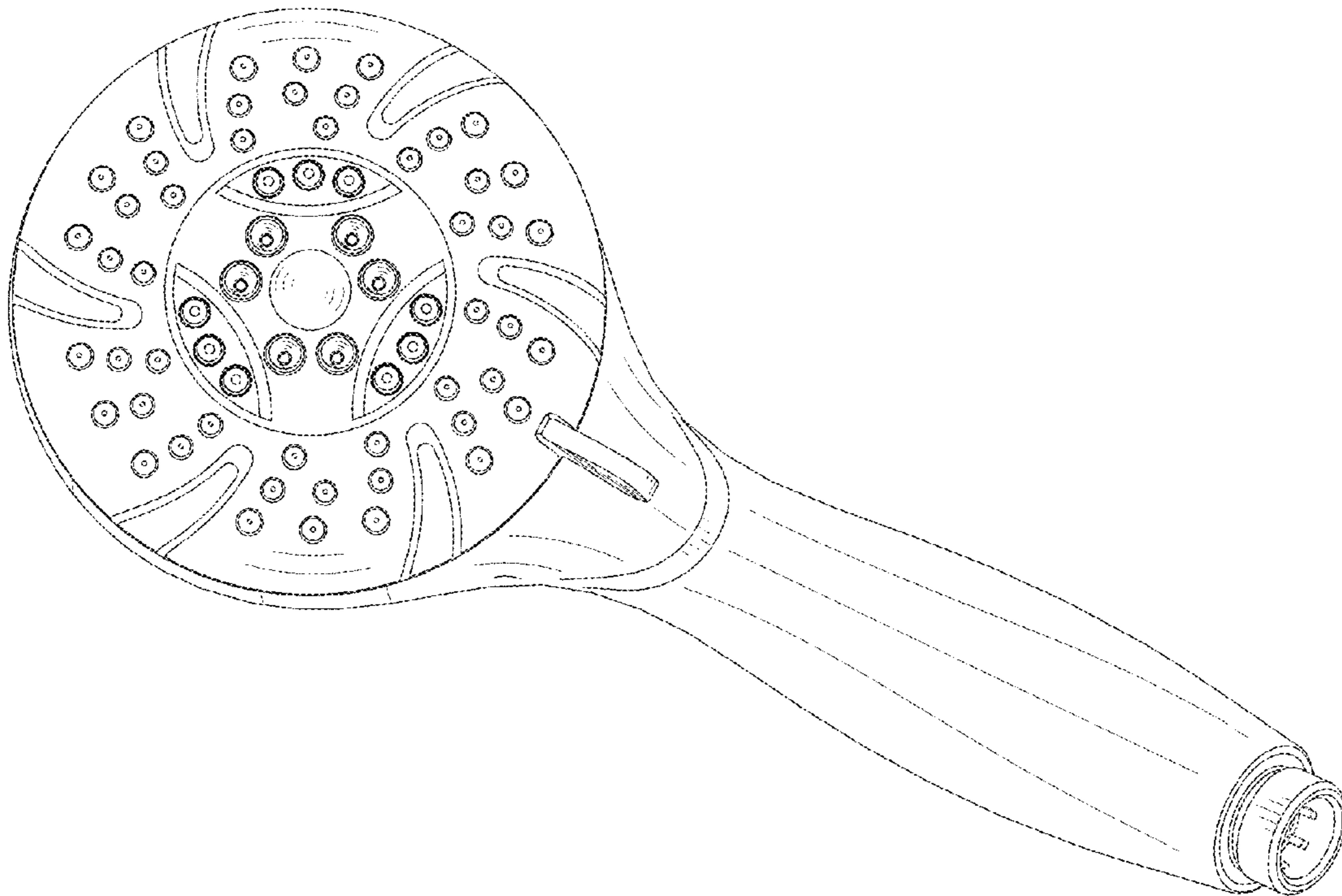
(57) **CLAIM**

The ornamental design for a shower head, as shown and described.

DESCRIPTION

FIG. 1 is a front view of a shower head showing my new design;
FIG. 2 is a rear view thereof;
FIG. 3 is a left side view thereof;
FIG. 4 is a right side view thereof;
FIG. 5 is a top plan view thereof;
FIG. 6 is a bottom plan view thereof;
FIG. 7 is a front perspective view thereof; and,
FIG. 8 is a back perspective view thereof.
The broken lines showing in Figures are for illustrative purposes only and form no part of the claimed design.

1 Claim, 8 Drawing Sheets



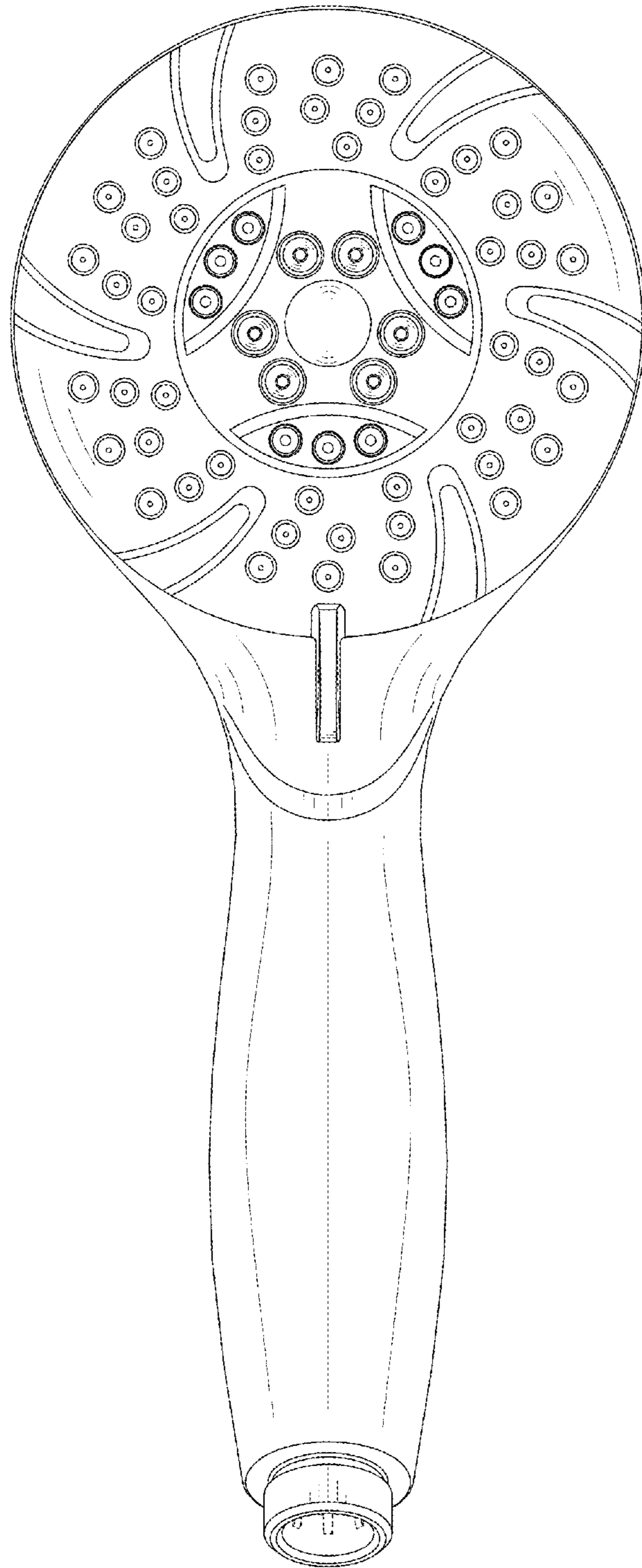


FIG. 1

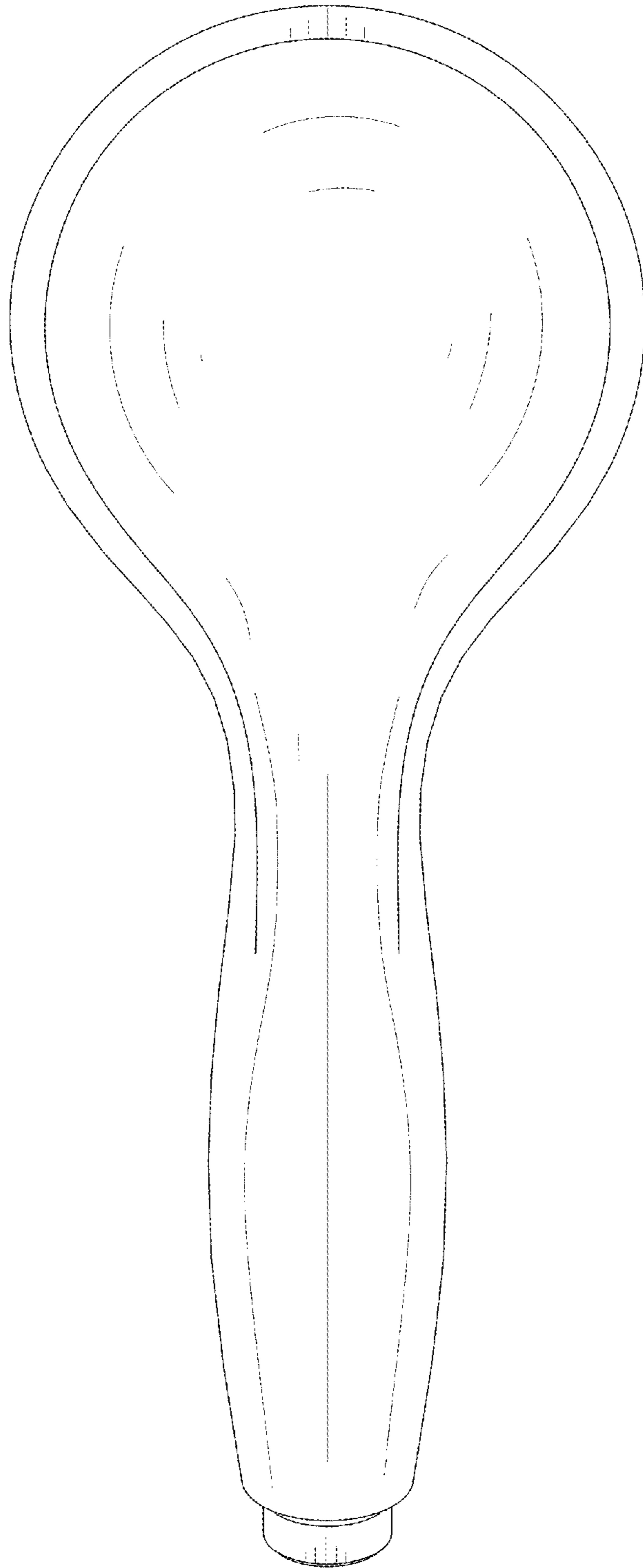


FIG. 2

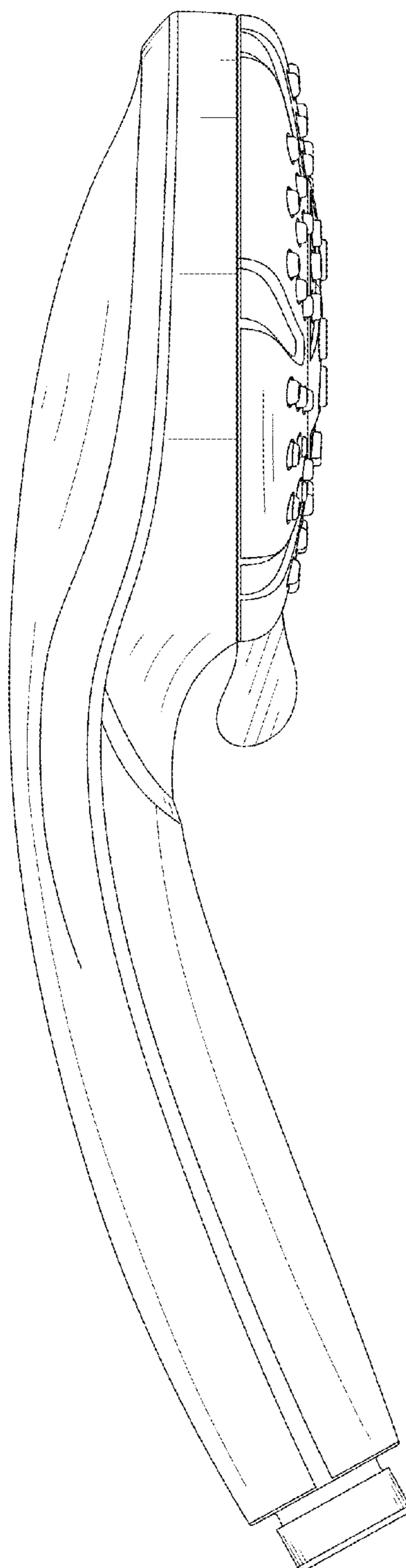


FIG. 3

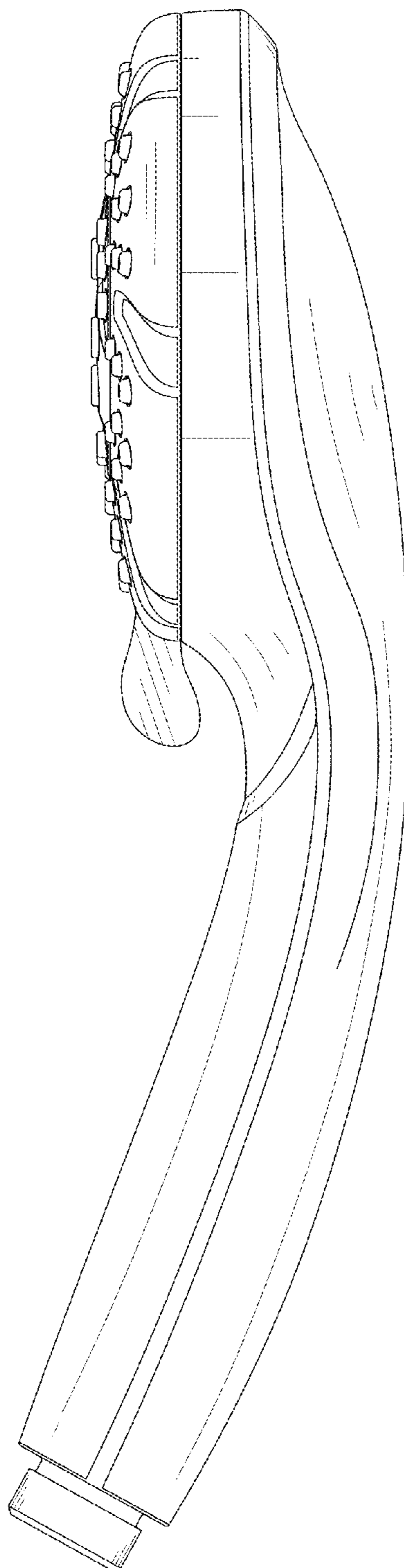


FIG. 4

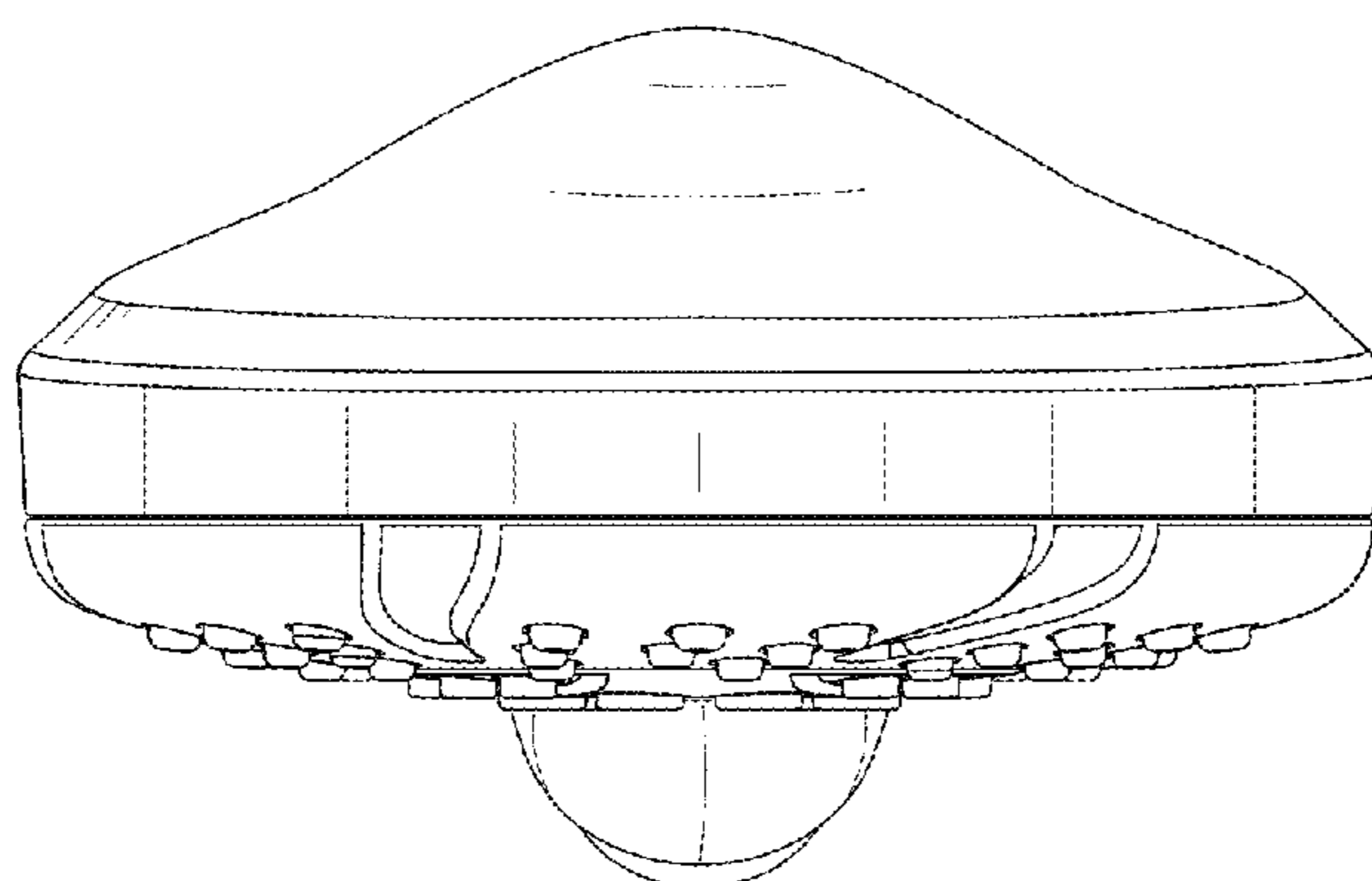


FIG. 5

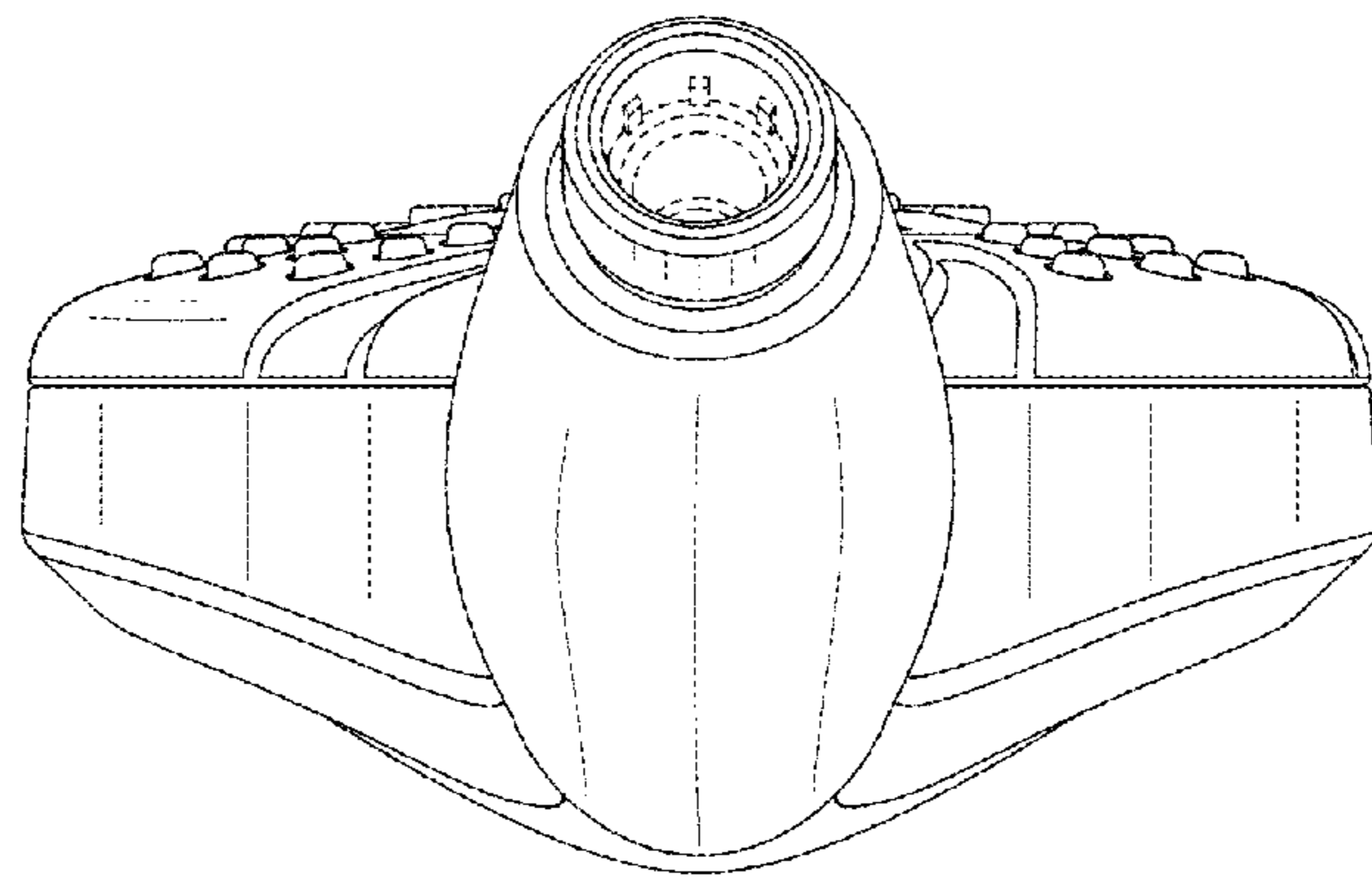


FIG. 6

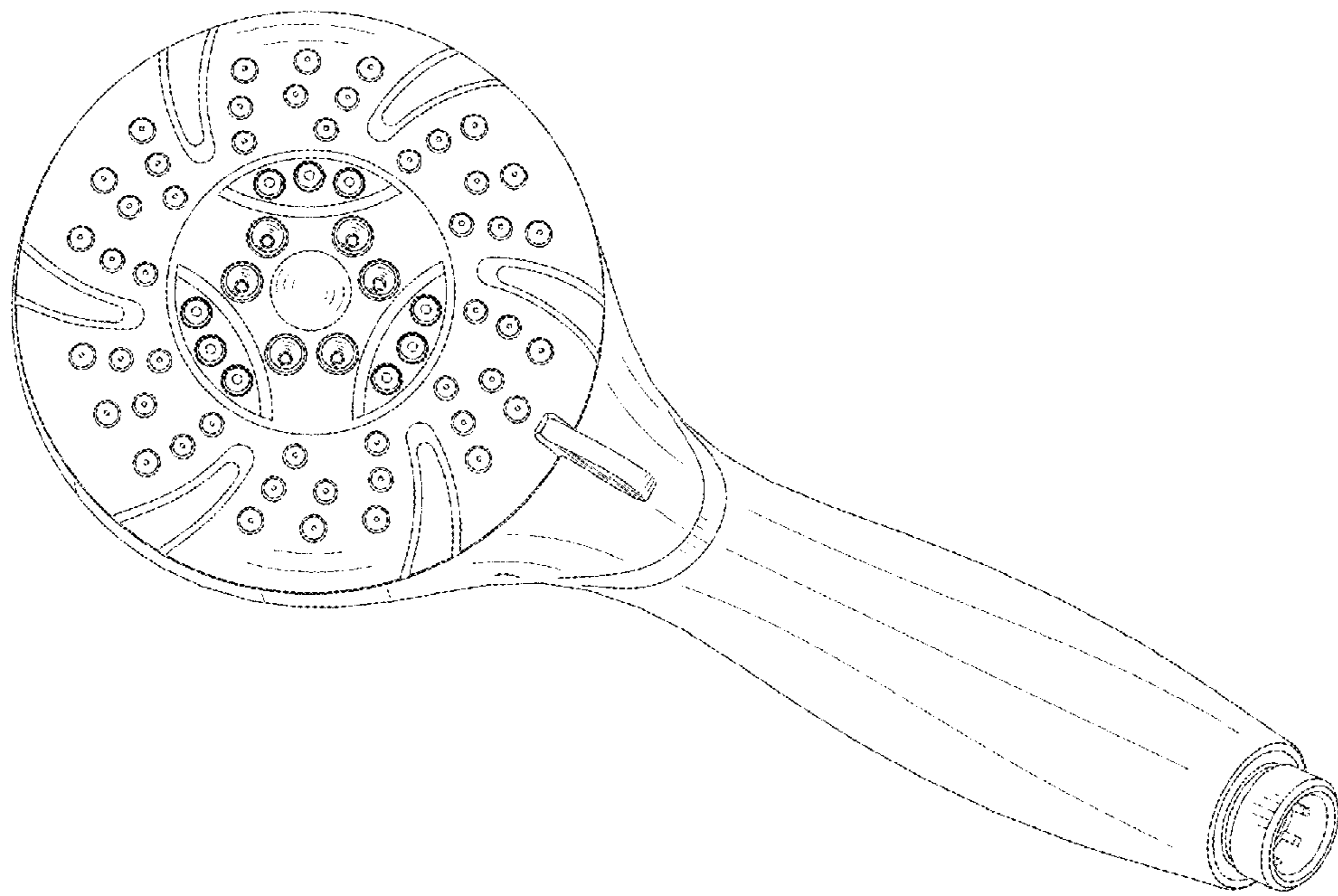


FIG. 7

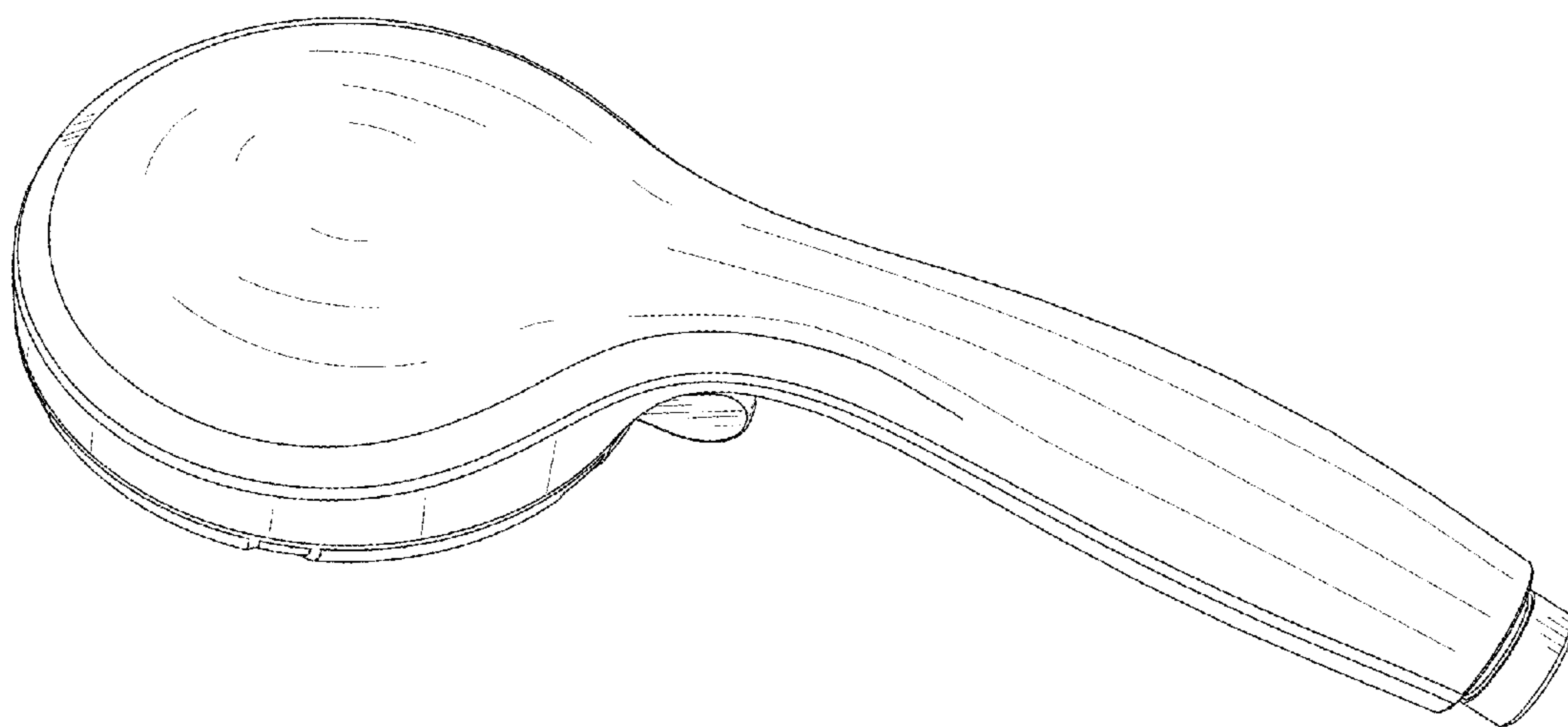


FIG. 8