



US00D670355S

(12) **United States Design Patent**
Zimmerman

(10) **Patent No.:** **US D670,355 S**

(45) **Date of Patent:** **** Nov. 6, 2012**

(54) **FUEL CONTAINER**

(75) **Inventor:** **Wade Zimmerman**, Santa Paula, CA
(US)

(73) **Assignee:** **Jaz Products**, Santa Paula, CA (US)

(**) **Term:** **14 Years**

(21) **Appl. No.:** **29/386,929**

(22) **Filed:** **Mar. 7, 2011**

(51) **LOC (9) Cl.** **23-01**

(52) **U.S. Cl.** **D23/211.2; D9/527; D9/533; D9/543;**
D9/563

(58) **Field of Classification Search** D9/516,
D9/523, 524, 526-528, 530, 531, 533, 541,
D9/543, 559, 560, 563, 572, 575; 215/381-385;
220/660, 662, 669; D23/211.1-211.2
See application file for complete search history.

(56) **References Cited**

U.S. PATENT DOCUMENTS

D295,022 S *	4/1988	Hunsaker	D9/524
D326,050 S *	5/1992	Stockstill	D23/211.2
D341,314 S *	11/1993	Charbonneau et al.	D9/533
D358,330 S *	5/1995	Kahl	D23/211.1
D363,215 S *	10/1995	Powell et al.	D9/683
D376,540 S *	12/1996	Boumil	D23/211.2
D433,635 S *	11/2000	Chrisco et al.	D9/527
D435,451 S *	12/2000	Giugiaro	D9/528
D462,616 S *	9/2002	Scheida	D9/528

D480,972 S *	10/2003	Cheresko	D9/527
D526,203 S *	8/2006	Mishra	D9/527
D548,094 S *	8/2007	Salas	D9/524
D581,481 S *	11/2008	Edwards	D23/211
D616,752 S *	6/2010	Adams	D9/527

* cited by examiner

Primary Examiner — Keli L Hill

(74) *Attorney, Agent, or Firm* — Koppel, Patrick, Heybl & Philpott

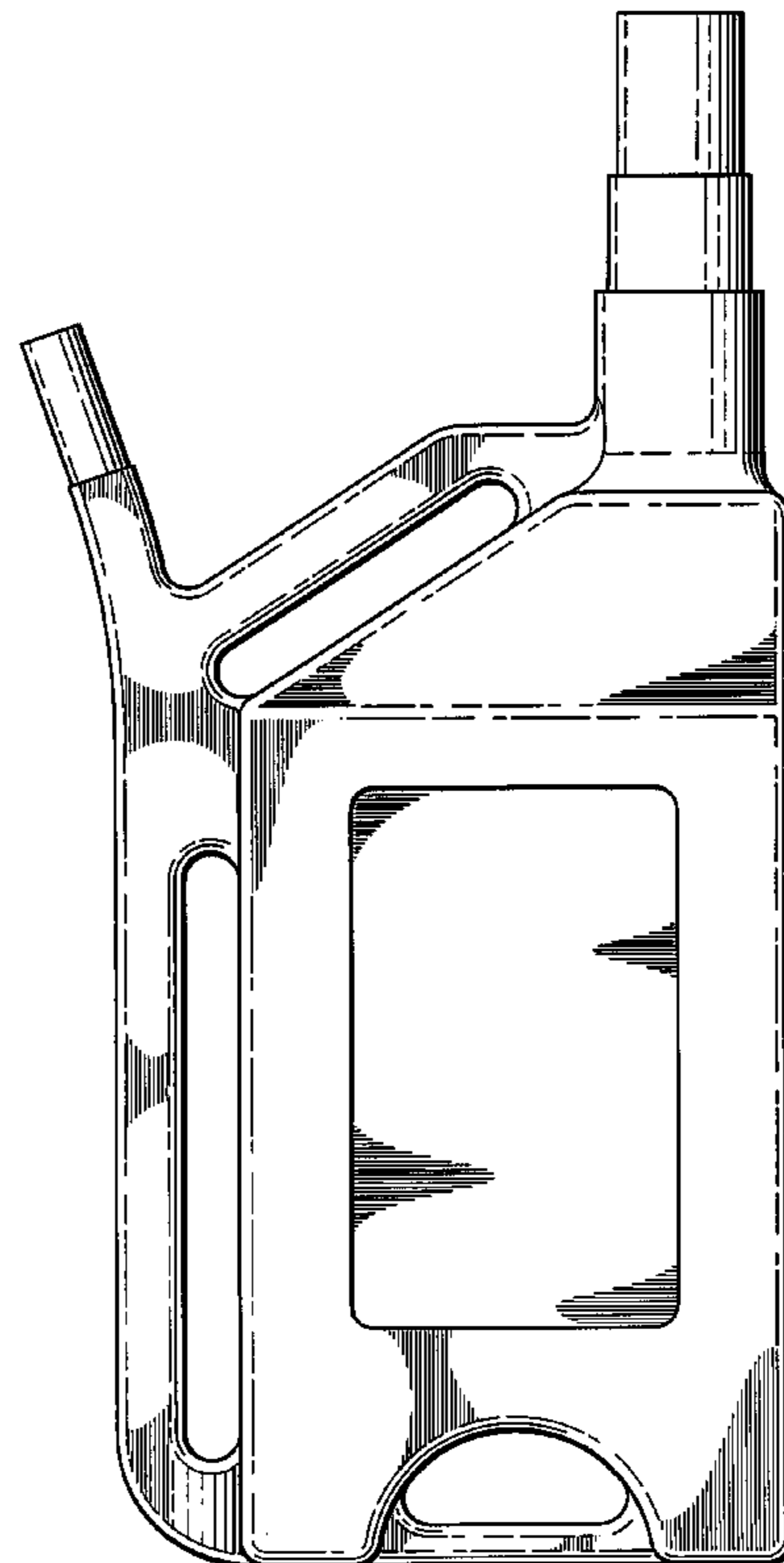
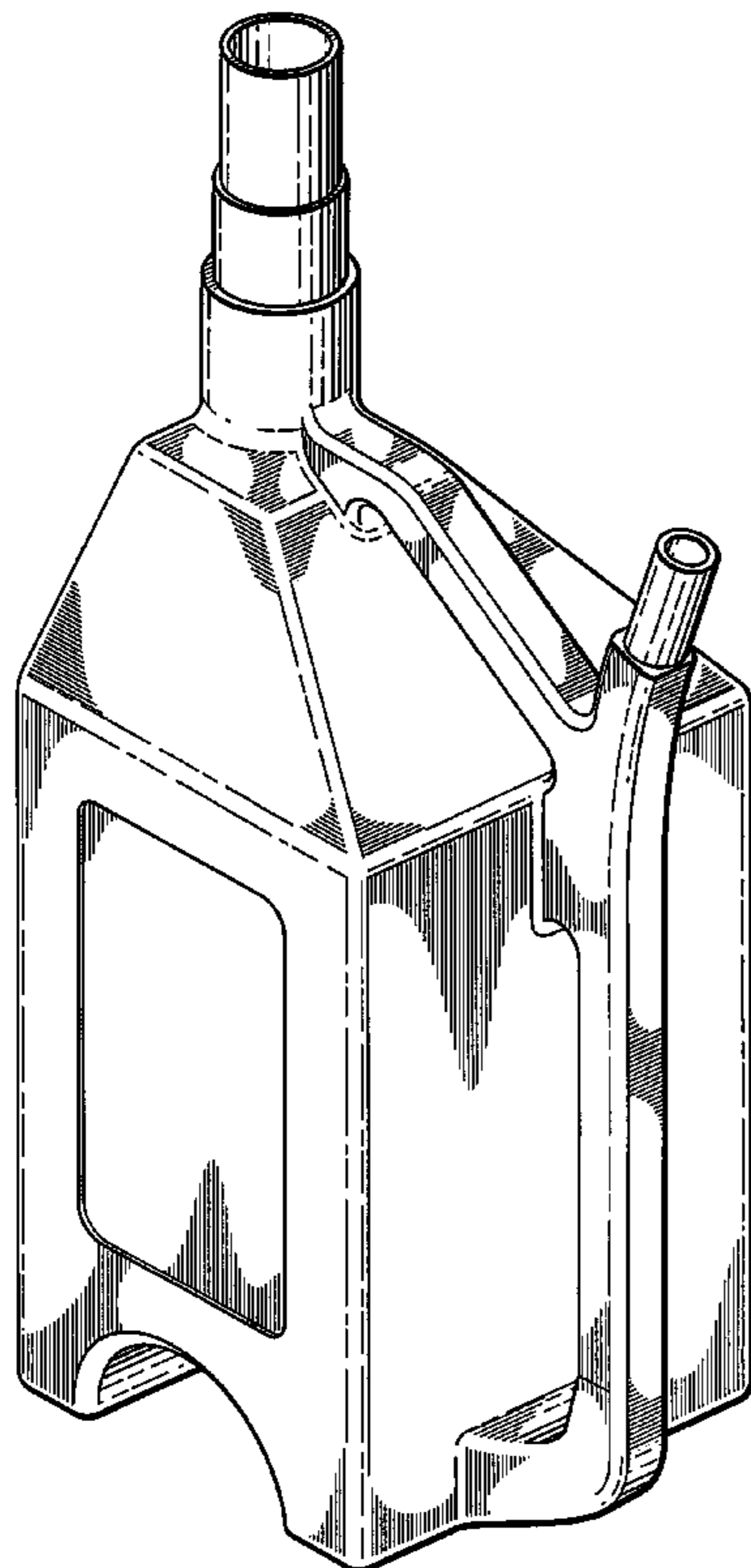
(57) **CLAIM**

The ornamental design for a fuel container, as shown and described.

DESCRIPTION

FIG. 1 is a perspective view of a fuel container, embodying my new design;
FIG. 2 is a front view of the fuel container design shown in FIG. 1;
FIG. 3 is a back view of the fuel container design shown in FIG. 1;
FIG. 4 is a right side view of the fuel container design shown in FIG. 1, the left side view being a mirror image thereto;
FIG. 5 is a top view of the fuel container design shown in FIG. 1; and,
FIG. 6 bottom view of the fuel container design shown in FIG. 1.

1 Claim, 5 Drawing Sheets



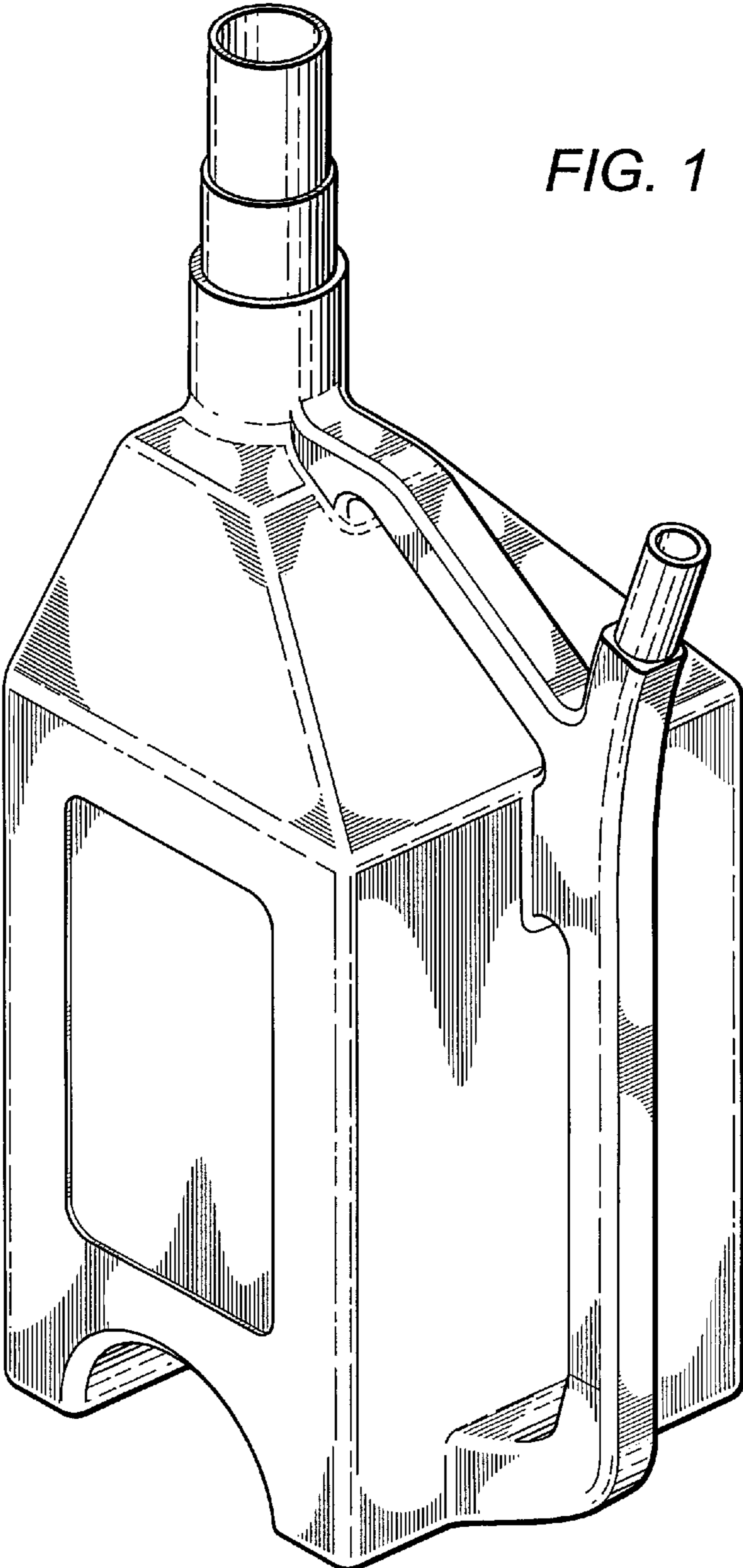


FIG. 1

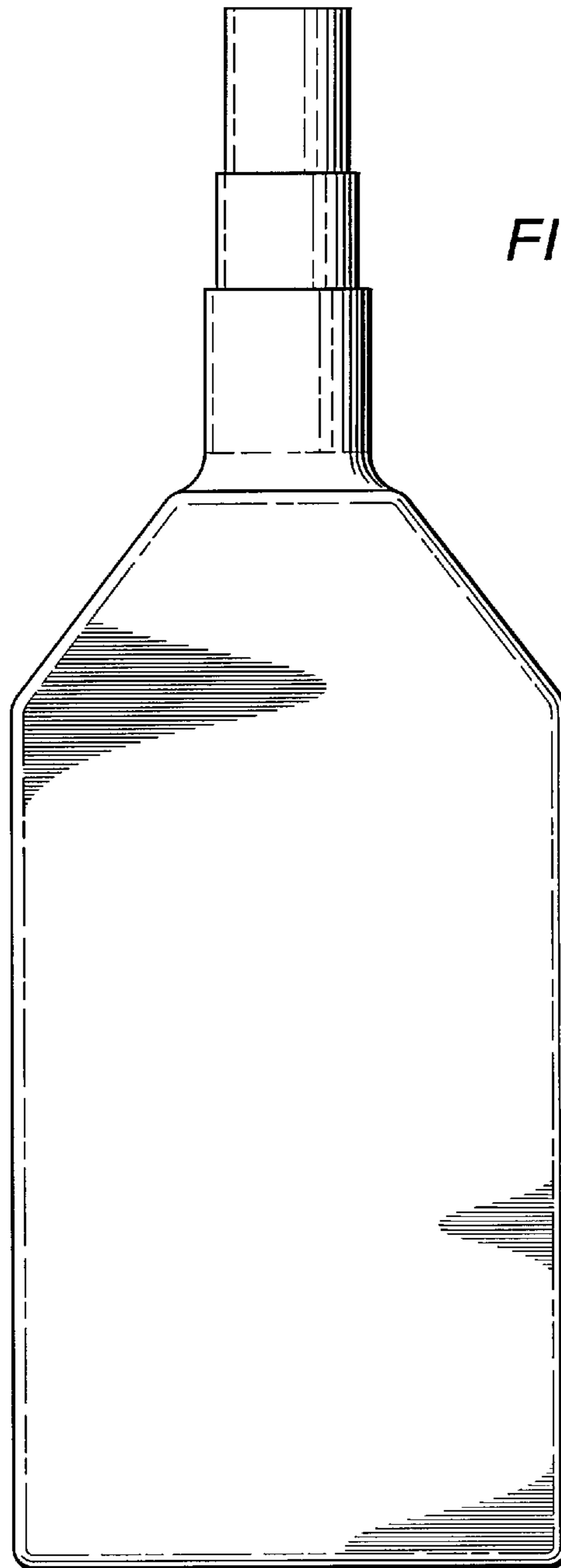


FIG. 2

FIG. 3

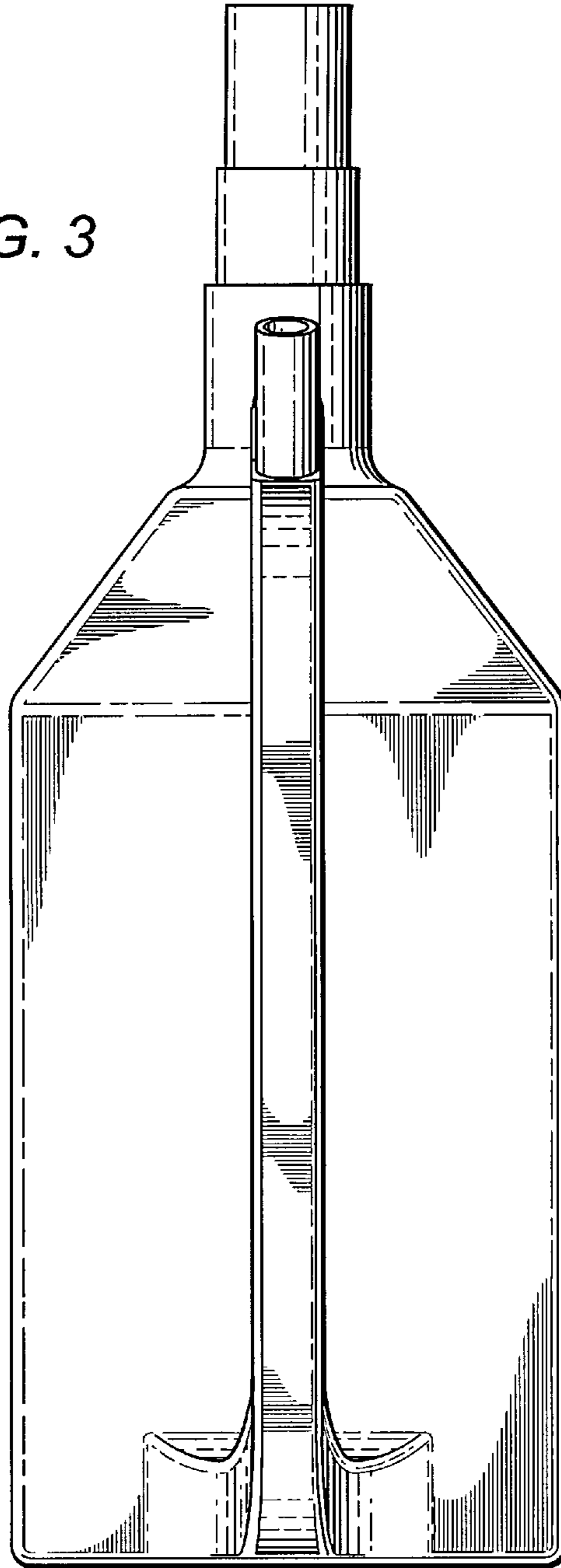


FIG. 4

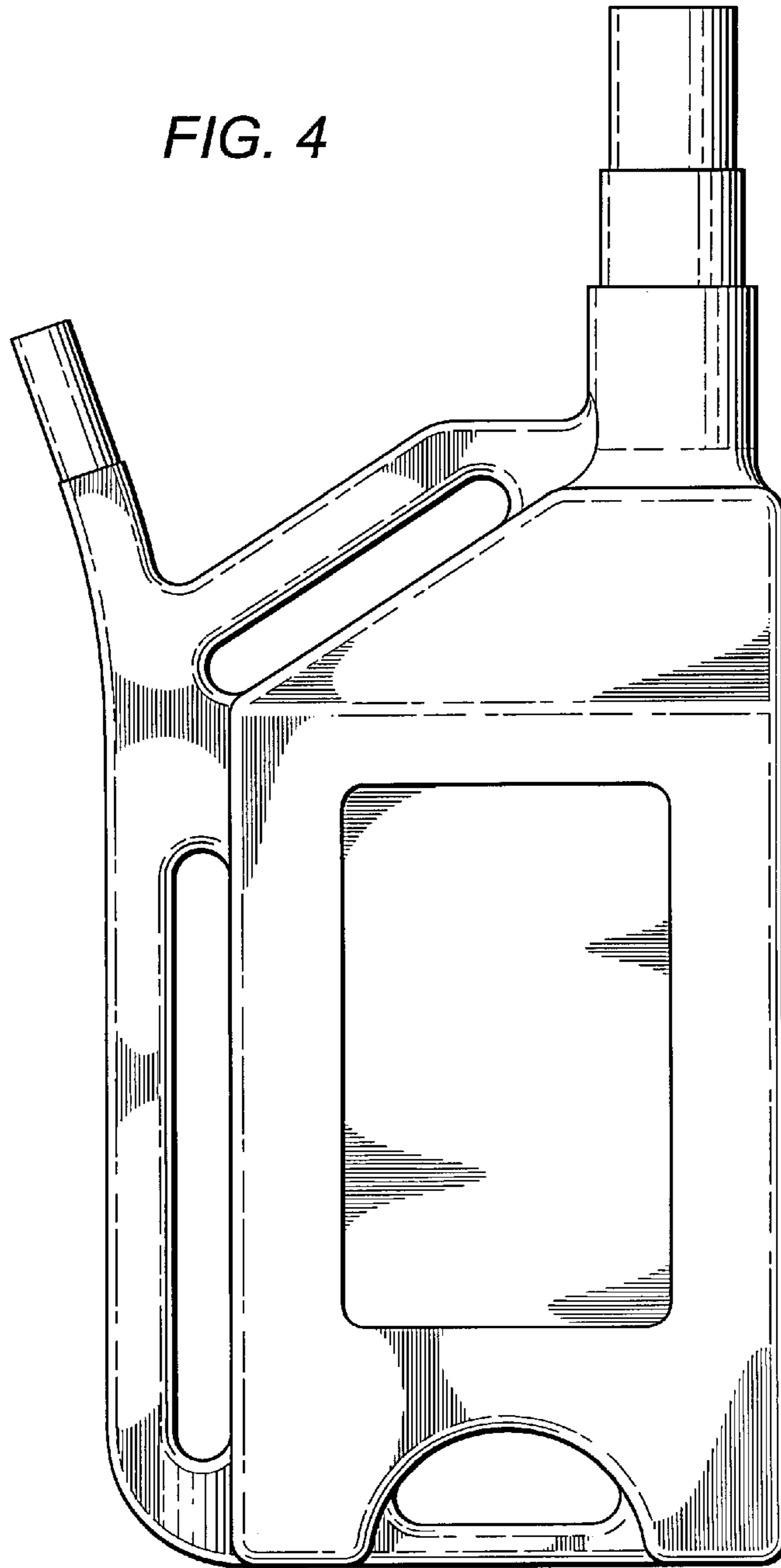


FIG. 5

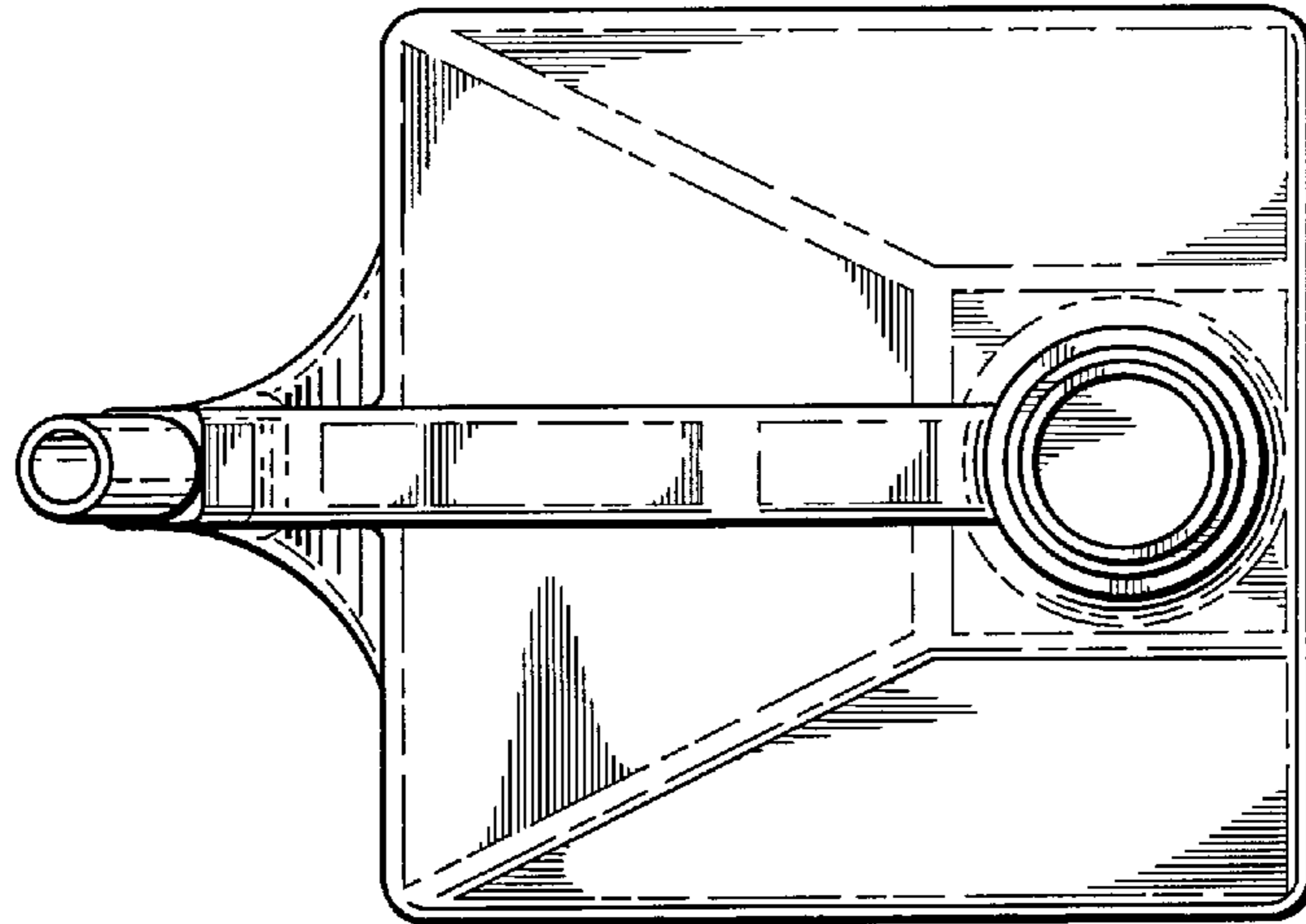


FIG. 6

