



US00D670352S

(12) **United States Design Patent**  
**Norberg et al.**

(10) **Patent No.:** **US D670,352 S**  
(45) **Date of Patent:** **\*\* Nov. 6, 2012**

(54) **K31 RIFLE SCOPE MOUNT**

(75) Inventors: **Kenneth M. Norberg**, Lexington, MO (US); **Keith A. Dinwiddie**, Lexington, MO (US)

(73) Assignee: **Rocksolid Industries LLC**, Lexington, MO (US)

(\*\*) Term: **14 Years**

(21) Appl. No.: **29/401,162**

(22) Filed: **Sep. 8, 2011**

(51) **LOC (9) Cl.** ..... **22-01**

(52) **U.S. Cl.** ..... **D22/109; D22/110; D22/108**

(58) **Field of Classification Search** ..... D22/108-110, D22/199; 42/111, 133, 119, 122; D16/132, D16/130, 133, 330, 134; 359/399, 823, 744  
See application file for complete search history.

(56) **References Cited**

U.S. PATENT DOCUMENTS

D256,830	S	*	9/1980	Bechtel	.....	D22/110
D265,920	S	*	8/1982	Bechtel	.....	D22/109
D274,540	S	*	7/1984	Bechtel	.....	D22/110
D291,470	S	*	8/1987	Bechtel	.....	D22/110
D318,313	S	*	7/1991	Bechtel	.....	D22/110
D318,708	S	*	7/1991	Bechtel	.....	D22/110
5,070,637	A	*	12/1991	French	.....	42/122
5,111,587	A	*	5/1992	Plank	.....	42/127
D383,826	S	*	9/1997	Weigand	.....	D22/110

D548,811	S	*	8/2007	Swan	.....	D22/109
D578,177	S	*	10/2008	Norberg et al.	.....	D22/110
D659,220	S	*	5/2012	Foltz	.....	D22/108
8,205,375	B1	*	6/2012	Swan	.....	42/124
2006/0179703	A1	*	8/2006	Leatherwood	.....	42/124

\* cited by examiner

*Primary Examiner* — Michael A Pratt

(74) *Attorney, Agent, or Firm* — Stinson Morrison Hecker LLP

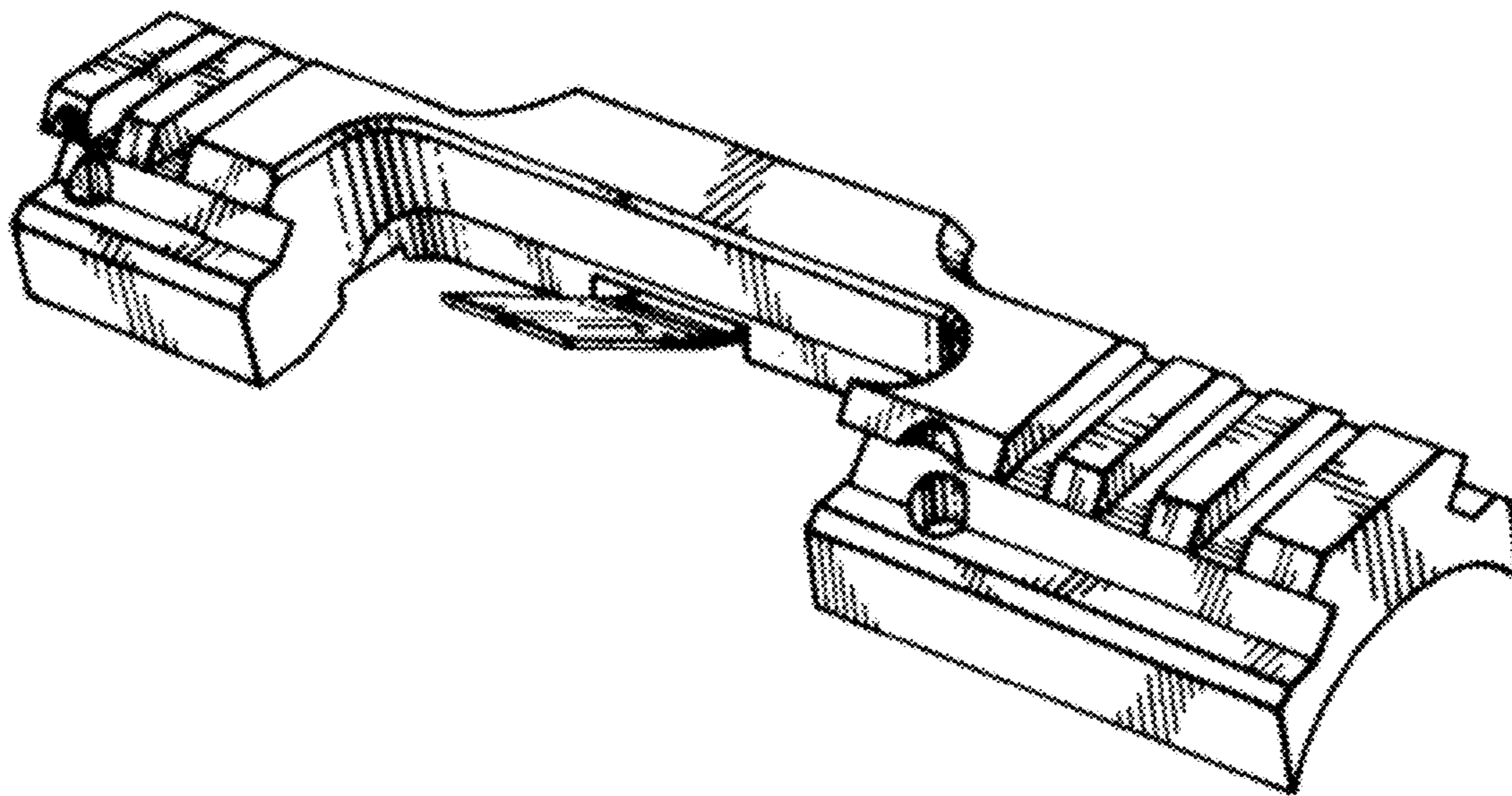
(57) **CLAIM**

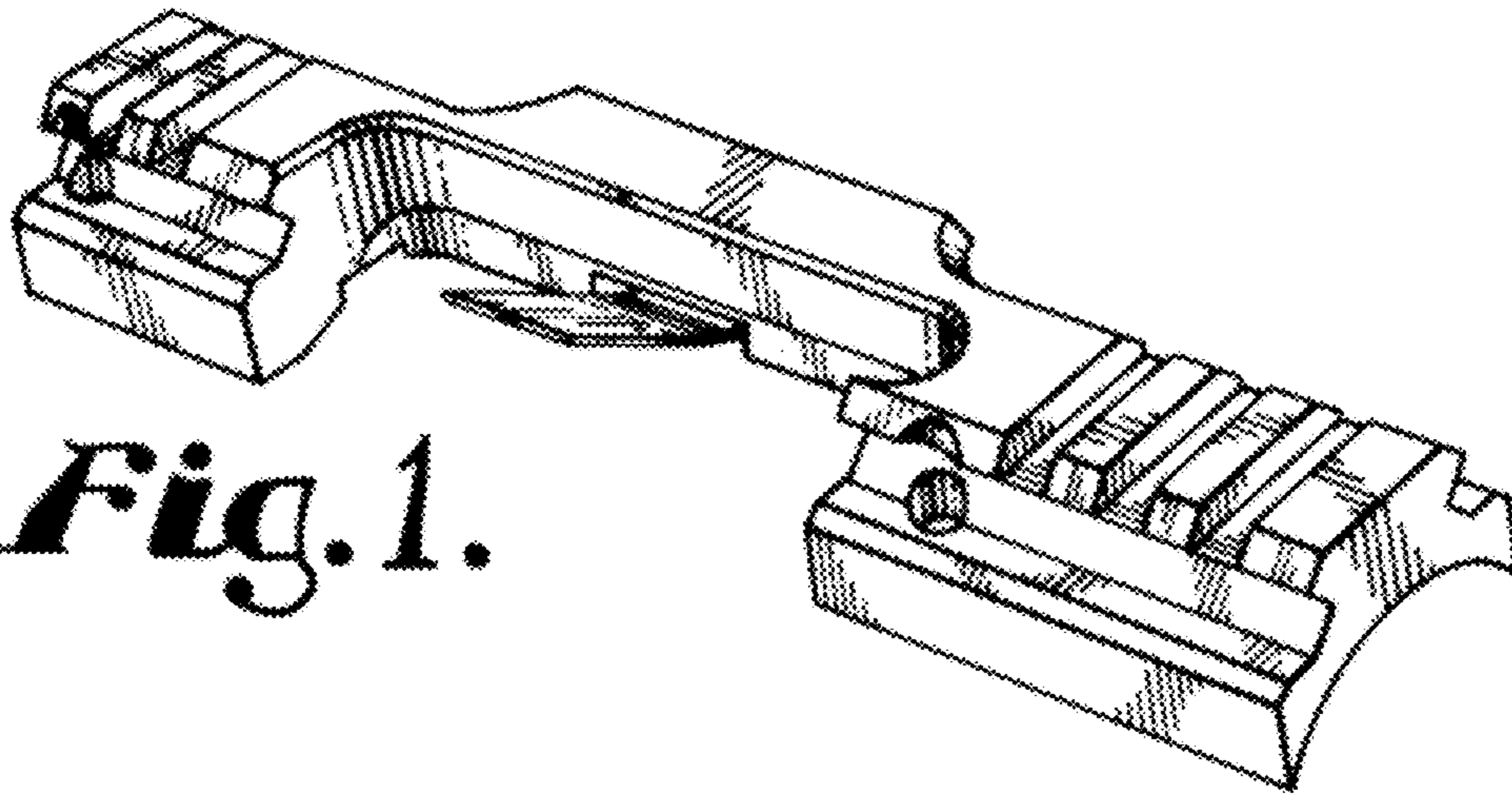
The ornamental design for a K31 rifle scope mount, as shown and described.

**DESCRIPTION**

FIG. 1 is a front perspective view of the K31 rifle scope mount;  
FIG. 2 is a top plan view of the K31 rifle scope mount of FIG. 1;  
FIG. 3 is a rear elevational view of the K31 rifle scope mount of FIG. 1;  
FIG. 4 is a front elevational view of the K31 rifle scope mount of FIG. 1;  
FIG. 5 is a bottom plan view of the K31 rifle scope mount of FIG. 1;  
FIG. 6 is a left side elevational view of the K31 rifle scope mount of FIG. 1; and,  
FIG. 7 is a right side elevational view of the K31 rifle scope mount of FIG. 1.

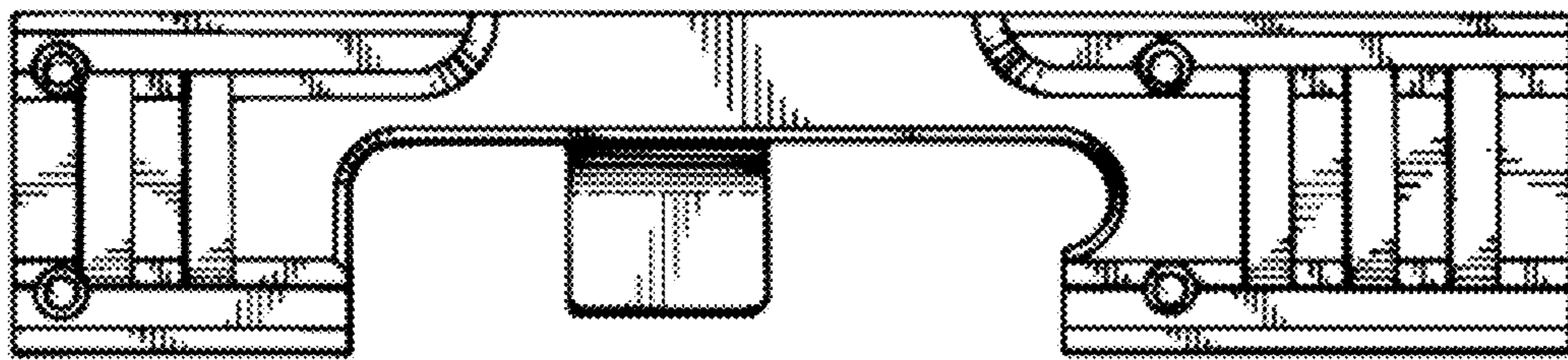
**1 Claim, 2 Drawing Sheets**



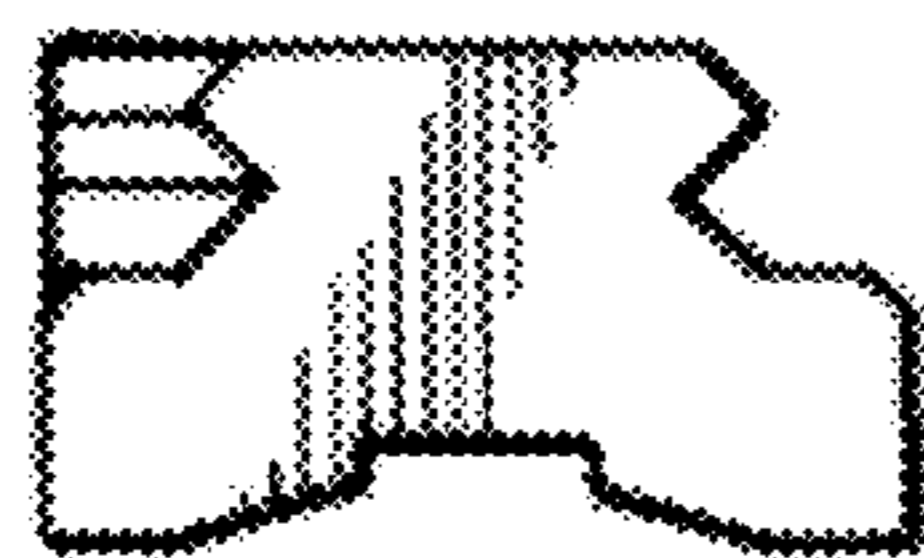


*Fig. 1.*

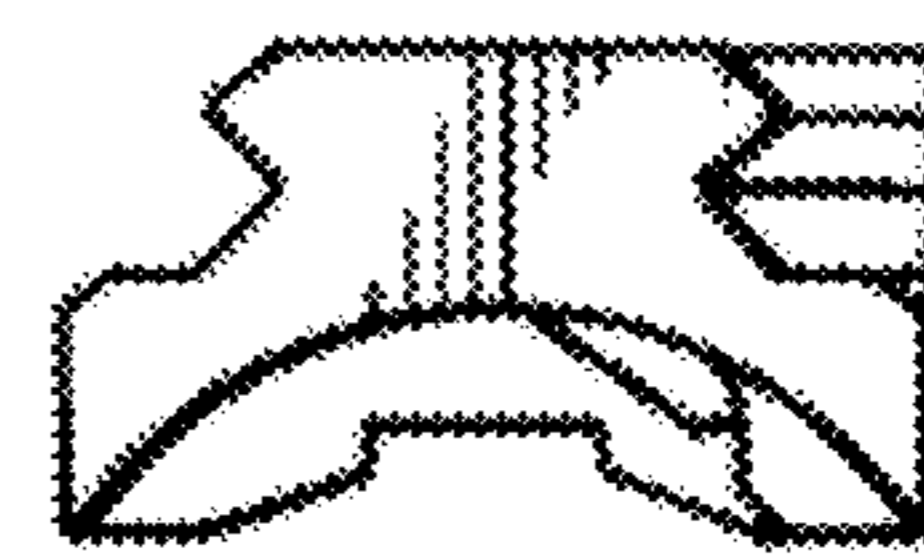
*Fig. 2.*



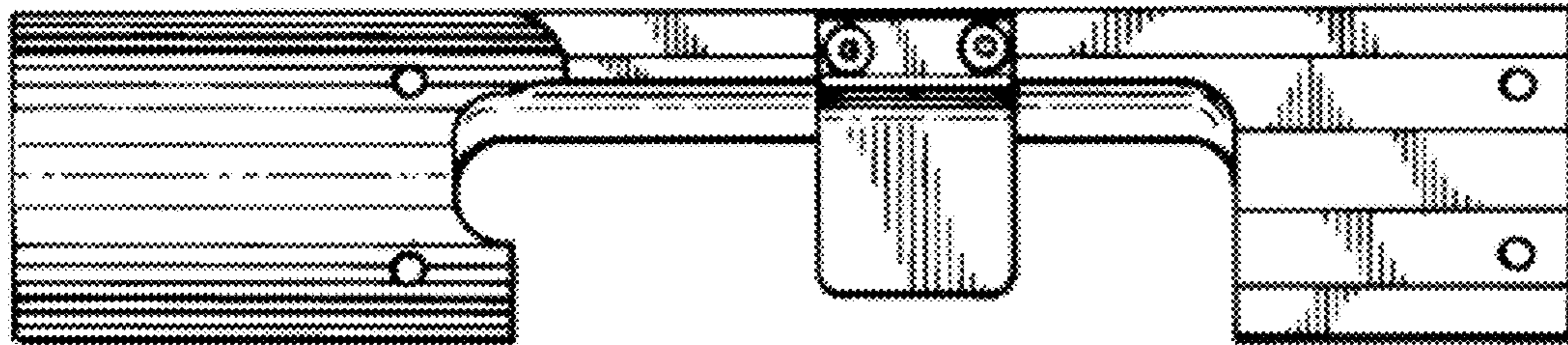
*Fig. 3.*



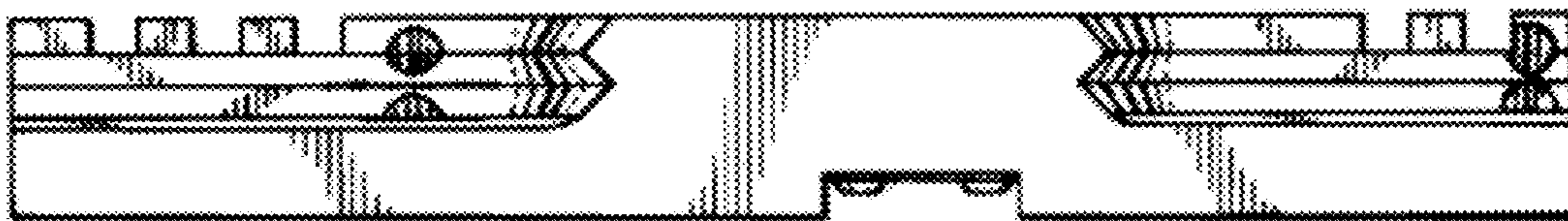
*Fig. 4.*



*Fig. 5.*



*Fig. 6.*



*Fig. 7.*

