



US00D670351S

(12) **United States Design Patent**
Skaggs, Sr.

(10) **Patent No.:** **US D670,351 S**
(45) **Date of Patent:** **** Nov. 6, 2012**

- (54) **TRIGGER BLOCK**
- (75) Inventor: **David B. Skaggs, Sr.**, St. Louis, MO
(US)
- (73) Assignee: **Davirg Products, LLC**
- (**) Term: **14 Years**
- (21) Appl. No.: **29/388,841**
- (22) Filed: **Apr. 2, 2011**
- (51) **LOC (9) Cl.** **22-01**
- (52) **U.S. Cl.** **D22/108**
- (58) **Field of Classification Search** D22/100,
D22/108, 199; 42/44, 66, 70.02, 70.06, 70.07,
42/70.11, 150; 70/58, 63, 202, 211, 312
See application file for complete search history.

5,960,575	A	10/1999	Chiovitt et al.	
6,055,759	A *	5/2000	Langner	42/70.07
6,142,313	A *	11/2000	Young	211/4
6,474,238	B1 *	11/2002	Weinraub	42/70.07
6,601,332	B1 *	8/2003	Riebling	42/70.11
7,266,921	B2	9/2007	McClellan	
7,367,150	B2 *	5/2008	Farchione et al.	42/70.07
2010/0083550	A1 *	4/2010	Ogershok	42/70.06
2010/0095833	A1 *	4/2010	Gavage et al.	89/140
2012/0005935	A1 *	1/2012	Chandler et al.	42/70.11

* cited by examiner

Primary Examiner — Michael A Pratt

(74) *Attorney, Agent, or Firm* — Grace J. Fishel

(57) **CLAIM**

The ornamental design for a trigger block, as shown.

DESCRIPTION

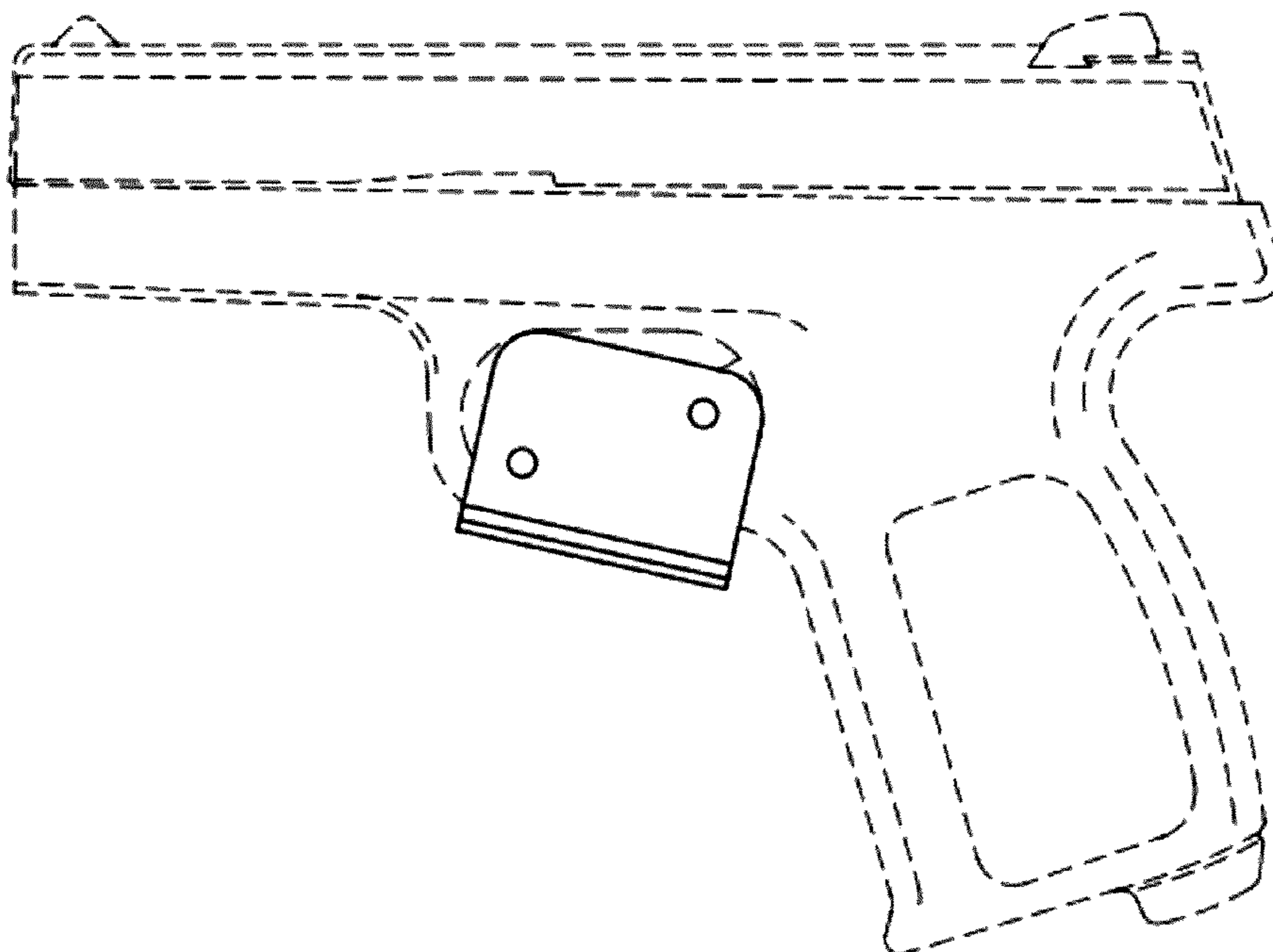
FIG. 1 is a front elevation of a trigger block showing my new design installed on the trigger guard of a firearm, FIG. 2 is a first perspective view thereof in process of being installed on the trigger guard; FIG. 3 is a second perspective view thereof in process of being removed from the trigger guard; FIG. 4 is a top plan view thereof; FIG. 5 is a left end view thereof; FIG. 6 is a rear elevation thereof; FIG. 7 is a right end view thereof; FIG. 8 is a front elevation thereof; FIG. 9 is a bottom plan view thereof; and, FIG. 10 is an inside flattened view thereof. The firearm shown in broken lines in FIGS. 1-3 and tabs shown in FIGS. 4-10 are not part of the design.

1 Claim, 4 Drawing Sheets

(56) **References Cited**

U.S. PATENT DOCUMENTS

2,590,516	A *	3/1952	de Von Breymann	42/70.06
2,882,636	A	4/1959	Shinaver	
3,022,596	A	2/1962	Cannon	
3,616,559	A	11/1971	Sobolewski	
3,956,842	A	5/1976	Ballenger	
4,014,124	A	3/1977	Oberst	
4,198,026	A *	4/1980	Capolupo	248/552
4,934,083	A	6/1990	Smith	
5,033,218	A *	7/1991	Nelson	42/70.07
5,392,551	A	2/1995	Simpson	
5,450,684	A	9/1995	Harris	
5,713,149	A *	2/1998	Cady et al.	42/70.06
5,724,760	A *	3/1998	Langner	42/70.07
5,755,054	A	5/1998	Tuller	



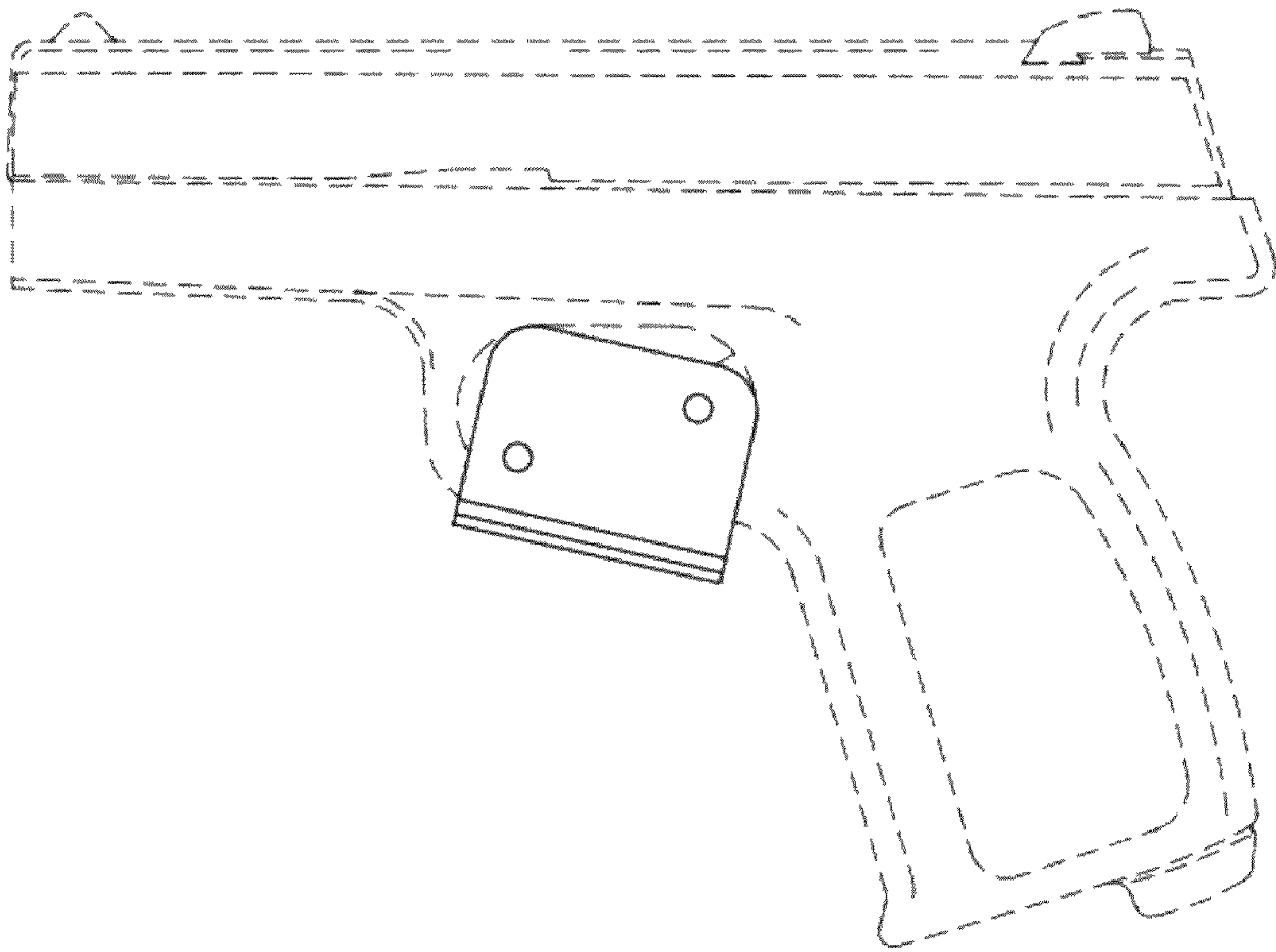


Fig. 1

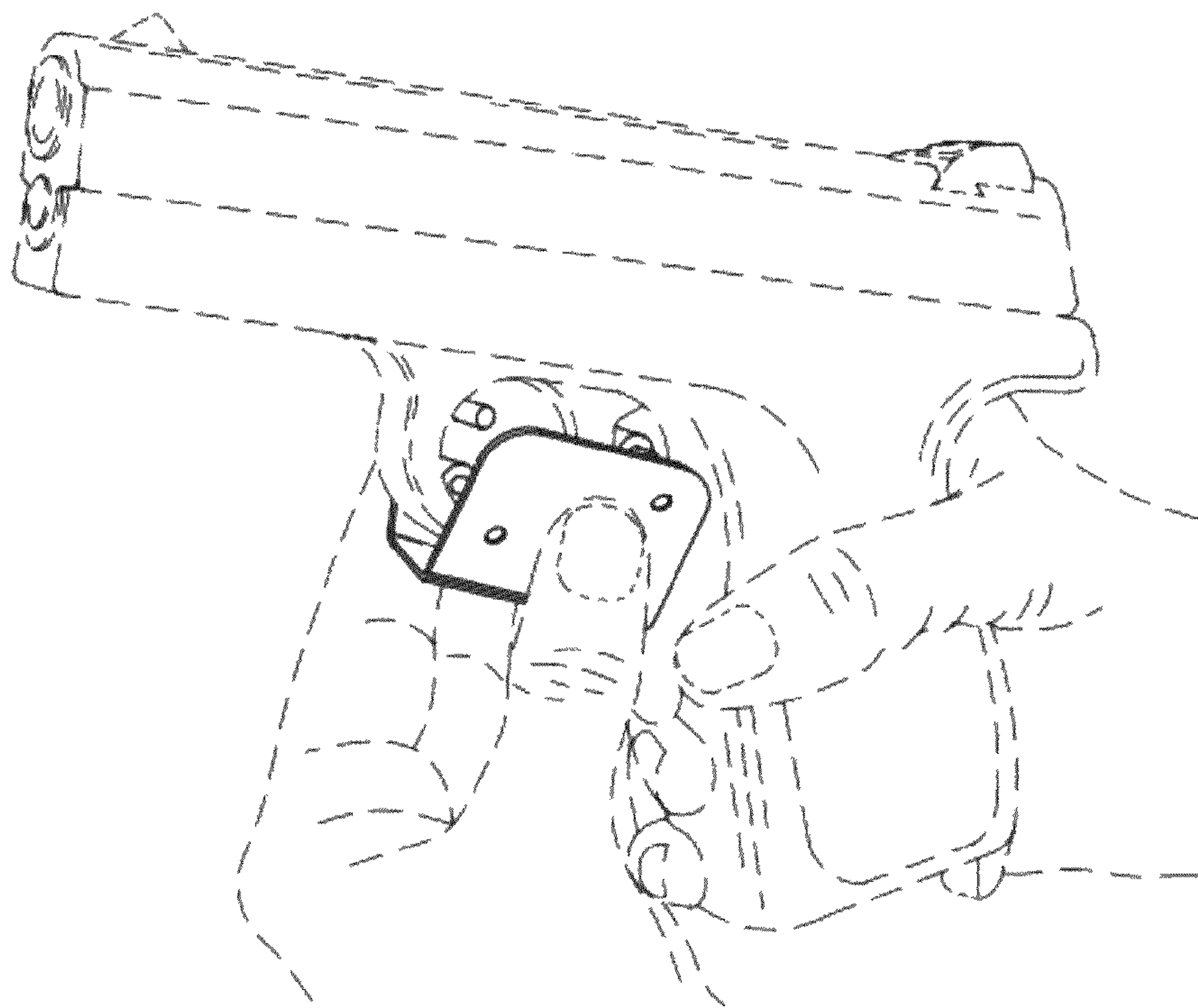


Fig. 2

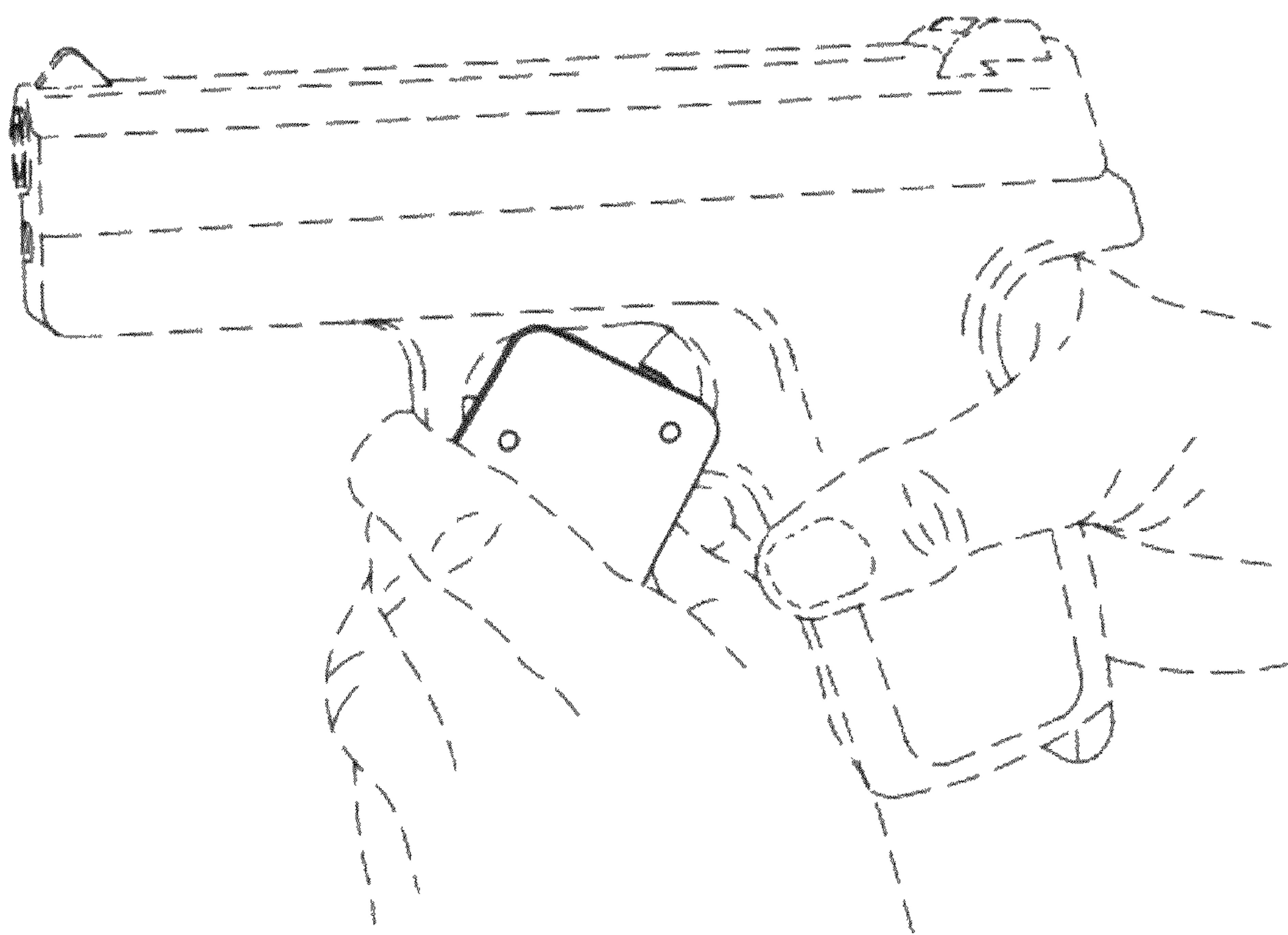


Fig. 3

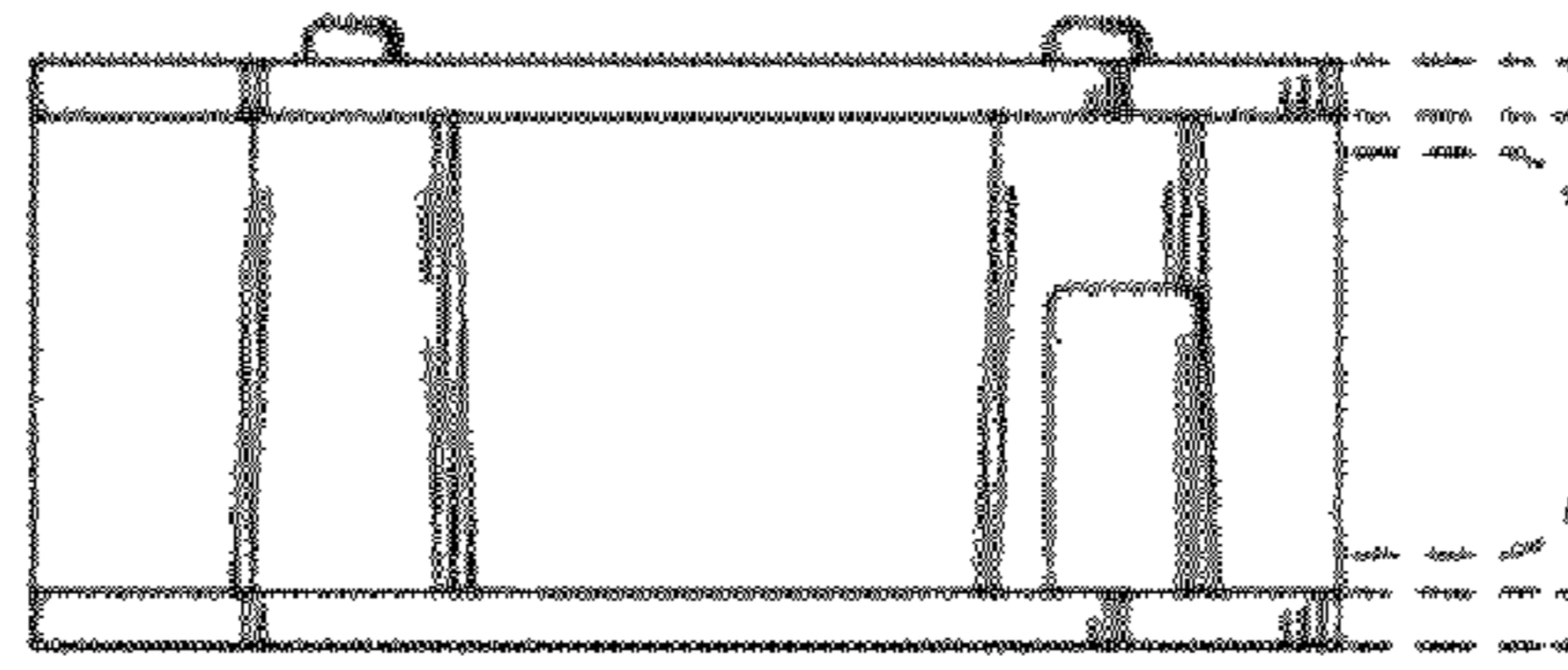


Fig. 4

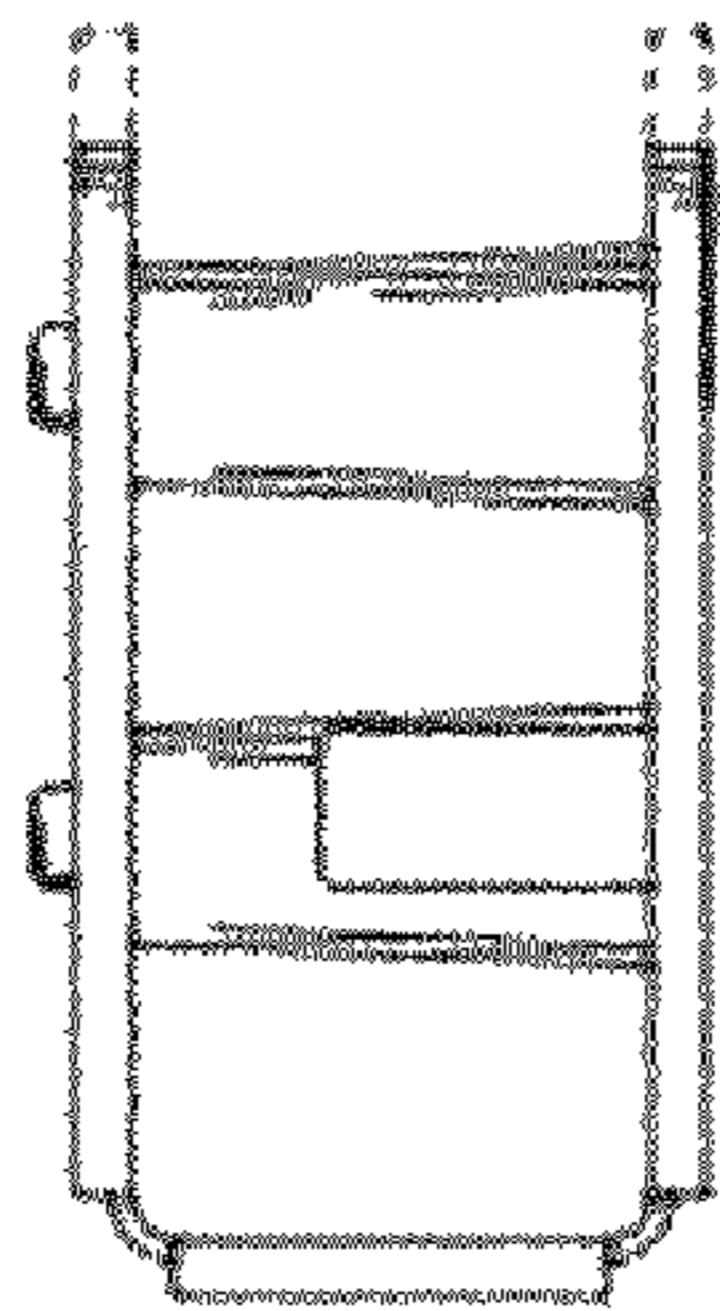


Fig. 5

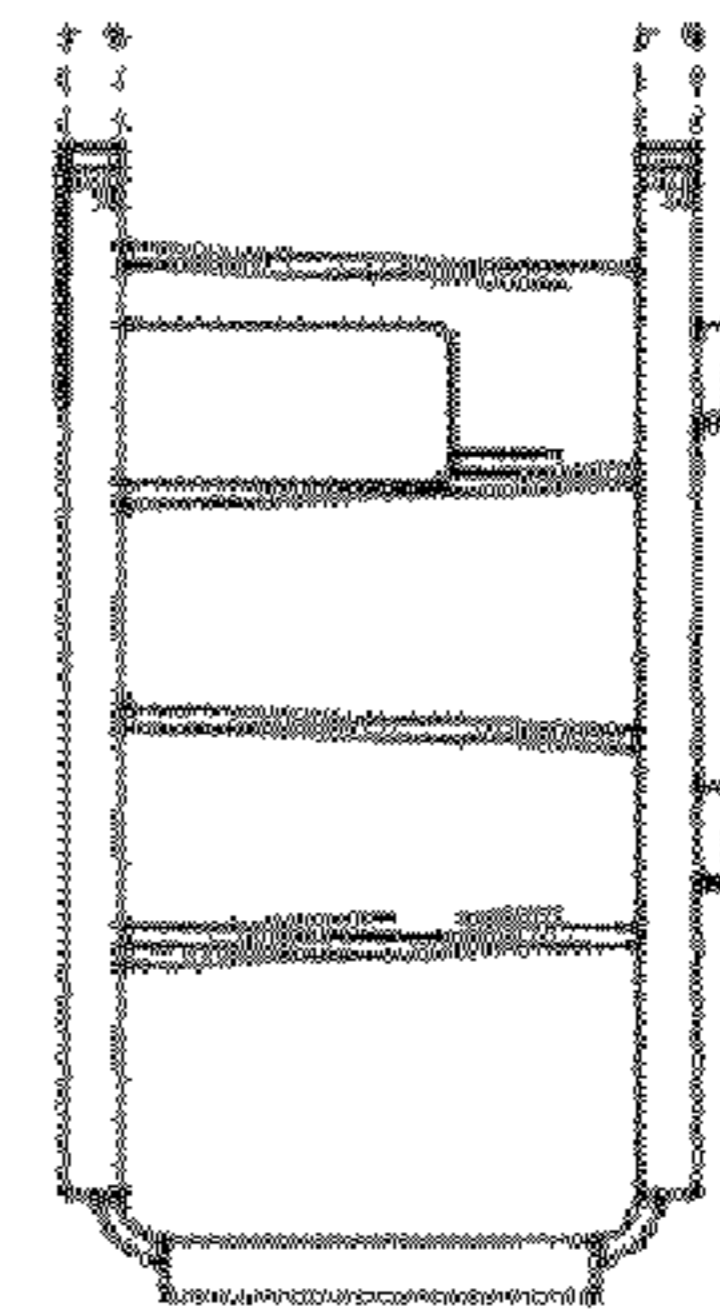


Fig. 7

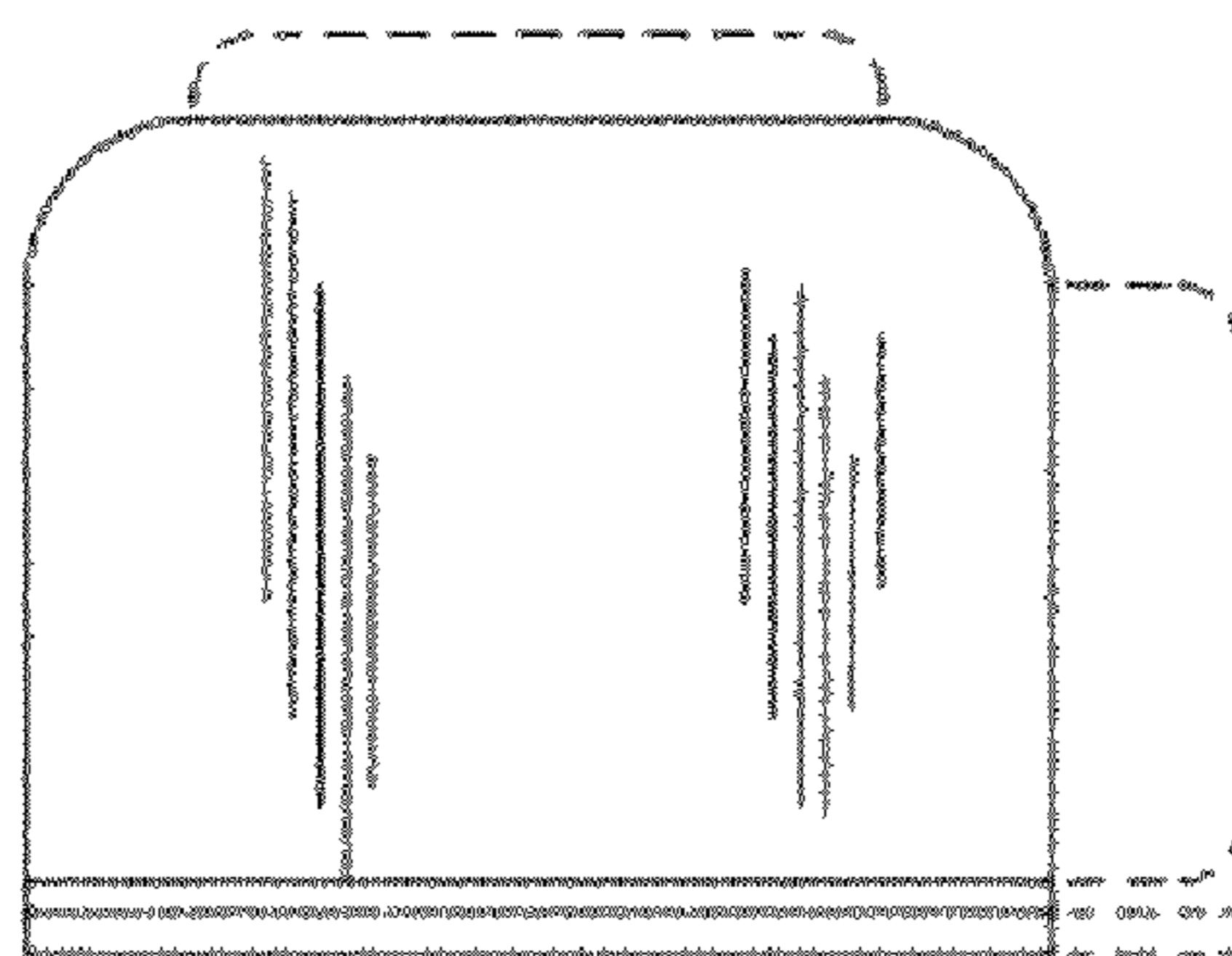


Fig. 6

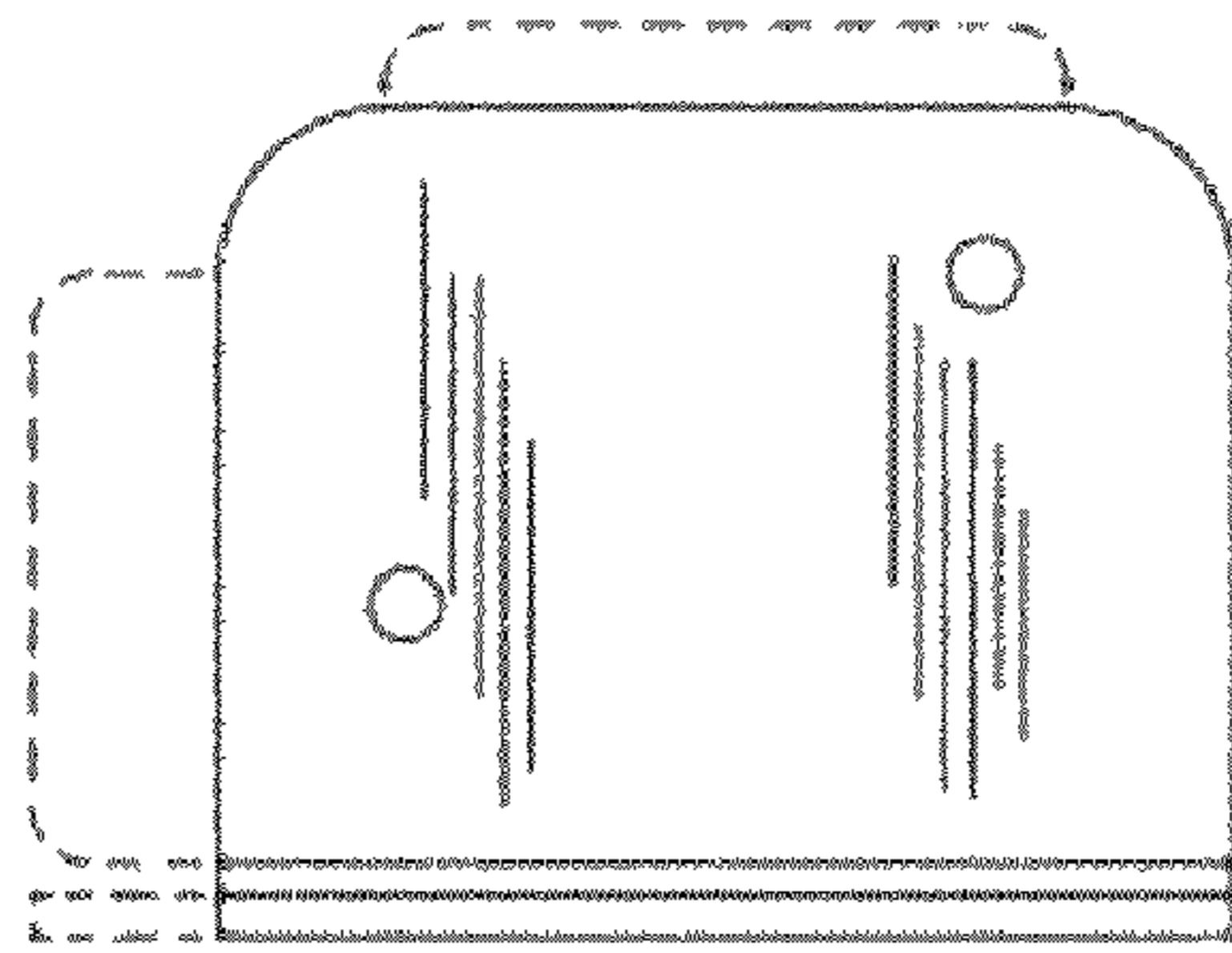


Fig. 8

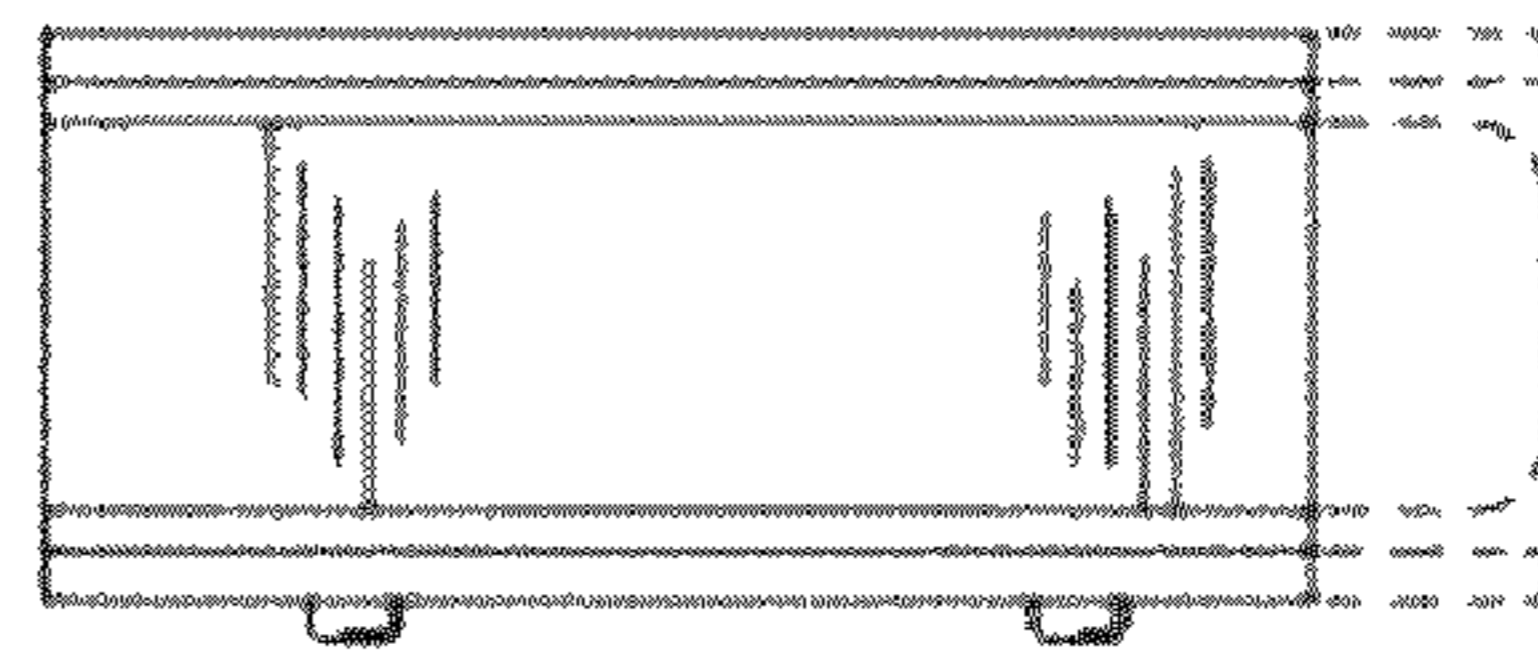


Fig. 9

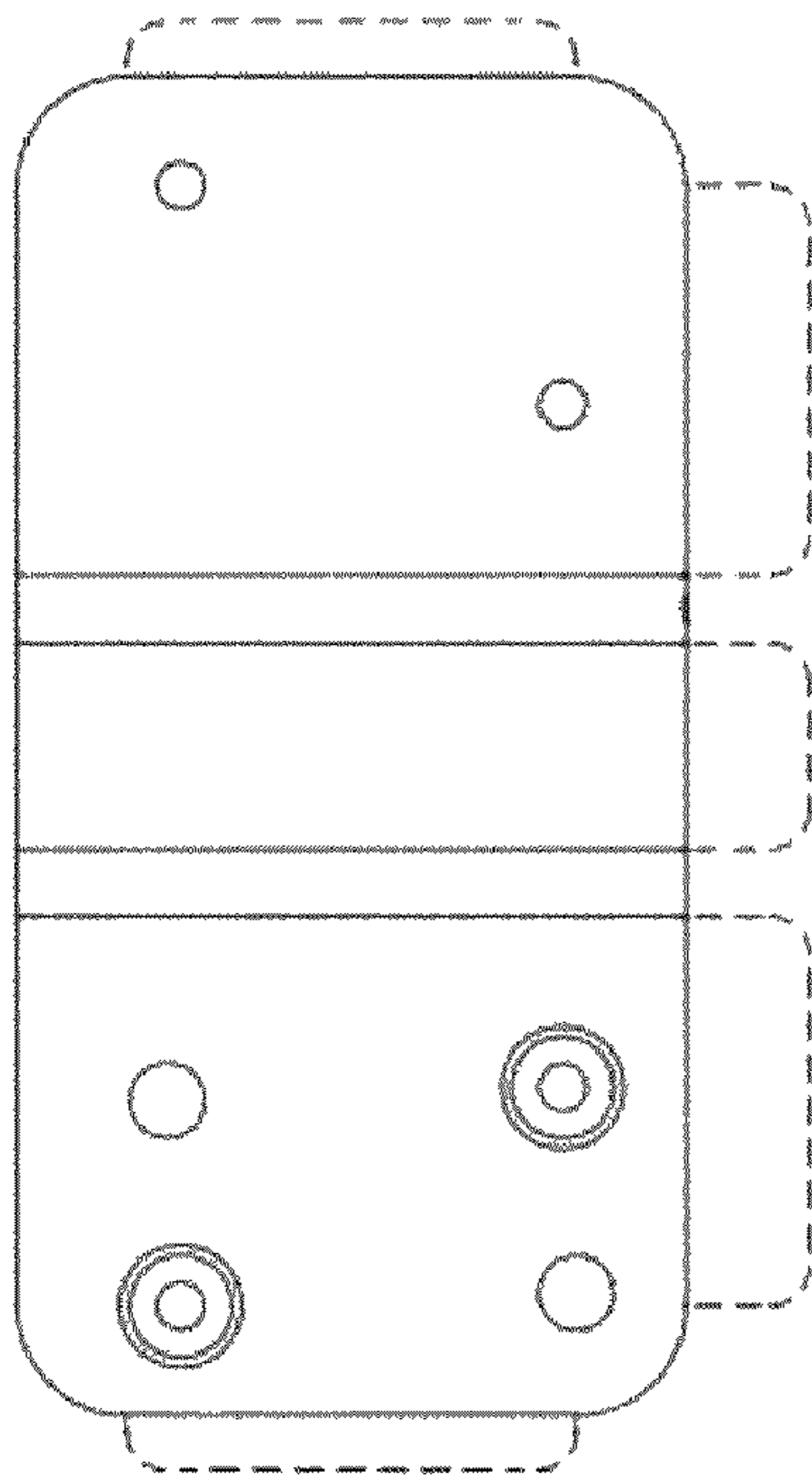


Fig. 10