



US00D670349S

(12) **United States Design Patent**
Felt et al.

(10) **Patent No.:** **US D670,349 S**
(45) **Date of Patent:** **** Nov. 6, 2012**

(54) **HUNTING STABILIZER FOR ARCHERY BOW**

(75) Inventors: **James T. Felt**, Kaysville, UT (US);
Douglas E. Denton, Stansbury Park, UT (US)

(73) Assignee: **Jas D. Easton, Inc.**, Salt Lake City, UT (US)

(**) Term: **14 Years**

(21) Appl. No.: **29/383,919**

(22) Filed: **Jan. 24, 2011**

(51) **LOC (9) Cl.** **22-01**

(52) **U.S. Cl.** **D22/107**

(58) **Field of Classification Search** D22/107,
D22/115-116, 199; 124/16-29, 86-92;
D8/300-307, 400, 499

See application file for complete search history.

(56) **References Cited**

U.S. PATENT DOCUMENTS

3,690,414	A	9/1972	Aggarwal et al.	
4,235,059	A *	11/1980	Wemyss	52/655.1
4,570,608	A	2/1986	Masterfield	
4,615,327	A	10/1986	Saunders	
4,893,606	A	1/1990	Sisko	
5,016,602	A	5/1991	Mizek	
5,109,645	A *	5/1992	Bucci	52/656.4
5,117,580	A *	6/1992	Brown	47/9
5,370,104	A	12/1994	Neie	
5,482,294	A	1/1996	Sullivan et al.	
5,487,375	A	1/1996	McDonald	
5,511,533	A	4/1996	Walker	
5,671,504	A *	9/1997	Gou	16/436
5,735,257	A	4/1998	Walk	
5,860,538	A *	1/1999	Duero et al.	211/123
5,975,070	A	11/1999	Sands	
6,186,135	B1	2/2001	Harwath et al.	
6,216,413	B1 *	4/2001	Lapointe	52/849
6,428,433	B1	8/2002	Liechty, II	
6,540,628	B1	4/2003	Musacchia, Jr.	

6,718,964	B1	4/2004	Graf	
6,997,174	B2	2/2006	Sandberg	
7,410,187	B2 *	8/2008	Hartenstine et al.	280/643
D576,722	S *	9/2008	Nishio et al.	D23/393
7,600,299	B2 *	10/2009	Hendrickson	16/444
7,644,743	B2 *	1/2010	Fenton et al.	150/115
7,793,645	B2	9/2010	Walk et al.	
D637,749	S *	5/2011	Bayat et al.	D26/49
8,025,455	B2 *	9/2011	Huang et al.	403/322.4
2001/0025636	A1	10/2001	Harwath et al.	
2002/0104526	A1	8/2002	Chipman	
2003/0009853	A1 *	1/2003	Kuo	16/405
2006/0113046	A1 *	6/2006	Prince et al.	160/236
2006/0283435	A1	12/2006	Pellerite	
2007/0151553	A1	7/2007	Leven	
2008/0023594	A1 *	1/2008	Weder	248/27.8
2009/0107788	A1 *	4/2009	Lin	190/115
2010/0078454	A1 *	4/2010	Sautter et al.	224/315
2010/0095480	A1 *	4/2010	Scicluna	16/113.1

(Continued)

OTHER PUBLICATIONS

Innerloc internet articles on blade alignment technology (6 pages),
www.innerloc.com; date unknown, printed Dec. 21, 2010.

(Continued)

Primary Examiner — Michael A Pratt

(74) *Attorney, Agent, or Firm* — Holland & Hart LLP

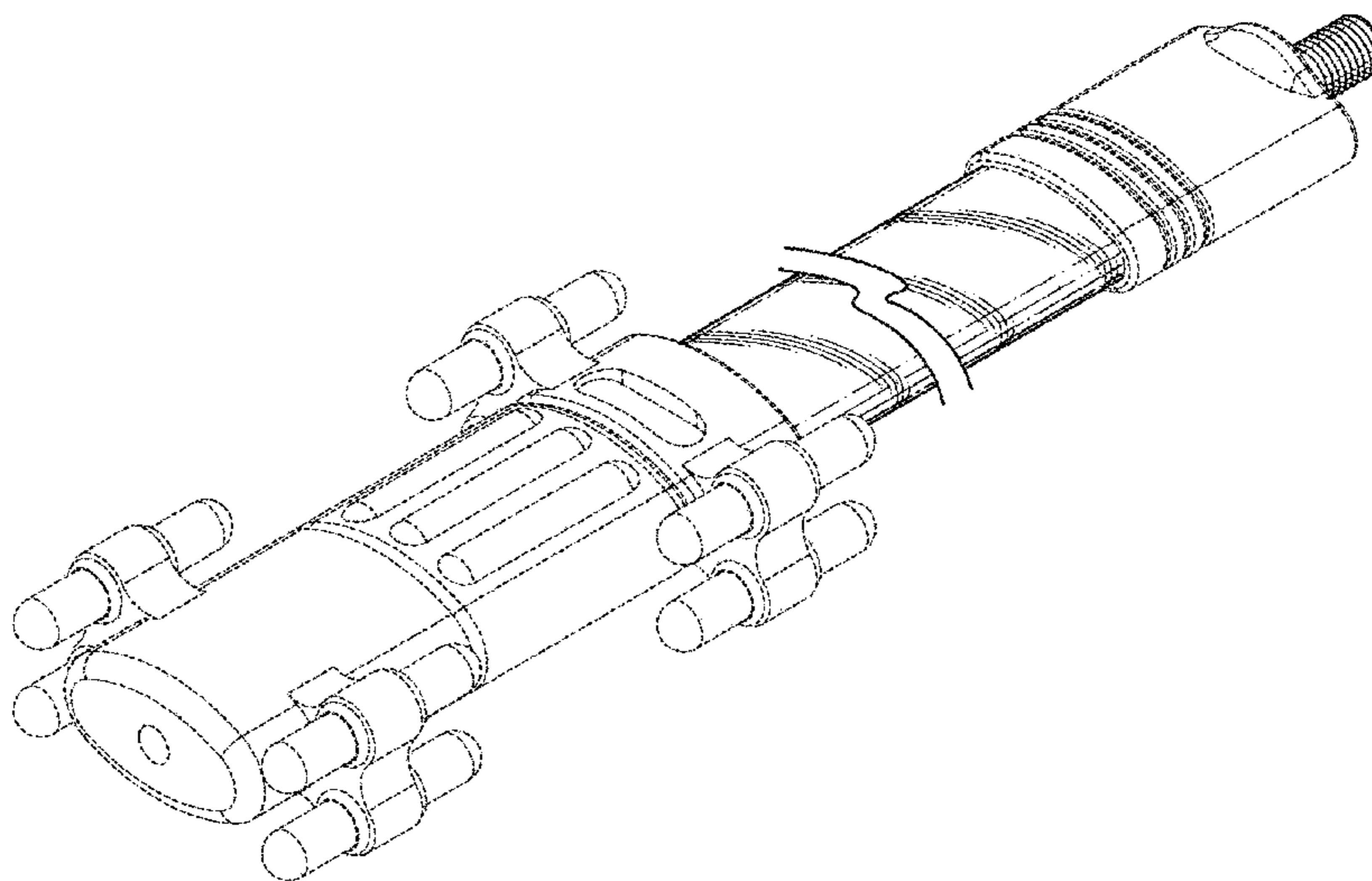
(57) **CLAIM**

The ornamental design for a “hunting stabilizer for archery bow,” as shown and described.

DESCRIPTION

FIG. 1 is a top perspective view of a “hunting stabilizer for archery bow” according to the present invention;
FIG. 2 is a bottom perspective view thereof;
FIG. 3 is a top/bottom view thereof;
FIG. 4 is a right/left elevation view thereof; and,
FIG. 5 is a section view, taken along the line 5-5 of FIG. 3, thereof.

1 Claim, 3 Drawing Sheets



US D670,349 S

Page 2

U.S. PATENT DOCUMENTS

2011/0139841 A1* 6/2011 Sautter et al. 224/324
2011/0239401 A1* 10/2011 Scicluna 16/113.1
2012/0012723 A1* 1/2012 Mansfield 248/230.8

OTHER PUBLICATIONS

Tasa Newsletter dated Winter 2005 and photographs of Tasa stabilizer, (6 pages).

* cited by examiner

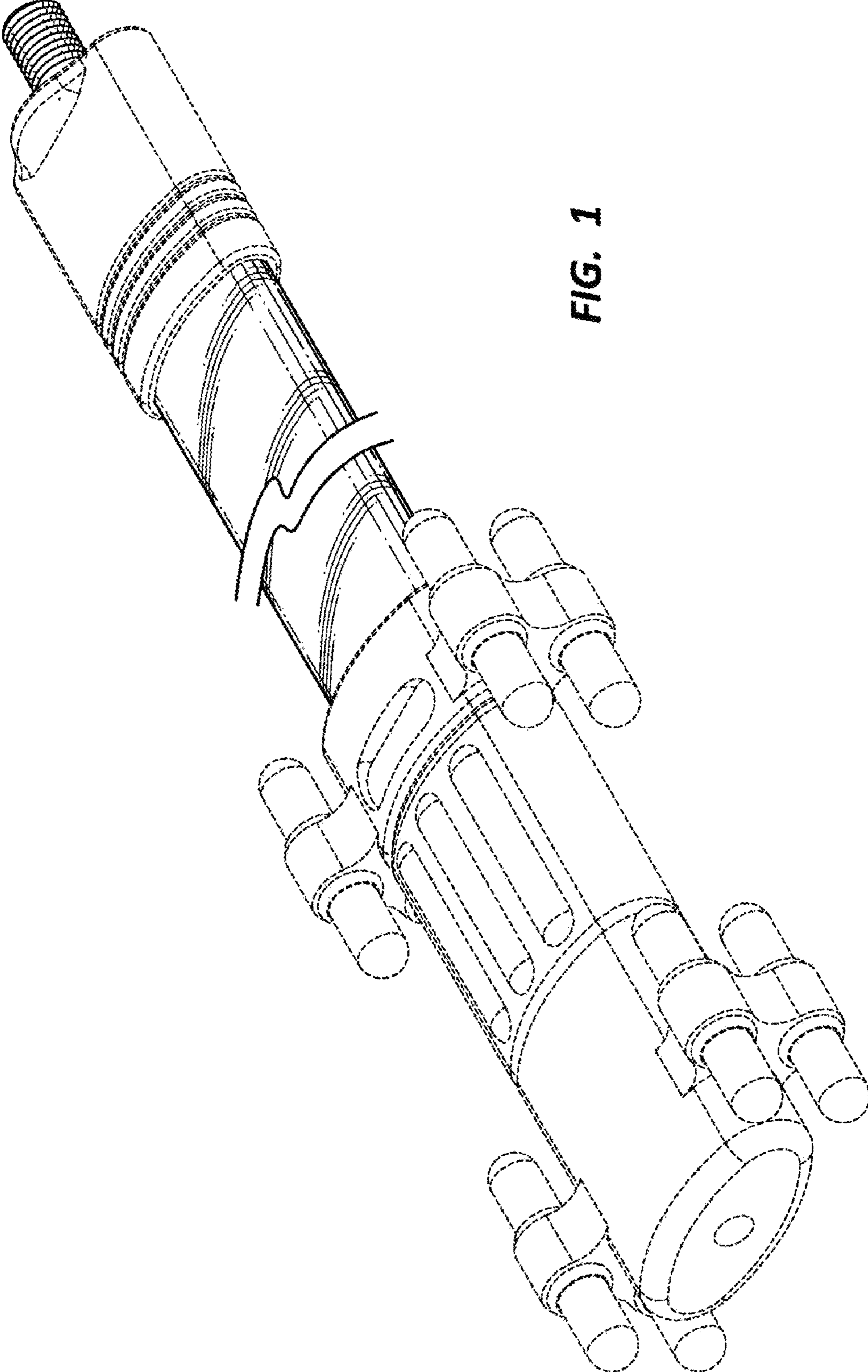


FIG. 1

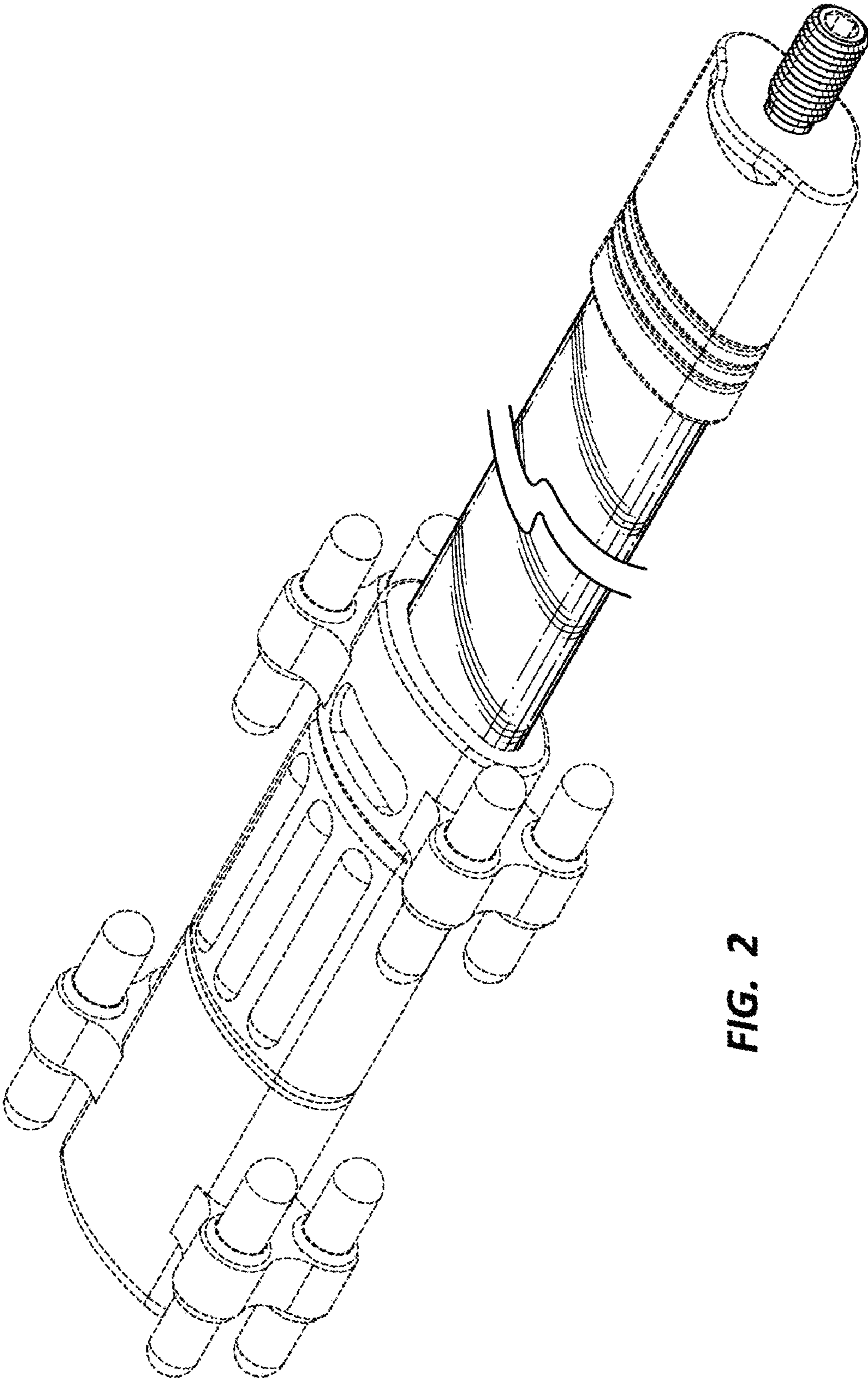


FIG. 2

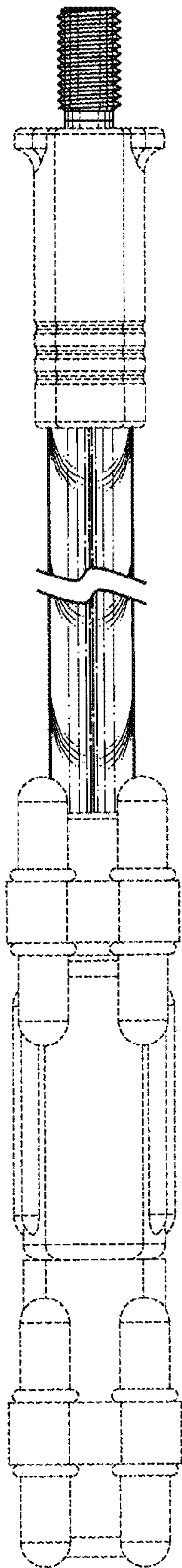


FIG. 4

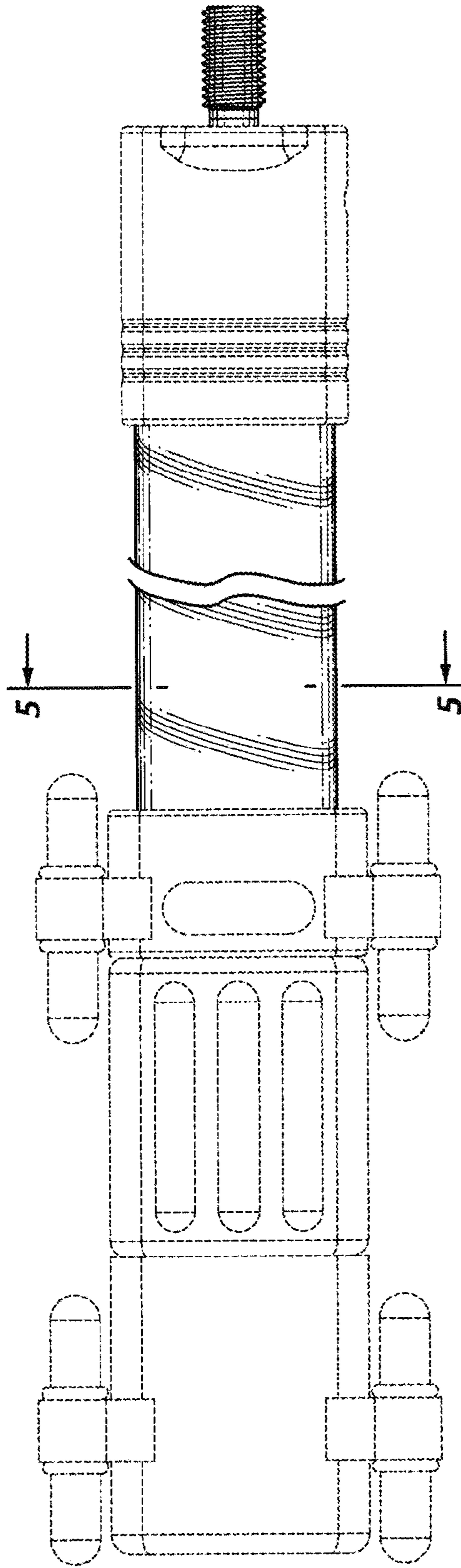


FIG. 3

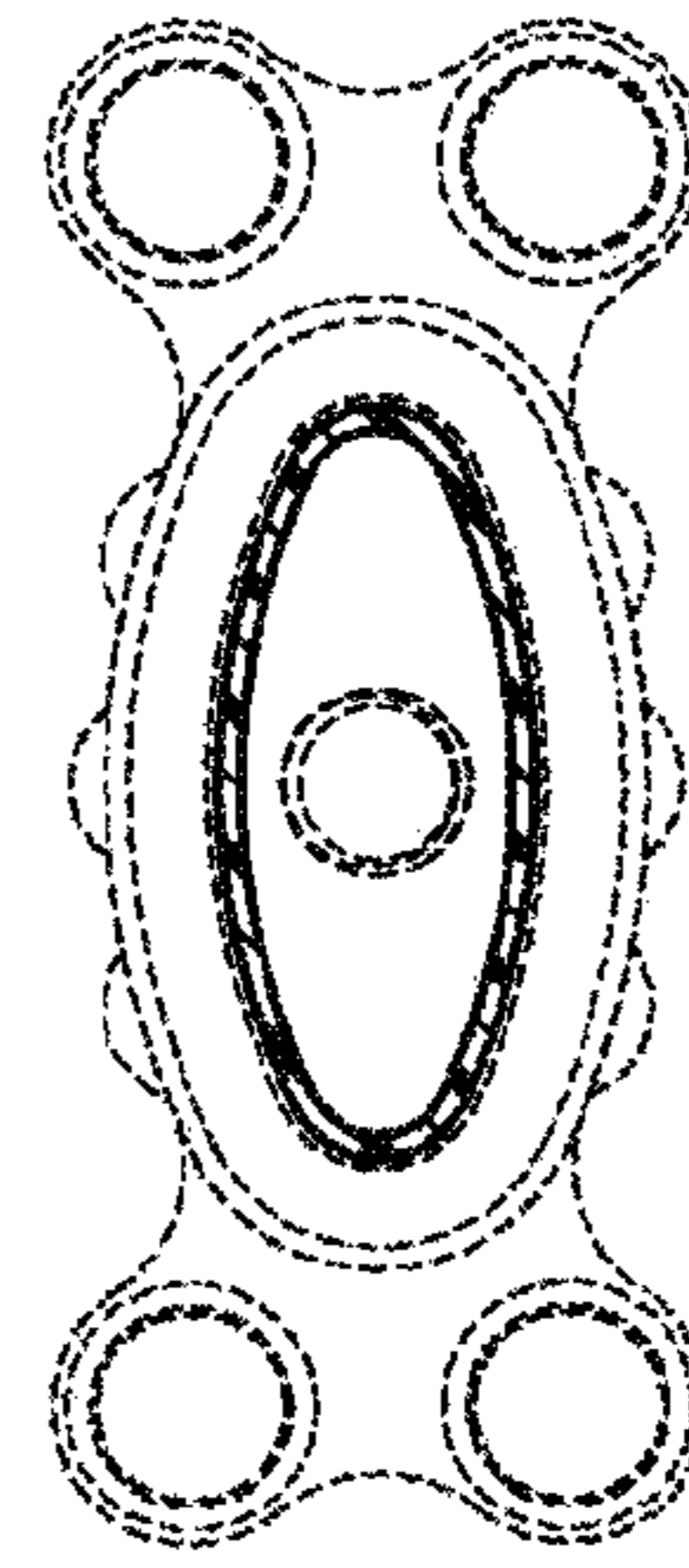


FIG. 5