

US00D670343S

(12) **United States Design Patent**
Byford

(10) **Patent No.:** **US D670,343 S**

(45) **Date of Patent:** **** *Nov. 6, 2012**

(54) **MAGNETIC SIGN HOLDER**

(76) Inventor: **Amanda J. Byford**, Houston, TX (US)

(*) Notice: This patent is subject to a terminal disclaimer.

(**) Term: **14 Years**

(21) Appl. No.: **29/405,821**

(22) Filed: **Nov. 7, 2011**

Related U.S. Application Data

(63) Continuation-in-part of application No. 29/381,772, filed on Dec. 22, 2010.

(51) **LOC (9) Cl.** **20-02**

(52) **U.S. Cl.** **D20/43**

(58) **Field of Classification Search** D20/10,
D20/13, 15, 19, 42-44, 99; 40/299.01, 312,
40/575, 605, 642.01, 642.02, 643, 646-648,
40/649-653, 654.01, 655, 658, 661, 661.01-661.09,
40/611.11, 611.12, 700, 711, 750, 765
See application file for complete search history.

(56) **References Cited**

U.S. PATENT DOCUMENTS

519,256	A *	5/1894	Greene	40/651
822,354	A	6/1906	Duncan		
2,269,535	A	1/1942	Keck		
D202,759	S	11/1965	Fisher		
3,293,779	A	12/1966	Vogeli		
3,321,855	A *	5/1967	Phelps	40/651
3,510,975	A *	5/1970	Lowmaster	40/591
4,531,312	A *	7/1985	Stoddart	40/649
4,729,183	A *	3/1988	Tarter et al.	40/766
D303,403	S	9/1989	Barcom		
4,955,153	A	9/1990	Albrecht		
5,077,925	A	1/1992	Herrera et al.		
5,241,768	A	9/1993	Thompson		
5,771,619	A	6/1998	Wells		

D399,264	S	10/1998	Klink		
6,446,375	B1	9/2002	Davis		
6,449,889	B1	9/2002	Hottenstein		
D473,268	S	4/2003	Mosher et al.		
6,748,682	B1	6/2004	Sims		
7,131,224	B1	11/2006	Elliot et al.		
D540,393	S	4/2007	Longo		
D609,753	S *	2/2010	Dukes et al.	D20/43
D655,348	S *	3/2012	Cooper	D20/43
2011/0225861	A1 *	9/2011	Anzalone	40/661
2011/0232145	A1 *	9/2011	Fleming	40/644

* cited by examiner

Primary Examiner — Mary Ann Calabrese

(74) *Attorney, Agent, or Firm* — Andrew W. Chu; Craft Chu PLLC

(57) **CLAIM**

The ornamental design for a magnetic sign holder, as shown and described.

DESCRIPTION

FIG. 1 is an upper perspective view of the magnetic sign holder showing my design.

FIG. 2 is a front elevation view thereof;

FIG. 3 is a back elevation view thereof;

FIG. 4 is a side elevation view thereof;

FIG. 5 is an opposite side view thereof;

FIG. 6 is a top plan view thereof;

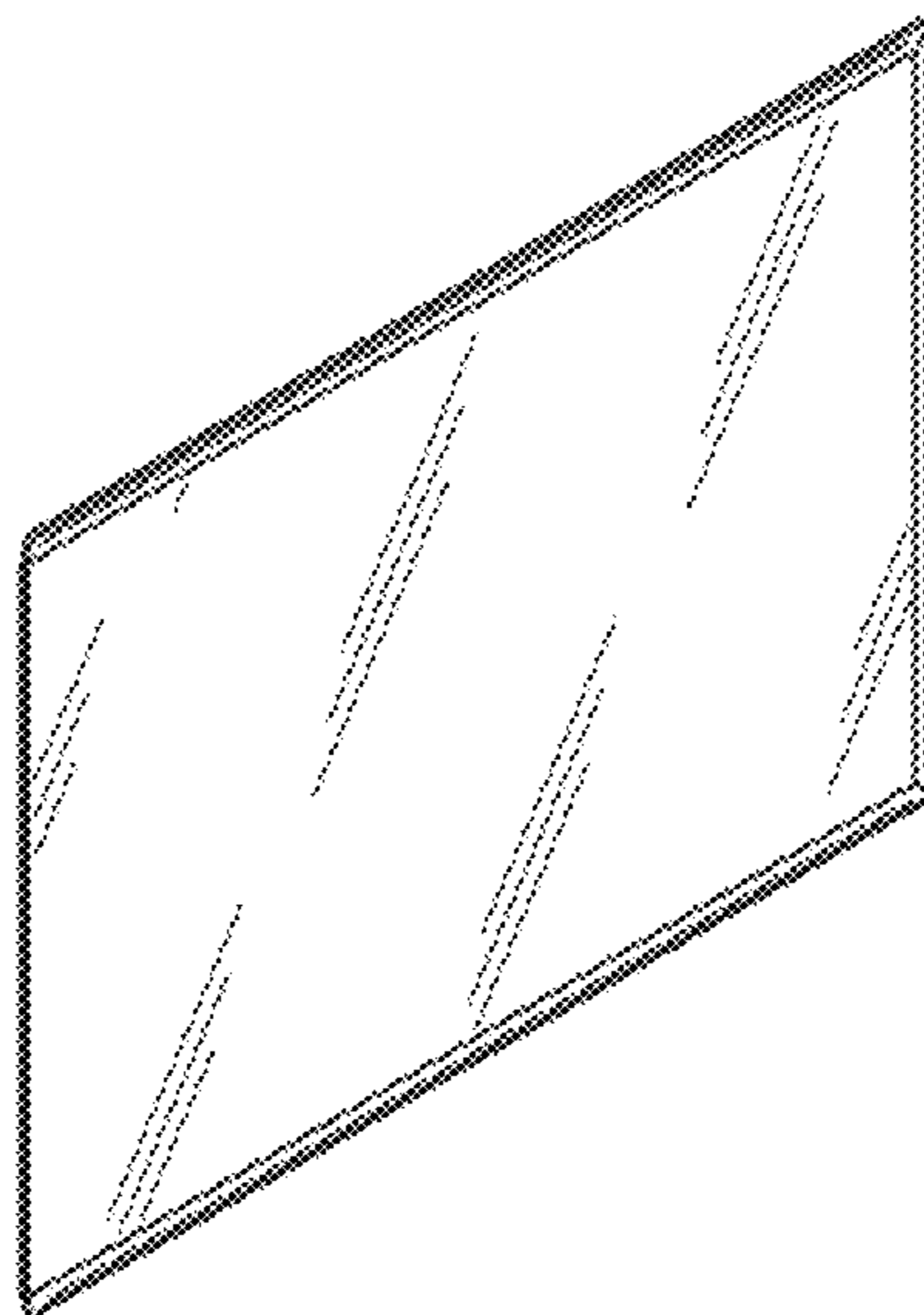
FIG. 7 is a bottom plan view thereof;

FIG. 8 is still another upper perspective view thereof, showing an open position of a tab portion

FIG. 9 is a second embodiment of FIG. 1, the only difference being the dimensions of width and length, it being understood that all other views of surfaces are the same as those of the first embodiment with corresponding dimensions; and,

FIG. 10 is a third embodiment of FIG. 1, the only difference being the dimensions of width and length, it being understood that all other views of surfaces are the same as those of the first embodiment with corresponding dimensions.

1 Claim, 4 Drawing Sheets



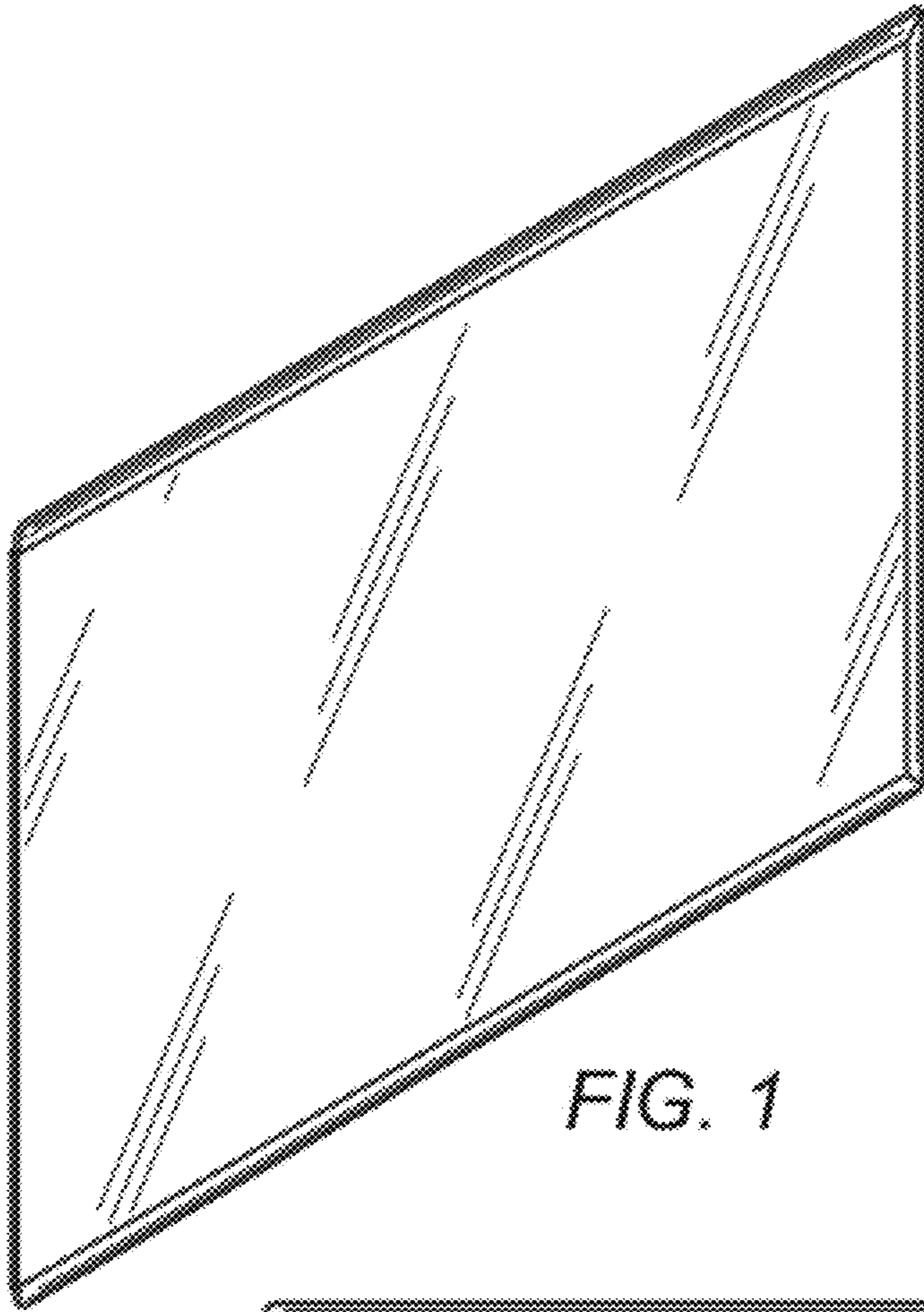


FIG. 1

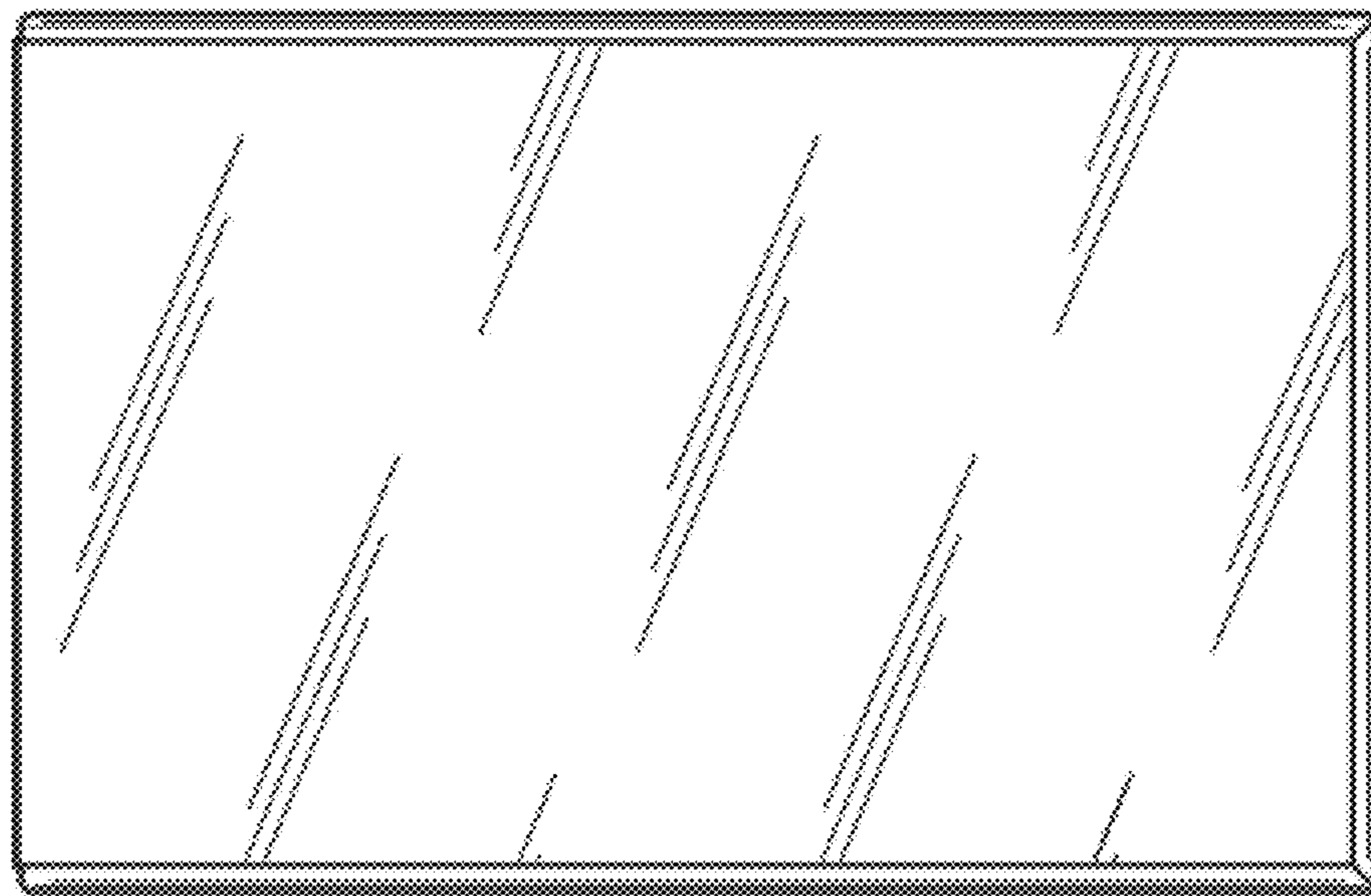


FIG. 2

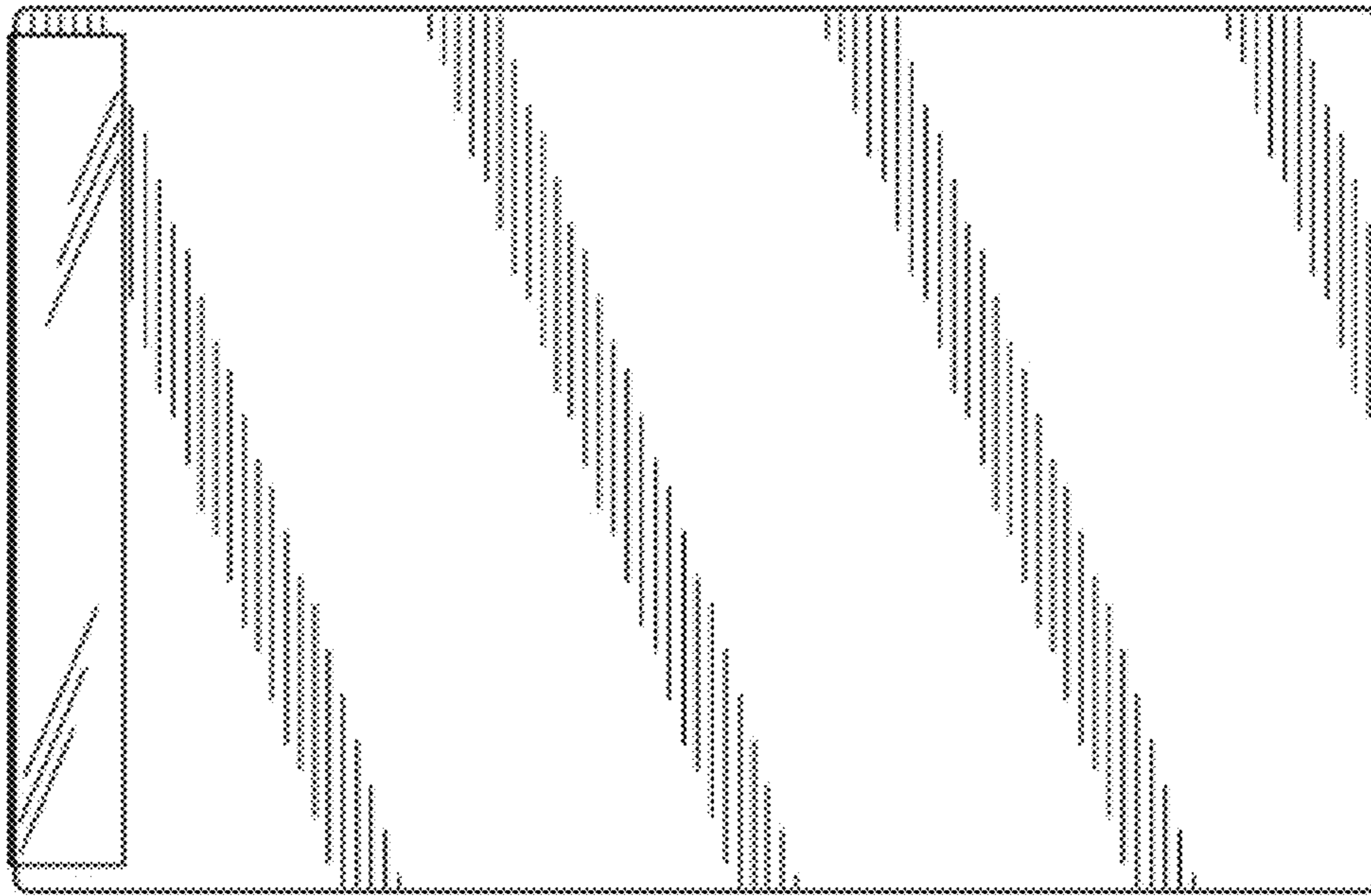


FIG. 3



FIG. 4



FIG. 5



FIG. 6



FIG. 7

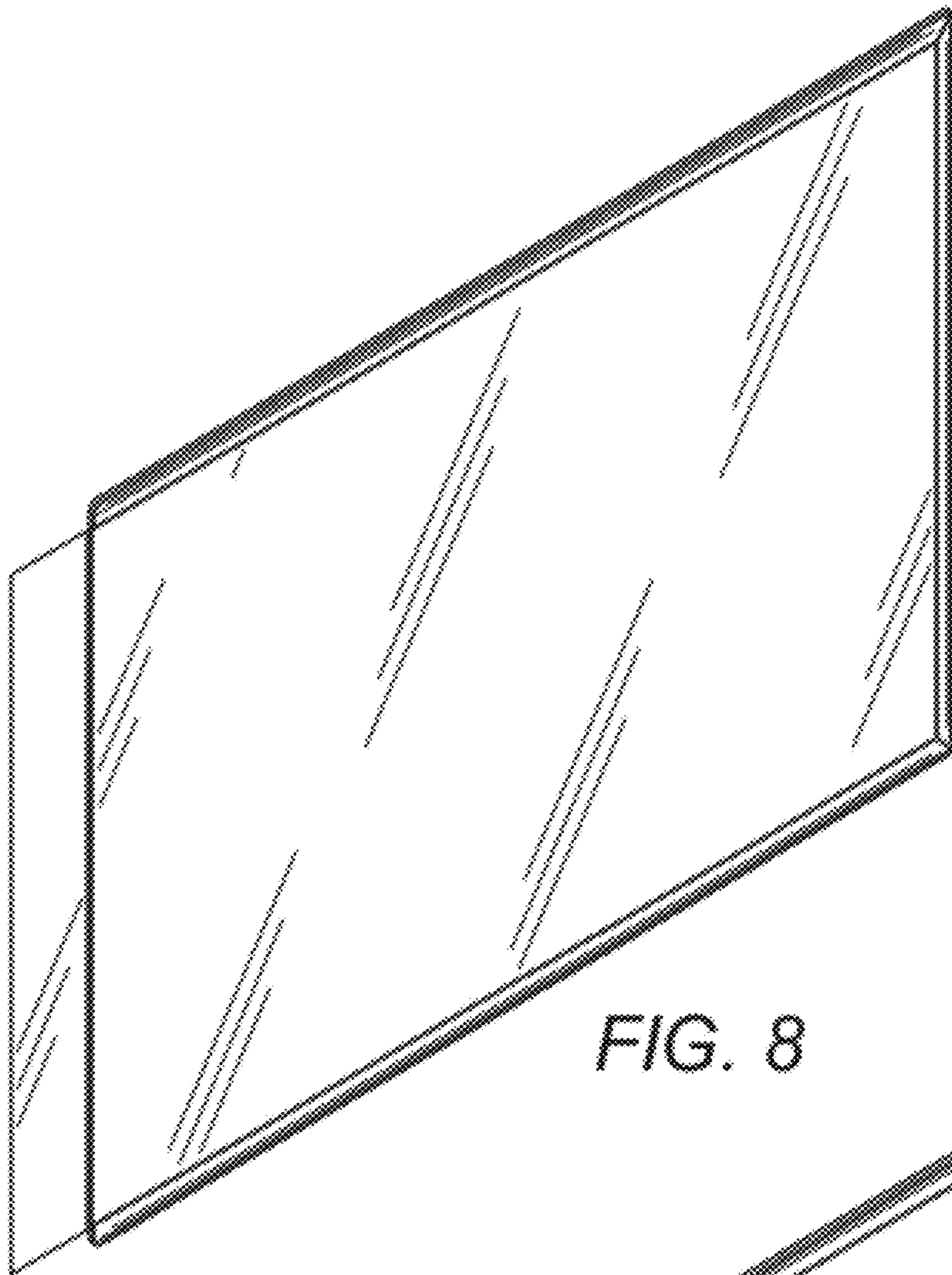


FIG. 8

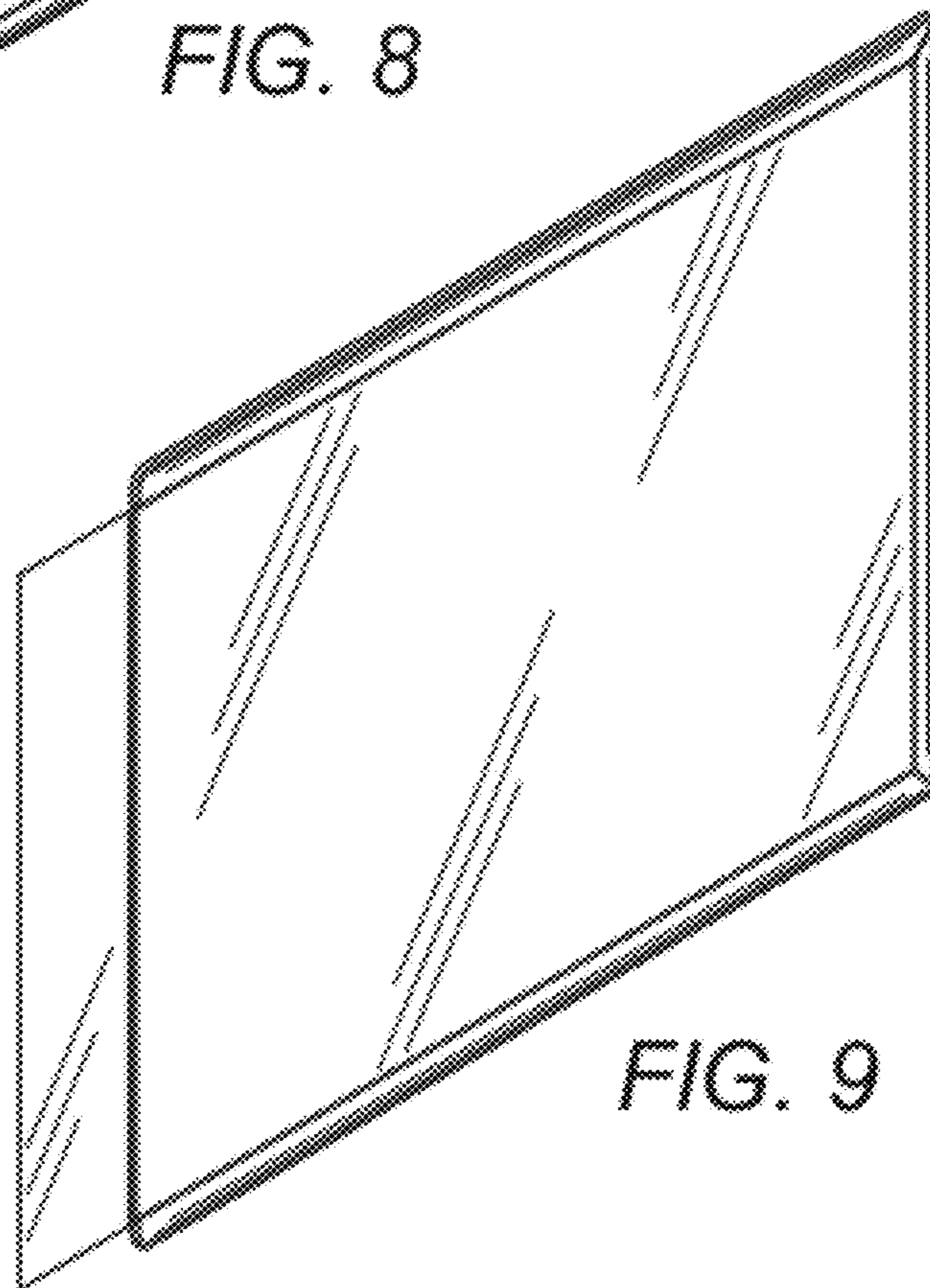


FIG. 9

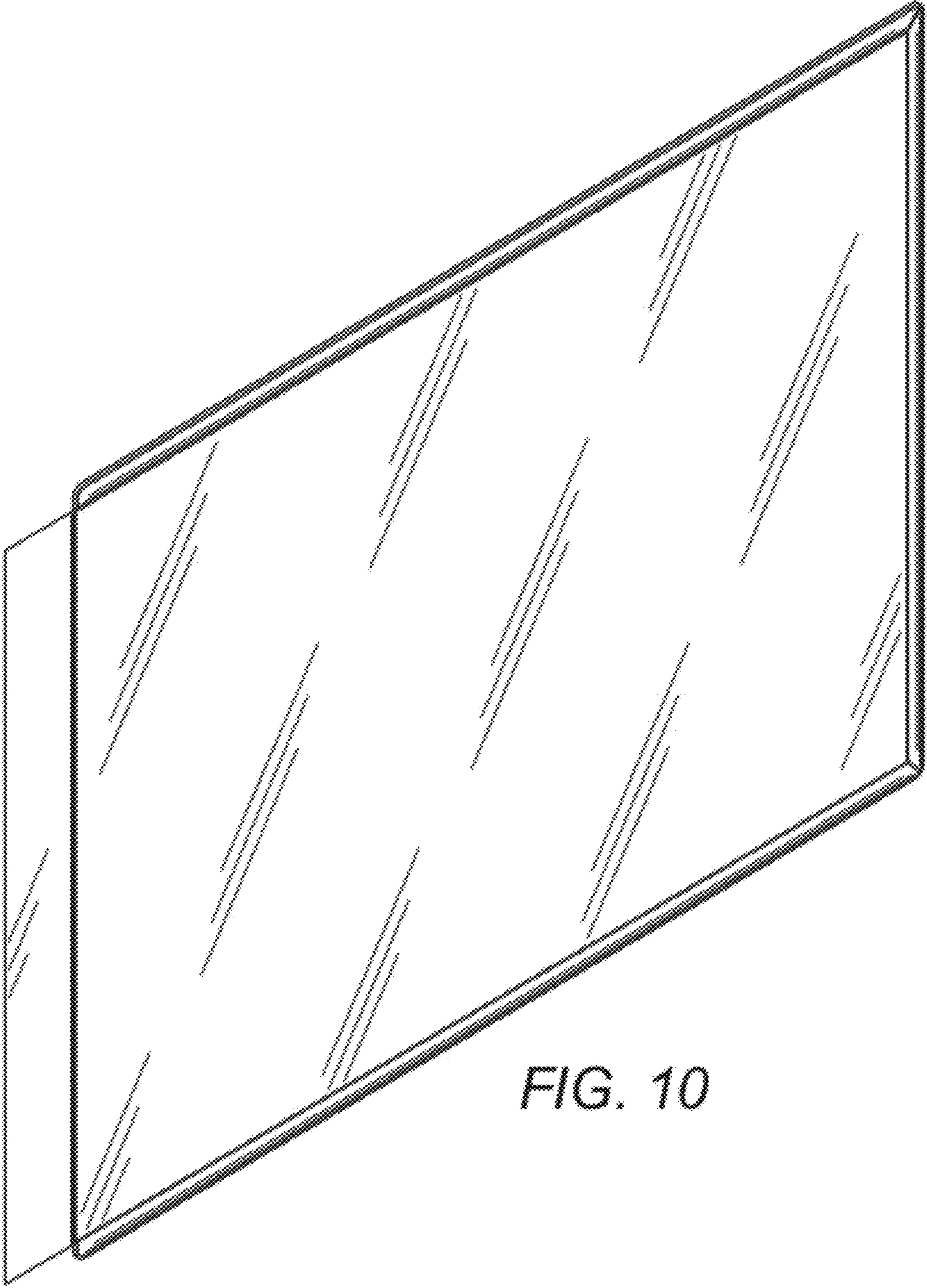


FIG. 10