



US00D670342S

(12) **United States Design Patent**  
**Fullalove**

(10) **Patent No.:** **US D670,342 S**

(45) **Date of Patent:** **\*\* Nov. 6, 2012**

(54) **TAILOR'S DUMMY**

(75) Inventor: **Kenneth Fullalove**, Bath (GB)

(73) Assignee: **Adjustoform Products Limited**,  
Ashford, Kent (GB)

(\*\*) Term: **14 Years**

(21) Appl. No.: **29/409,195**

(22) Filed: **Dec. 21, 2011**

(30) **Foreign Application Priority Data**

Oct. 12, 2011 (EM) ..... 001930710-0001

(51) **LOC (9) Cl.** ..... **20-02**

(52) **U.S. Cl.** ..... **D20/32**

(58) **Field of Classification Search** ..... D20/10,  
D20/19, 29-33, 99; 223/66-69, 84; D6/495  
See application file for complete search history.

(56) **References Cited**

**U.S. PATENT DOCUMENTS**

1,469,653 A \* 10/1923 Jankus ..... 223/68  
1,502,457 A \* 7/1924 Brecker ..... 223/68  
D242,092 S \* 11/1976 Levin ..... D20/31  
D277,397 S \* 1/1985 Arthur ..... D20/31

D444,818 S \* 7/2001 Fullalove ..... D20/31  
D467,619 S \* 12/2002 Fullalove ..... D20/31  
D619,658 S \* 7/2010 Fullalove ..... D20/32  
D620,053 S \* 7/2010 Fullalove ..... D20/32  
D620,533 S \* 7/2010 Fullalove ..... D20/32

**FOREIGN PATENT DOCUMENTS**

EP 599484 A1 \* 6/1994

\* cited by examiner

*Primary Examiner* — Mary Ann Calabrese

(74) *Attorney, Agent, or Firm* — Occhiuti Rohlicek & Tsao  
LLP

(57) **CLAIM**

The ornamental design for a tailor's dummy, as shown and described.

**DESCRIPTION**

FIG. 1 is a top view of the design for a tailor's dummy.

FIG. 2 is a rear view thereof.

FIG. 3 is a bottom view with stand thereof.

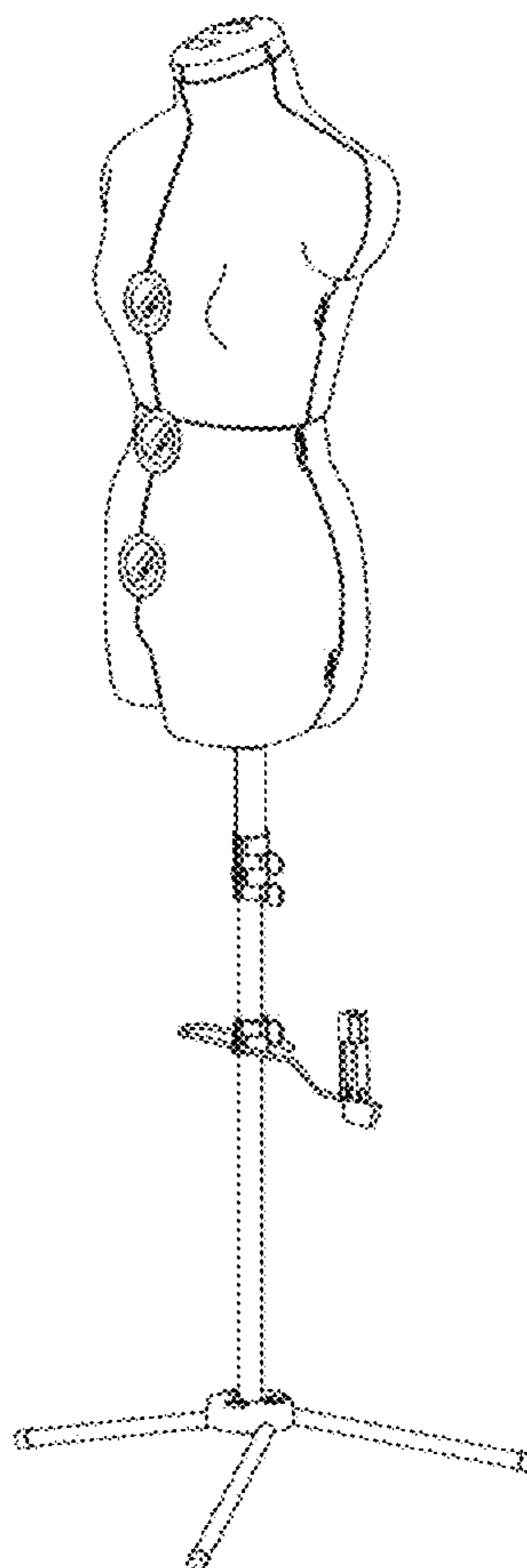
FIG. 4 is a front view thereof.

FIG. 5 is a perspective view thereof.

FIG. 6 is a left side view thereof; and,

FIG. 7 is a right side view thereof.

**1 Claim, 7 Drawing Sheets**



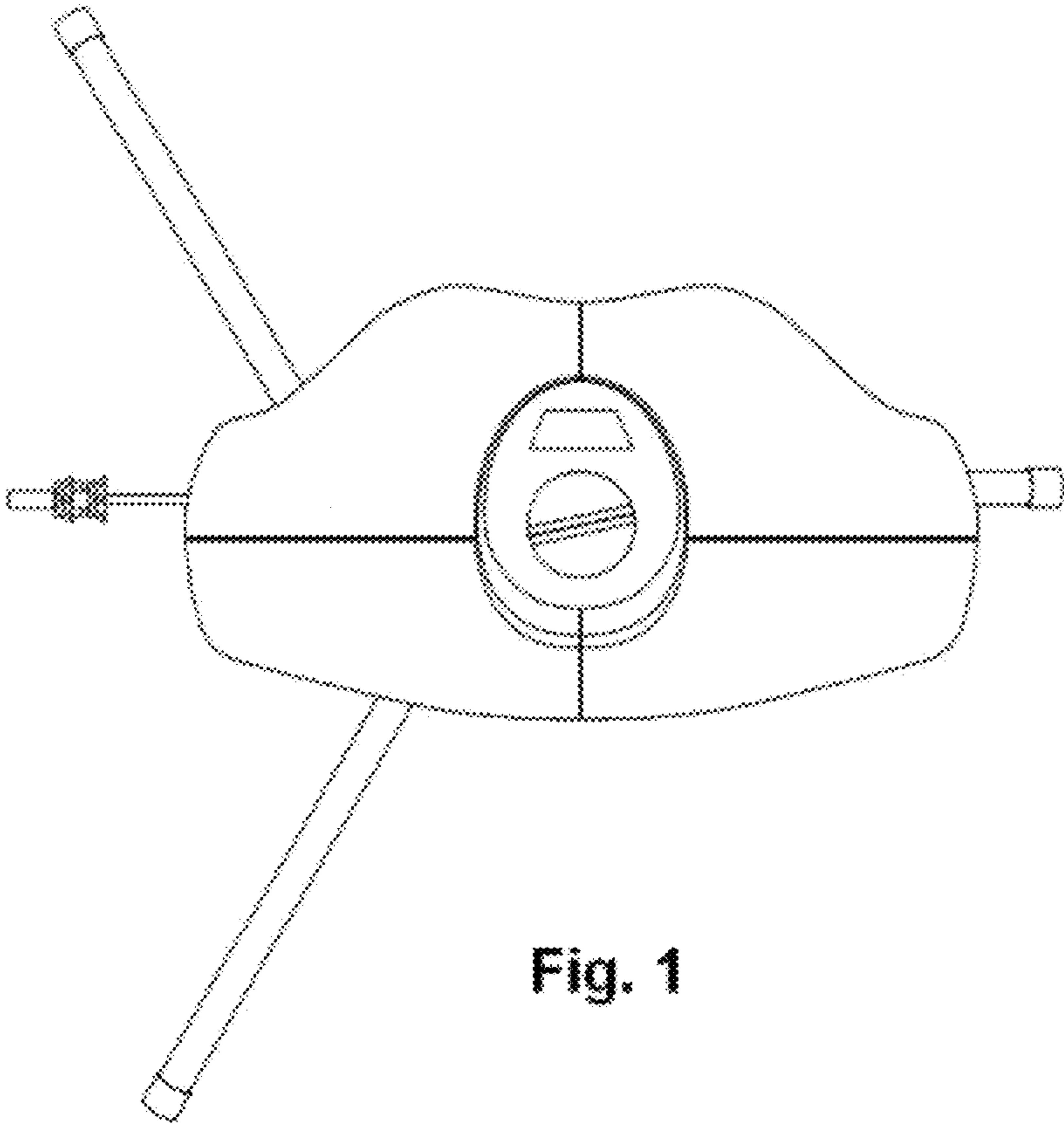


Fig. 1

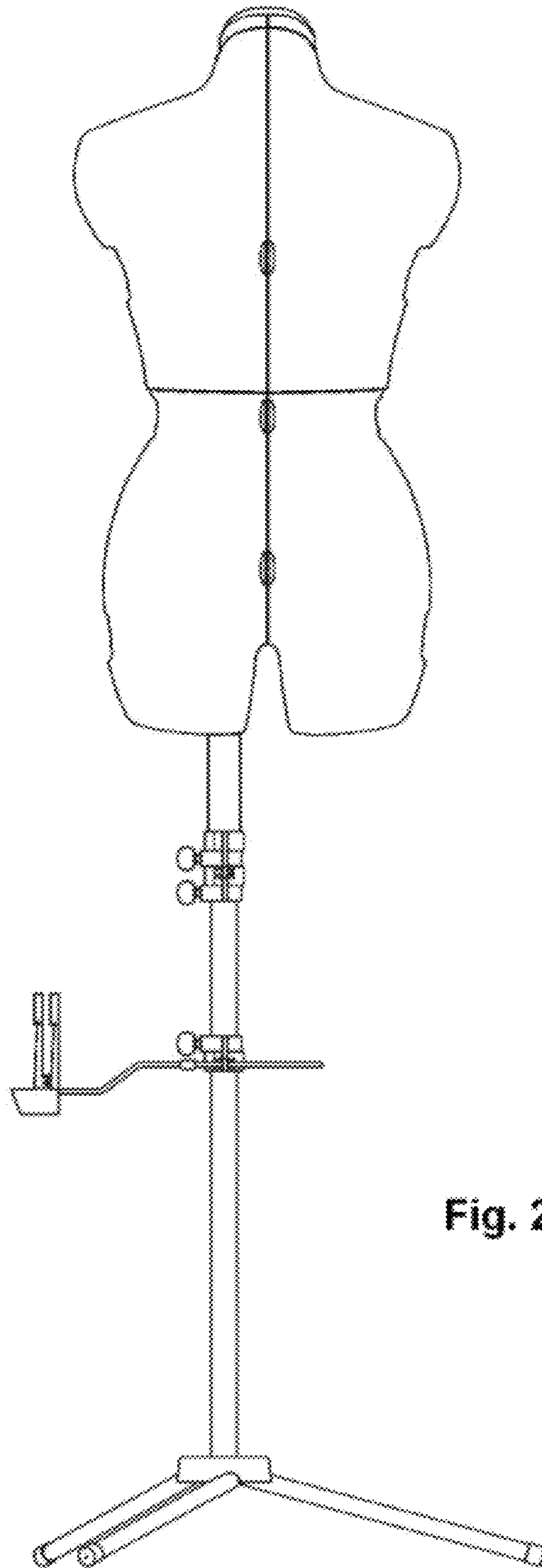
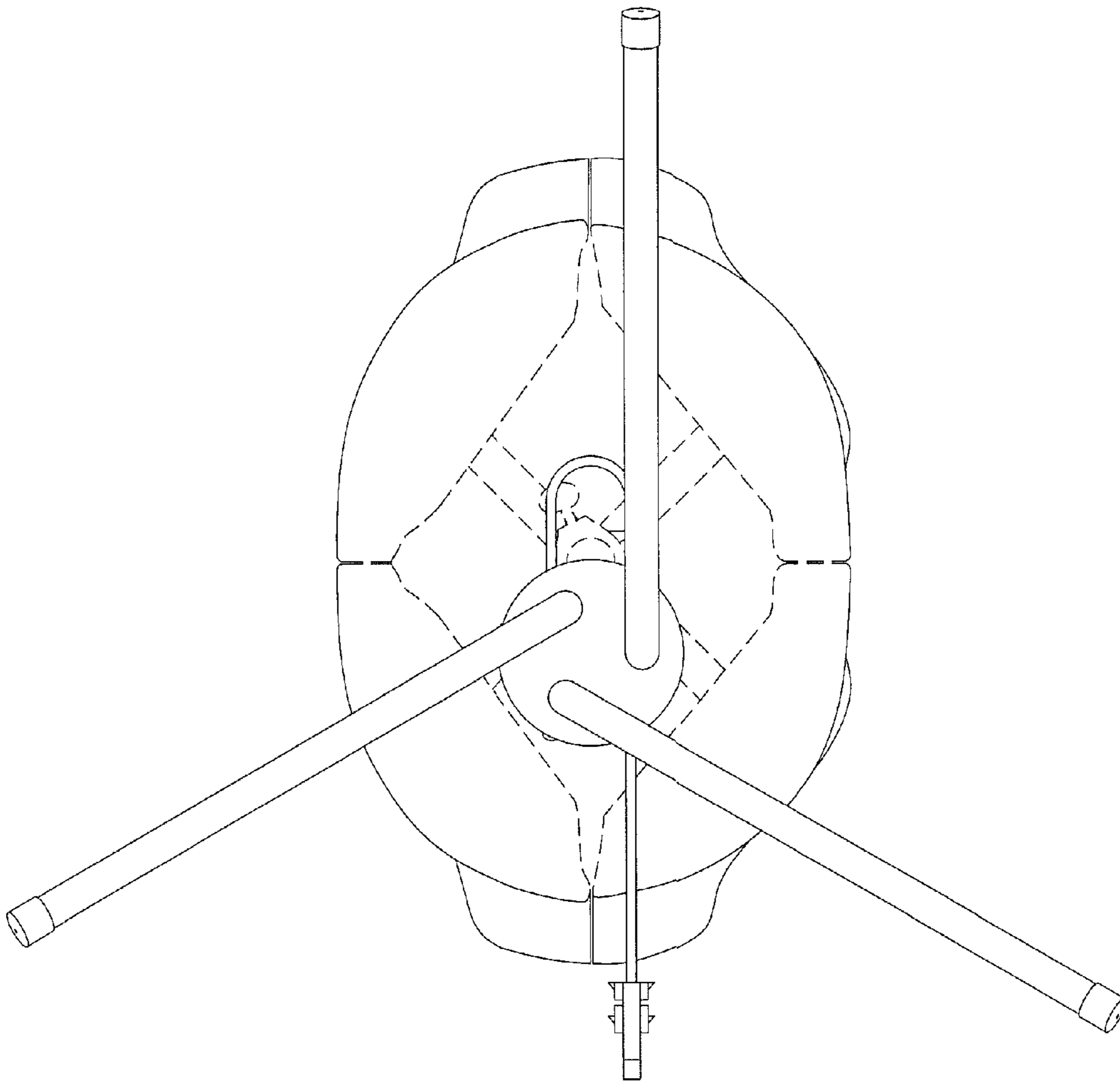


Fig. 2

Fig. 3



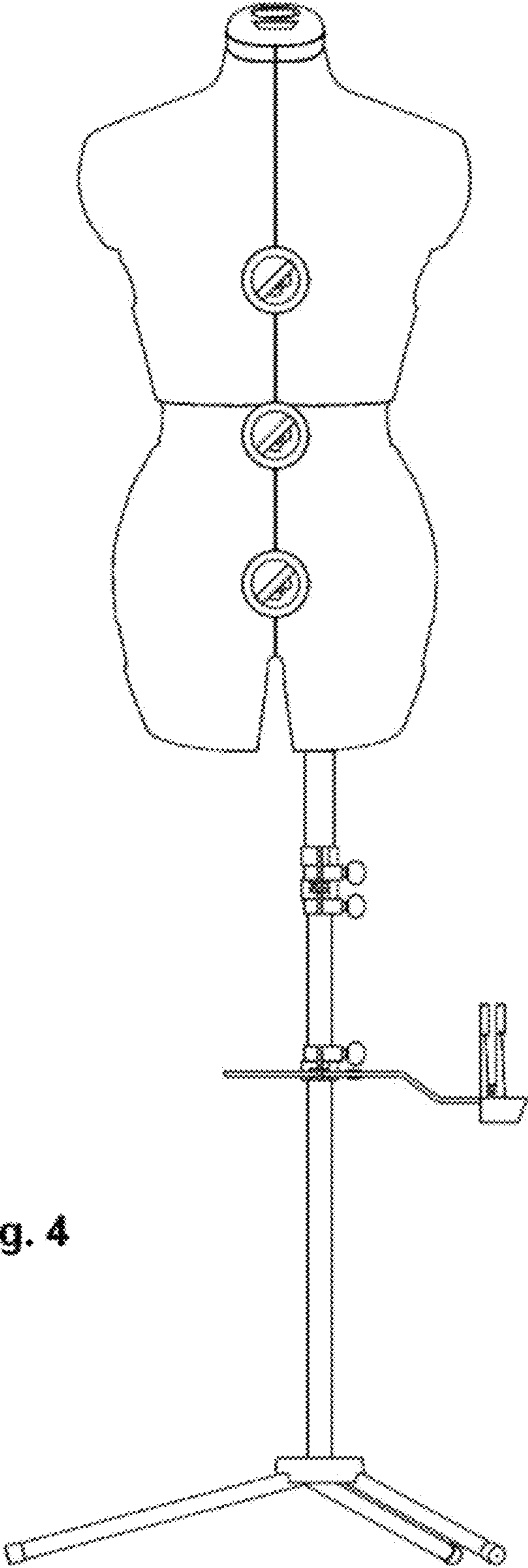


Fig. 4

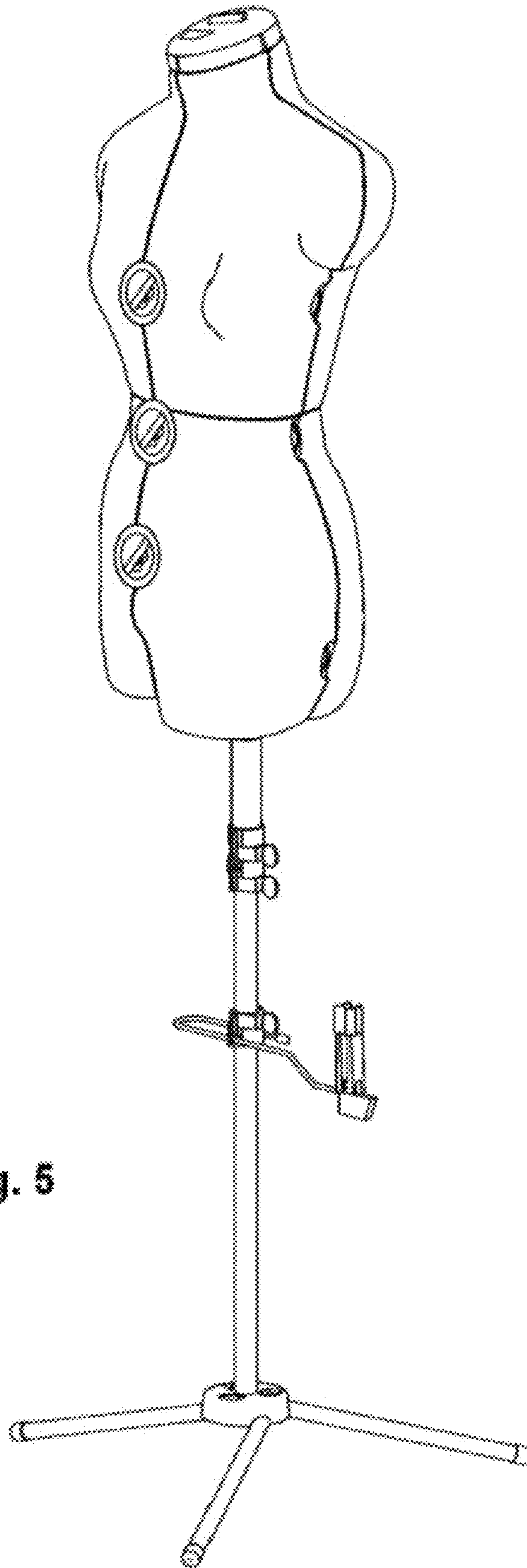


Fig. 5



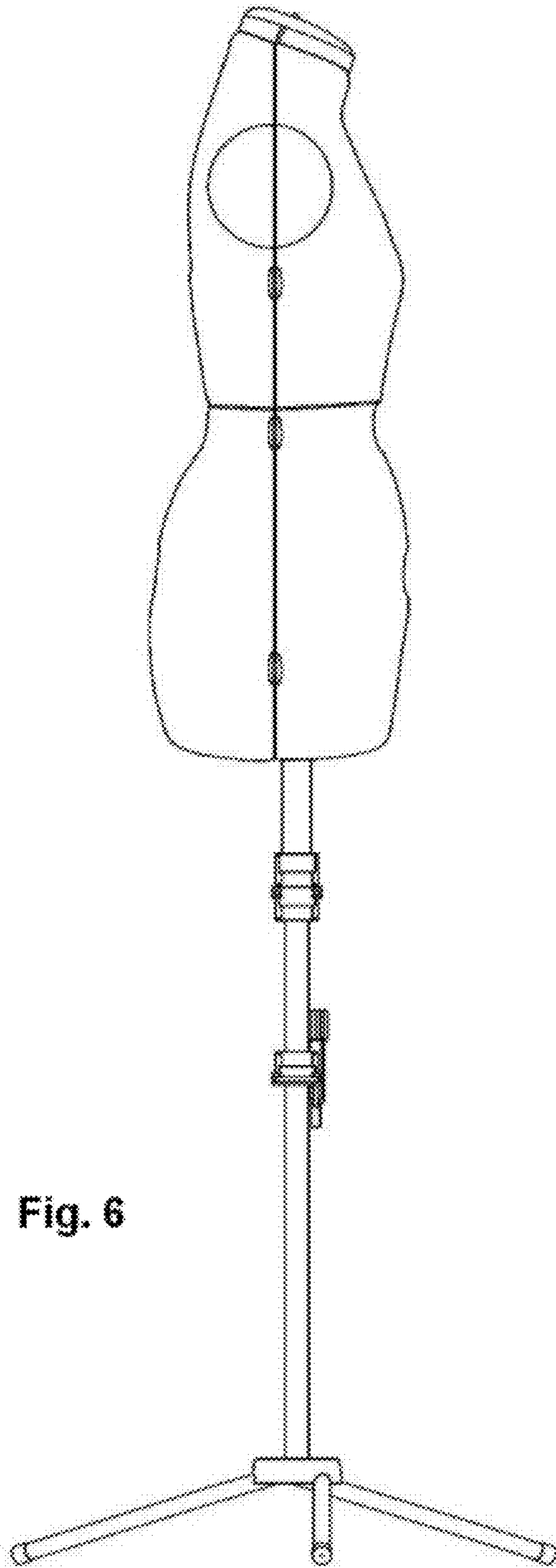


Fig. 6

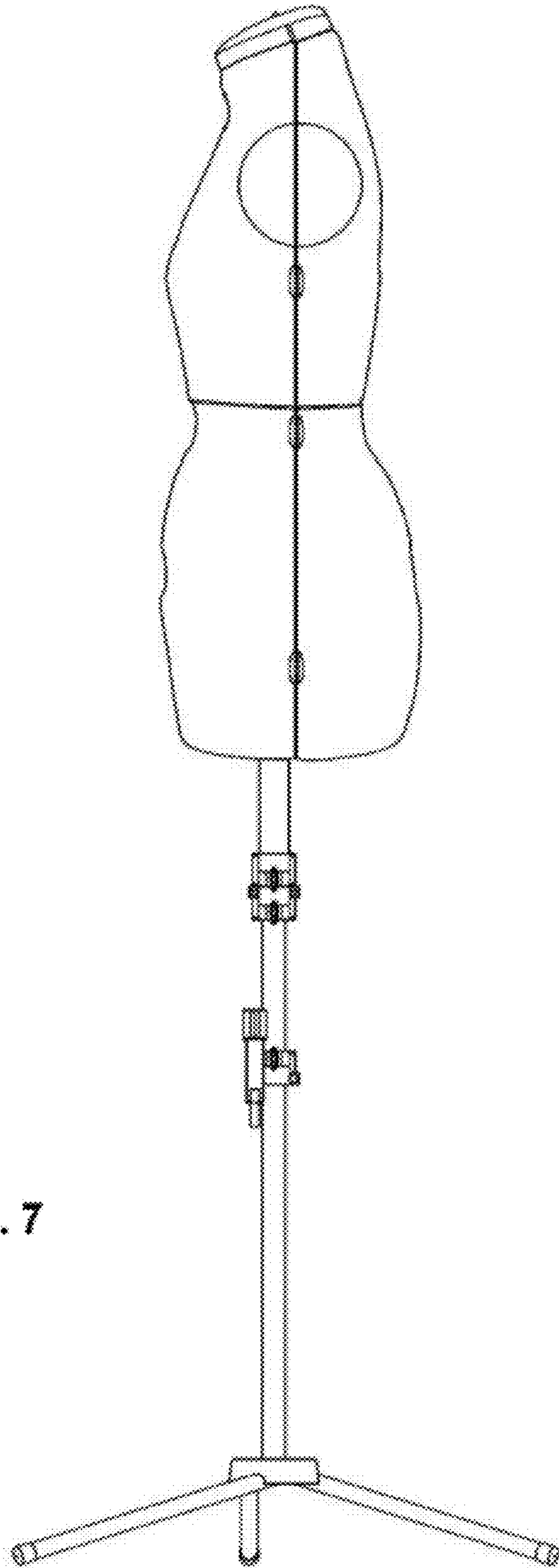


Fig. 7