



US00D670339S

(12) **United States Design Patent**
Mitchell

(10) **Patent No.:** **US D670,339 S**

(45) **Date of Patent:** **** Nov. 6, 2012**

(54) **DIVIDER ASSEMBLY**

(75) Inventor: **Ross Desmond Mitchell**, Auckland (NZ)

(73) Assignee: **CMI Limited**, Auckland (NZ)

(**) Term: **14 Years**

(21) Appl. No.: **29/388,933**

(22) Filed: **Apr. 4, 2011**

(30) **Foreign Application Priority Data**

Oct. 4, 2010 (NZ) 414117

(51) **LOC (9) Cl.** **19-02**

(52) **U.S. Cl.** **D19/90**

(58) **Field of Classification Search** D6/407,
D6/458, 462, 466, 467, 512; D19/75, 77-92,
D19/99, 100; 206/214, 215, 449, 558; 248/99,
248/150, 166

See application file for complete search history.

(56) **References Cited**

U.S. PATENT DOCUMENTS

1,621,465	A *	3/1927	Hammes	211/44
2,062,802	A *	12/1936	Walker	211/44
2,238,451	A *	4/1941	Roth	211/40
D127,972	S *	7/1941	Replogle	D6/407
D127,973	S *	7/1941	Replogle	D6/407
D132,201	S *	4/1942	Slough	D6/407
D160,015	S *	9/1950	Rauch et al.	D6/407
D180,955	S *	9/1957	Lyons	D6/407
3,144,942	A *	8/1964	Peebles	211/11
3,241,683	A *	3/1966	Blodee	211/43
3,627,141	A *	12/1971	Kurland et al.	211/44
D236,570	S *	9/1975	Dagard	D6/407
4,239,280	A *	12/1980	Ackerman	297/18

4,410,093	A *	10/1983	Chiariello et al.	211/11
4,810,031	A *	3/1989	Patterson	297/188.12
D322,449	S *	12/1991	Hunt	D17/20
D325,798	S *	4/1992	Montrose et al.	D34/5
D326,172	S *	5/1992	Biesele et al.	D34/5
5,180,126	A *	1/1993	Bennett	248/99
D334,493	S *	4/1993	Penar	D6/462
D352,847	S *	11/1994	Station	D6/462
D381,548	S *	7/1997	Goodman	D6/630
D396,917	S *	8/1998	McCray, Jr.	D34/5

(Continued)

FOREIGN PATENT DOCUMENTS

AU 306607 5/2006

(Continued)

Primary Examiner — Elizabeth Albert

(74) *Attorney, Agent, or Firm* — Jacobson Holman PLLC

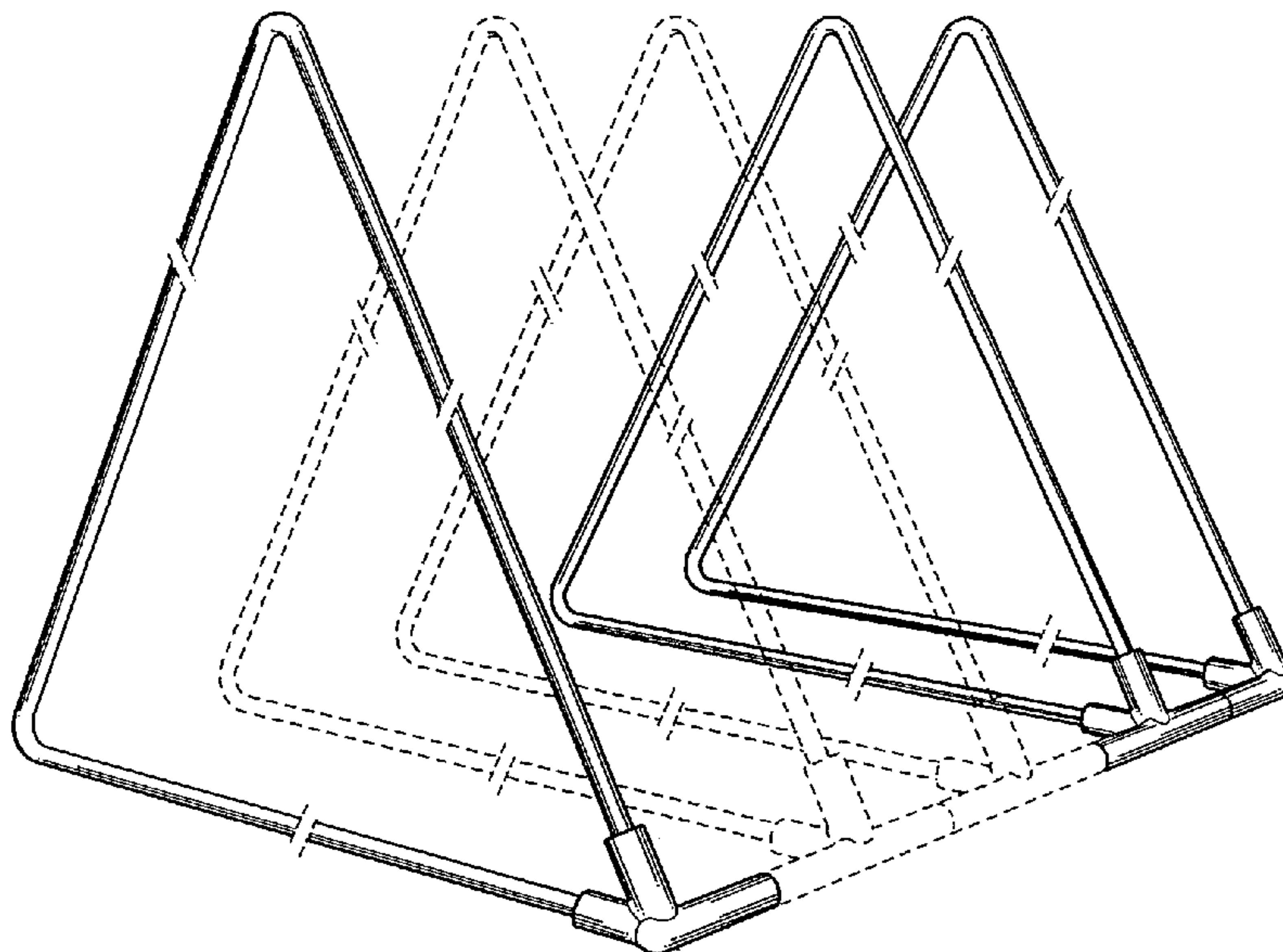
(57) **CLAIM**

The ornamental design for the divider assembly, as shown and described.

DESCRIPTION

FIG. 1 is a front elevational view of the divider assembly;
 FIG. 2 is a side elevation view of FIG. 1;
 FIG. 3 is a rear elevation view of FIG. 1;
 FIG. 4 is a top plan view of FIG. 1;
 FIG. 5 is a bottom plan view of FIG. 1;
 FIG. 6 is a cross sectional view of one of the joints of FIG. 1;
 FIG. 7 is a front perspective view of the divider assembly;
 and,
 FIG. 8 is a rear perspective view of the divider assembly.
 The broken lines showing two other sections are included for the purpose of illustrating portions of the divider assembly that form no part of the claimed design.

1 Claim, 8 Drawing Sheets



US D670,339 S

Page 2

U.S. PATENT DOCUMENTS

6,076,782 A * 6/2000 Alderman 248/97
D434,248 S * 11/2000 Krogh D6/419
D442,392 S * 5/2001 Follman et al. D6/467
6,511,026 B2 * 1/2003 Hatfield 248/97
7,066,432 B2 * 6/2006 Wood et al. 248/99
D568,550 S * 5/2008 Totty D30/158
D582,697 S * 12/2008 Goodman et al. D6/462
D583,589 S * 12/2008 Goodman et al. D6/462
D583,716 S * 12/2008 Ross et al. D12/115

D588,378 S * 3/2009 Goodman et al. D6/462
D639,613 S * 6/2011 Goodman et al. D7/632
D649,378 S * 11/2011 Rogers D6/462
2002/0027181 A1 * 3/2002 Hatfield 248/99
2005/0061929 A1 * 3/2005 Wood et al. 248/99

FOREIGN PATENT DOCUMENTS

NZ 400964 8/2000

* cited by examiner

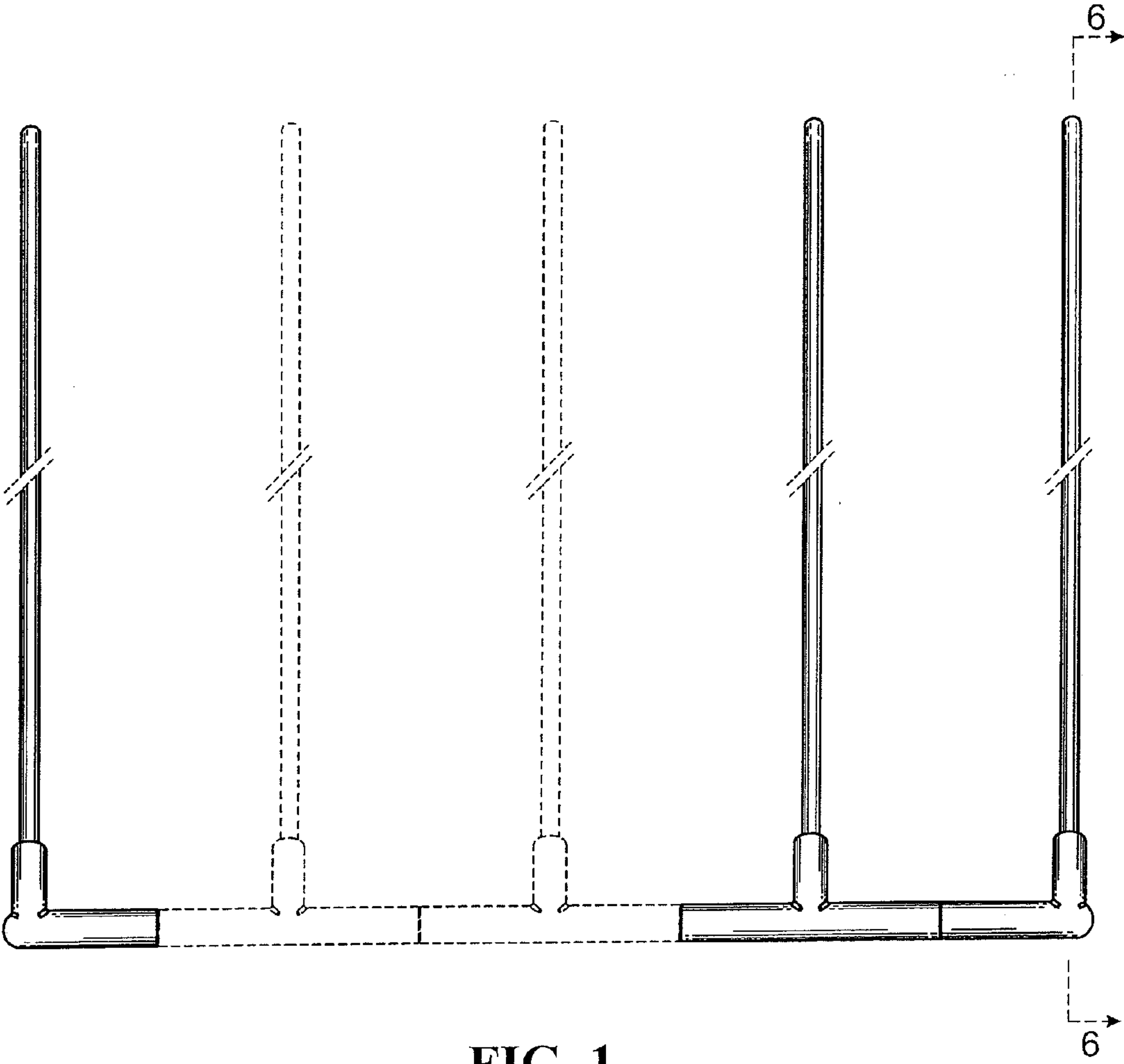


FIG. 1

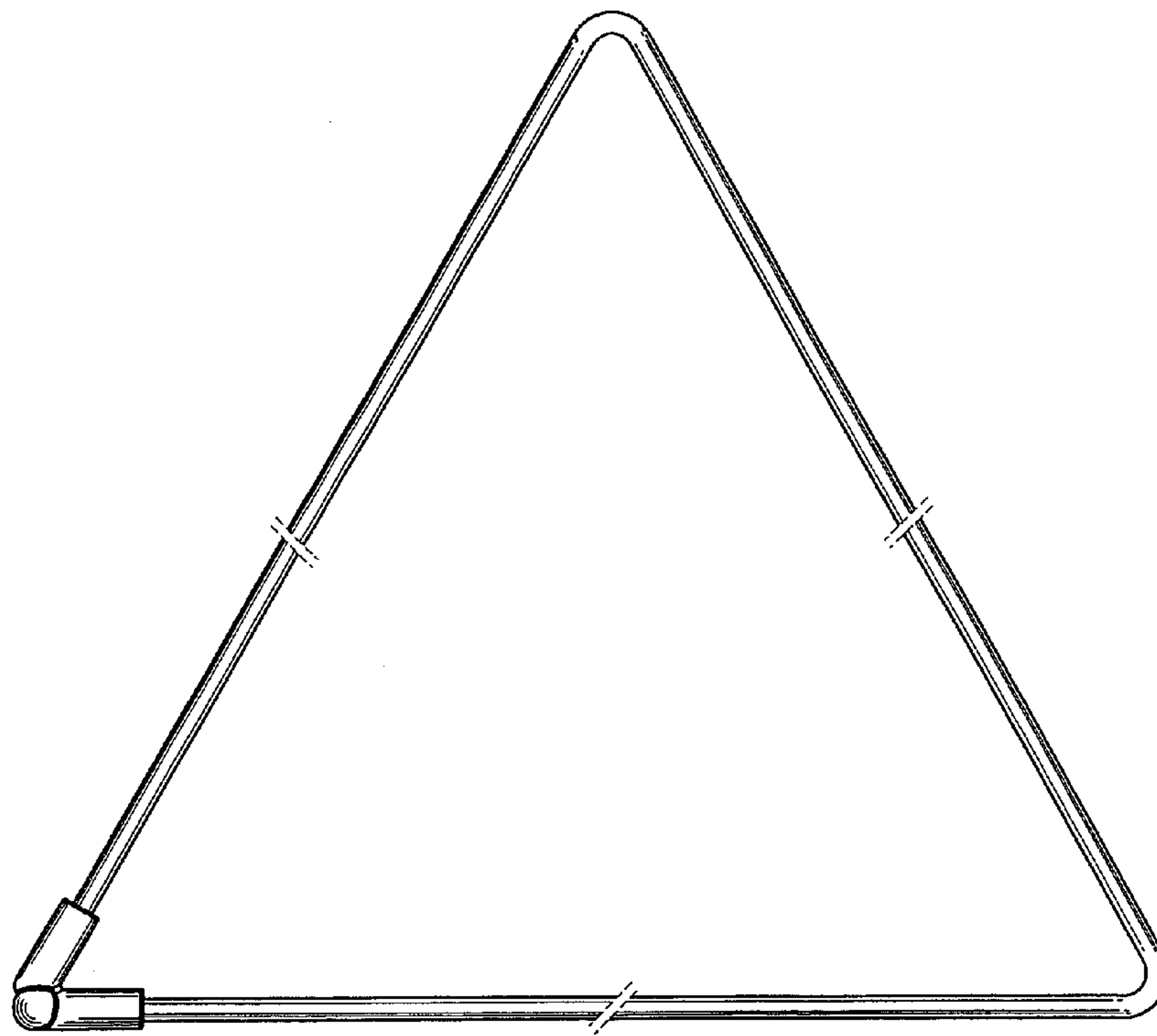


FIG. 2

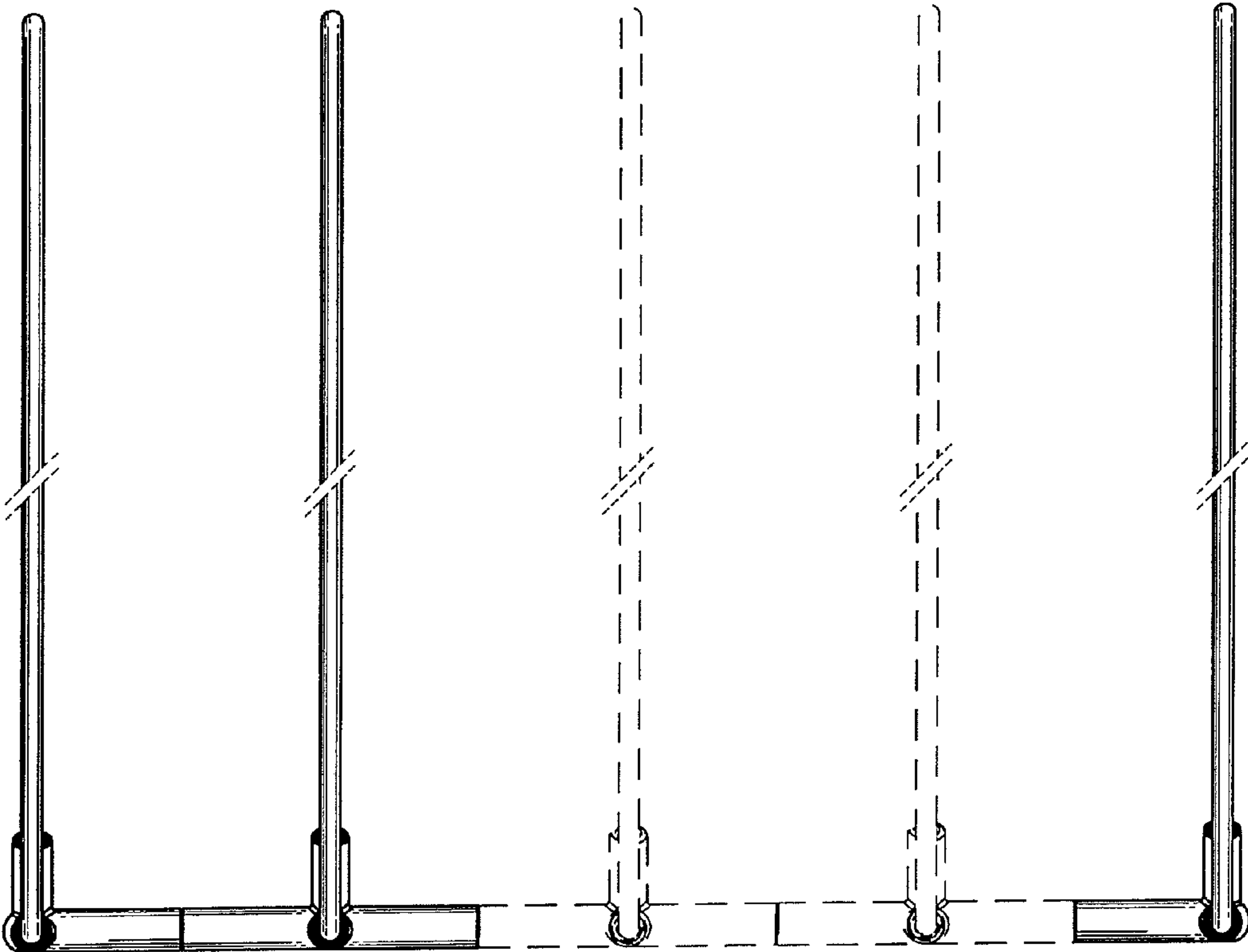


FIG. 3

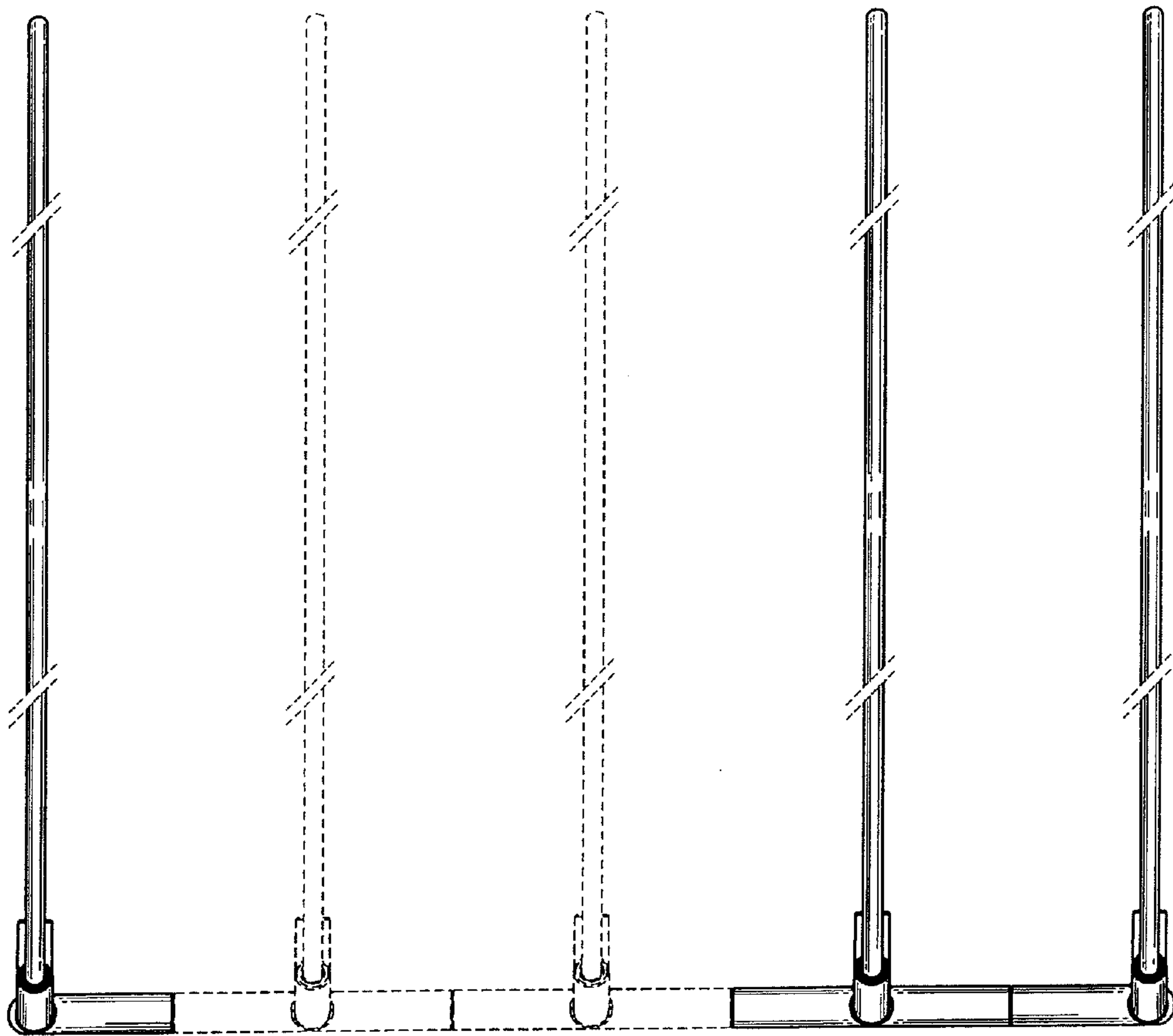


FIG. 4

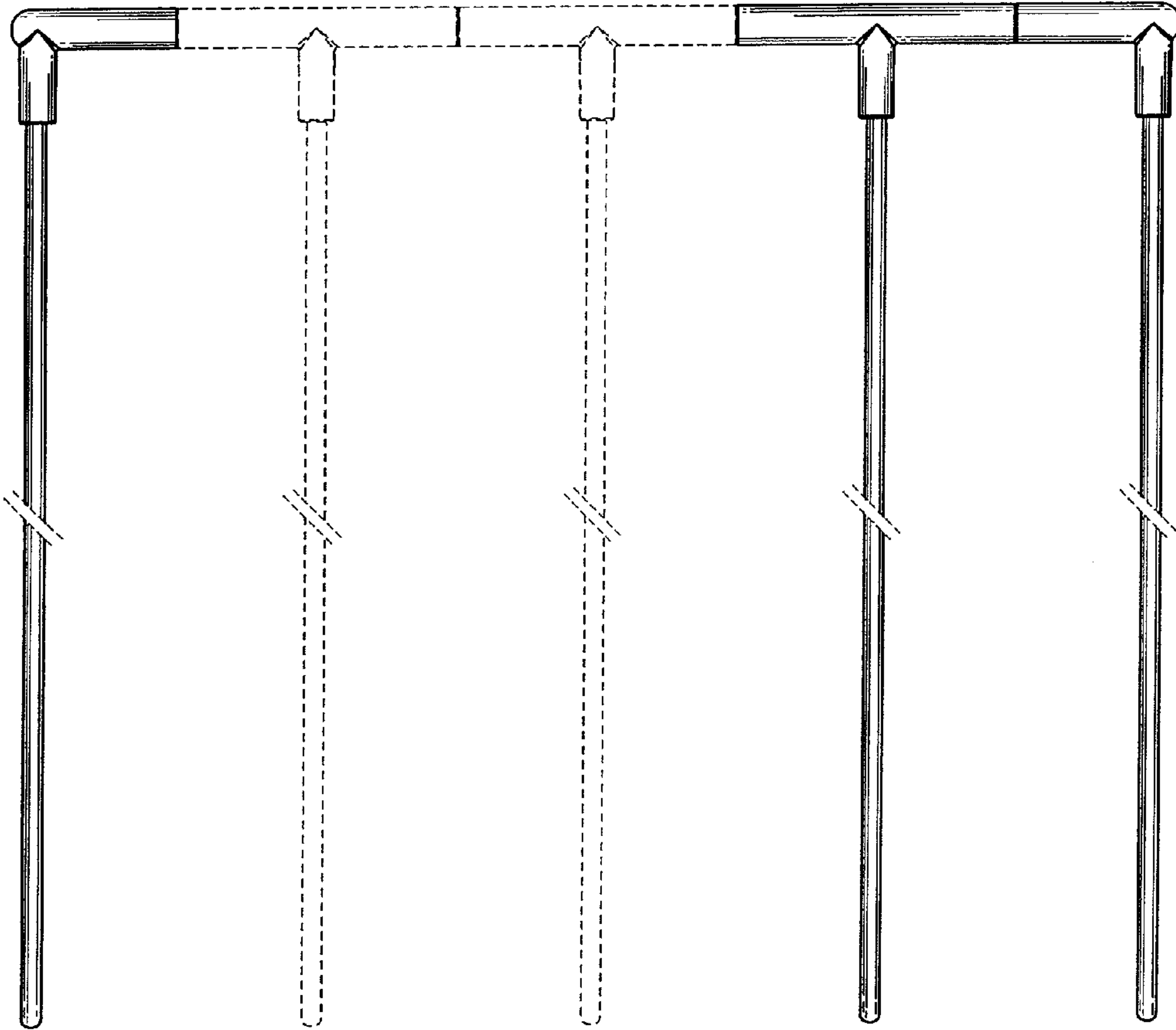


FIG. 5

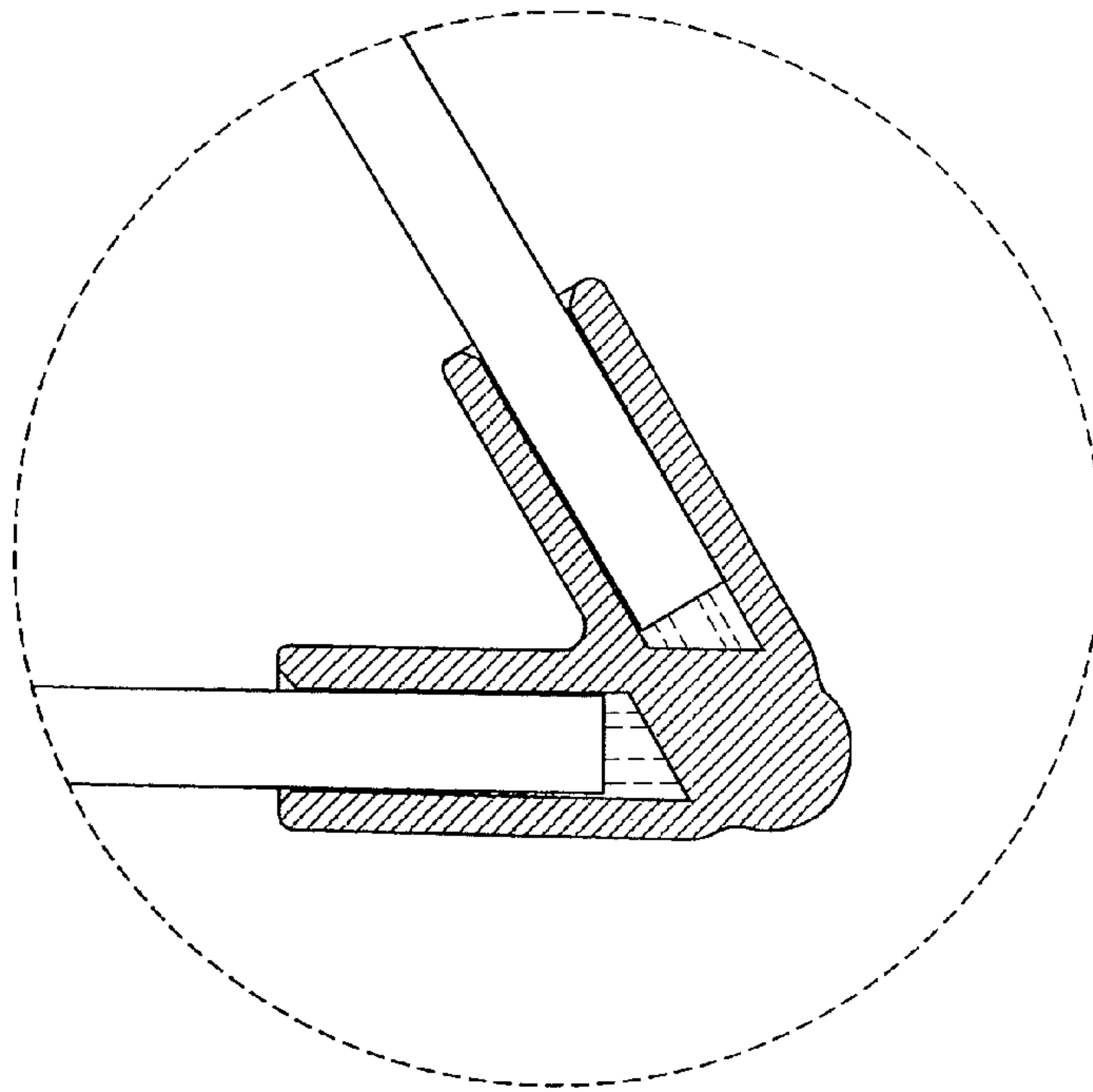


FIG. 6

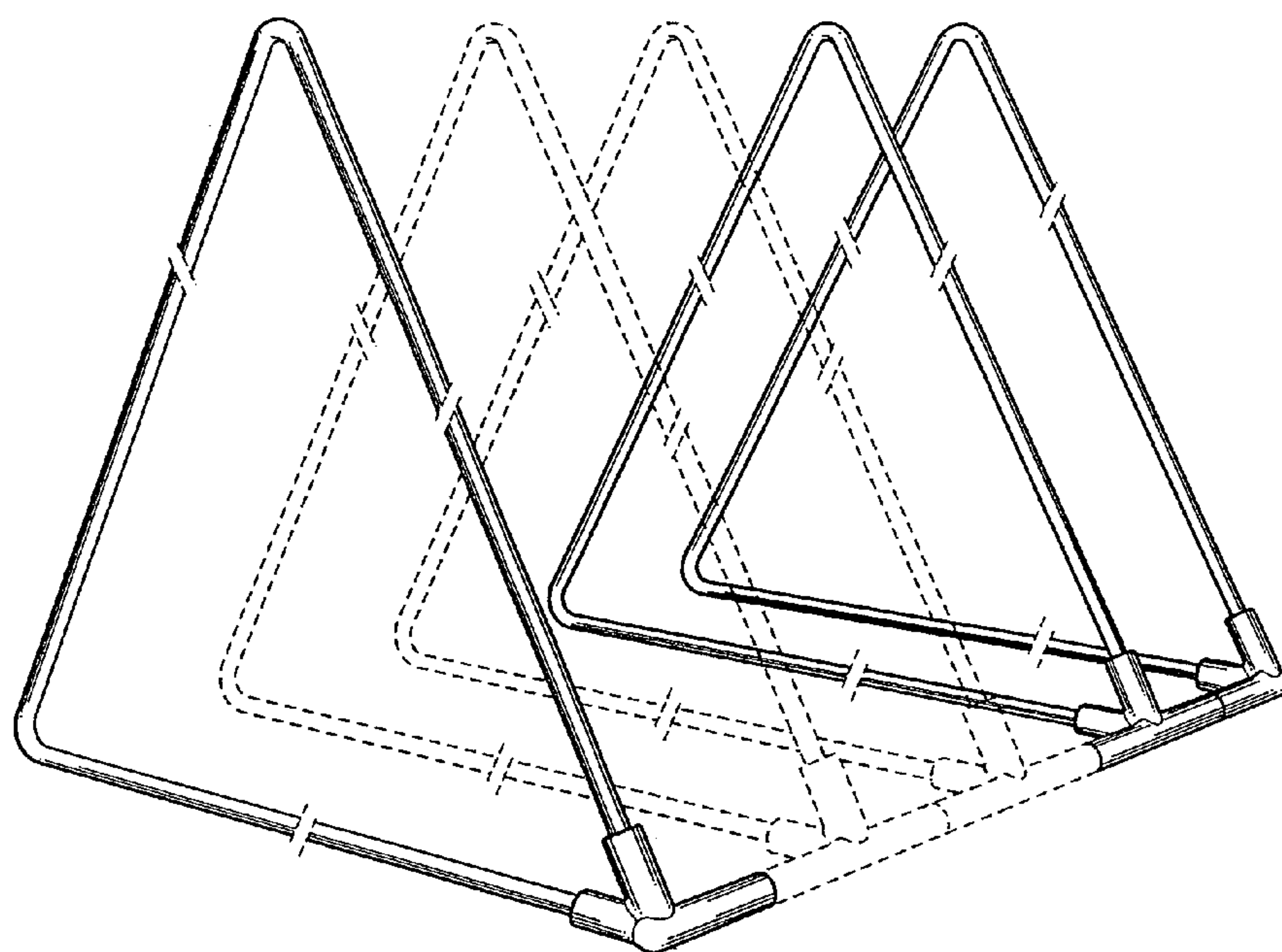


FIG. 7

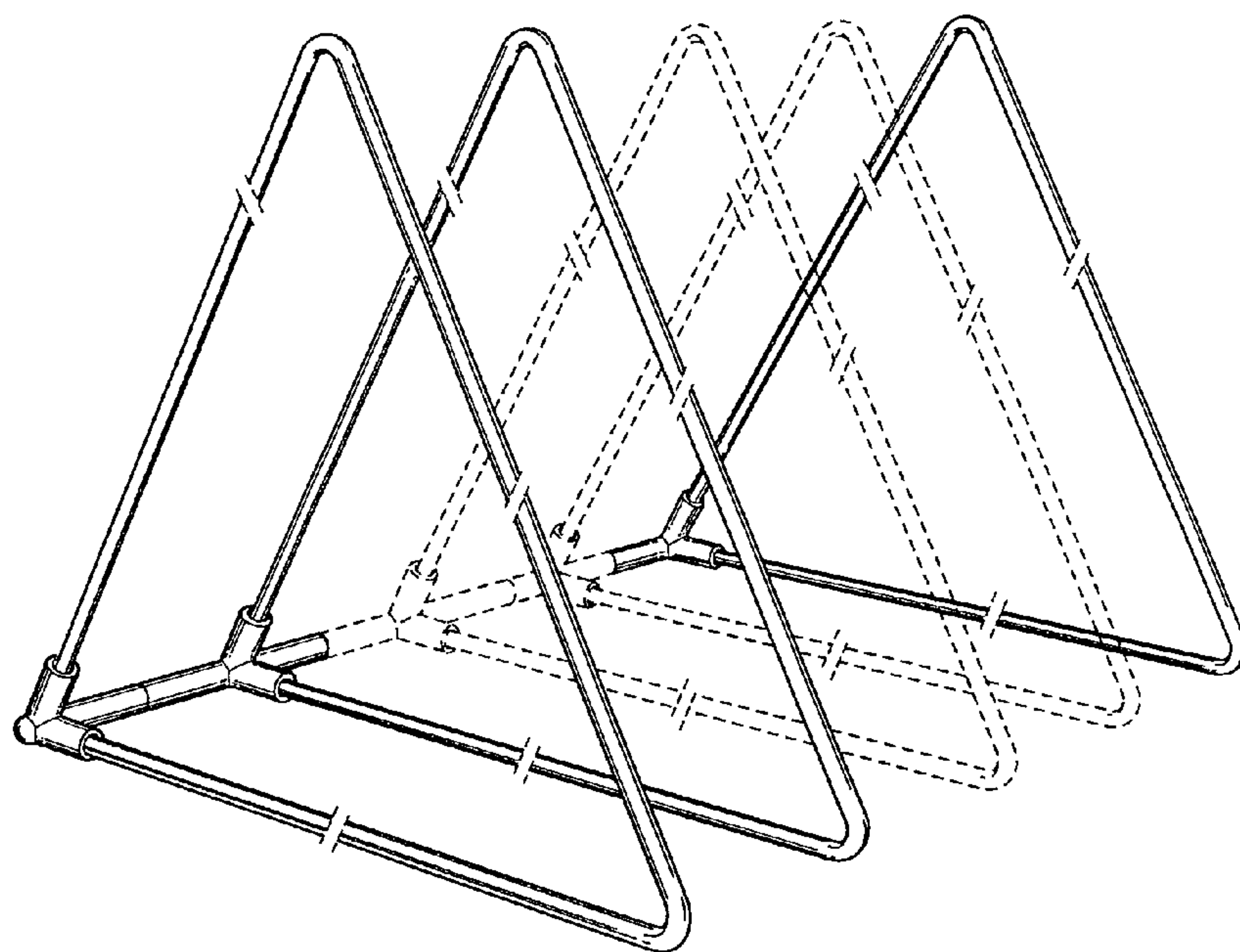


FIG. 8