



US00D670336S

(12) **United States Design Patent**  
**Johnson et al.**

(10) **Patent No.:** **US D670,336 S**  
(45) **Date of Patent:** **\*\* Nov. 6, 2012**

(54) **TAPE DISPENSER**

(75) Inventors: **Kenneth R. Johnson**, Campbell, CA (US); **Yugen Patrick Lockhart**, Palo Alto, CA (US); **Steven Simas Escobar**, San Jose, CA (US)

(73) Assignee: **Wagic, Inc.**, Los Gatos, CA (US)

(\*\*) Term: **14 Years**

(21) Appl. No.: **29/403,423**

(22) Filed: **Oct. 5, 2011**

(51) **LOC (9) Cl.** ..... **19-02**

(52) **U.S. Cl.** ..... **D19/69**

(58) **Field of Classification Search** ..... D19/70,  
D19/69, 36, 68; 242/588.6, 588.2; 225/77,  
225/6, 56, 39, 26, 25, 19, 11; 206/411; 156/577,  
156/527, 523

See application file for complete search history.

(56) **References Cited**

U.S. PATENT DOCUMENTS

D290,139 S *	6/1987	Harris	.....	D19/69
D372,050 S *	7/1996	Ho	.....	D19/89
D521,070 S *	5/2006	Hill	.....	D19/69
D533,905 S *	12/2006	Gullicks et al.	.....	D19/69

D568,400 S *	5/2008	Packard et al.	.....	D19/69
D573,645 S *	7/2008	Sommers et al.	.....	D19/69
D588,646 S *	3/2009	Vulpitta	.....	D19/69
D646,330 S *	10/2011	Chen	.....	D19/69
D649,191 S *	11/2011	Warner	.....	D19/69

\* cited by examiner

*Primary Examiner* — Austin Murphy

(74) *Attorney, Agent, or Firm* — Haverstock & Owens LLP

(57) **CLAIM**

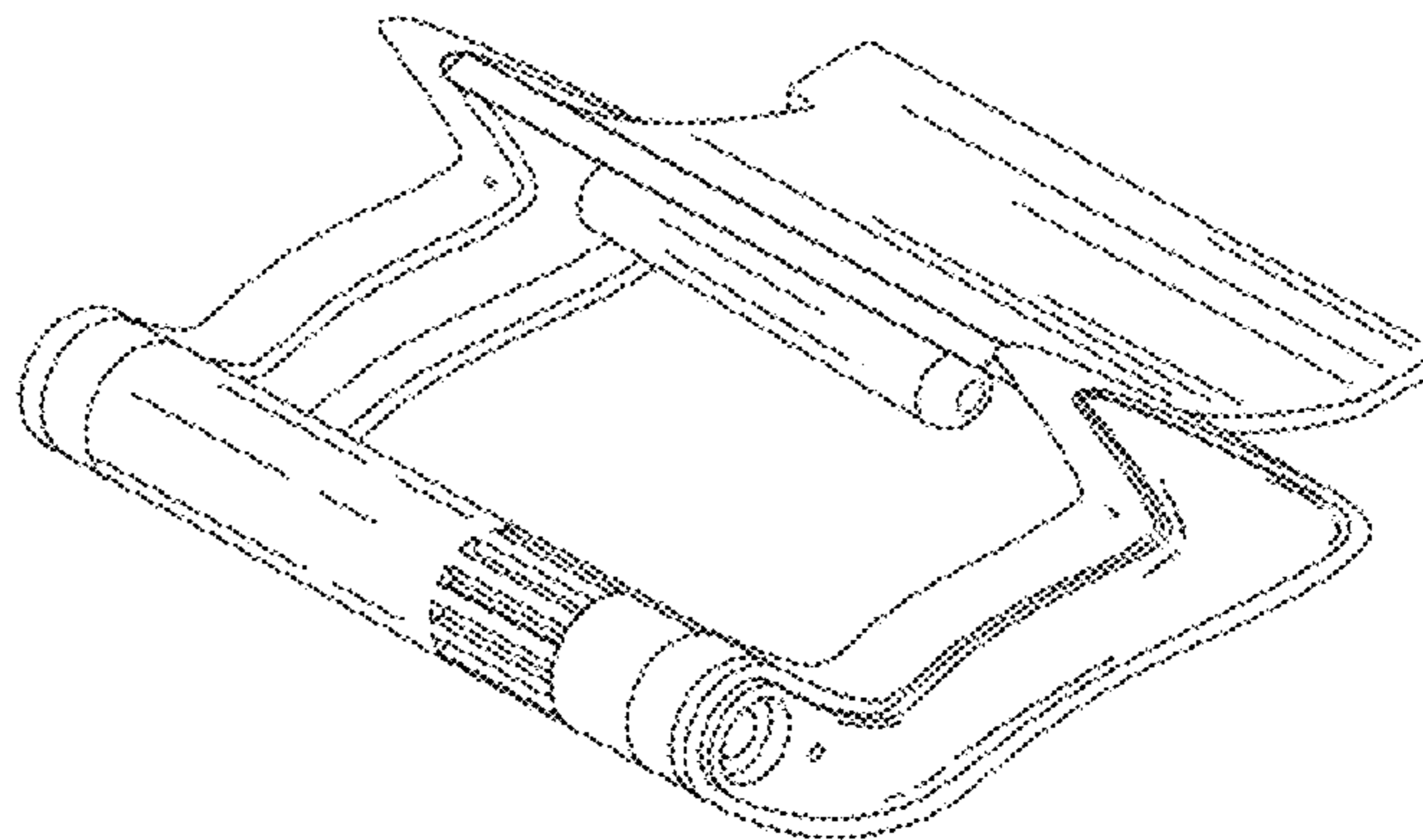
We claim the ornamental design for a tape dispenser, as shown and described.

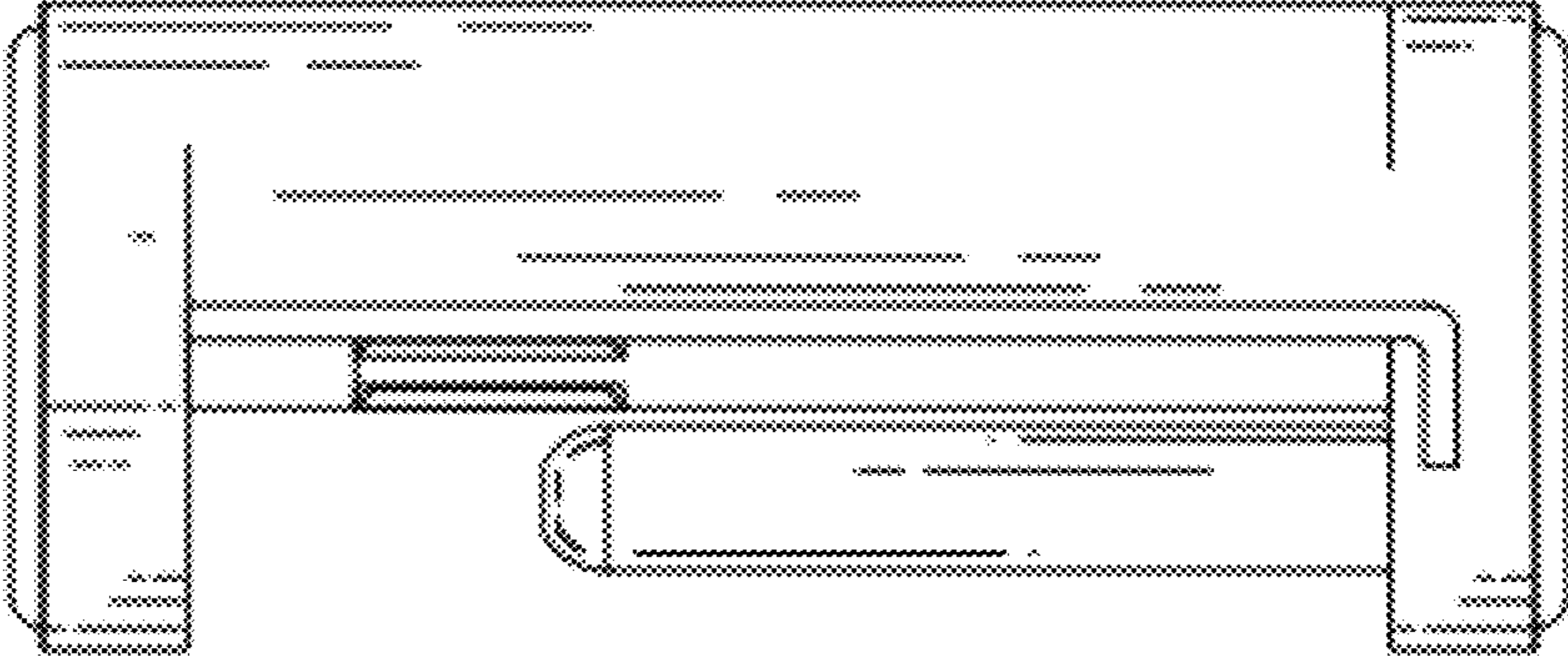
**DESCRIPTION**

FIG. 1 is a front view of the tape dispenser;  
FIG. 2 is a back view of the tape dispenser;  
FIG. 3 is a left side view of the tape dispenser;  
FIG. 4 is a right side view of the tape dispenser;  
FIG. 5 is a top view of the tape dispenser;  
FIG. 6 is a bottom view of the tape dispenser;  
FIG. 7 is a perspective view of the tape dispenser; and,  
FIG. 8 is a perspective view of the tape dispenser positioned on a tape roll.

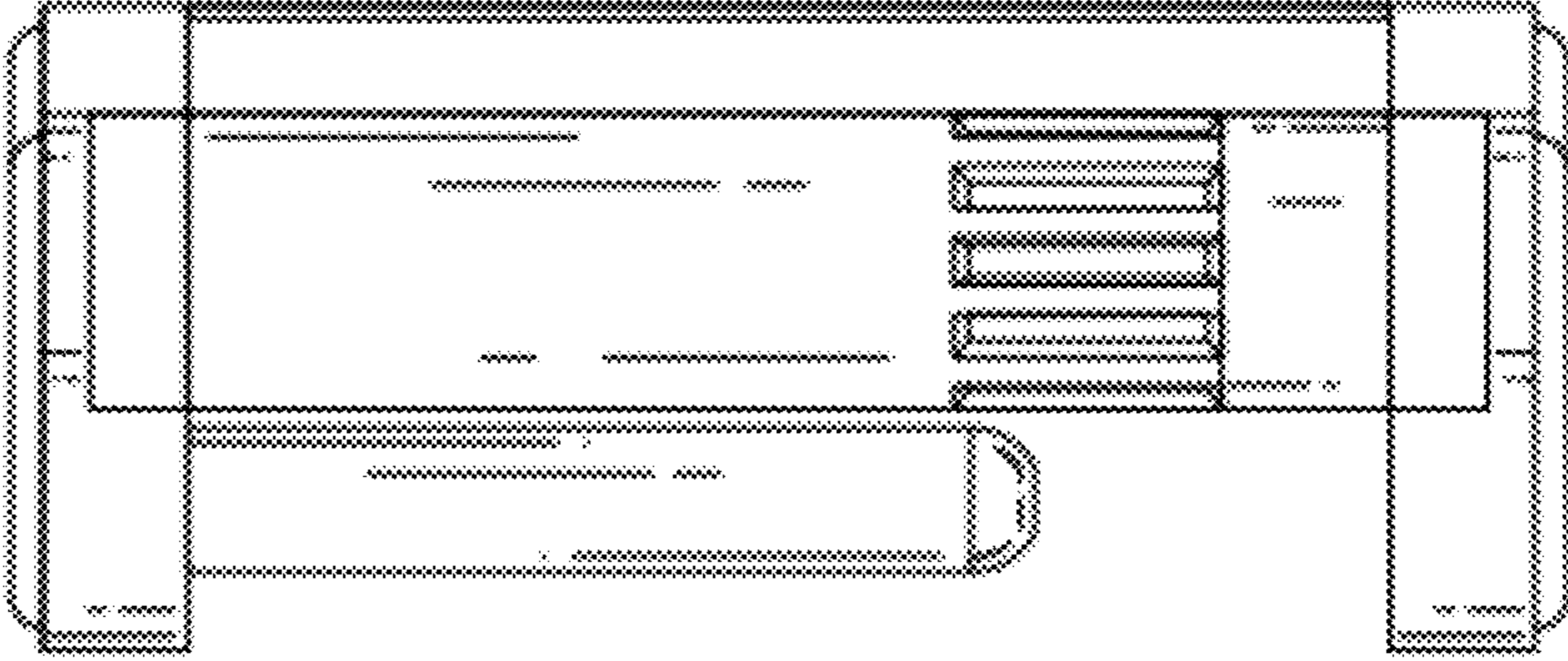
The broken lines shown in the FIG. 6 represents environmental structure that forms no part of the claimed design.

**1 Claim, 6 Drawing Sheets**

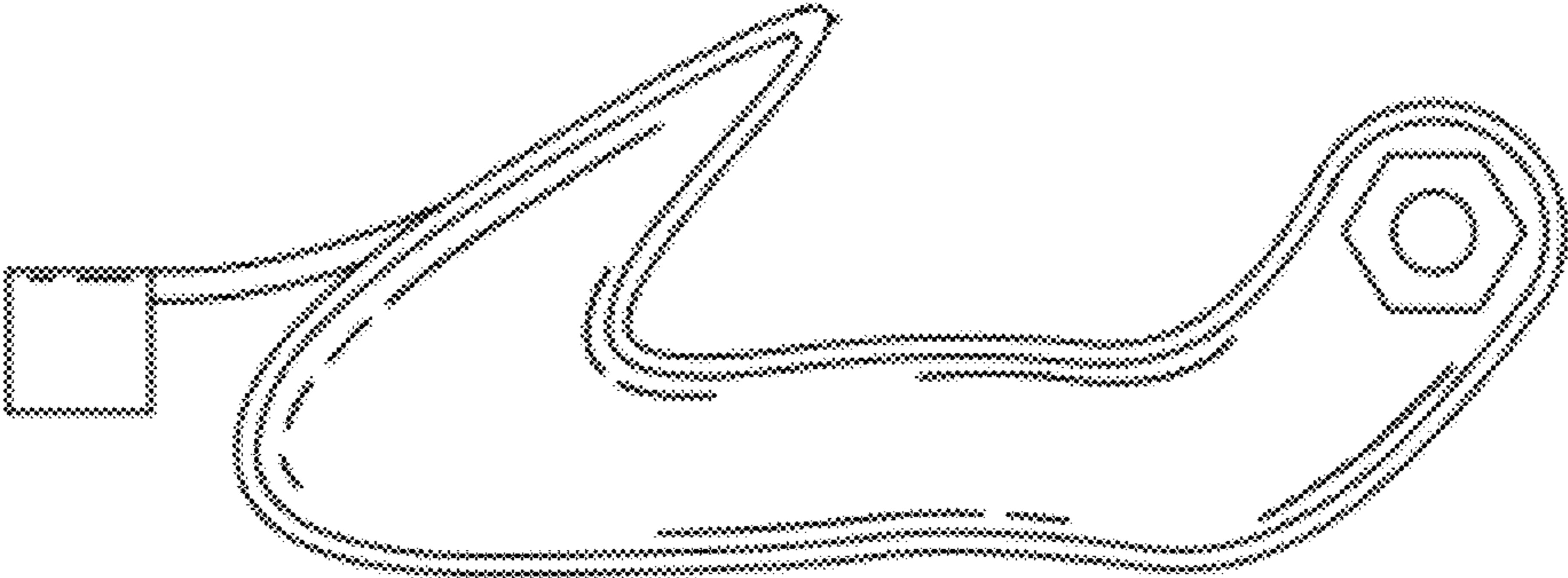




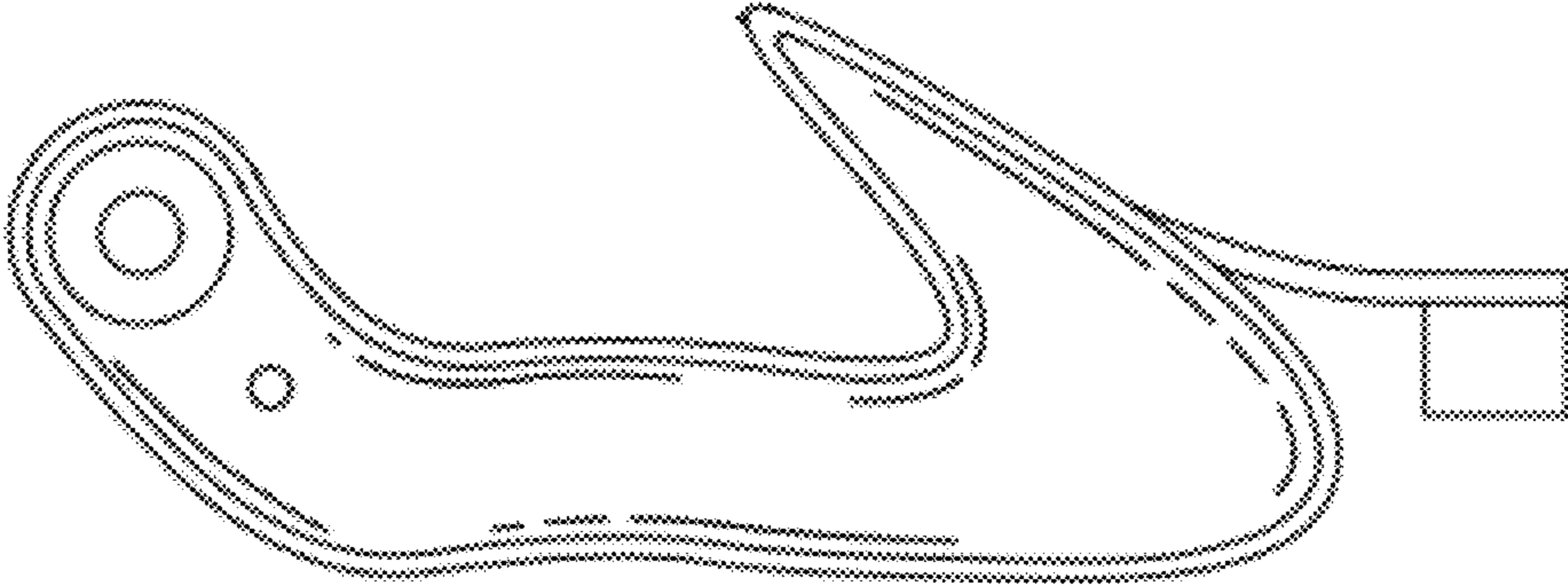
**Fig. 1**



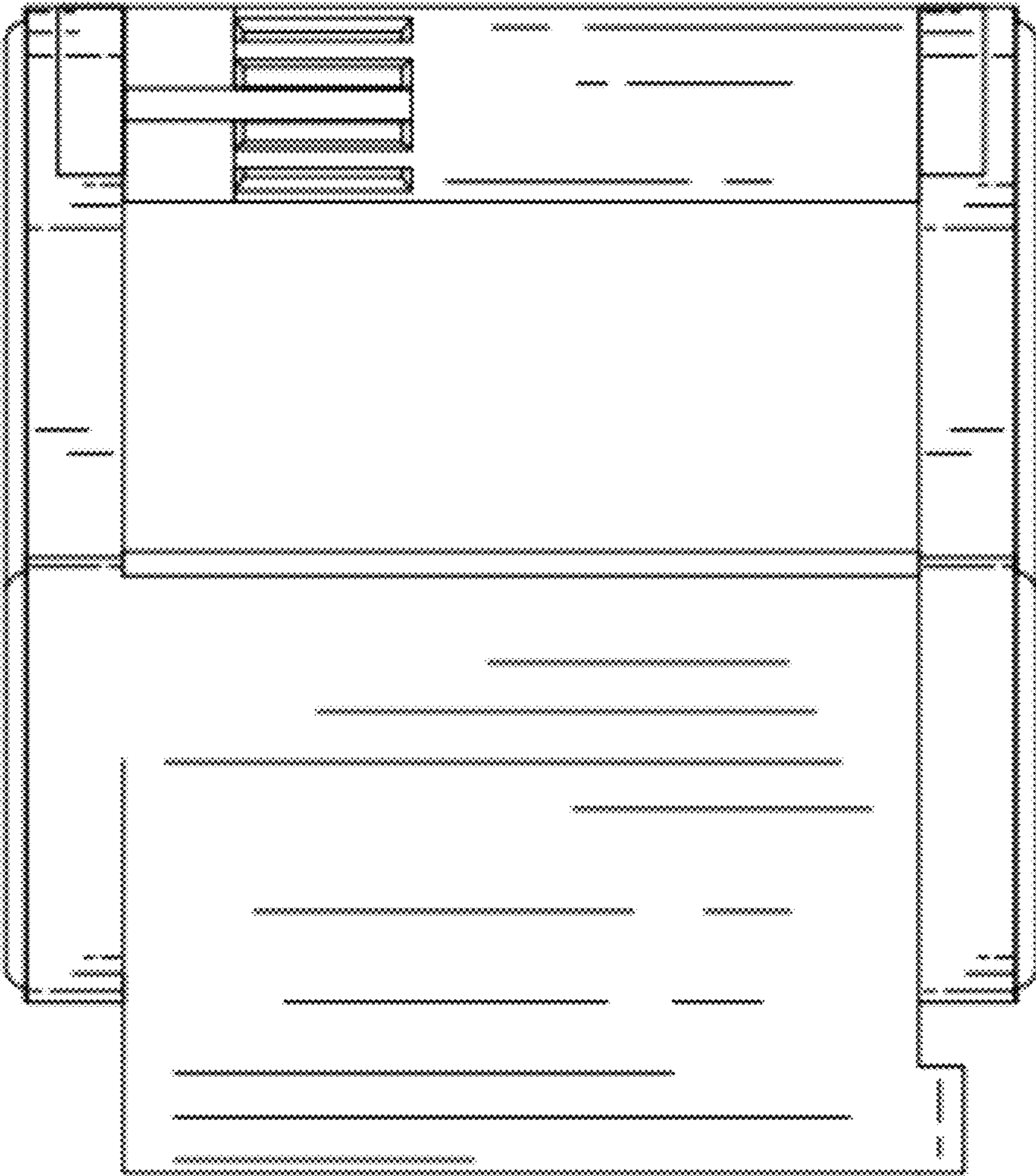
**Fig. 2**



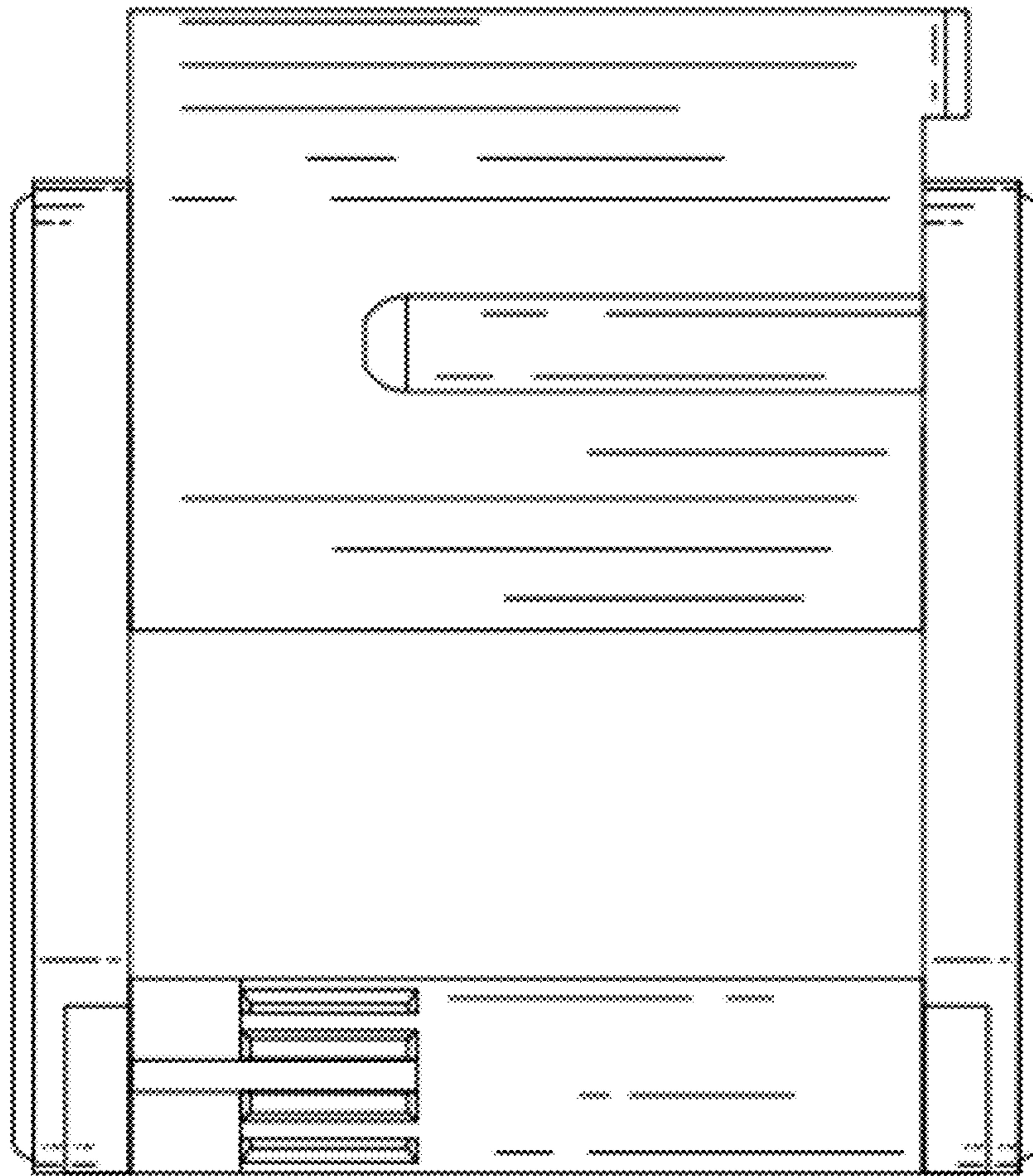
**Fig. 3**



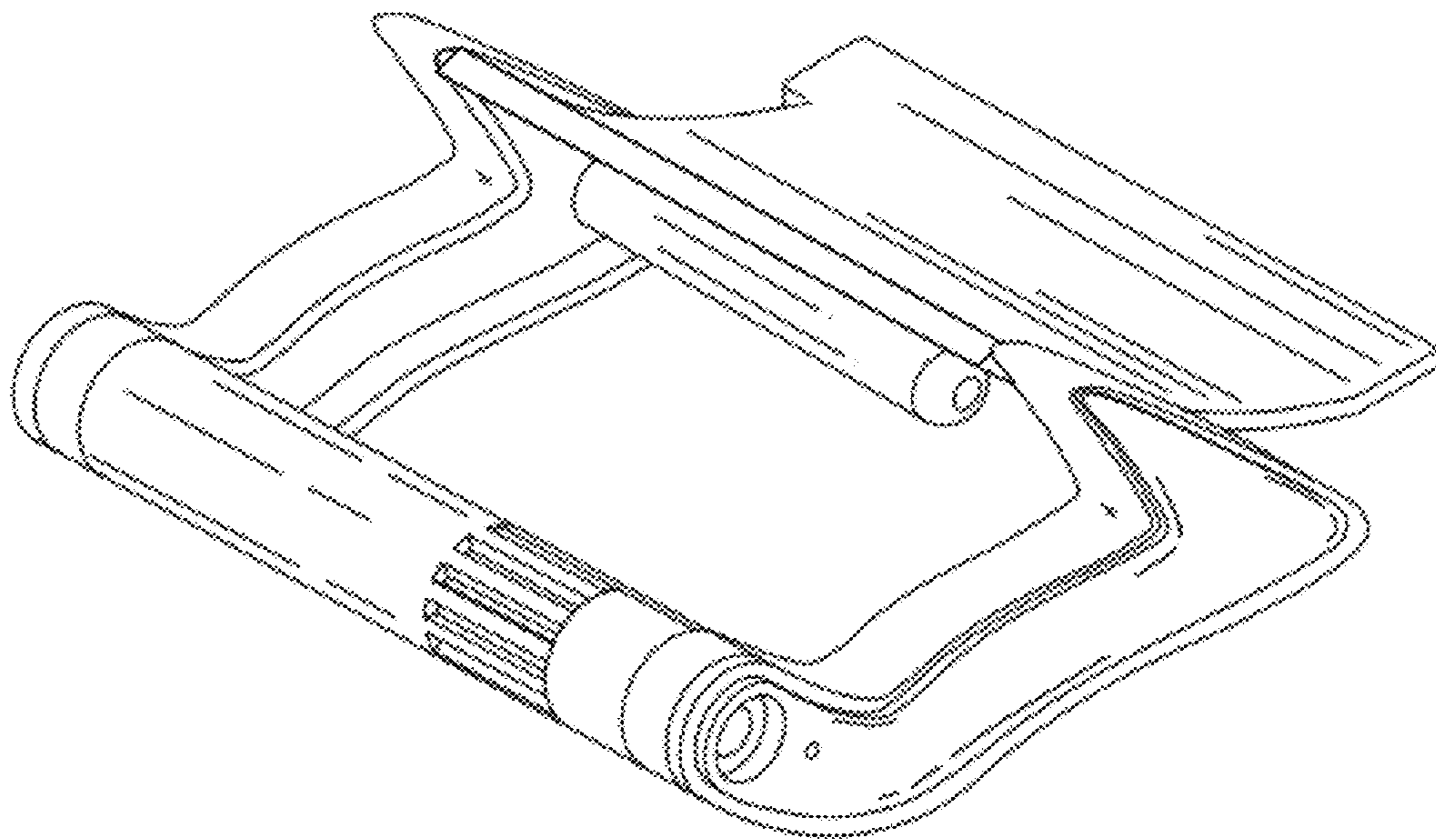
**Fig. 4**



**Fig. 5**



**Fig. 6**



**Fig. 7**

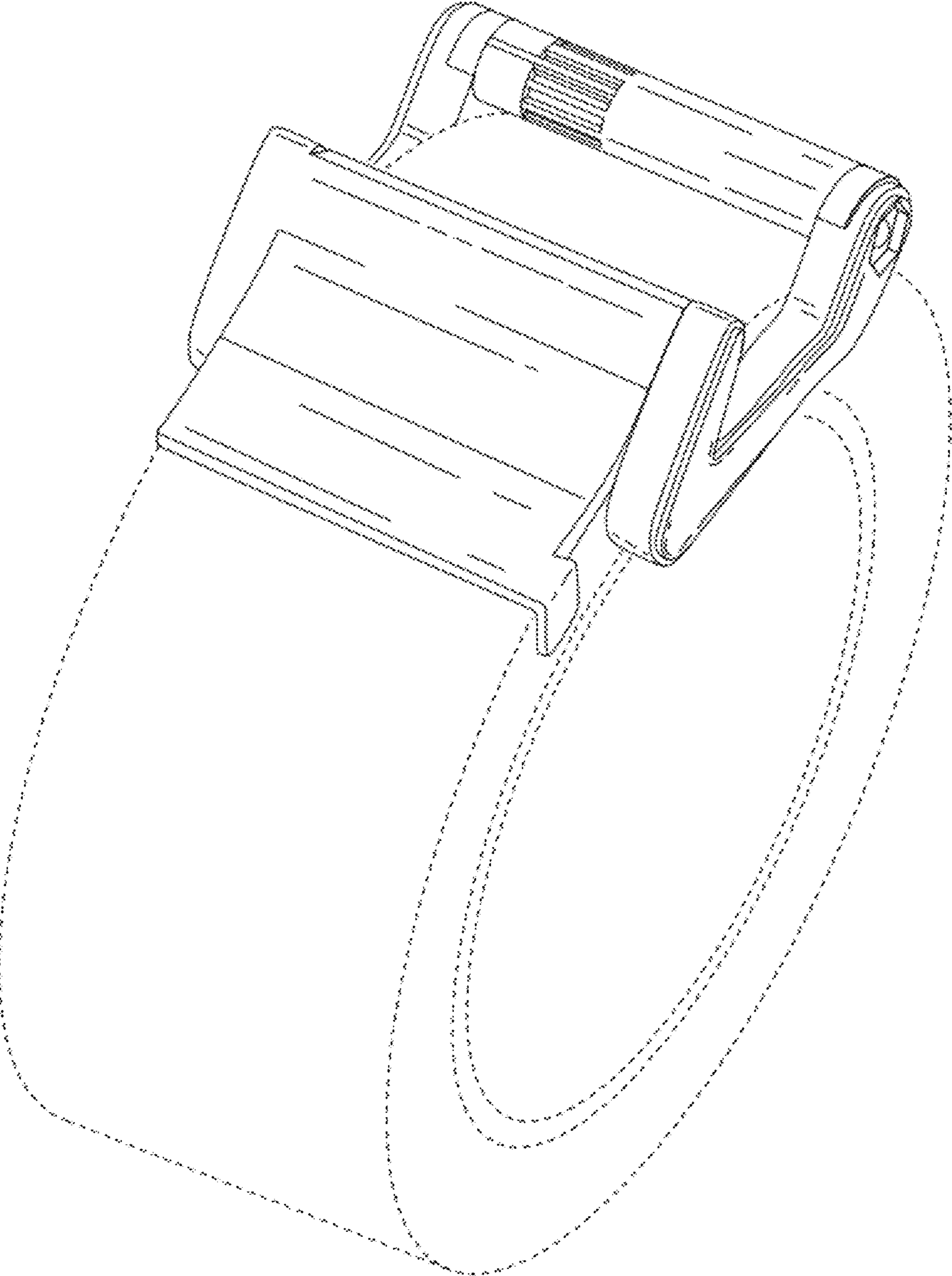


Fig. 8